



US00D754054S

(12) **United States Design Patent**  
**Sethapun et al.**

(10) **Patent No.:** **US D754,054 S**  
(45) **Date of Patent:** **\*\* Apr. 19, 2016**

(54) **GALLEY COOL STORAGE FOR AIRCRAFT**

(71) Applicant: **Gulfstream Aerospace Corporation,**  
Savannah, GA (US)

(72) Inventors: **Kevin Sethapun,** Savannah, GA (US);  
**Andrew Fulford,** Northville, MI (US);  
**Aram Kasparian,** Savannah, GA (US)

(73) Assignee: **Gulfstream Aerospace Corporation,**  
Savannah, GA (US)

(\*\*) Term: **14 Years**

(21) Appl. No.: **29/506,128**

(22) Filed: **Oct. 13, 2014**

(51) **LOC (10) Cl.** ..... **12-07**

(52) **U.S. Cl.**  
USPC ..... **D12/345**

(58) **Field of Classification Search**  
USPC ..... D6/336, 384, 653, 654, 665, 657, 663,  
D6/672, 573; D7/602, 603, 614; D12/319,  
D12/323, 325, 336, 345, 192, 423, 415, 416,  
D12/179, 180, 182; D21/436, 447, 448,  
D21/449, 453; D13/184; D15/81, 91  
CPC ..... B64C 13/04; B64D 11/0007; B64D  
11/0015; B64D 11/003; B64D 11/04; B64D  
2011/0046; B64D 11/0629; B64B 1/10  
See application file for complete search history.

(56) **References Cited**

U.S. PATENT DOCUMENTS

D324,965 S \* 3/1992 Nelsen ..... D6/663  
D340,700 S \* 10/1993 Shukur ..... D13/184  
D390,835 S \* 2/1998 Mayfield, III ..... D13/184  
D427,454 S \* 7/2000 Munch ..... D13/184  
D474,486 S \* 5/2003 Uihlein ..... D15/91  
D486,012 S \* 2/2004 Gray ..... D6/661.2  
D558,482 S \* 1/2008 Greiner ..... D6/663

D591,973 S \* 5/2009 Greiner ..... D6/663  
D611,398 S \* 3/2010 Tsuboi ..... D12/319  
D623,433 S \* 9/2010 Richardson ..... D6/663  
8,061,066 B2 \* 11/2011 Hong ..... D06F 58/10  
38/1 A  
D649,926 S \* 12/2011 Tan ..... D12/345  
D656,885 S \* 4/2012 Tan ..... D12/345  
D663,134 S \* 7/2012 Wu ..... D6/708  
D684,128 S \* 6/2013 Krietzman ..... D13/184  
D693,379 S \* 11/2013 Brenneis ..... D15/81  
D720,949 S \* 1/2015 Lehmann ..... D6/657  
D731,211 S \* 6/2015 Denby ..... D6/672  
D732,773 S \* 6/2015 Chung ..... D32/25  
D732,775 S \* 6/2015 Chung ..... D32/25  
D736,272 S \* 8/2015 Stolarz ..... D15/81  
2011/0215199 A1 \* 9/2011 Lee ..... B61D 37/00  
244/118.5  
2015/0251761 A1 \* 9/2015 Vandyke ..... F25D 3/125  
62/56

\* cited by examiner

*Primary Examiner* — Robert M Spear

*Assistant Examiner* — Marissa J Cash

(74) *Attorney, Agent, or Firm* — Ingrassia, Fisher & Lorenz  
PC

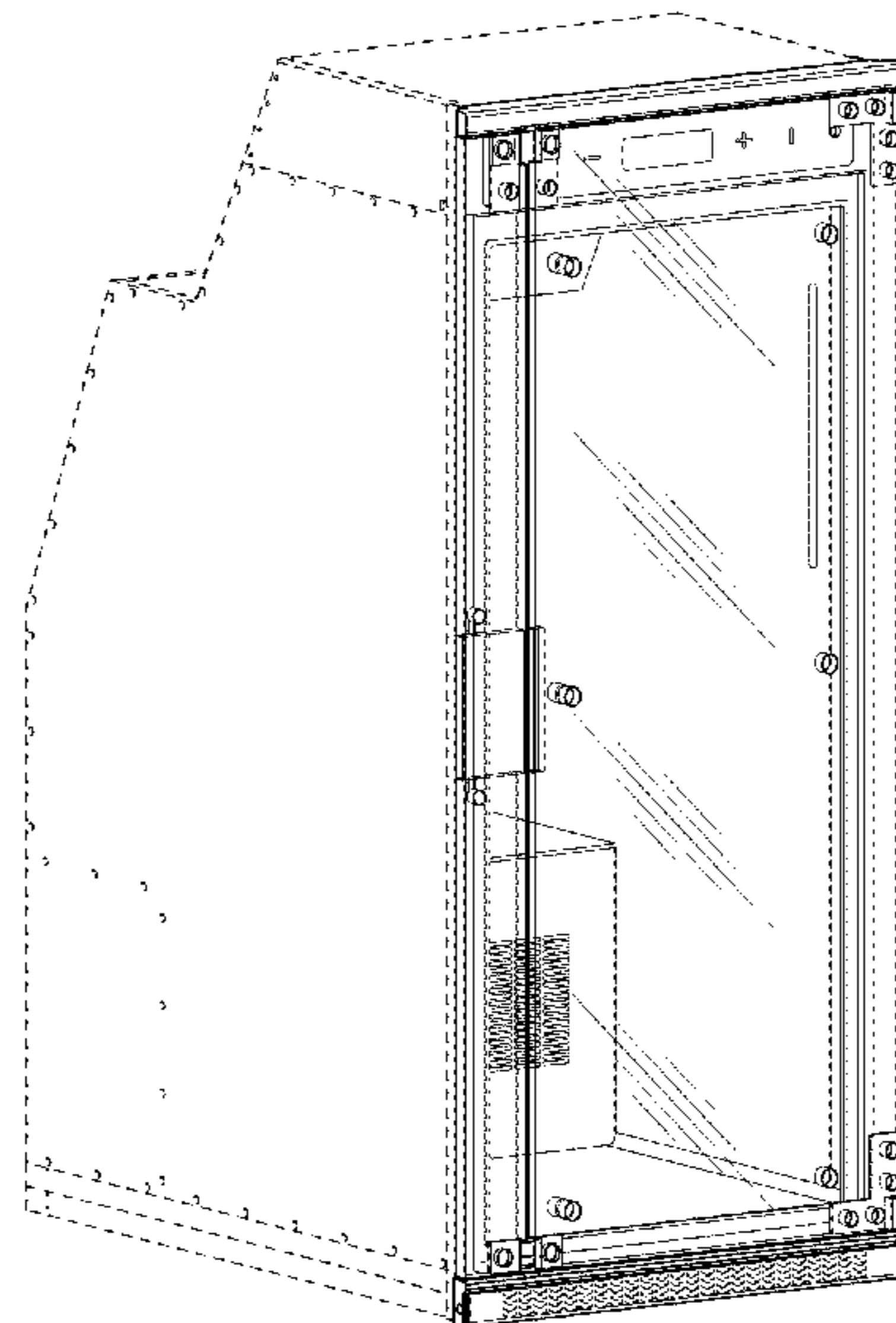
(57) **CLAIM**

The ornamental design for a galley cool storage for aircraft, as shown and described.

**DESCRIPTION**

FIG. 1 is a front perspective view of a galley cool storage for an aircraft showing our new design;  
FIG. 2 is a front view thereof, the back view forming no part of the claimed design;  
FIG. 3 is a first side view thereof;  
FIG. 4 is a second side view thereof;  
FIG. 5 is a bottom view thereof; and,  
FIG. 6 is a top view thereof.  
The broken lines illustrate structures and environment that form no part of the claimed design.

**1 Claim, 5 Drawing Sheets**



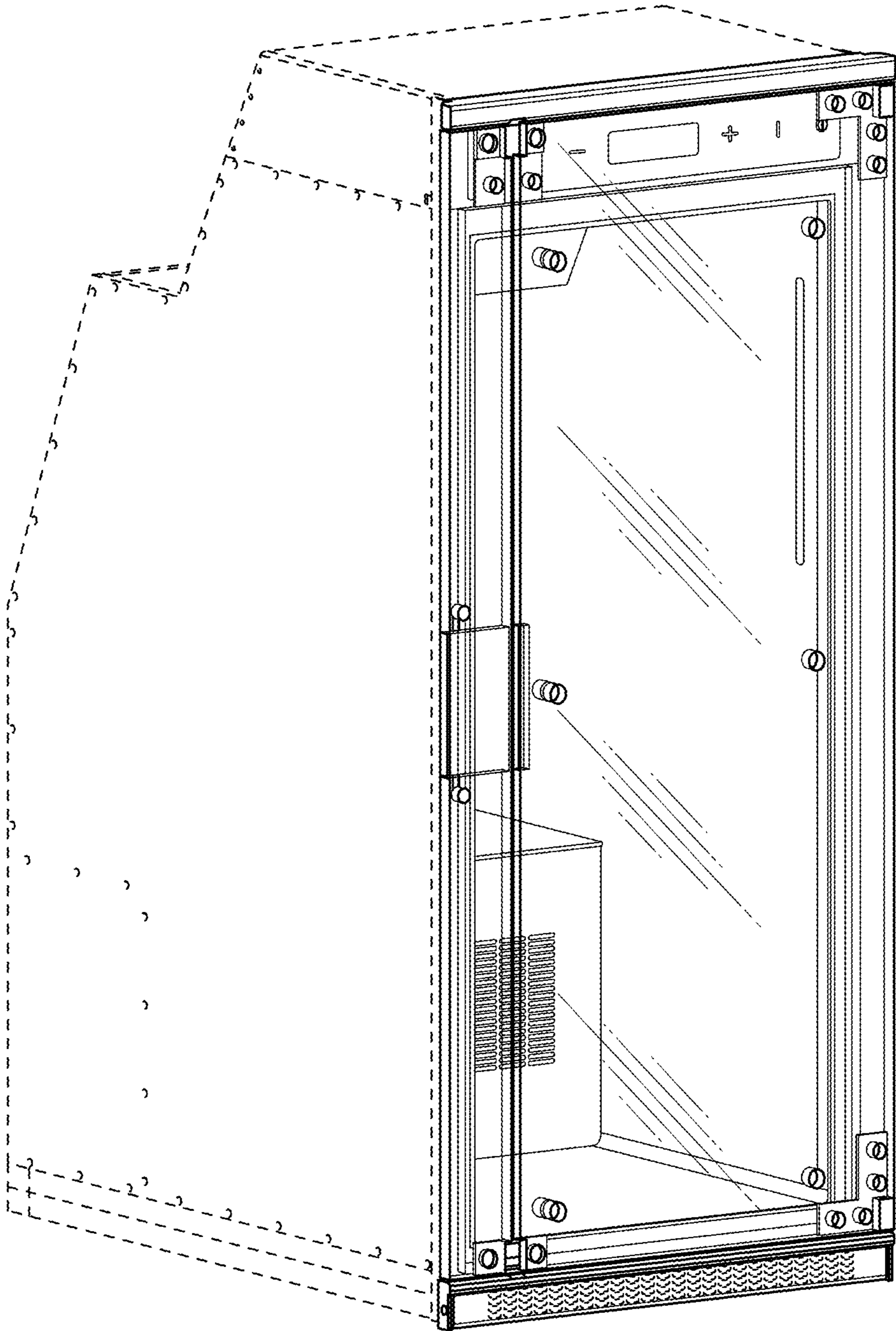


FIG. 1

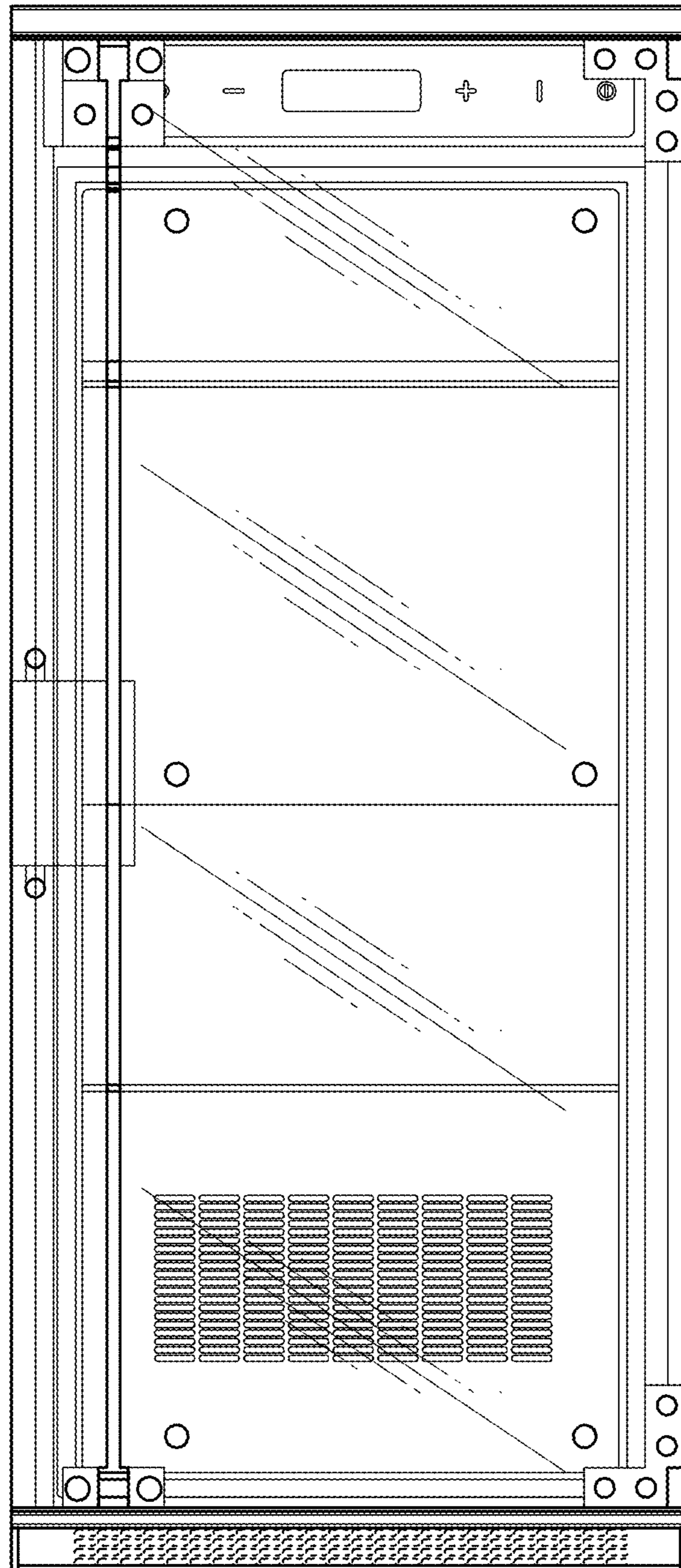


FIG. 2

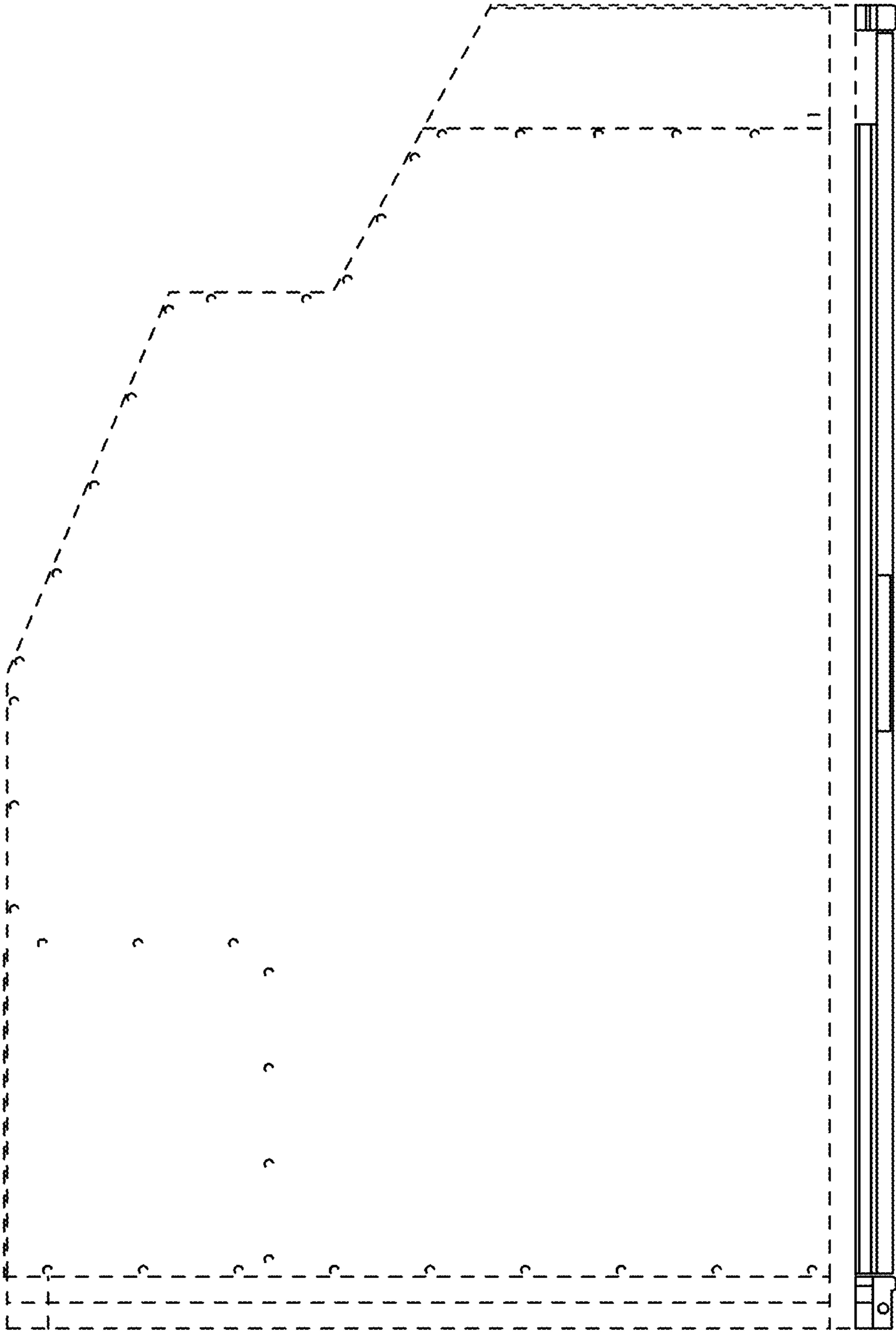


FIG. 3

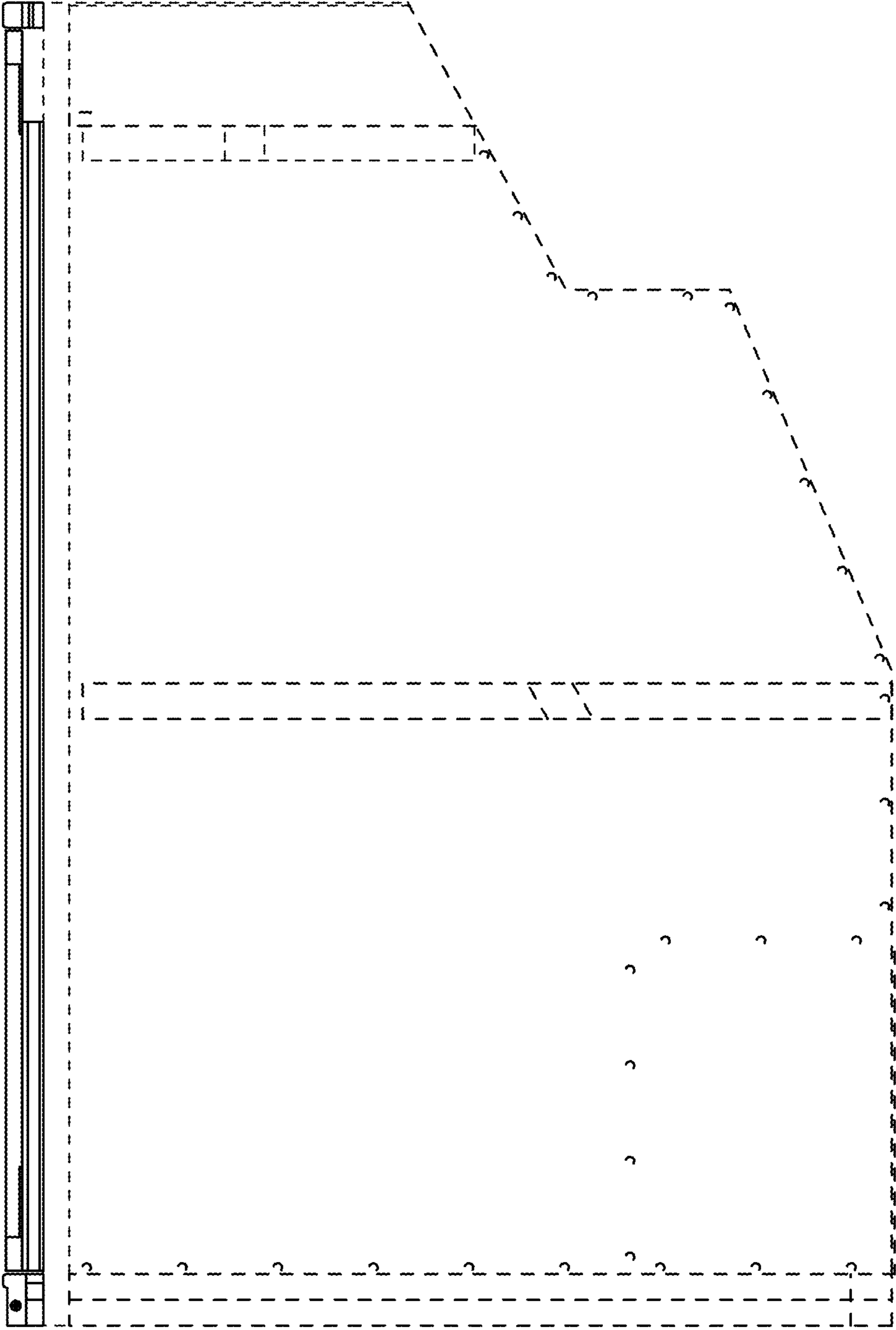


FIG. 4

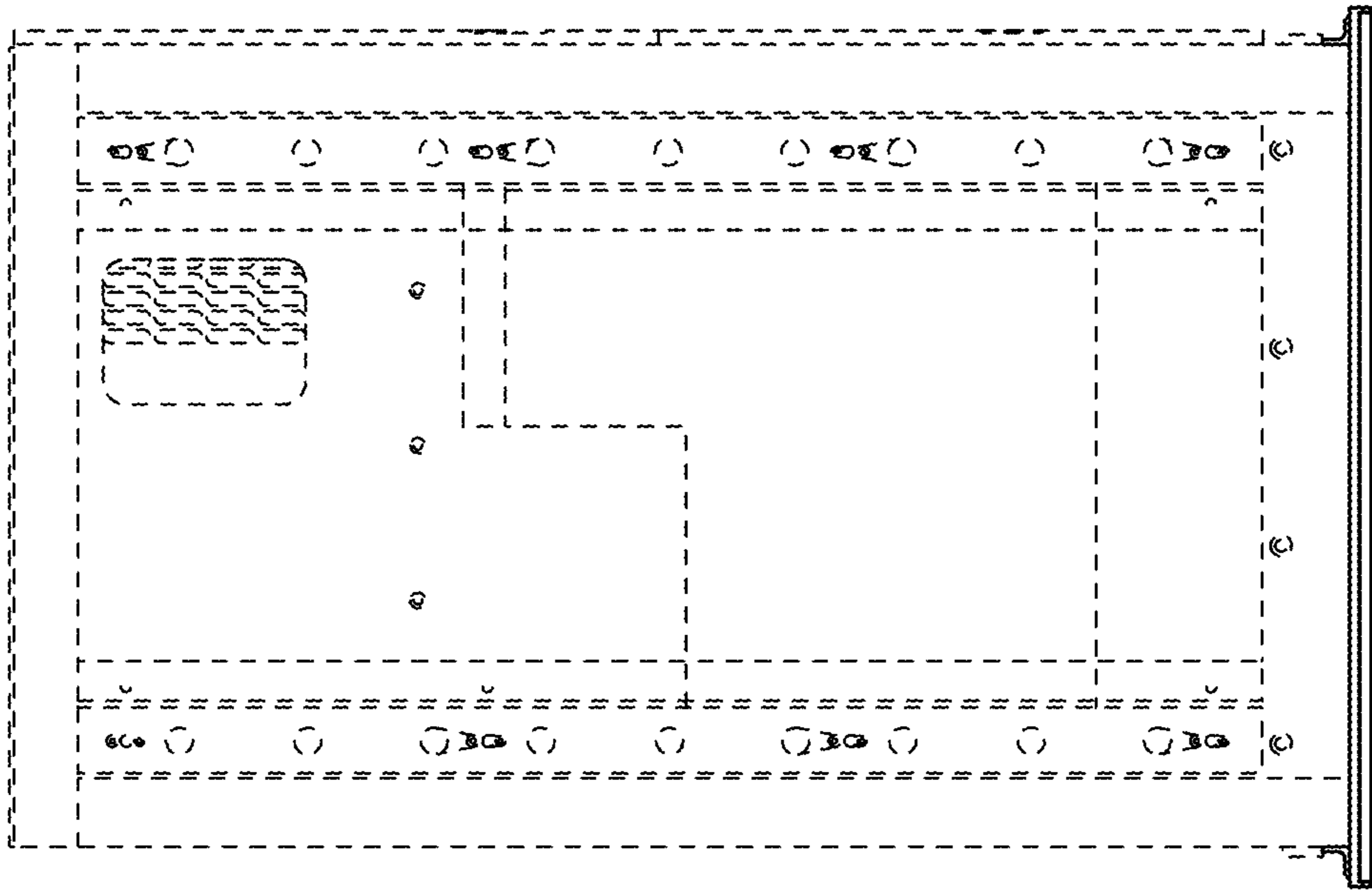


FIG. 6

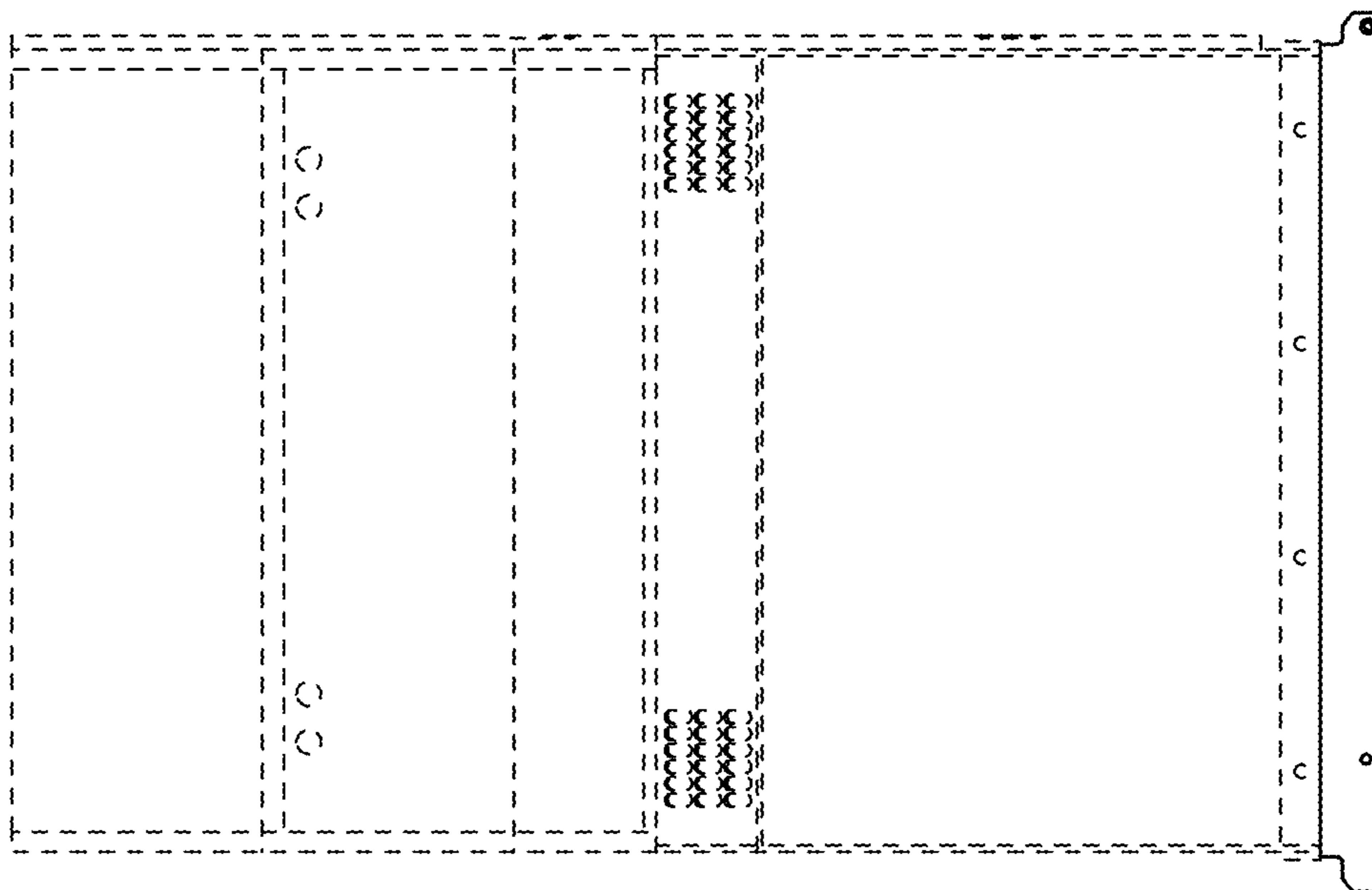


FIG. 5