



US00D754048S

(12) **United States Design Patent**
Starr, Jr.

(10) **Patent No.:** **US D754,048 S**

(45) **Date of Patent:** **** Apr. 19, 2016**

(54) **FRONT FACE OF A VEHICLE WHEEL**

(71) Applicant: **Ray Starr, Jr.**, Pompano Beach, FL (US)

(72) Inventor: **Ray Starr, Jr.**, Pompano Beach, FL (US)

(**) Term: **14 Years**

(21) Appl. No.: **29/516,087**

(22) Filed: **Jan. 29, 2015**

(51) **LOC (10) Cl.** **12-16**

(52) **U.S. Cl.**
USPC **D12/209**

(58) **Field of Classification Search**

USPC D12/204–213

CPC B60B 7/00; B60B 7/02; B60B 7/04;
B60B 7/01; B60B 7/06; B60B 3/02; B60B
3/04; B60B 3/06; B60B 3/10; B60B 1/00;
B60B 1/08; B60B 1/10; B60B 1/12

See application file for complete search history.

(56) **References Cited**

U.S. PATENT DOCUMENTS

D396,443 S *	7/1998	Neeper	D12/209
D408,344 S *	4/1999	Kelley	D12/209
D419,944 S *	2/2000	Chen	D12/209
D430,842 S *	9/2000	Chinellato	D12/209
D436,338 S *	1/2001	Hussaini	D12/209
D455,991 S *	4/2002	Kaucher	D12/209
D491,126 S *	6/2004	Rivers, Jr.	D12/209
D492,635 S *	7/2004	Mathis	D12/209
D493,132 S *	7/2004	Rivers, Jr.	D12/209

D616,799 S *	6/2010	Zhao	D12/209
D678,157 S *	3/2013	Perini	D12/209
D695,185 S *	12/2013	Juergens	D12/209
D695,669 S *	12/2013	Pollmann	D12/209
D695,670 S *	12/2013	De Bono	D12/209
D697,005 S *	1/2014	Juergens	D12/209
D697,012 S *	1/2014	Starr, Jr.	D12/209
D697,467 S *	1/2014	Pollmann	D12/209
D700,566 S *	3/2014	Ichikawa	D12/209
D714,206 S *	9/2014	Starr, Jr.	D12/209
D715,209 S *	10/2014	Tovey	D12/209
D719,892 S *	12/2014	Hodges	D12/209
D723,445 S *	3/2015	Hodges	D12/209
D725,568 S *	3/2015	Hodges	D12/209
D725,569 S *	3/2015	Komukai	D12/209
D738,280 S *	9/2015	Hale	D12/209
D740,196 S *	10/2015	Valencia Pollex	D12/209

* cited by examiner

Primary Examiner — Stacia Cadmus

(74) *Attorney, Agent, or Firm* — Harpman & Harpman

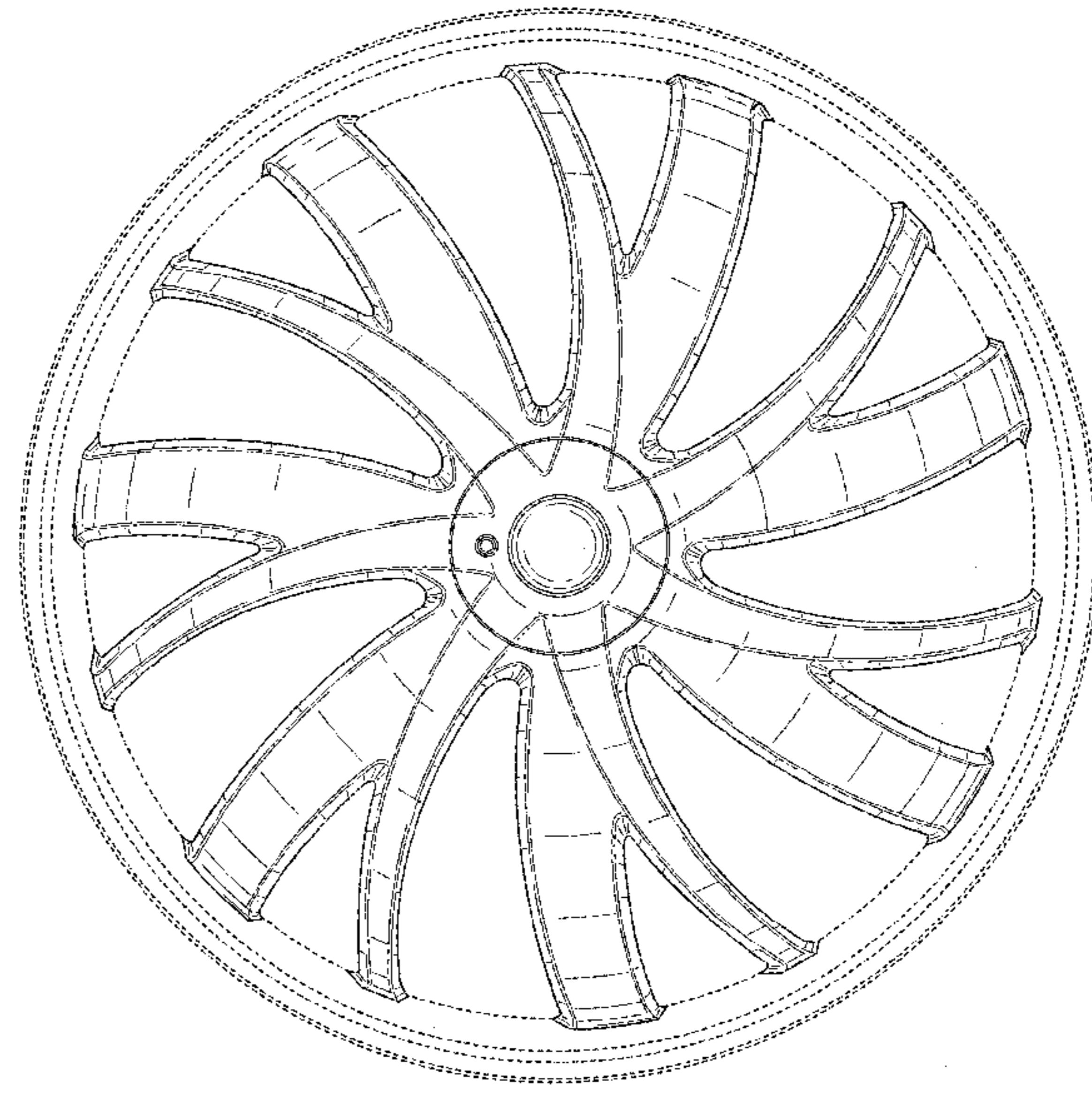
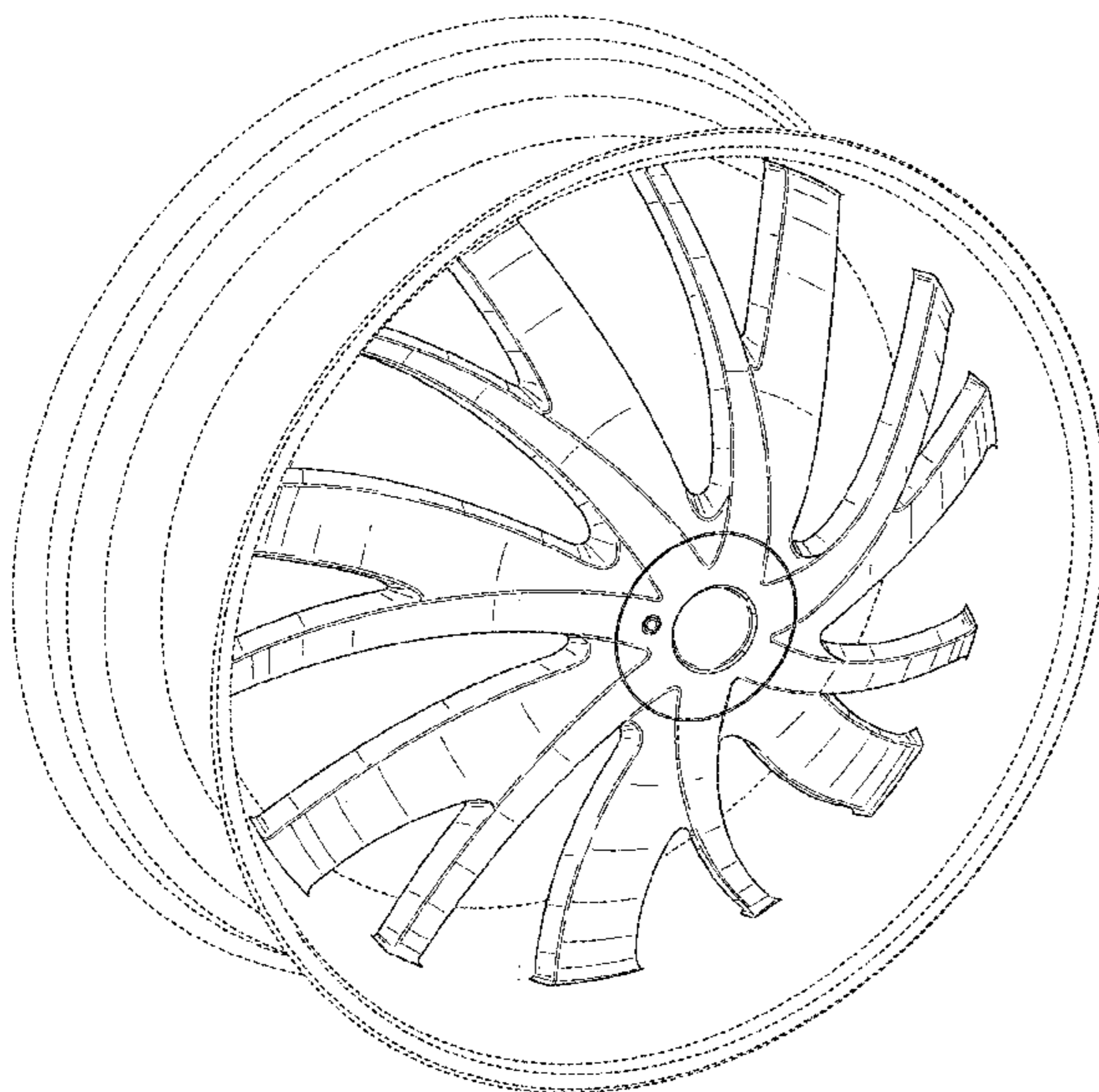
(57) **CLAIM**

The ornamental design for a front face of a vehicle wheel, as shown and described.

DESCRIPTION

FIG. 1 is a perspective view of the front face of the wheel according to the present invention; and, FIG. 2 is a front elevational view thereof. The broken line showing the environment is for illustration purposes and forms no part of the claimed design.

1 Claim, 2 Drawing Sheets



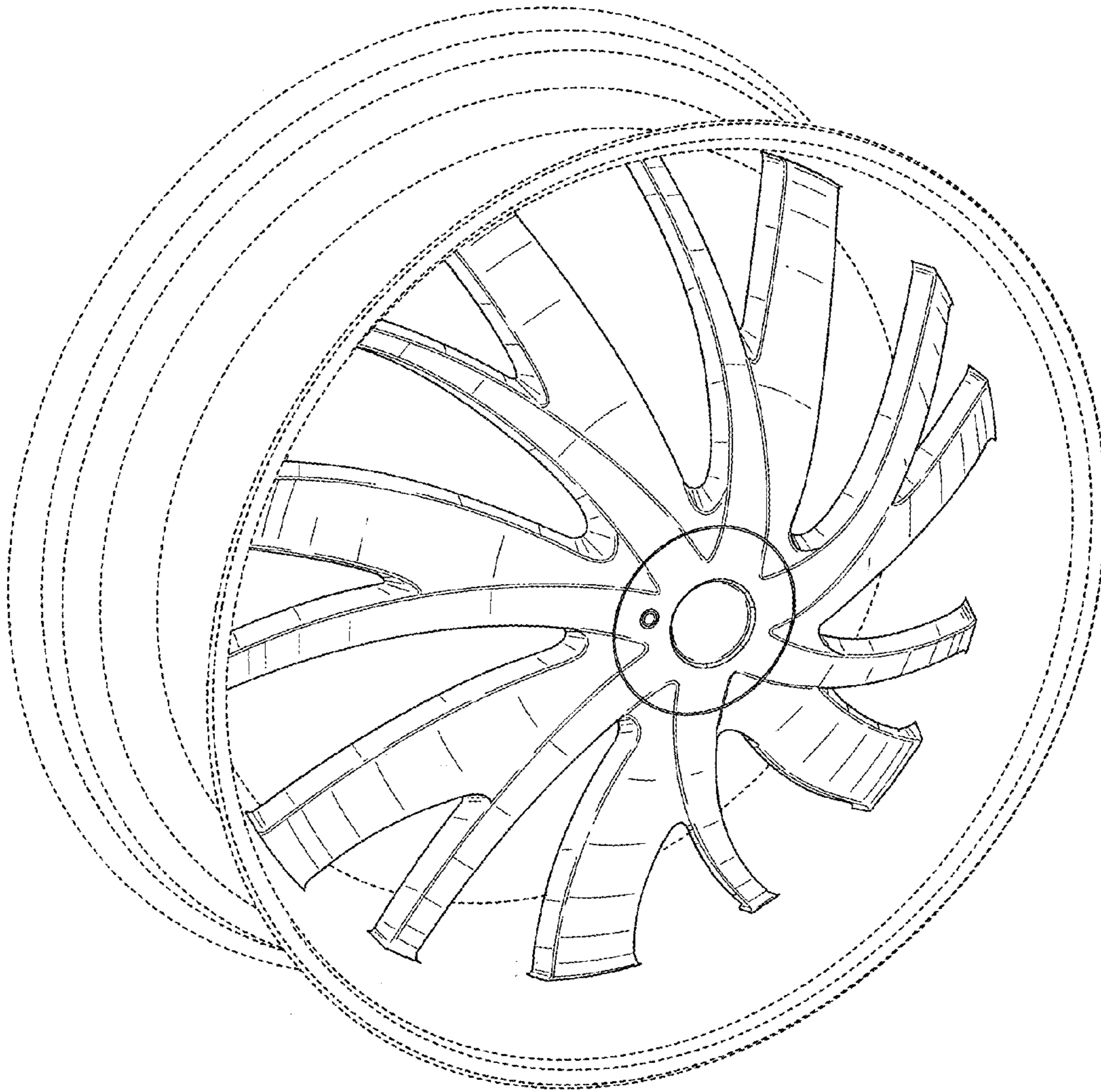


FIG. 1

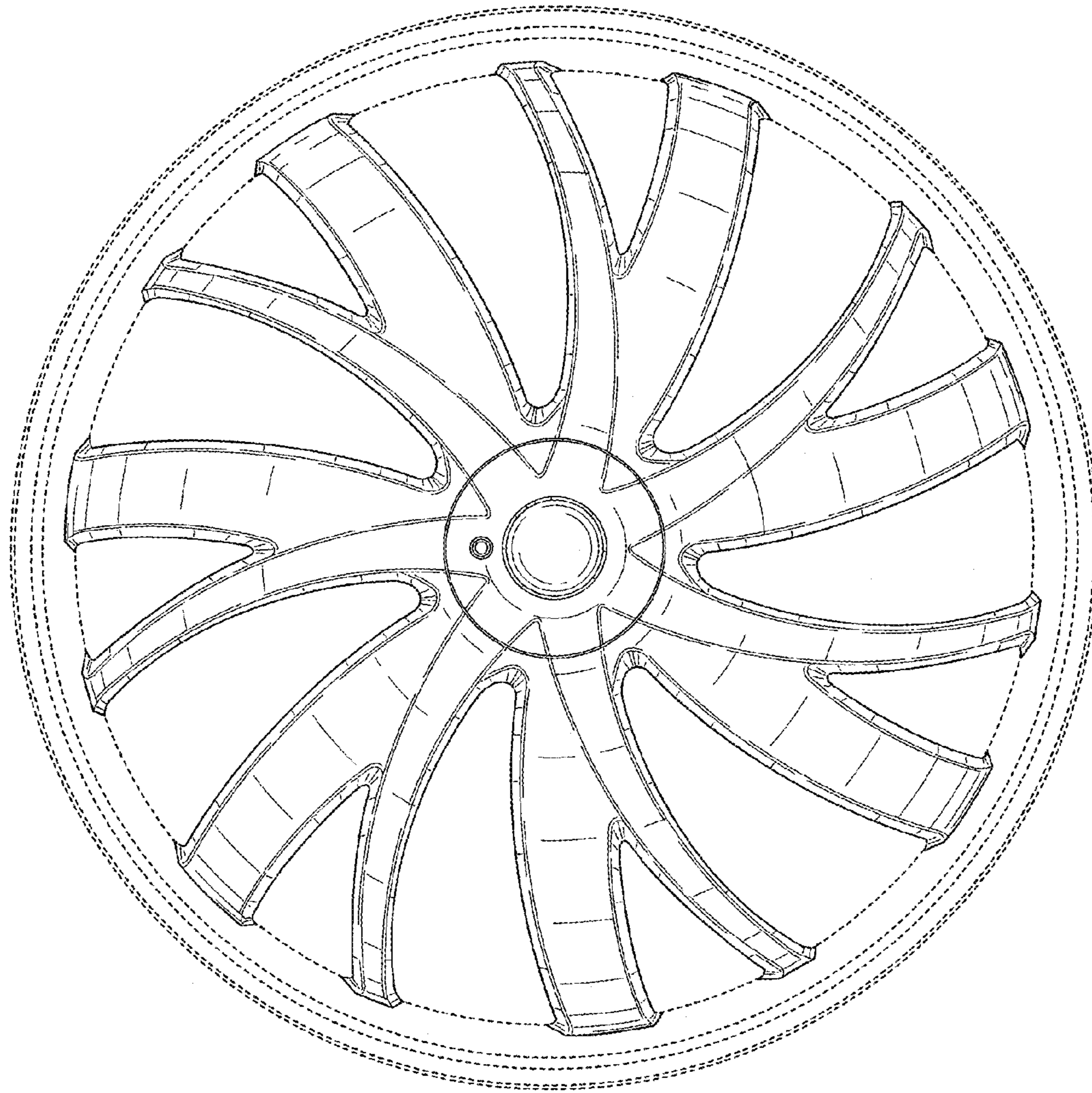


FIG. 2