



US00D754046S

(12) **United States Design Patent**  
**Chung**

(10) **Patent No.:** **US D754,046 S**

(45) **Date of Patent:** **\*\* Apr. 19, 2016**

(54) **WHEEL**

(71) Applicant: **Wheel Pros, LLC**, Lakewood, CO (US)

(72) Inventor: **Suny Chung**, Yorba Linda, CA (US)

(73) Assignee: **Wheel Pros, LLC.**, Greenwood Village, CO (US)

(\*\*) Term: **14 Years**

(21) Appl. No.: **29/476,323**

(22) Filed: **Dec. 12, 2013**

**Related U.S. Application Data**

(62) Division of application No. 29/435,797, filed on Oct. 29, 2012, now Pat. No. Des. 702,172.

(51) **LOC (10) Cl.** ..... **12-16**

(52) **U.S. Cl.**  
USPC ..... **D12/209**

(58) **Field of Classification Search**  
USPC ..... D12/204–213  
CPC ..... B60B 7/00; B60B 7/02; B60B 7/04;  
B60B 7/01; B60B 7/06; B60B 3/02; B60B  
3/04; B60B 3/06; B60B 3/10; B60B 1/00;  
B60B 1/08; B60B 1/10; B60B 1/12  
See application file for complete search history.

(56) **References Cited**

**U.S. PATENT DOCUMENTS**

D526,265 S \* 8/2006 Muzzarelli ..... D12/209  
D527,327 S \* 8/2006 Laengerer ..... D12/211

D554,036 S \* 10/2007 Chung ..... D12/209  
D571,274 S \* 6/2008 Chung ..... D12/209  
D584,673 S \* 1/2009 Chung ..... D12/209  
D613,658 S \* 4/2010 Cortes ..... D12/209  
D649,107 S \* 11/2011 Hale, Jr. .... D12/211  
D675,971 S \* 2/2013 Lee ..... D12/209  
D678,156 S \* 3/2013 Gotschke ..... D12/209  
D680,047 S \* 4/2013 Hale, Jr. .... D12/209  
D682,762 S \* 5/2013 Hale, Jr. .... D12/209  
D695,182 S \* 12/2013 Chung ..... D12/209  
D701,480 S \* 3/2014 Kong ..... D12/209  
D714,707 S \* 10/2014 Chung ..... D12/211  
D715,211 S \* 10/2014 Gotschke et al. .... D12/211  
D715,717 S \* 10/2014 Hodges ..... D12/209  
D719,890 S \* 12/2014 Johnson ..... D12/209  
D719,893 S \* 12/2014 Kim ..... D12/211

\* cited by examiner

*Primary Examiner* — Stacia Cadmus

(74) *Attorney, Agent, or Firm* — Garcia-Zamor IP Law; Ruy M. Garcia-Zamor

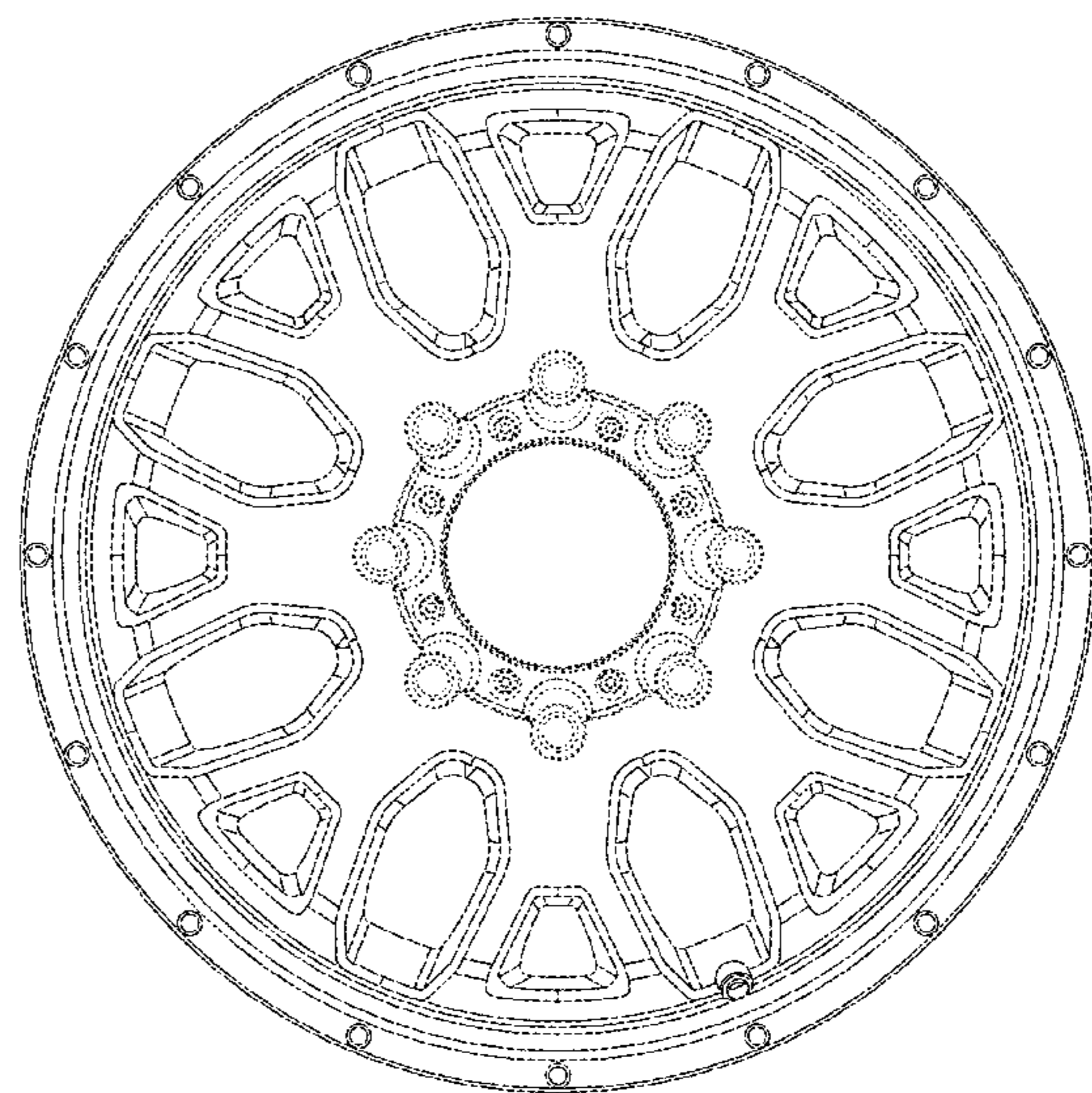
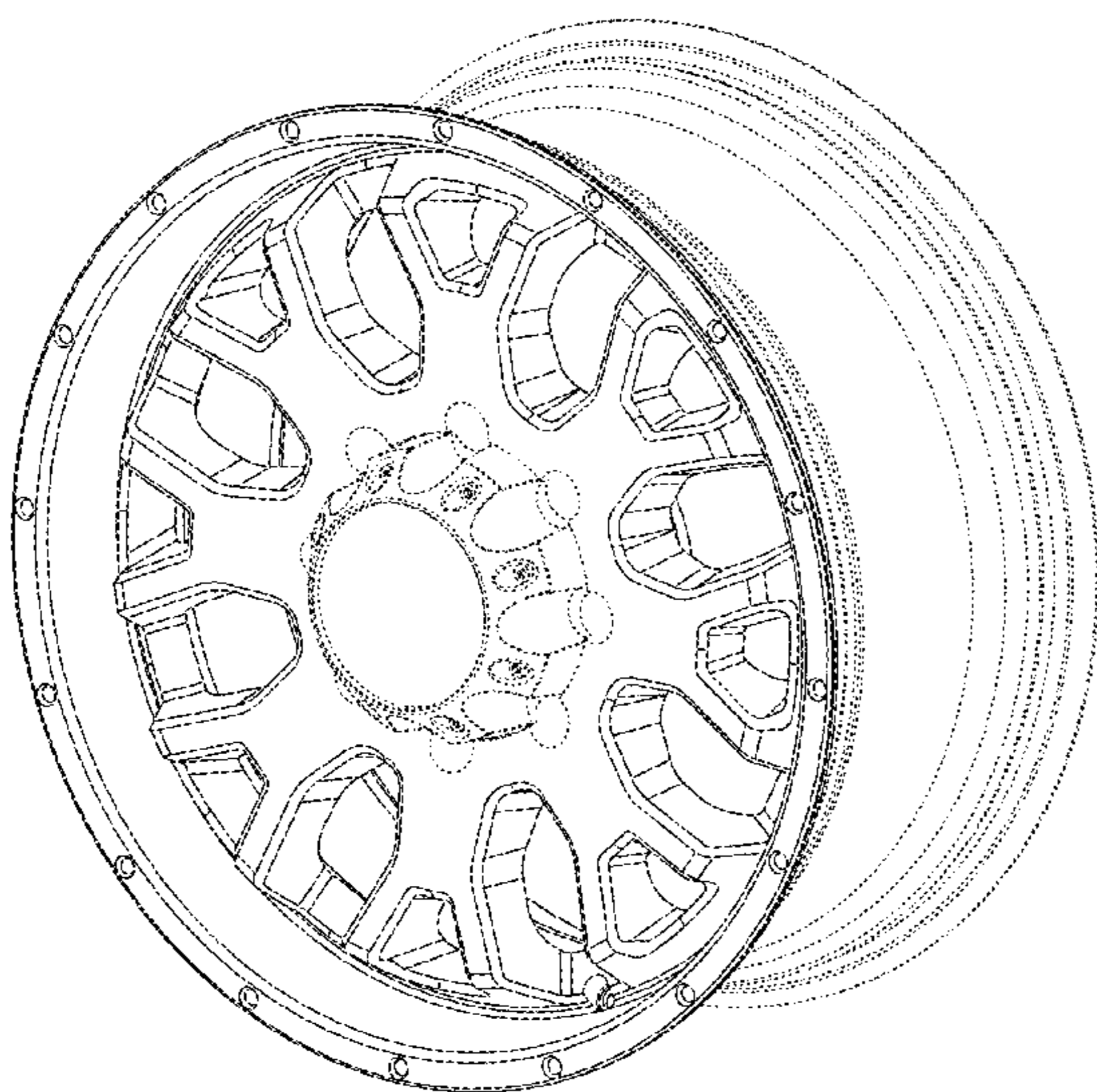
(57) **CLAIM**

The ornamental design for a wheel, as shown and described.

**DESCRIPTION**

FIG. 1 is a perspective view of a wheel showing my new design; and,  
FIG. 2 is a front view thereof.  
The broken line showing of the rear portion of the rim, the bolt holes and the center cap in the central hub area is included for the purpose of illustrating environment and forms no part of the claimed design.

**1 Claim, 2 Drawing Sheets**



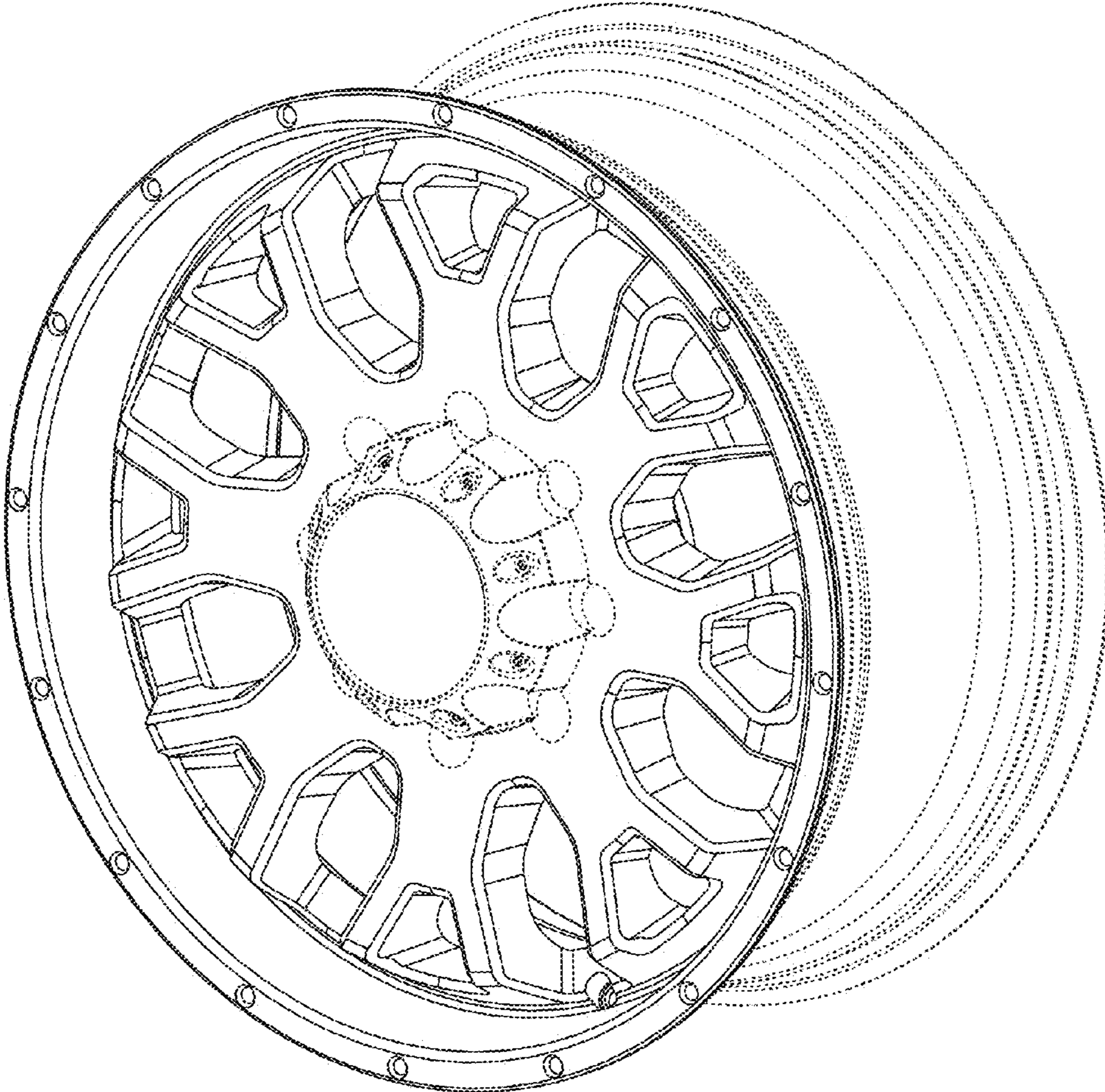


FIG. 1



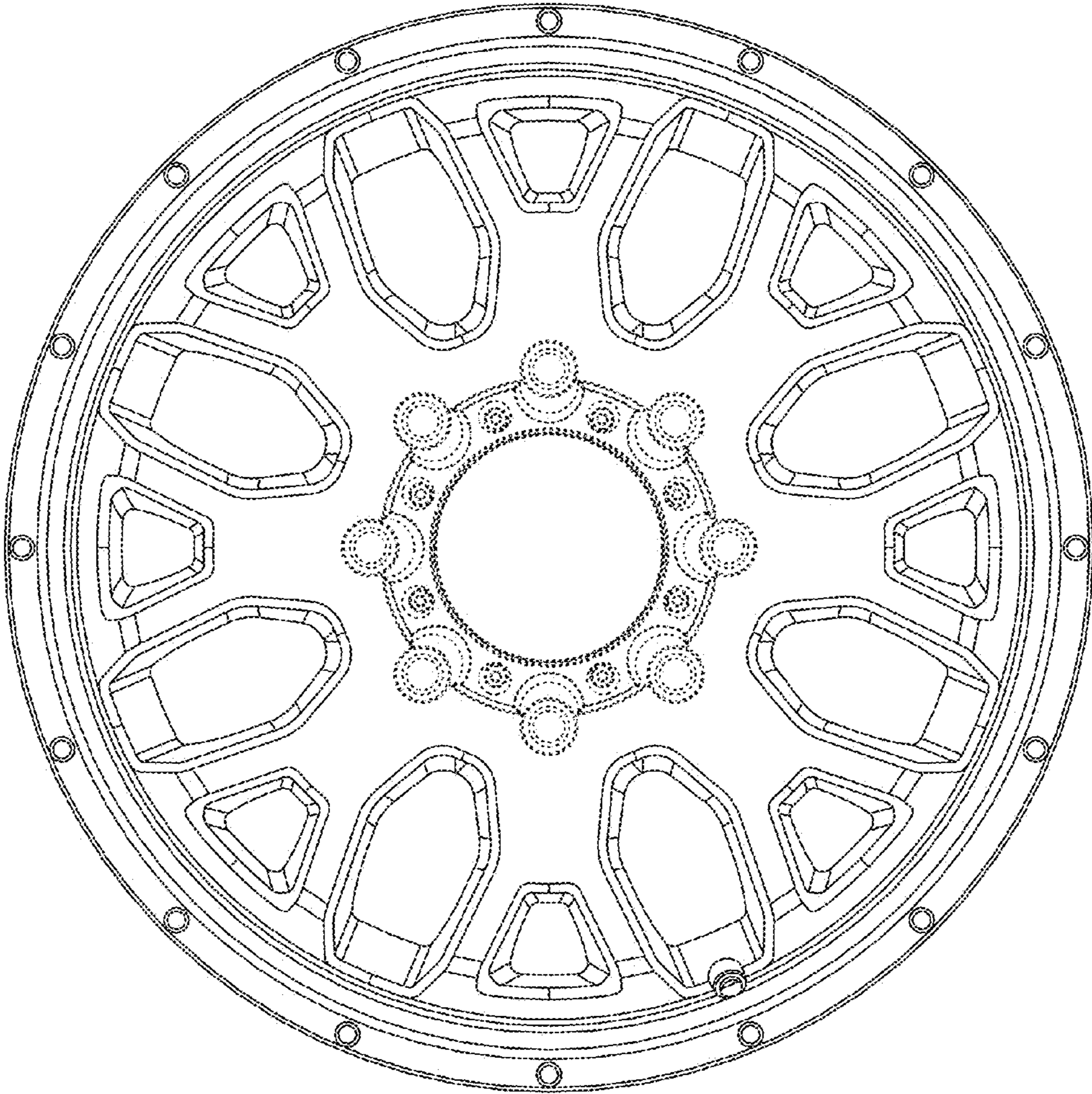


FIG. 2