



US00D754045S

(12) **United States Design Patent**  
**Chung**

(10) **Patent No.:** **US D754,045 S**

(45) **Date of Patent:** **\*\* \*Apr. 19, 2016**

(54) **WHEEL**

(71) Applicant: **Wheel Pros, LLC**, Lakewood, CO (US)

(72) Inventor: **Suny Chung**, Yorba Linda, CA (US)

(73) Assignee: **Wheel Pros, LLC**, Greenwood Village, CO (US)

(\*) Notice: This patent is subject to a terminal disclaimer.

(\*\*) Term: **14 Years**

(21) Appl. No.: **29/476,318**

(22) Filed: **Dec. 12, 2013**

**Related U.S. Application Data**

(62) Division of application No. 29/435,797, filed on Oct. 29, 2012, now Pat. No. Des. 702,172.

(51) **LOC (10) Cl.** ..... **12-16**

(52) **U.S. Cl.**  
USPC ..... **D12/209**

(58) **Field of Classification Search**  
USPC ..... D12/204–213  
CPC ..... B60B 7/00; B60B 7/02; B60B 7/04;  
B60B 7/01; B60B 7/06; B60B 3/02; B60B  
3/04; B60B 3/06; B60B 3/10; B60B 1/00;  
B60B 1/08; B60B 1/10; B60B 1/12  
See application file for complete search history.

(56) **References Cited**

**U.S. PATENT DOCUMENTS**

D526,265 S \* 8/2006 Muzzarelli ..... D12/209  
D527,327 S \* 8/2006 Laengerer ..... D12/211

|              |         |           |       |         |
|--------------|---------|-----------|-------|---------|
| D554,036 S * | 10/2007 | Chung     | ..... | D12/209 |
| D571,274 S * | 6/2008  | Chung     | ..... | D12/209 |
| D584,673 S * | 1/2009  | Chung     | ..... | D12/209 |
| D613,658 S * | 4/2010  | Cortes    | ..... | D12/209 |
| D649,107 S * | 11/2011 | Hale, Jr. | ..... | D12/211 |
| D675,971 S * | 2/2013  | Lee       | ..... | D12/209 |
| D678,156 S * | 3/2013  | Gotschke  | ..... | D12/209 |
| D680,047 S * | 4/2013  | Hale, Jr. | ..... | D12/209 |
| D682,762 S * | 5/2013  | Hale, Jr. | ..... | D12/209 |
| D695,182 S * | 12/2013 | Chung     | ..... | D12/209 |
| D701,480 S * | 3/2014  | Kong      | ..... | D12/209 |
| D715,211 S * | 10/2014 | Gotschke  | ..... | D12/204 |
| D715,717 S * | 10/2014 | Hodges    | ..... | D12/209 |
| D719,890 S * | 12/2014 | Johnson   | ..... | D12/209 |
| D719,893 S * | 12/2014 | Kim       | ..... | D12/211 |

\* cited by examiner

*Primary Examiner* — Stacia Cadmus

(74) *Attorney, Agent, or Firm* — Garcia-Zamor IP Law; Ruy M. Garcia-Zamor

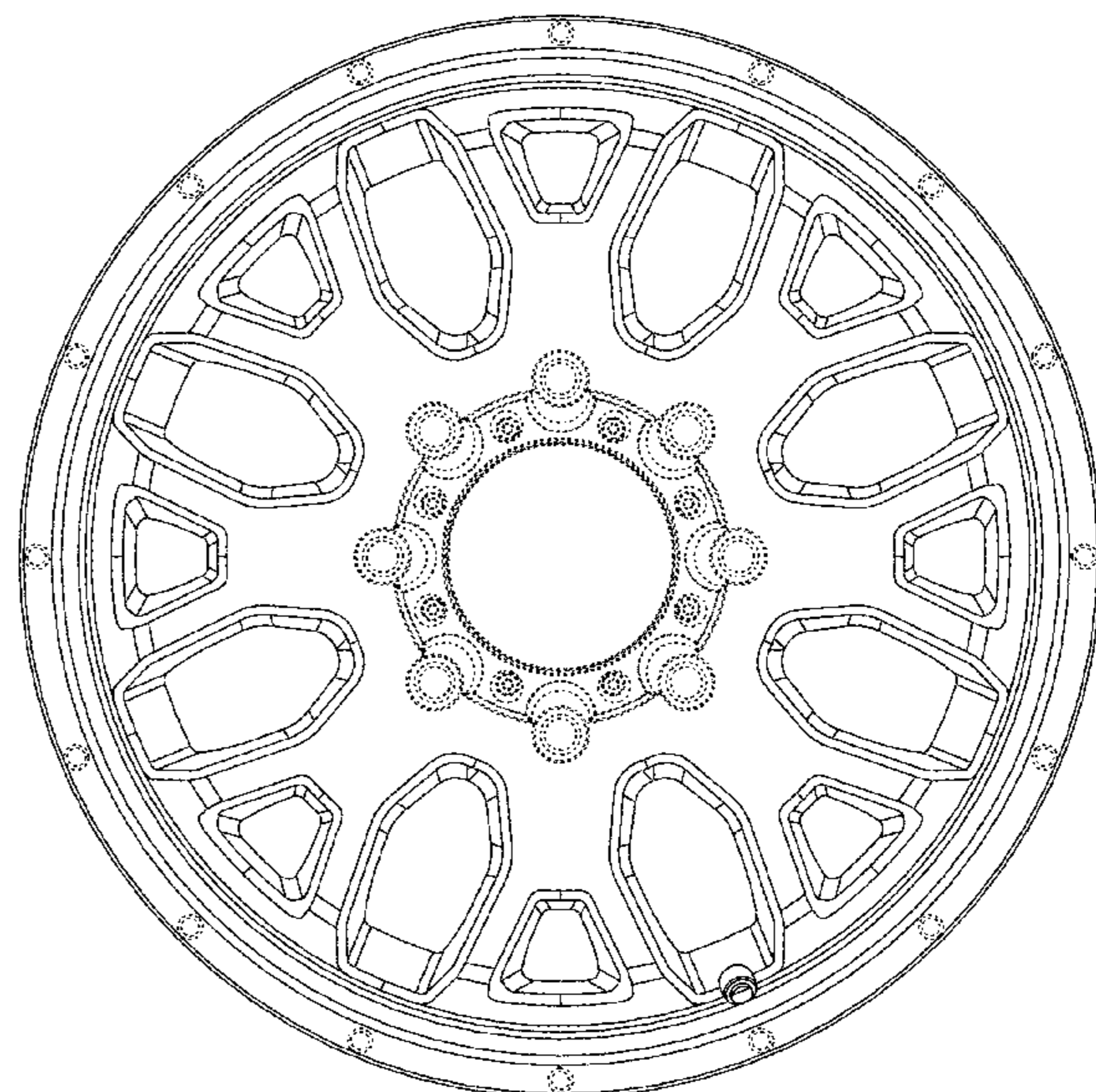
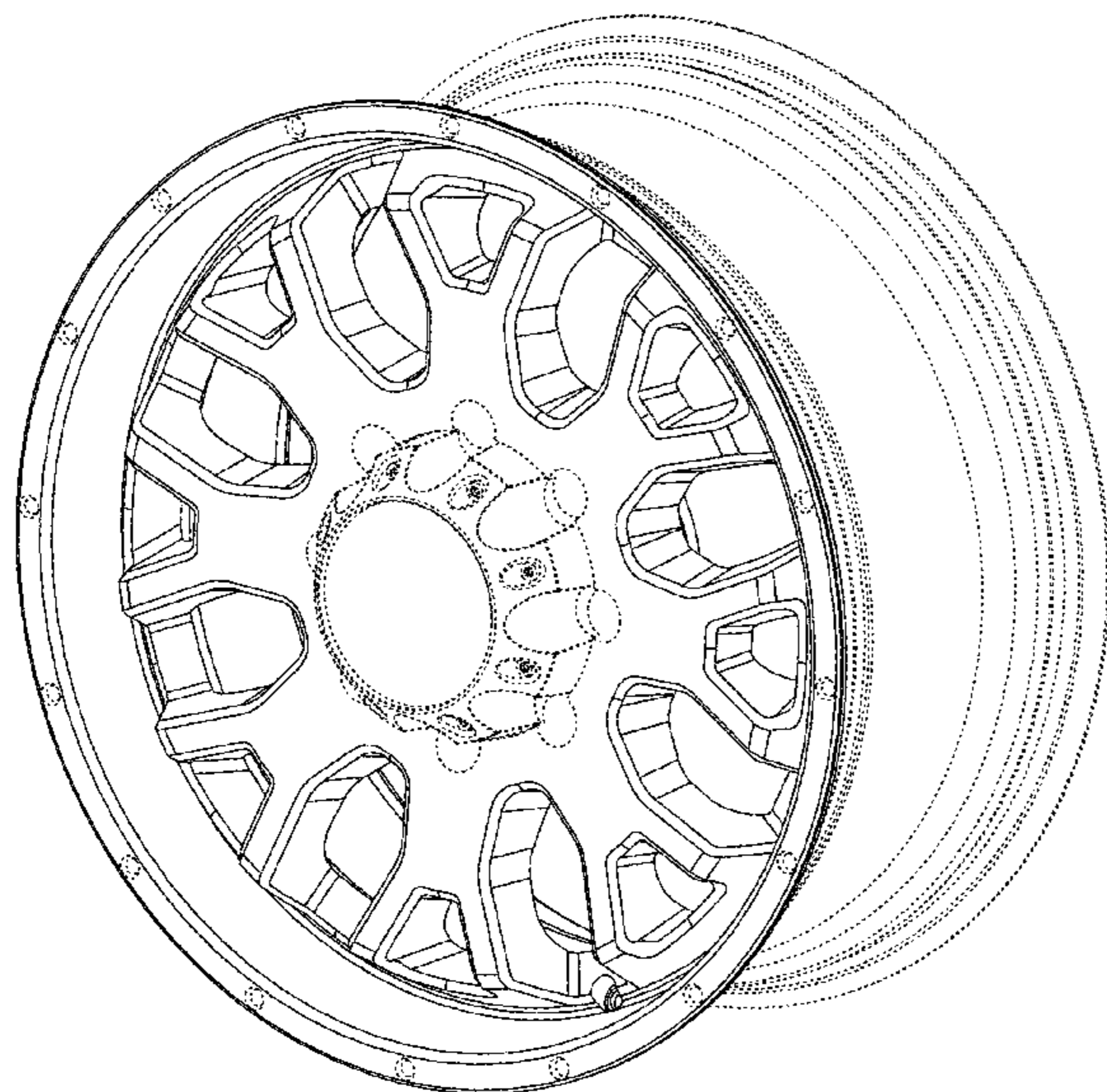
(57) **CLAIM**

The ornamental design for a wheel, as shown and described.

**DESCRIPTION**

FIG. 1 is a perspective view of a wheel showing my new design; and, FIG. 2 is a front elevational view of the wheel of FIG. 1, those features not shown in the views of FIGS. 1 and 2 are disclaimed as forming no part of the claimed design. The broken line showing of the rear portion of the rim, the central hub area, center cap, and the round elements around the lip of the rim is included for the purpose of illustrating environment and forms no part of the claimed design.

**1 Claim, 2 Drawing Sheets**



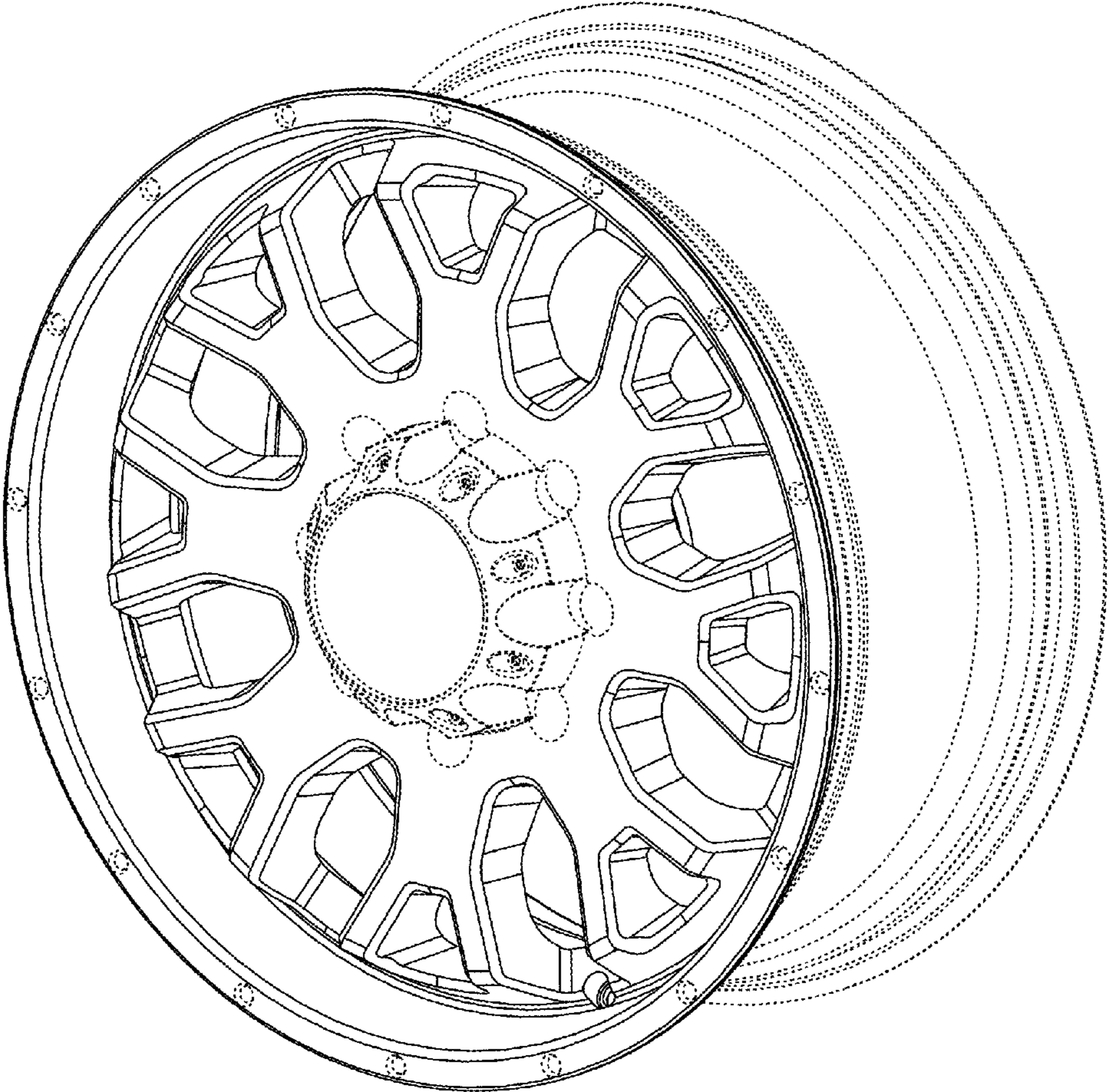


FIG. 1

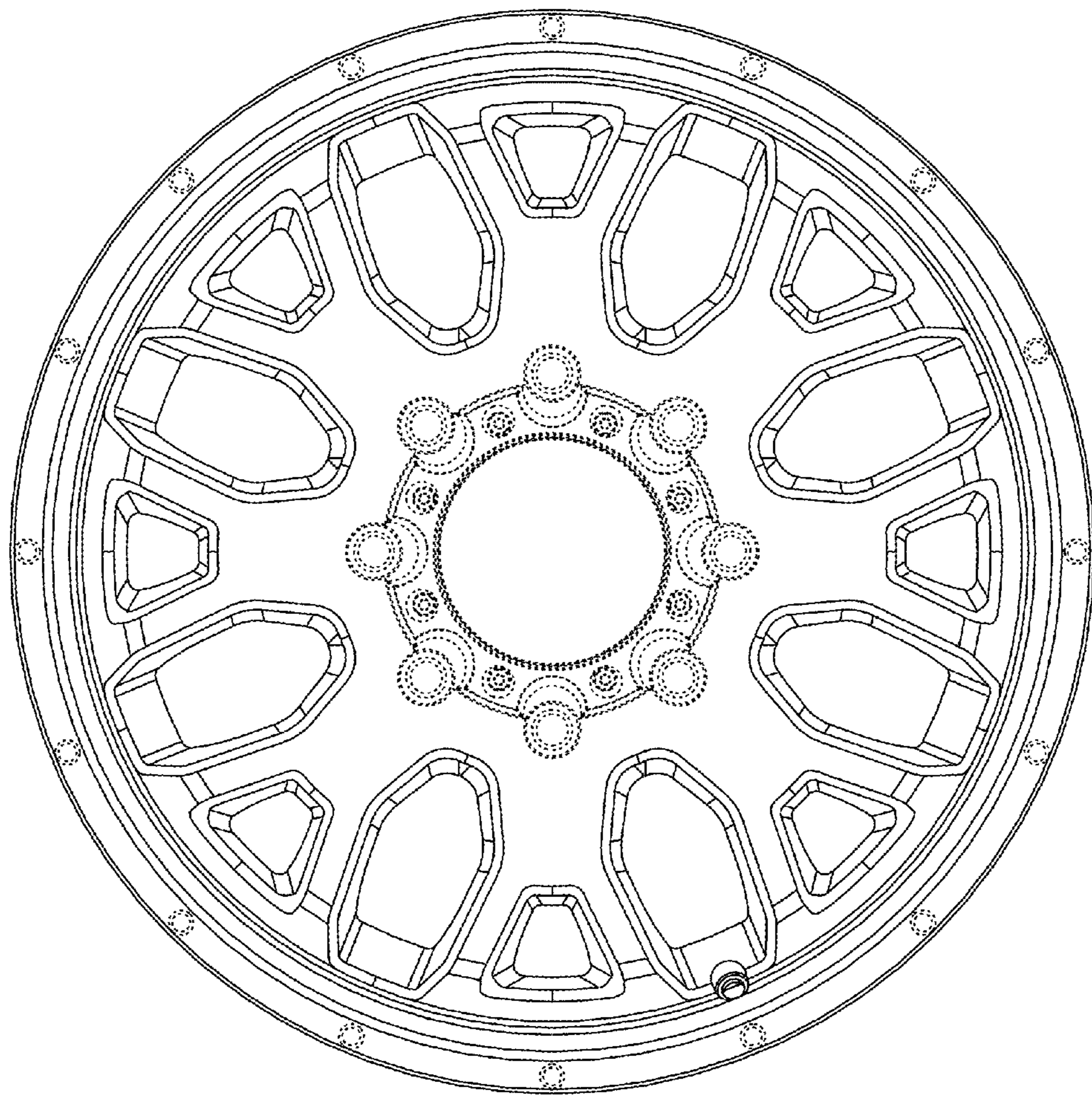


FIG. 2