



US00D754042S

(12) **United States Design Patent**
Pennington

(10) **Patent No.:** **US D754,042 S**

(45) **Date of Patent:** **** Apr. 19, 2016**

(54) **WIND RESTRICTING DEVICE DESIGN**

(71) Applicant: **King Penn Industries, Inc.**, Dallas, TX
(US)

(72) Inventor: **Stephen Pennington**, Dallas, TX (US)

(73) Assignee: **King Penn Industries, Inc.**, Dallas, TX
(US)

(**) Term: **14 Years**

(21) Appl. No.: **29/498,183**

(22) Filed: **Jul. 31, 2014**

Related U.S. Application Data

(63) Continuation-in-part of application No. 14/257,326,
filed on Apr. 21, 2014.

(51) **LOC (10) Cl.** **12-08**

(52) **U.S. Cl.**
USPC **D12/181**

(58) **Field of Classification Search**
USPC D12/181, 191, 196, 400, 190, 88
CPC B60R 13/02; B60R 13/04
See application file for complete search history.

(56) **References Cited**

U.S. PATENT DOCUMENTS

D699,647 S * 2/2014 Jensen D12/181
D705,141 S * 5/2014 Jensen D12/181
D711,298 S * 8/2014 Jamieson D12/181

D716,204 S * 10/2014 Butterworth D12/181
D726,095 S * 4/2015 Simecek D12/181
D726,608 S * 4/2015 Curic D12/181
D726,609 S * 4/2015 Curic D12/181
D729,711 S * 5/2015 Chen D12/181

* cited by examiner

Primary Examiner — Katrina A Betton

(74) *Attorney, Agent, or Firm* — Winstead PC

(57) **CLAIM**

The ornamental design for a wind restricting device design, as shown and described.

DESCRIPTION

FIG. 1, according to an embodiment of the present invention, is an illustration of the front perspective view of the wind restricting device.

FIG. 2, according to an embodiment of the present invention, is an illustration of the rear perspective view of the wind restricting device.

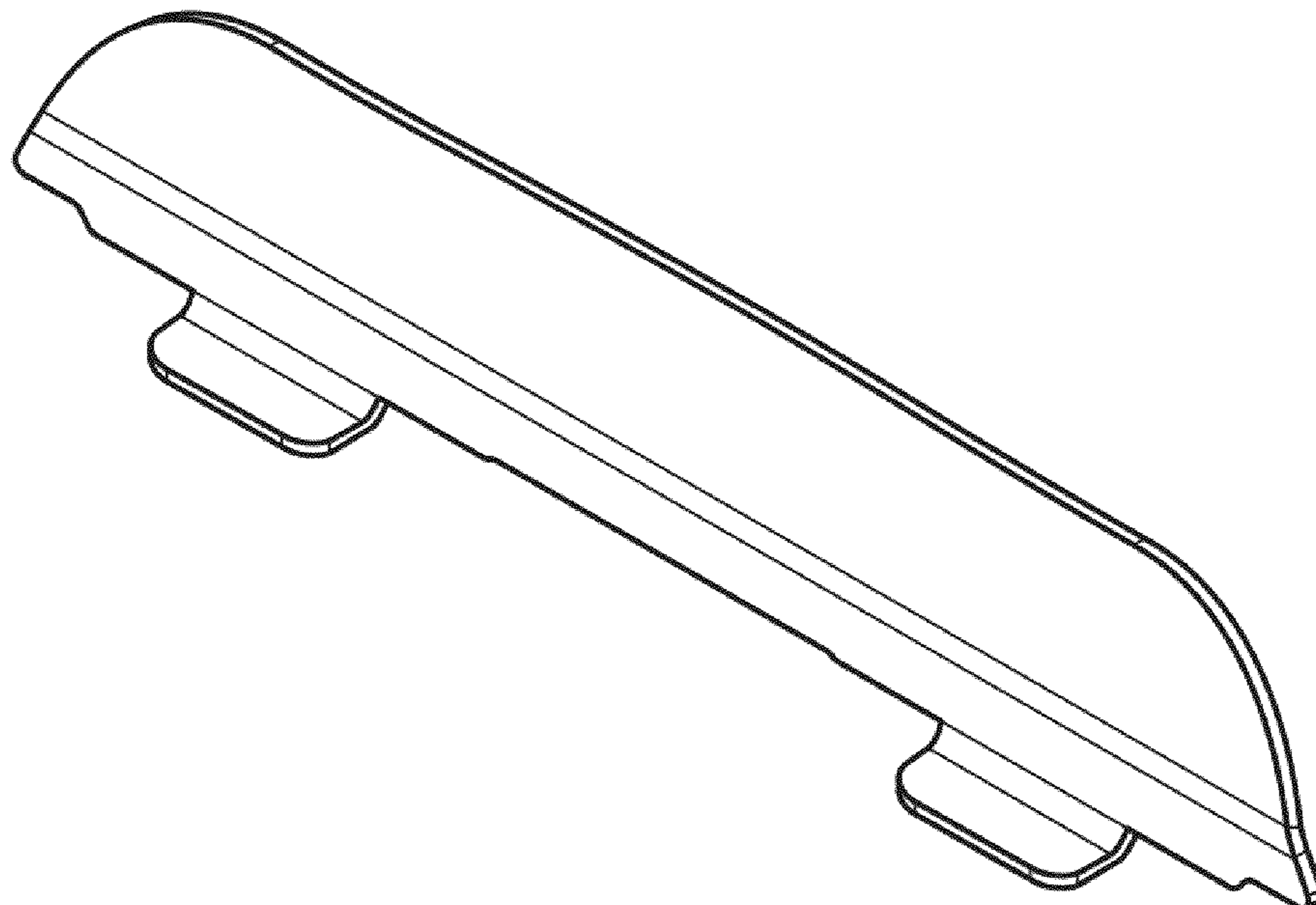
FIG. 3, according to an embodiment of the present invention, is an illustration of the front view of the wind restricting device.

FIG. 4, according to an embodiment of the present invention, is an illustration of the rear view of the wind restricting device; and,

FIG. 5, according to an embodiment of the present invention, is an illustration of the side view of the wind restricting device.

The nature and intended use of the wind restricting device design is for use in automobiles particularly a Mustang automobile.

1 Claim, 3 Drawing Sheets



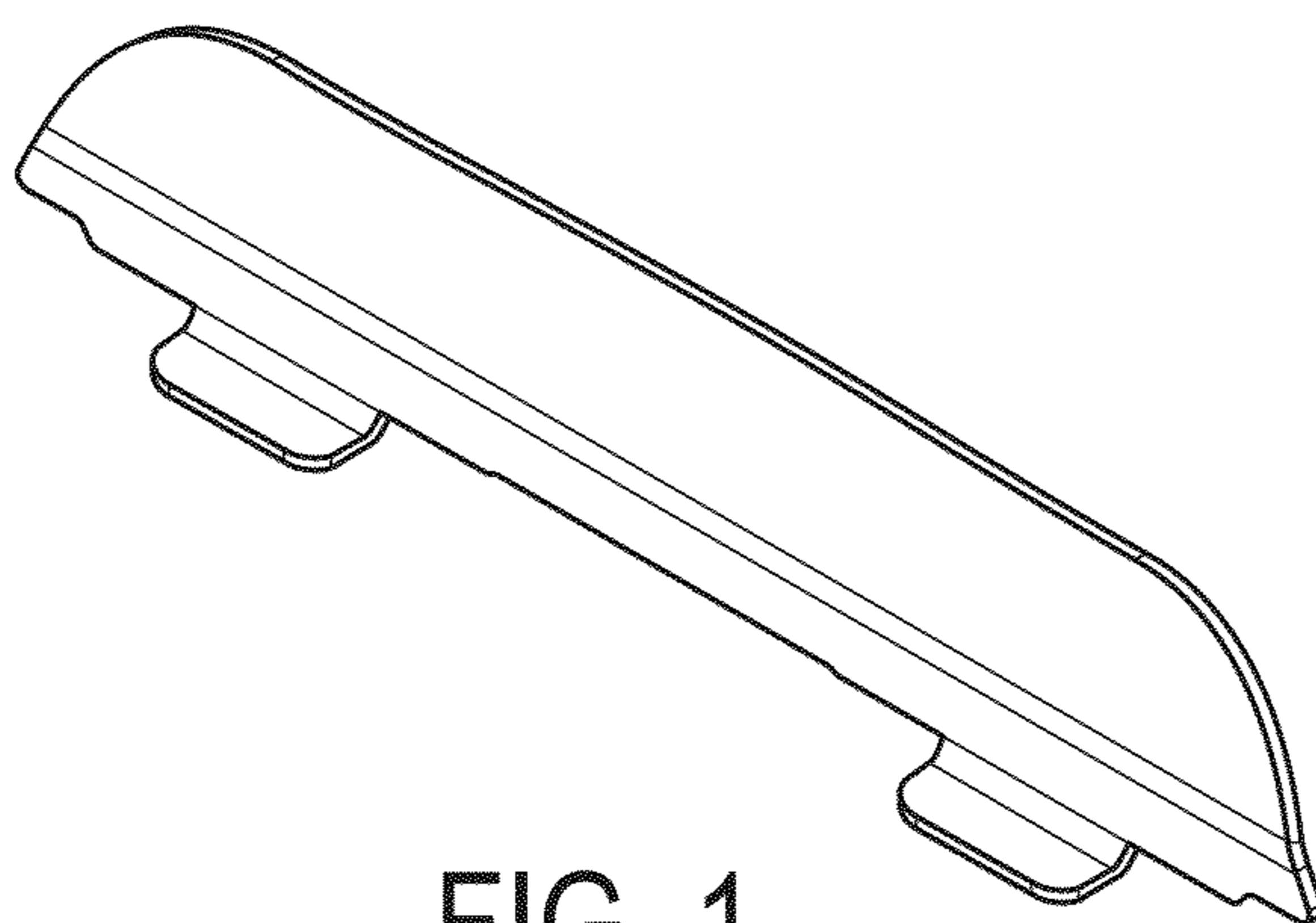


FIG. 1

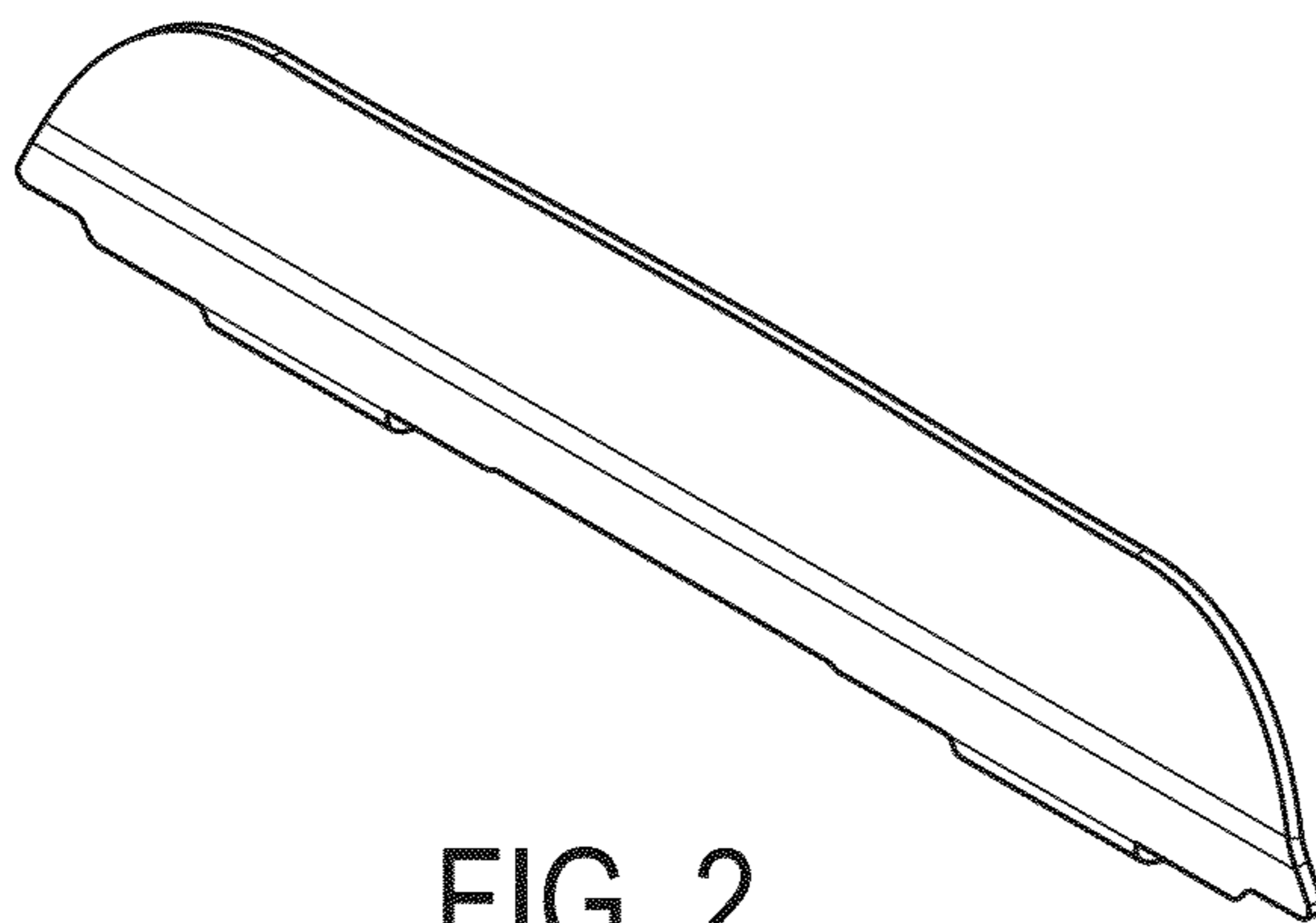


FIG. 2

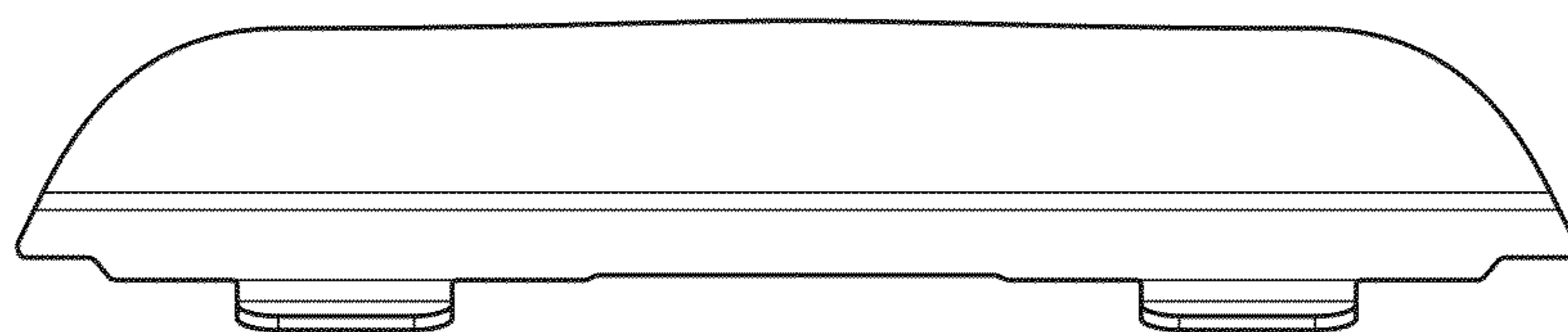


FIG. 3

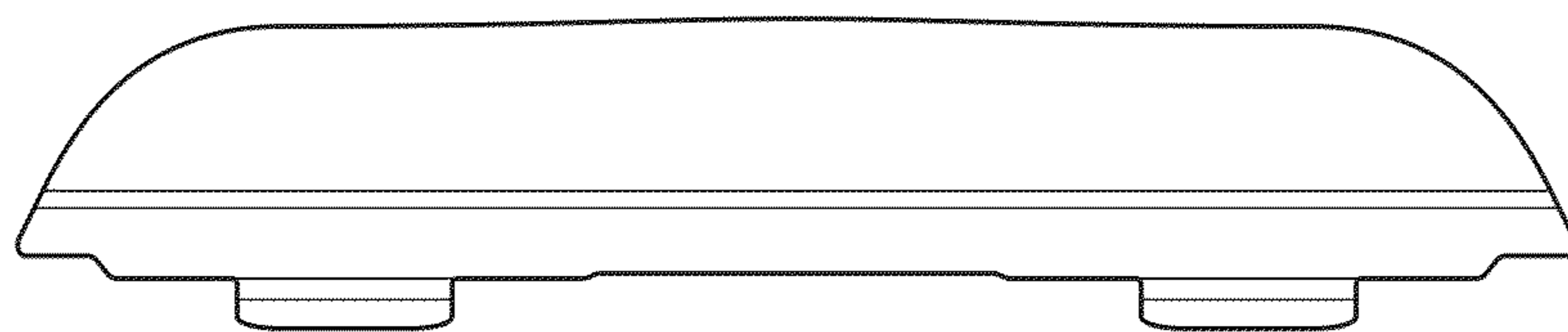


FIG. 4

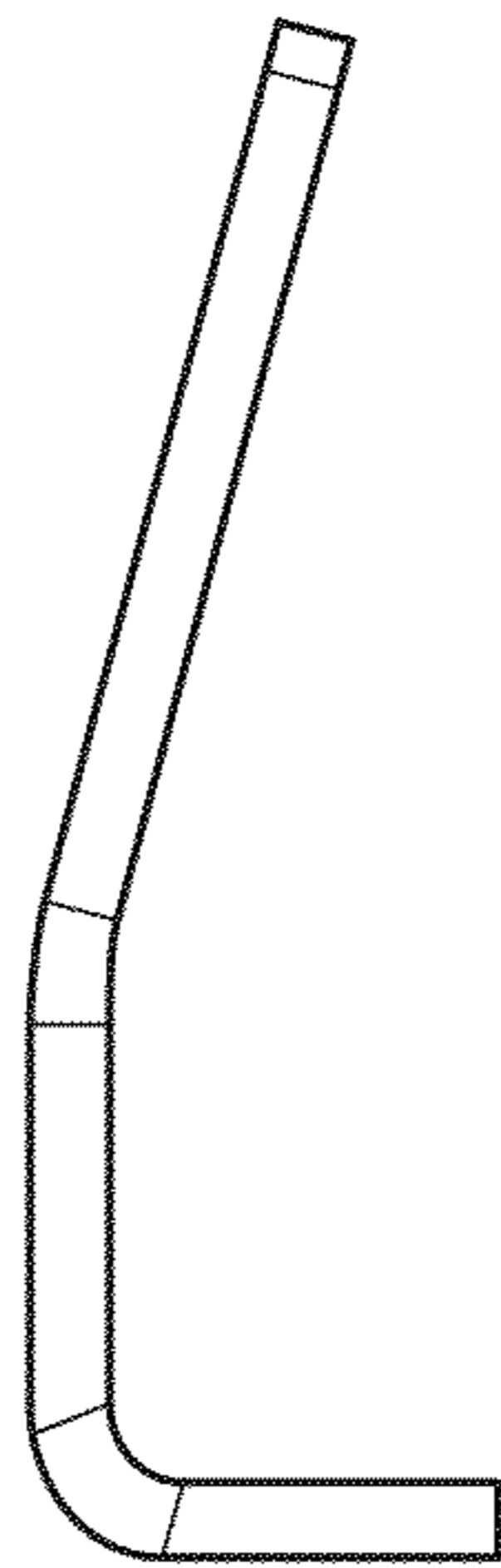


FIG. 5