

US00D754040S

(12) **United States Design Patent**
Varga

(10) **Patent No.:** **US D754,040 S**
(45) **Date of Patent:** **** Apr. 19, 2016**

(54) **REAR BUMPER FOR A MOTOR VEHICLE**

(71) Applicant: **Dr. Ing. h.c. F. Porsche**
Aktiengesellschaft, Stuttgart (DE)

(72) Inventor: **Peter Varga, Pforzheim (DE)**

(73) Assignee: **Dr. Ing. h.c. F. Porsche**
Aktiengesellschaft, Stuttgart (DE)

(**) Term: **14 Years**

(21) Appl. No.: **29/498,558**

(22) Filed: **Aug. 5, 2014**

(30) **Foreign Application Priority Data**

Feb. 11, 2014 (DE) 40 2014 100 117

(51) **LOC (10) Cl.** **12-16**

(52) **U.S. Cl.**
USPC **D12/169**

(58) **Field of Classification Search**
USPC D12/169, 216, 90-92, 86, 171, 196,
D12/163; 293/102, 113, 115, 117, 120;
296/180.1, 180.2
CPC . B60R 19/52; B60R 2019/25; B62D 25/0845
See application file for complete search history.

(56) **References Cited**

U.S. PATENT DOCUMENTS

D659,603 S	*	5/2012	Varga	D12/169
D659,605 S		5/2012	Varga		
D659,608 S		5/2012	Robinson		
D680,475 S		4/2013	Scheinhütte		
D682,755 S		5/2013	Robinson		

* cited by examiner

Primary Examiner — Melody N Brown

(74) *Attorney, Agent, or Firm* — RatnerPrestia

(57) **CLAIM**

The ornamental design for a rear bumper for a motor vehicle, as shown and described.

DESCRIPTION

FIG. 1 is a perspective view of a rear bumper for a motor vehicle;
FIG. 2 is a rear elevation view thereof;
FIG. 3 is a front elevation view thereof;
FIG. 4 is an elevation view thereof from the right side;
FIG. 5 is an elevation view thereof from the left side;
FIG. 6 is a top plan view thereof; and,
FIG. 7 is a bottom plan view thereof.

1 Claim, 4 Drawing Sheets



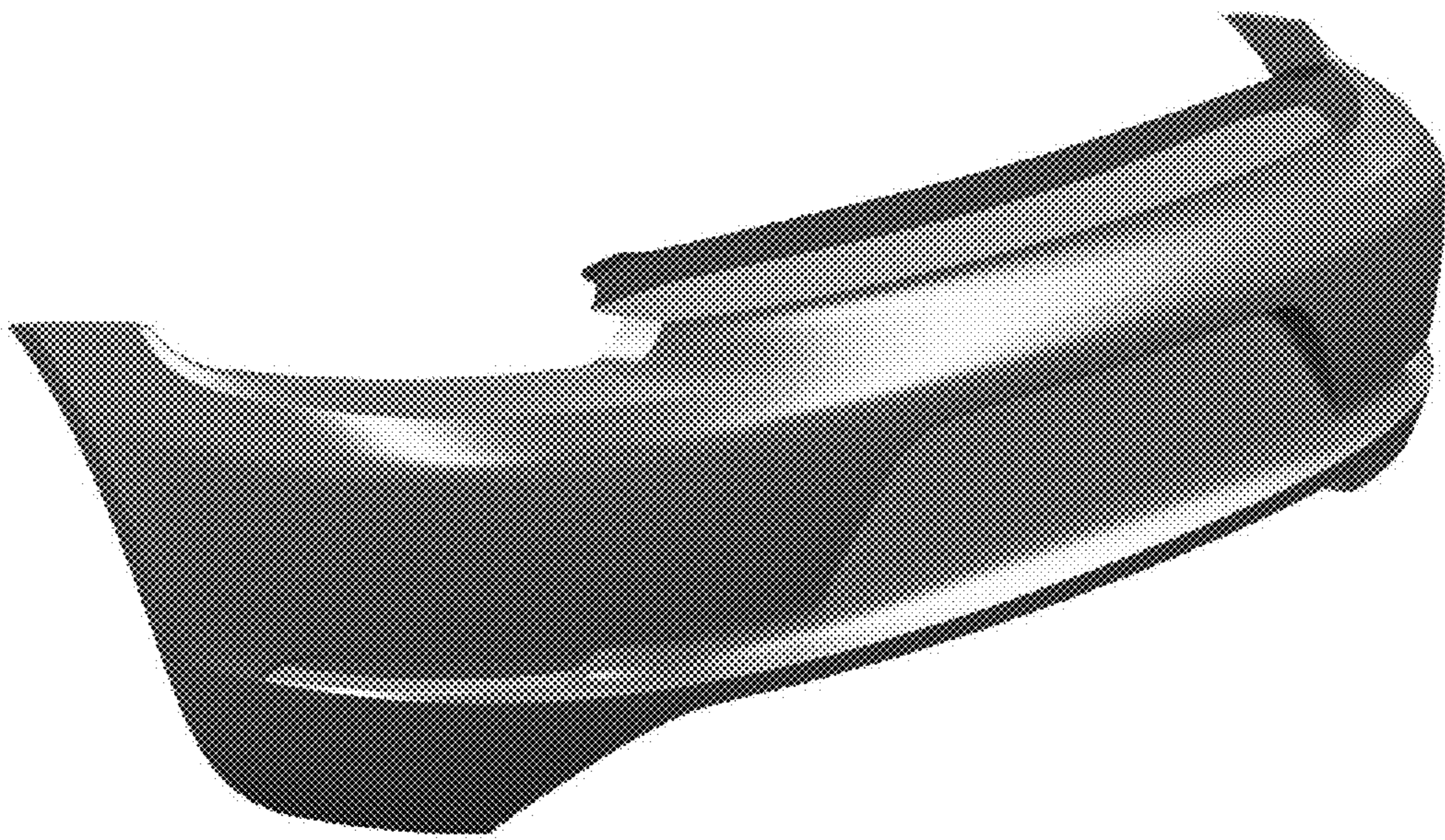


Figure 1

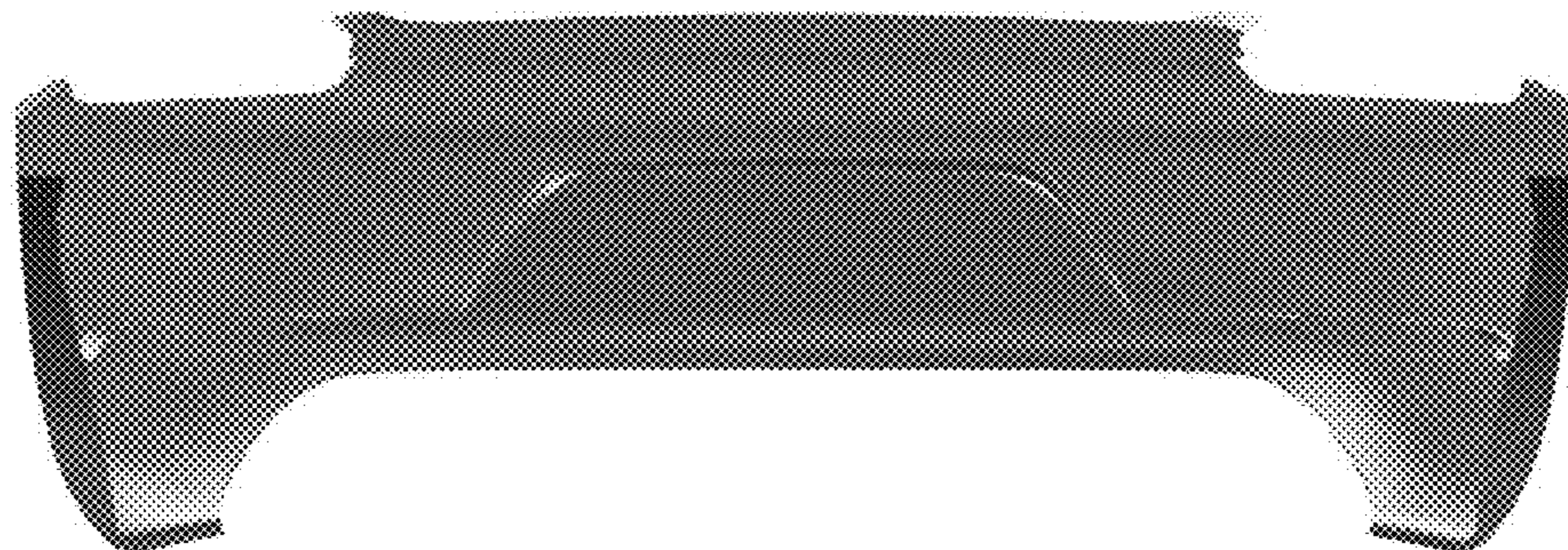


Figure 2

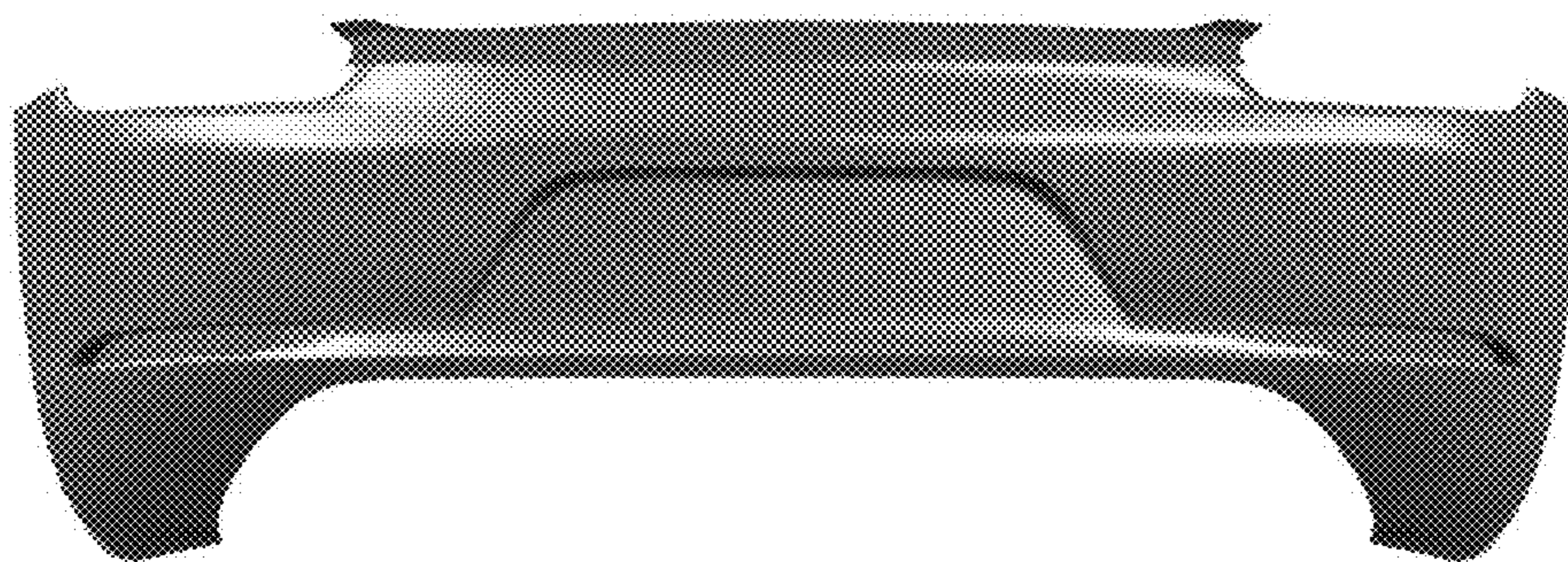


Figure 3

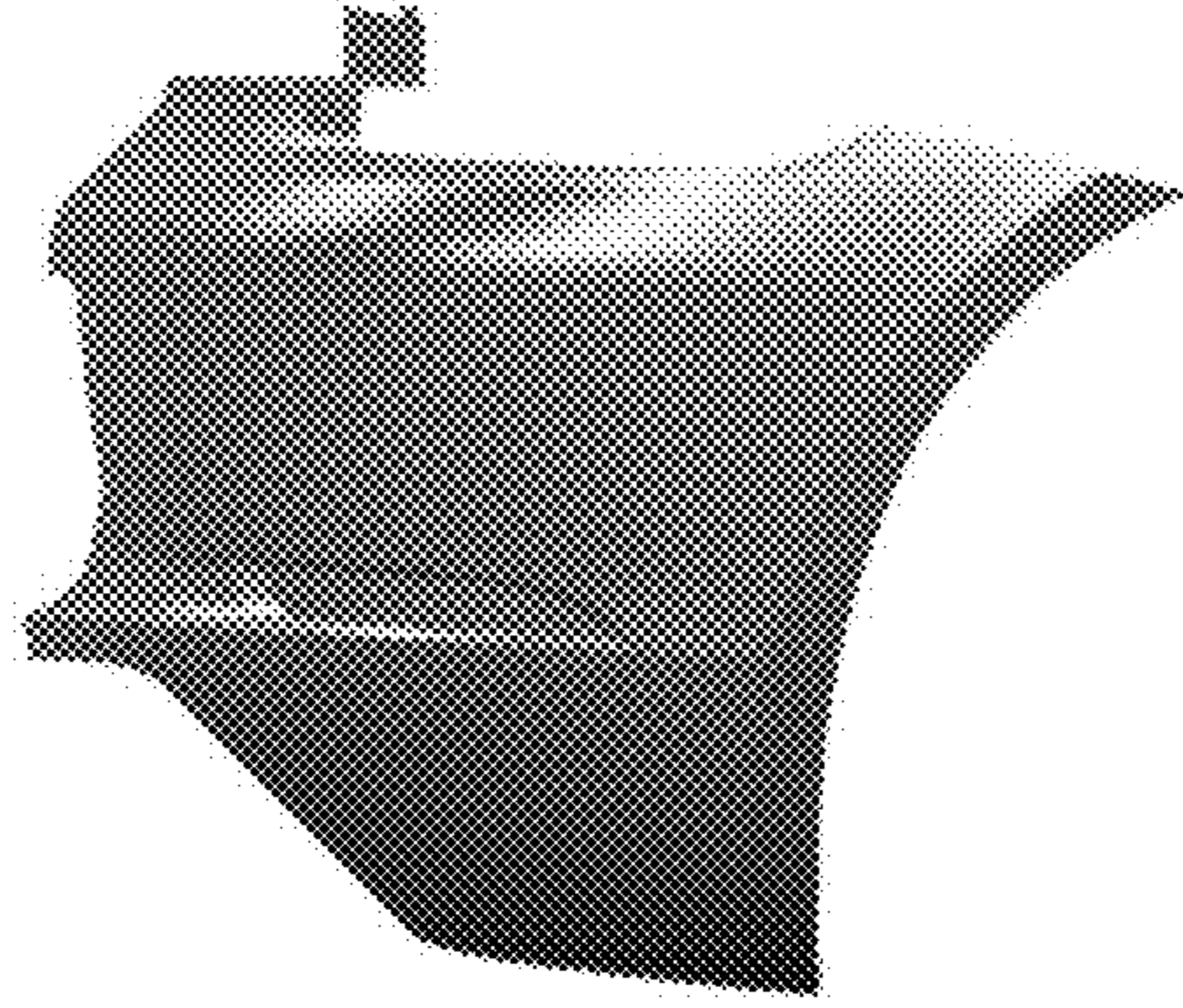


Figure 4

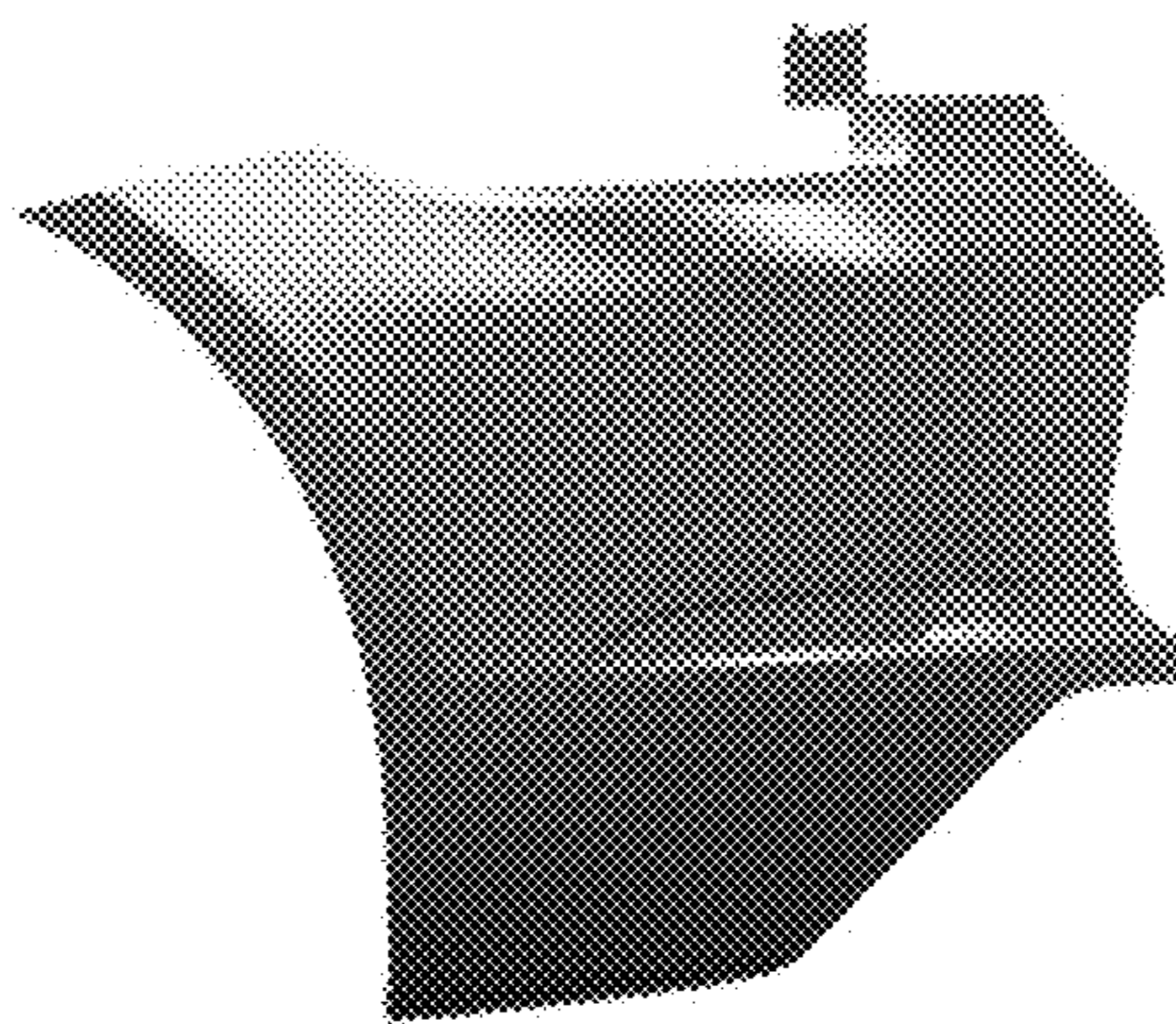


Figure 5

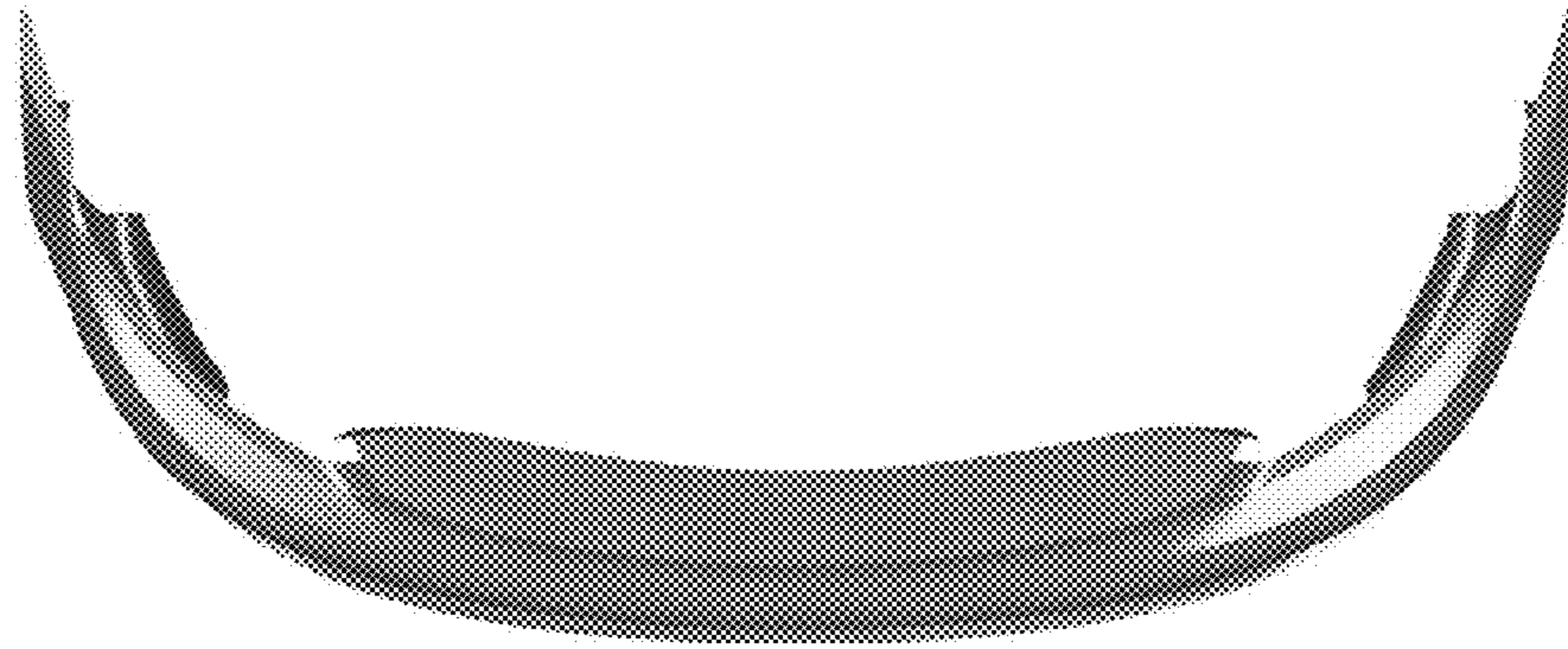


Figure 6

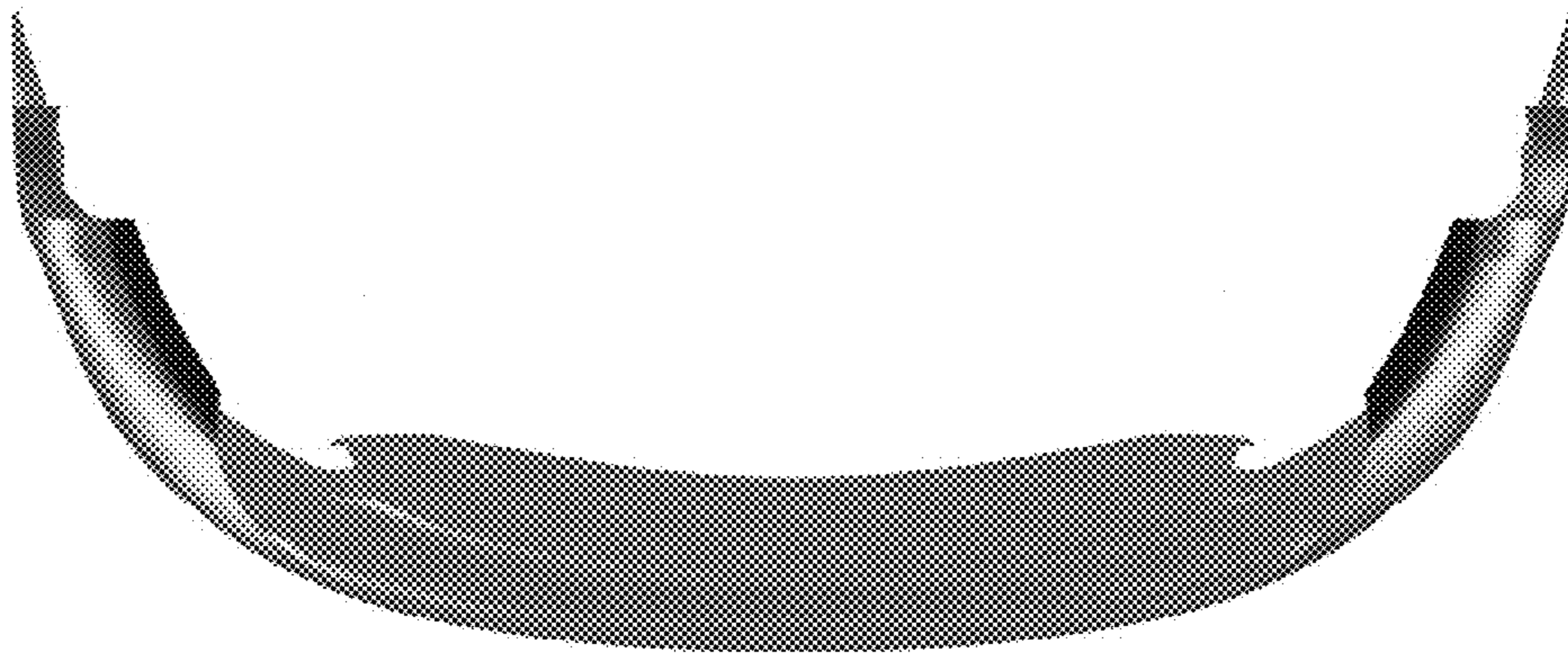


Figure 7