



US00D754037S

(12) **United States Design Patent**
Behmer et al.

(10) **Patent No.:** **US D754,037 S**
(45) **Date of Patent:** **** Apr. 19, 2016**

- (54) **VEHICLE FRONT LOWER GRILLE**
- (71) Applicant: **Ford Motor Company**, Dearborn, MI (US)
- (72) Inventors: **Darrell Behmer**, Novi, MI (US); **Henry Bernardo**, Southfield, MI (US); **Damon Depeyster**, Northville, MI (US)
- (73) Assignee: **Ford Motor Company**, Dearborn, MI (US)
- (**) Term: **14 Years**
- (21) Appl. No.: **29/508,857**
- (22) Filed: **Nov. 12, 2014**
- (51) **LOC (10) Cl.** **12-16**
- (52) **U.S. Cl.**
USPC **D12/163**
- (58) **Field of Classification Search**
USPC D12/163, 196, 86, 90-92, 171, 169, D12/216; 180/68.1, 68.6; 293/193.11
CPC B62D 25/08; B62B 9/16; B60K 11/08; B60R 19/52
See application file for complete search history.

D708,993 S *	7/2014	Mays	D12/163
D712,318 S *	9/2014	Mays	D12/163
D722,923 S *	2/2015	George	D12/163
D722,924 S *	2/2015	George	D12/163
D738,798 S *	9/2015	Morikawa	D12/163

OTHER PUBLICATIONS

Jason Udy. Spied: Refreshed 2016 Ford Explorer Loses Some Camo. Oct. 11, 2014 [online], [retrieved on Nov. 3, 2014] Retrieved from the Internet <URL: http://wot.motortrend.com/1410_spied_refreshed_2016_ford_explorer_loses_some_camo.html>.

2016 Ford Explorer SUV Review. [retrieved on Nov. 3, 2014] Retrieved from the Internet <URL: <http://www.edmunds.com/ford/explorer/2016/>>.

* cited by examiner

Primary Examiner — Melody N. Brown

(74) *Attorney, Agent, or Firm* — Damian Porcari

(57) **CLAIM**

The ornamental design for a vehicle front lower grille, as shown and described.

DESCRIPTION

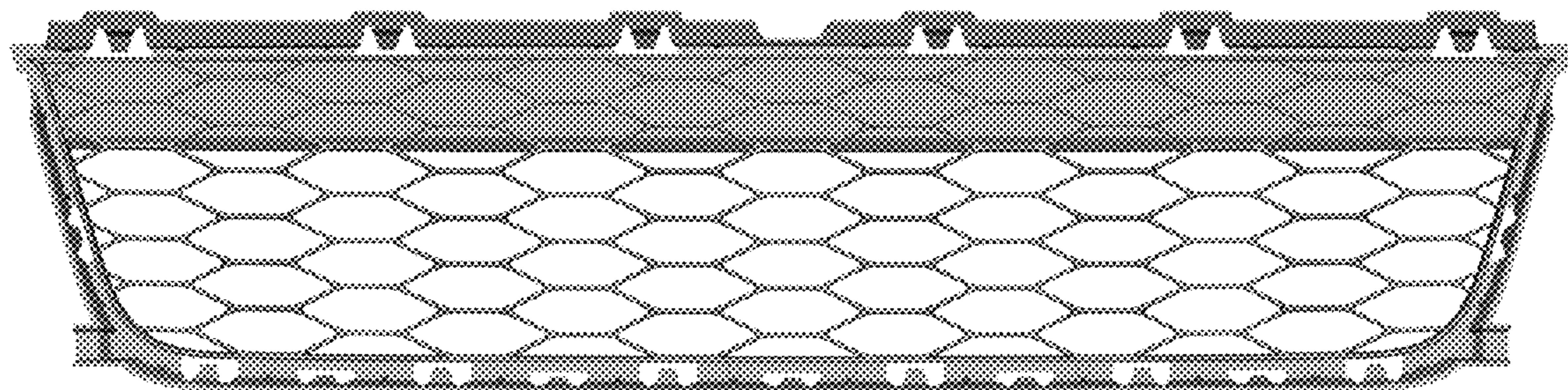
FIG. 1 is a bottom left perspective view of a vehicle front lower grille;
 FIG. 2 is a bottom right perspective view thereof;
 FIG. 3 is a top rear perspective view thereof;
 FIG. 4 is a front elevational view thereof;
 FIG. 5 is a rear elevational view thereof;
 FIG. 6 is a left side elevational view thereof;
 FIG. 7 is a right side elevational view thereof;
 FIG. 8 is a top plan view thereof; and,
 FIG. 9 is a bottom plan view thereof.

1 Claim, 9 Drawing Sheets

(56) **References Cited**

U.S. PATENT DOCUMENTS

D607,785 S *	1/2010	Walter	D12/163
D610,496 S	2/2010	Bucher et al.		
D610,497 S	2/2010	Bucher et al.		
D626,897 S *	11/2010	Ectors	D12/163
D629,340 S	12/2010	Bucher et al.		
D680,917 S *	4/2013	Xu	D12/163
D702,601 S *	4/2014	Wada	D12/163



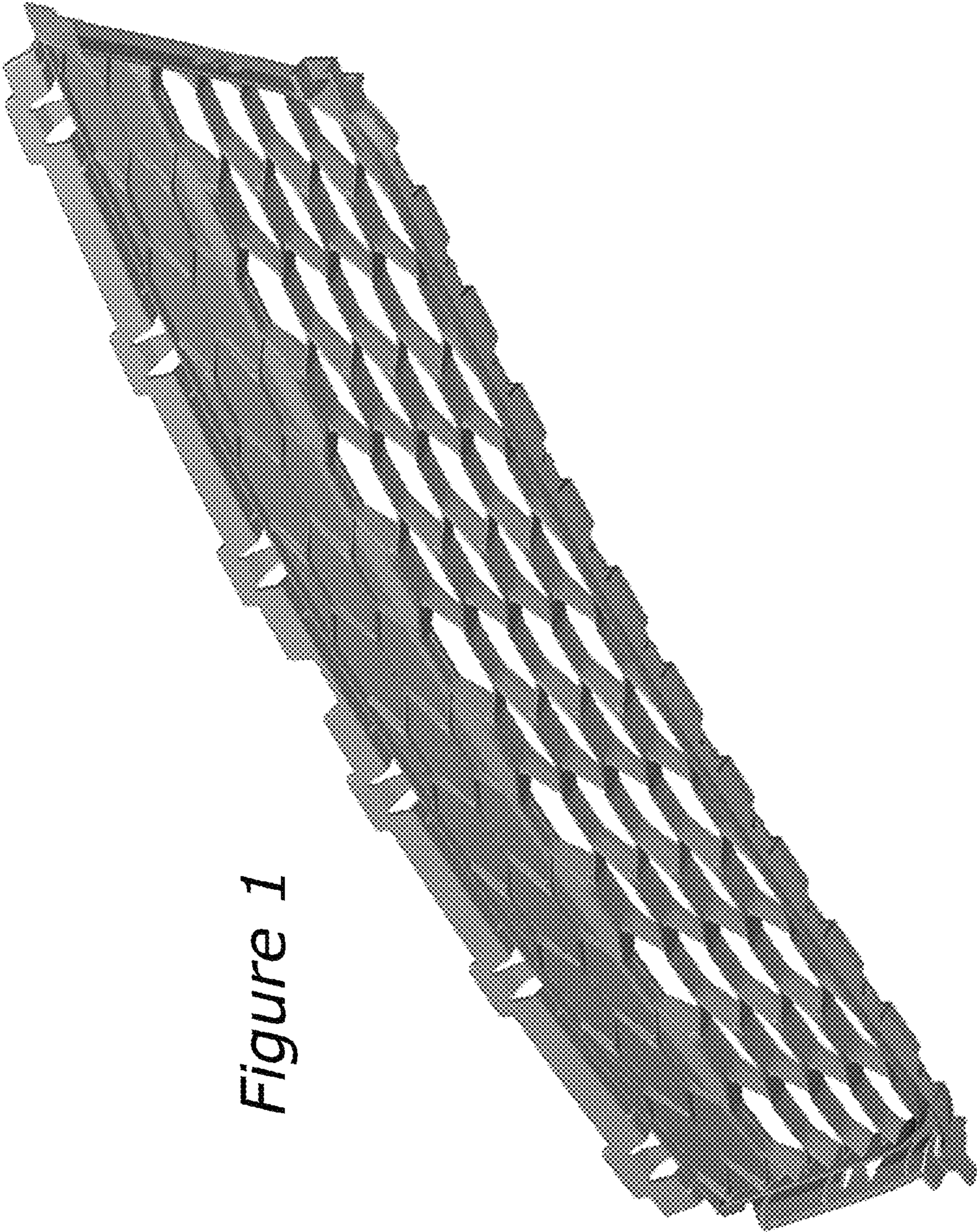
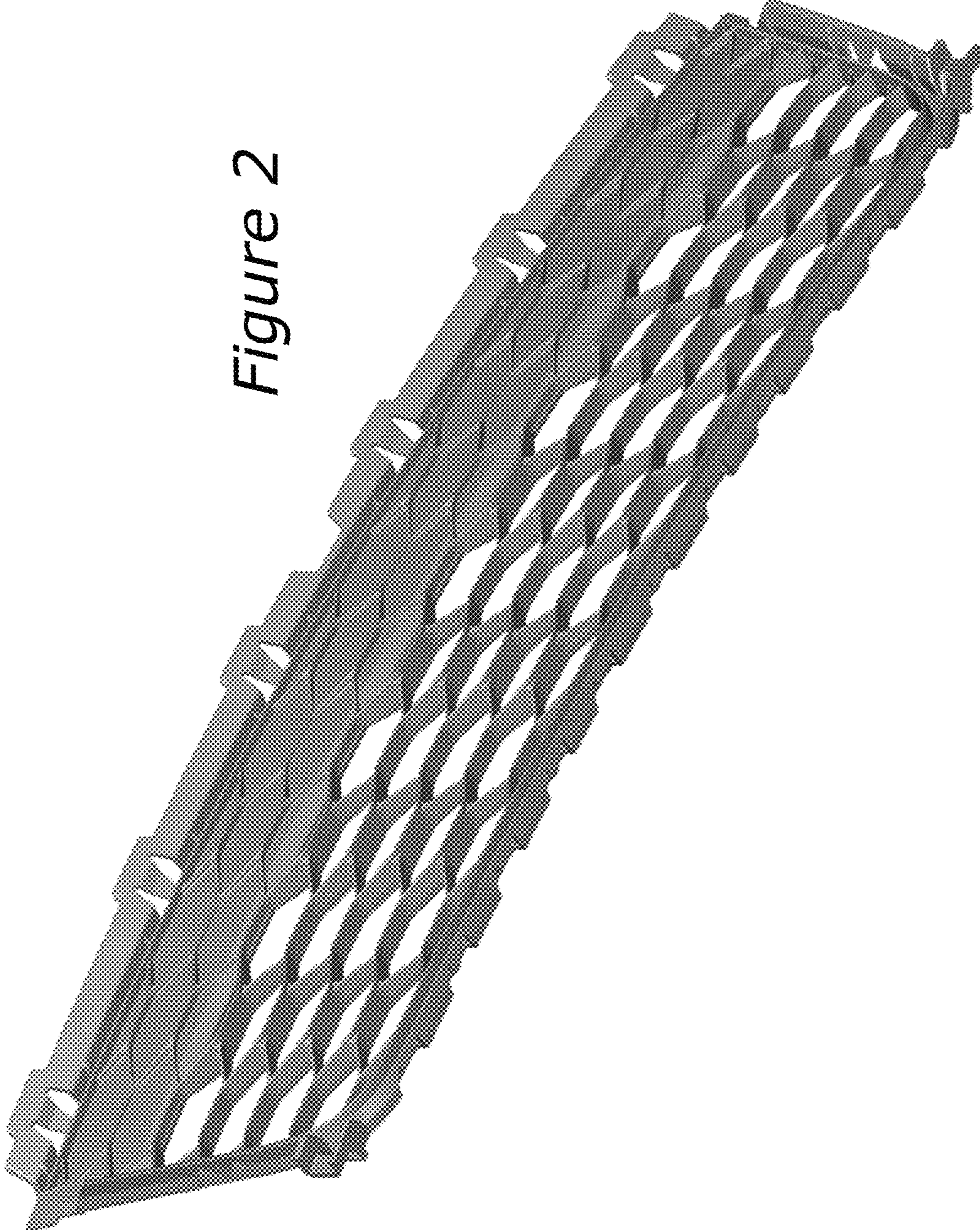


Figure 1

Figure 2



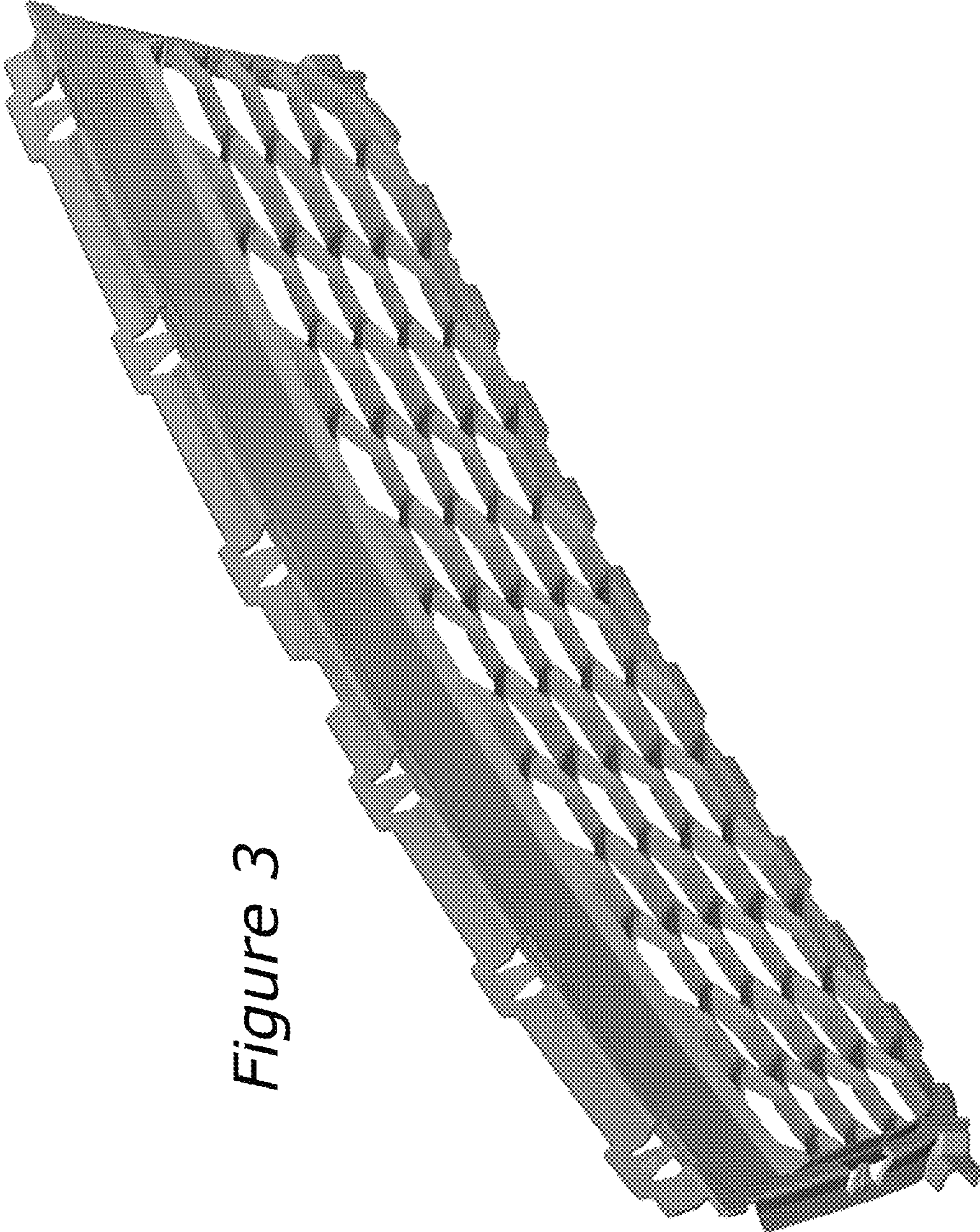


Figure 3

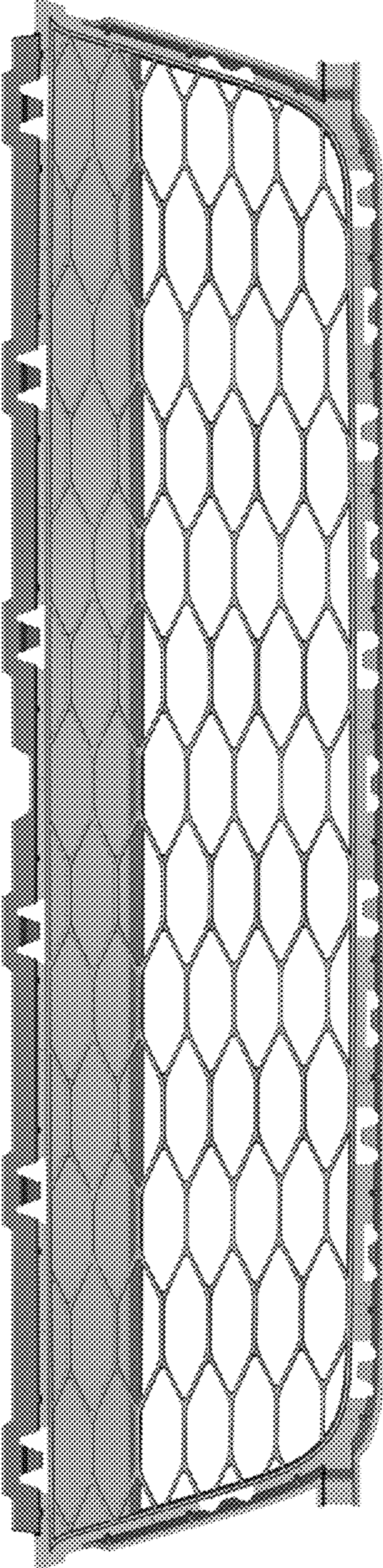


Figure 4

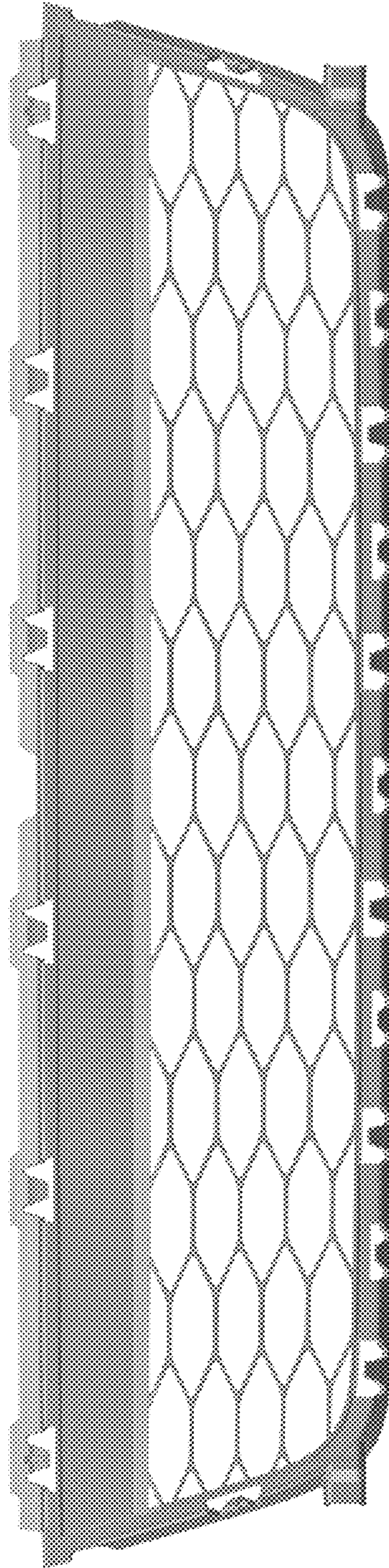


Figure 5

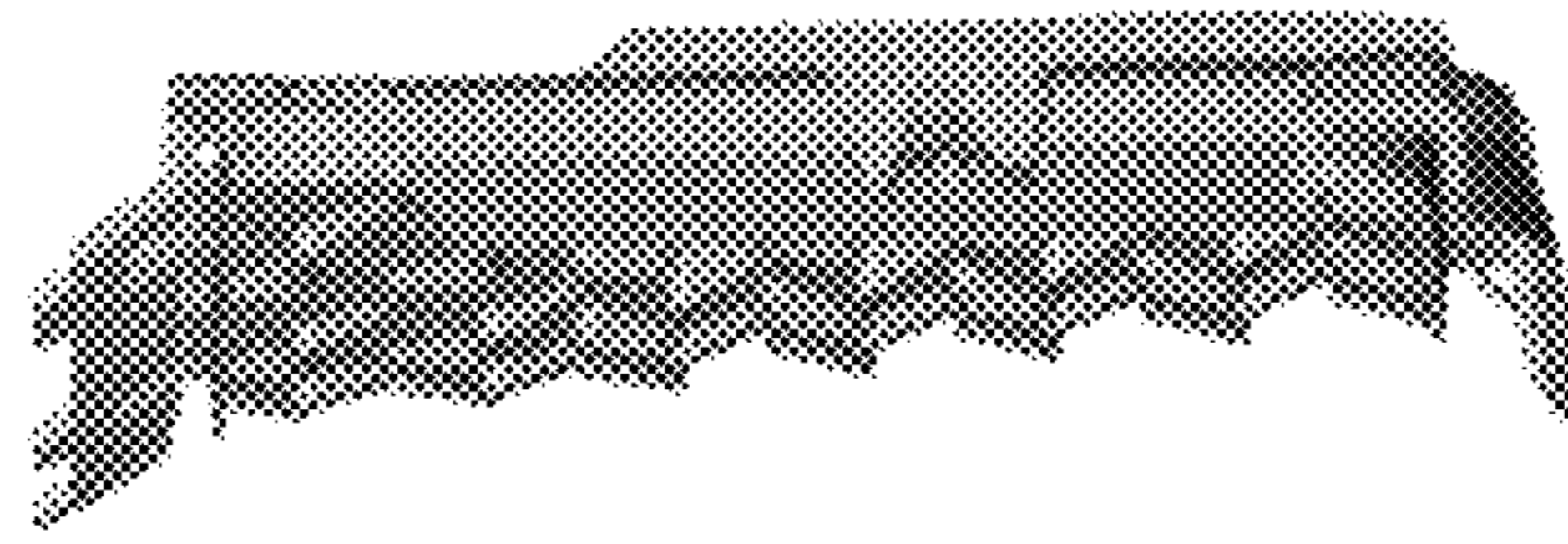


Figure 6



Figure 7

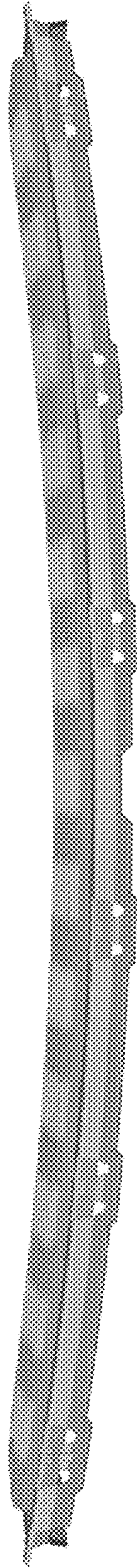


Figure 8

Figure 9

