



US00D754034S

(12) **United States Design Patent**
Wang et al.

(10) **Patent No.:** **US D754,034 S**
(45) **Date of Patent:** **** Apr. 19, 2016**

(54) **ROLLATOR**

(71) Applicant: **Medline Industries, Inc.**, Mundelein, IL (US)

(72) Inventors: **Zhiliang Wang**, Zhongshan (CN);
Margaret Mary Andersen, Chicago, IL (US); **Brian Monegas Ramirez**,
Chicago, IL (US)

(73) Assignee: **Medline Industries, Inc.**, Mundelein, IL (US)

(**) Term: **15 Years**

(21) Appl. No.: **29/535,549**

(22) Filed: **Aug. 7, 2015**

Related U.S. Application Data

(63) Continuation of application No. 29/436,520, filed on Nov. 6, 2012, now Pat. No. Des. 736,121.

(51) **LOC (10) Cl.** **12-12**

(52) **U.S. Cl.**
USPC **D12/130**

(58) **Field of Classification Search**

USPC D12/128-133; 280/62, 647-650, 29,
280/200, 47.38, 250.1, 259, 642, 658,
280/304.1; 128/99.1, 100.1
CPC ... A61G 5/10; A61G 2005/1054; A61G 5/08;
A61G 5/00; A61G 2005/0891; A61G
2005/0825; A61G 5/14; B62M 1/14
See application file for complete search history.

(56) **References Cited**

U.S. PATENT DOCUMENTS

474,666 A 5/1892 Krehbiel
3,186,759 A 6/1965 Reeves

(Continued)

FOREIGN PATENT DOCUMENTS

EP 2343035 8/2012
JP D1148308 7/2002

(Continued)

OTHER PUBLICATIONS

PCT Patent Application No. PCT/US2013/068116; International Search Report and Written Opinion Dated Feb. 13, 2014.

(Continued)

Primary Examiner — Susan Hattan

Assistant Examiner — Charles Hanson

(74) *Attorney, Agent, or Firm* — Fitch, Even, Tabin & Flannery LLP

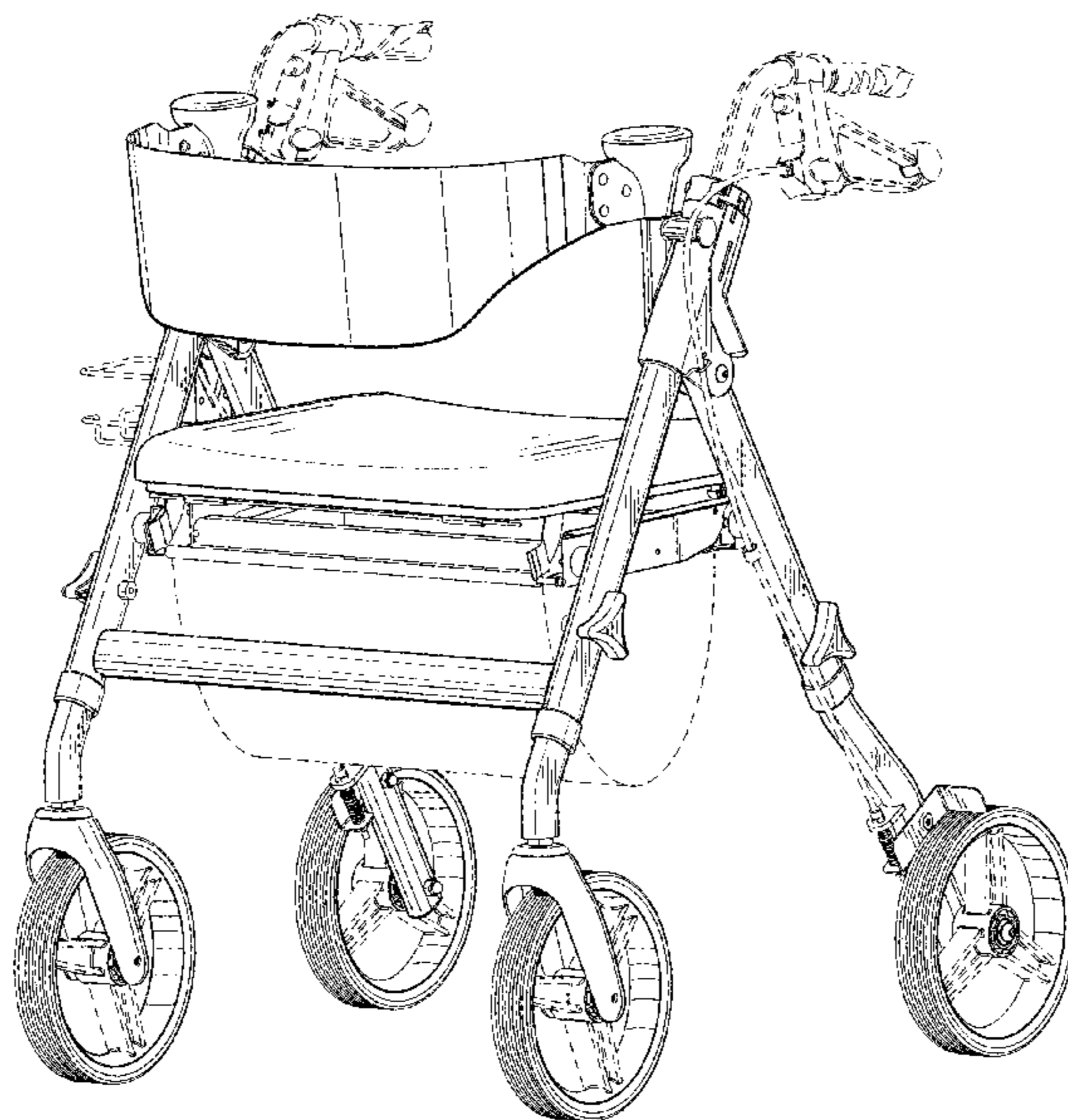
(57) **CLAIM**

We claim the ornamental design for a rollator, as shown and described.

DESCRIPTION

FIG. 1 is a front perspective view of a rollator in accordance with our new design;
FIG. 2 is a rear perspective view of the rollator of FIG. 1;
FIG. 3 is a left side elevational view of the rollator of FIG. 1;
FIG. 4 is a right side elevational view of the rollator of FIG. 1;
FIG. 5 is a front elevational view of the rollator of FIG. 1;
FIG. 6 is a rear elevational view of the rollator of FIG. 1;
FIG. 7 is a top plan view of the rollator of FIG. 1; and,
FIG. 8 is a bottom plan view of the rollator of FIG. 1.
The broken lines are included for the purpose of illustrating the unclaimed portions of the rollator and form no part of the claim.

1 Claim, 8 Drawing Sheets



(56)

References Cited

U.S. PATENT DOCUMENTS

3,338,628 A 8/1967 Evans
 4,211,309 A 7/1980 Ruggiero
 4,229,039 A 10/1980 Day
 4,341,381 A 7/1982 Norberg
 D281,771 S 12/1985 Webb
 D289,507 S 4/1987 Danielsson
 5,058,912 A 10/1991 Harroun
 5,060,967 A 10/1991 Hulterstrum
 5,224,731 A 7/1993 Johnson
 5,320,122 A 6/1994 Jacobson, II
 5,364,120 A 11/1994 Shimansky
 5,419,571 A 5/1995 Vaughan
 D360,174 S 7/1995 Kjell
 D367,833 S 3/1996 Ahlbertz
 D372,890 S 8/1996 Ferm
 5,741,020 A 4/1998 Harroun
 D396,437 S 7/1998 Liljedahl
 5,904,168 A 5/1999 Alulyan
 6,338,493 B1 1/2002 Wohlgemuth
 6,378,883 B1 4/2002 Epstein
 D503,909 S 4/2005 Tolfsen
 D519,423 S 4/2006 Tolfsen
 7,192,043 B1 3/2007 McLuen
 7,219,906 B2 5/2007 Hallgrimsson
 7,306,246 B2 12/2007 Gale
 D560,563 S 1/2008 Fransson
 7,379,734 B2 5/2008 Sato
 7,484,740 B2 2/2009 Miller
 7,628,411 B2 12/2009 Meyers
 D623,992 S 9/2010 Derks
 D633,830 S 3/2011 Derks
 7,918,473 B2 4/2011 Yao
 8,646,804 B2 2/2014 Derks
 8,851,502 B2* 10/2014 Gaudiano A61H 3/04
 135/67

8,936,262 B2* 1/2015 Nabeta A61H 3/04
 135/67
 8,998,223 B2* 4/2015 Chang F16D 59/02
 188/20
 D736,121 S 8/2015 Wang
 D739,314 S* 9/2015 Wang D12/130
 9,173,802 B2* 11/2015 Willis A61H 3/04
 2002/0079663 A1 6/2002 Hallgrimsson
 2002/0153684 A1* 10/2002 Sung A61H 3/04
 280/87.021
 2004/0079405 A1* 4/2004 Sanders A61H 3/04
 135/67
 2004/0104559 A1* 6/2004 Chen A61H 3/04
 280/642
 2004/0245737 A1 12/2004 Hallgrimsson
 2005/0001398 A1* 1/2005 Serhan A61H 3/04
 280/87.01
 2006/0284040 A1 12/2006 Nixon
 2007/0034243 A1 2/2007 Miller
 2007/0170699 A1* 7/2007 Li A61H 3/04
 280/642
 2007/0267054 A1* 11/2007 Meyers A61H 3/04
 135/67
 2008/0111349 A1* 5/2008 Willis A61H 3/04
 280/648
 2009/0033052 A1* 2/2009 Bradshaw A61H 3/04
 280/87.021
 2010/0301574 A1 12/2010 Derks

FOREIGN PATENT DOCUMENTS

JP D1292289 1/2007
 TW D107853 11/2005
 TW D127741 3/2009

OTHER PUBLICATIONS

Taiwanese Search Report from TW102303182 Dated Jul. 17, 2014.

* cited by examiner

FIG. 1



FIG. 2

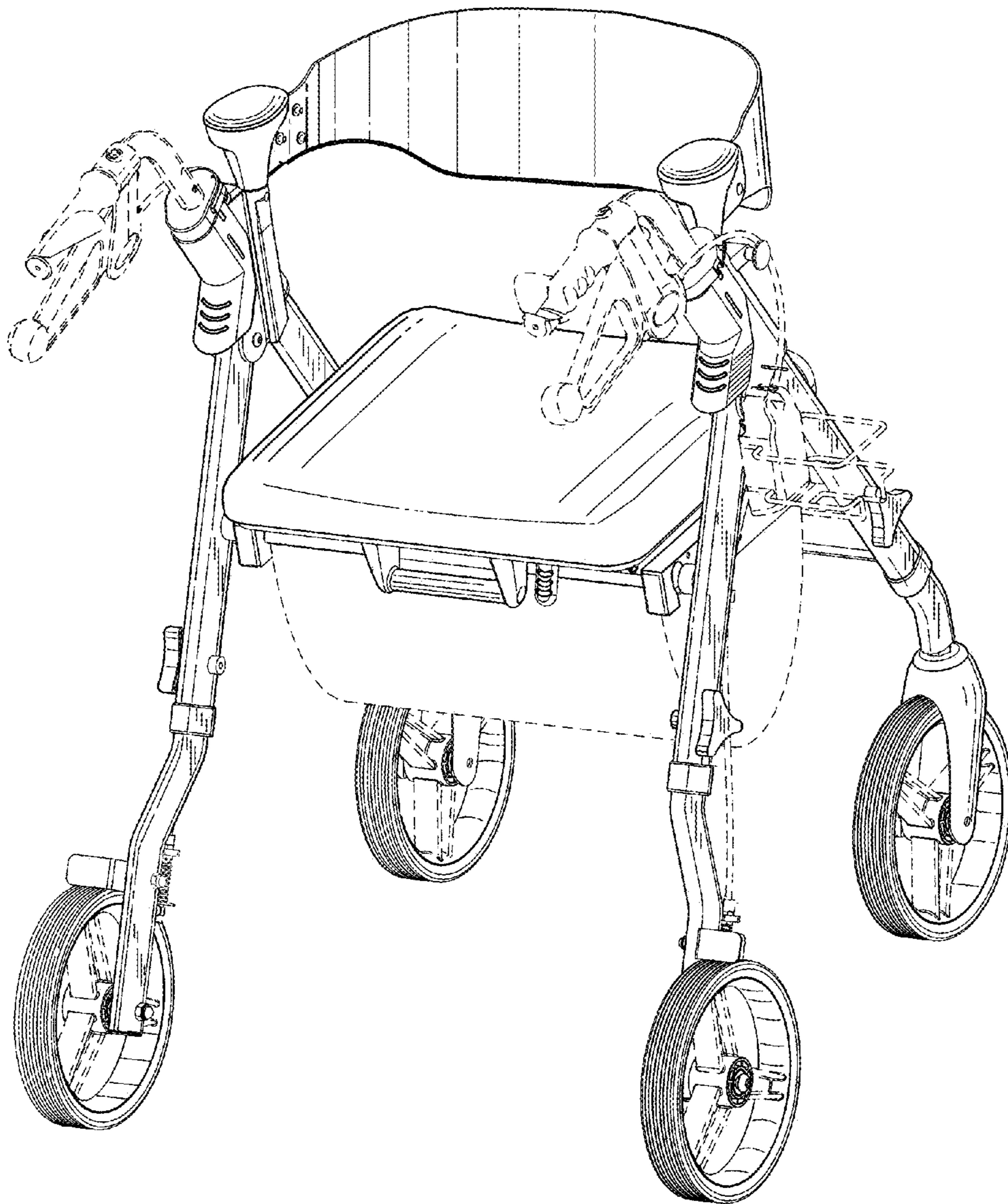


FIG. 3

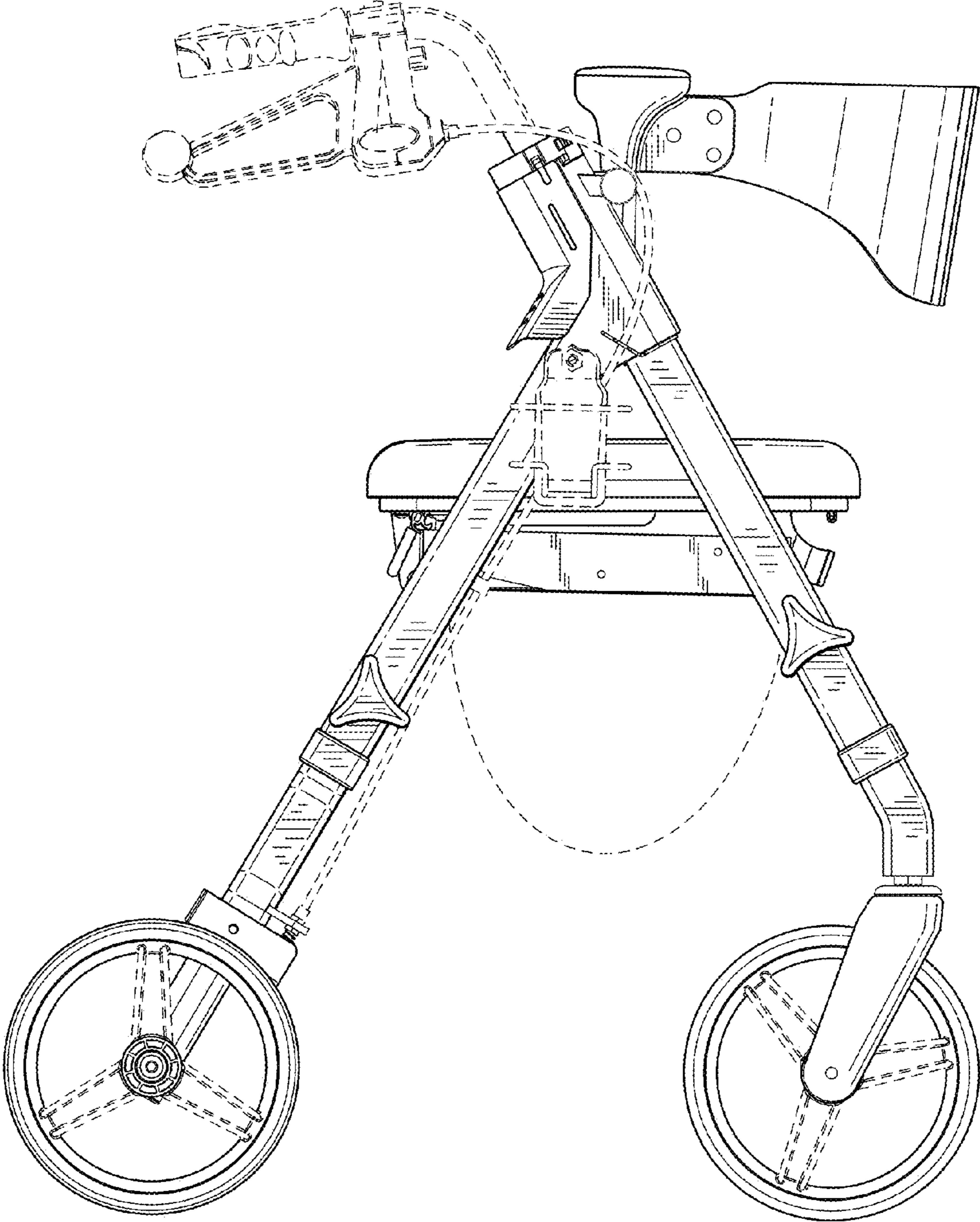


FIG. 4

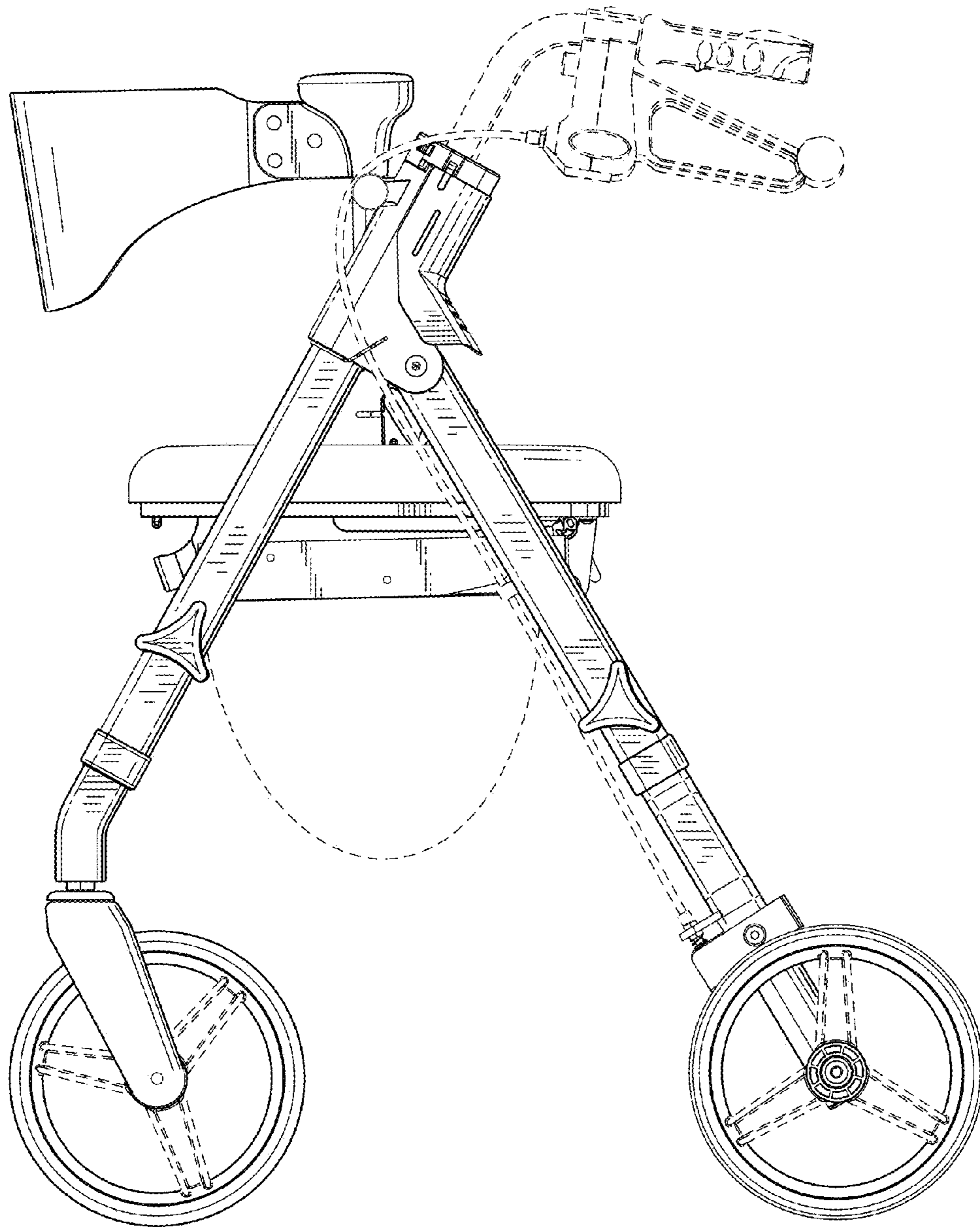


FIG. 5

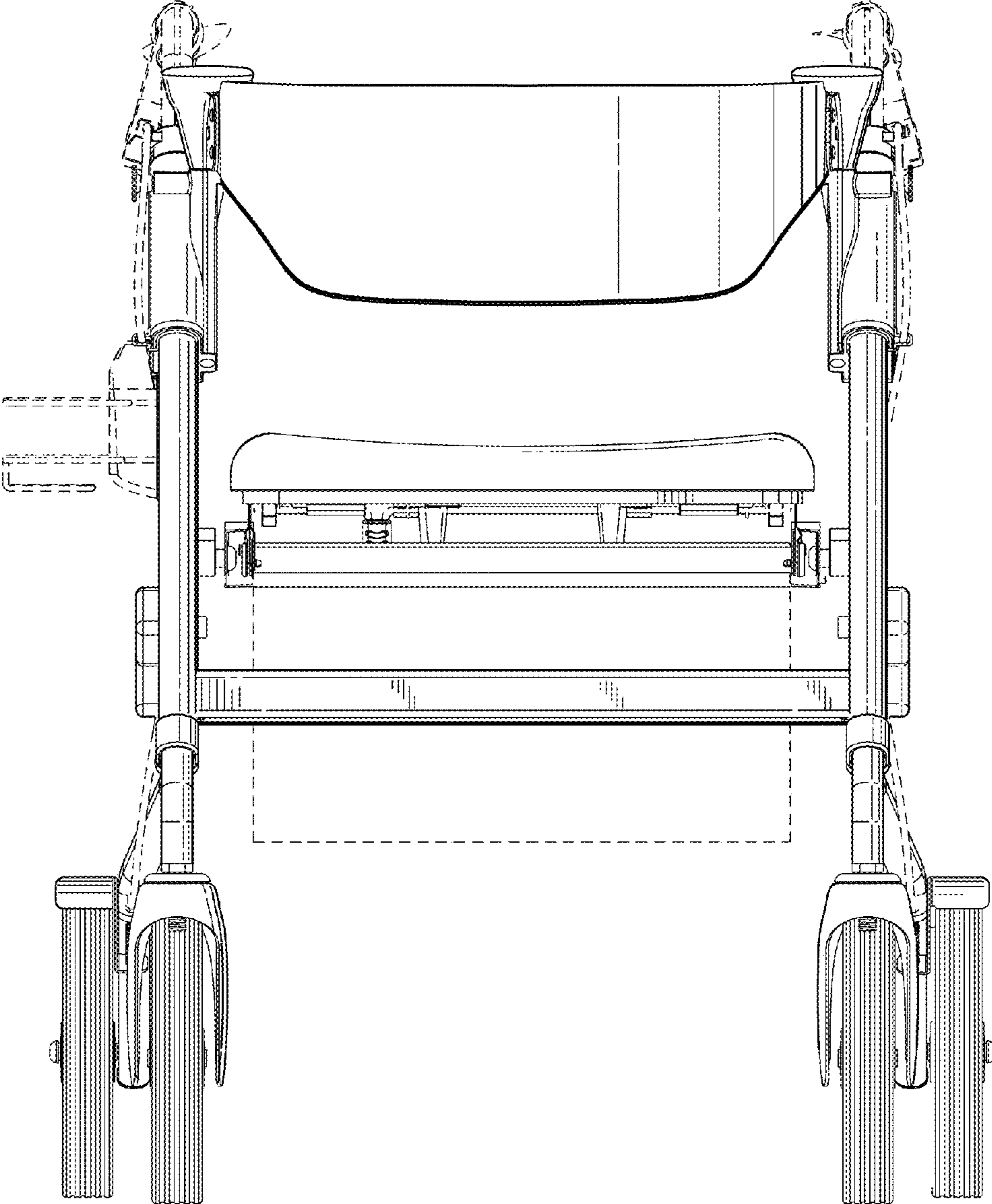


FIG. 6

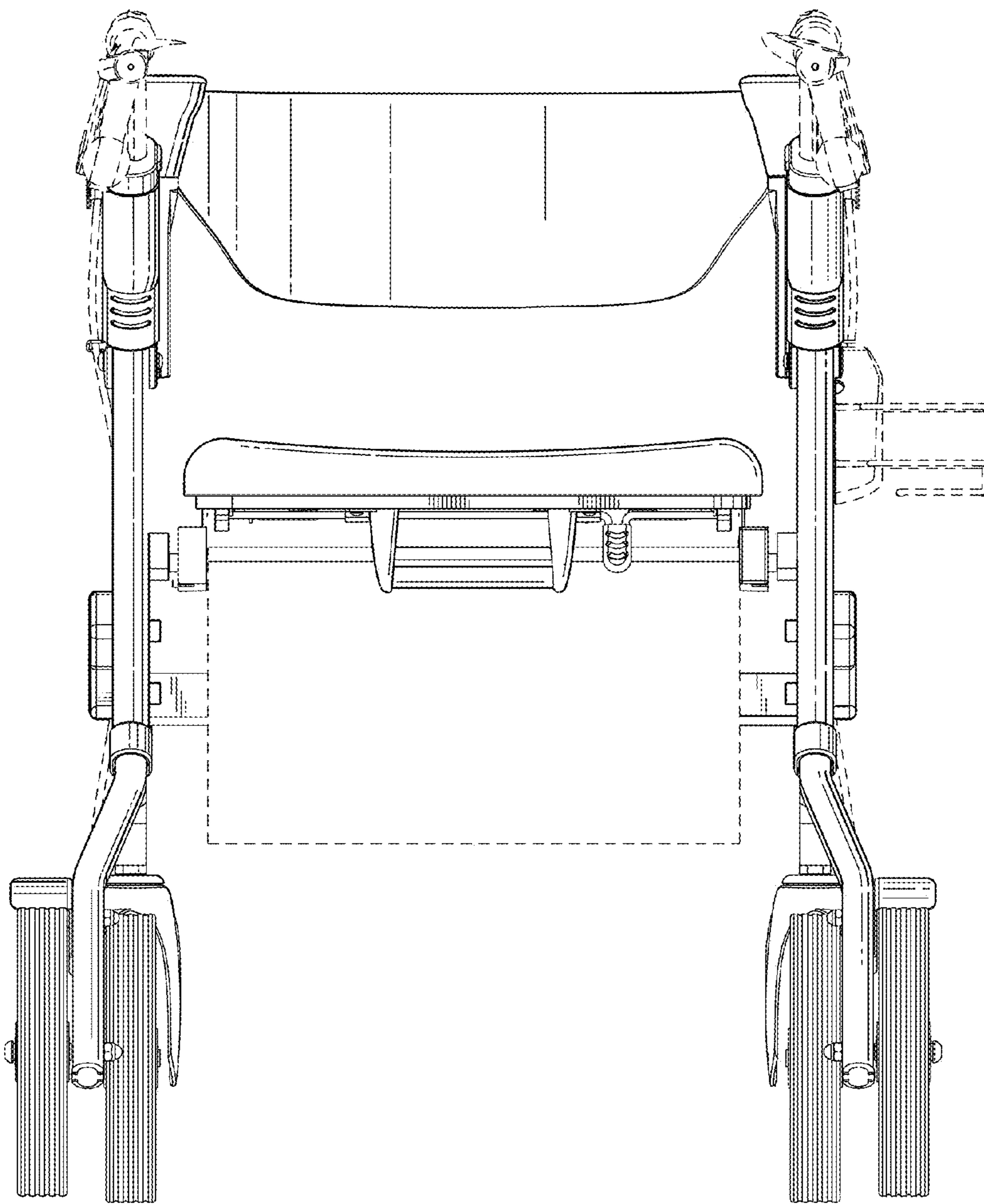


FIG. 7

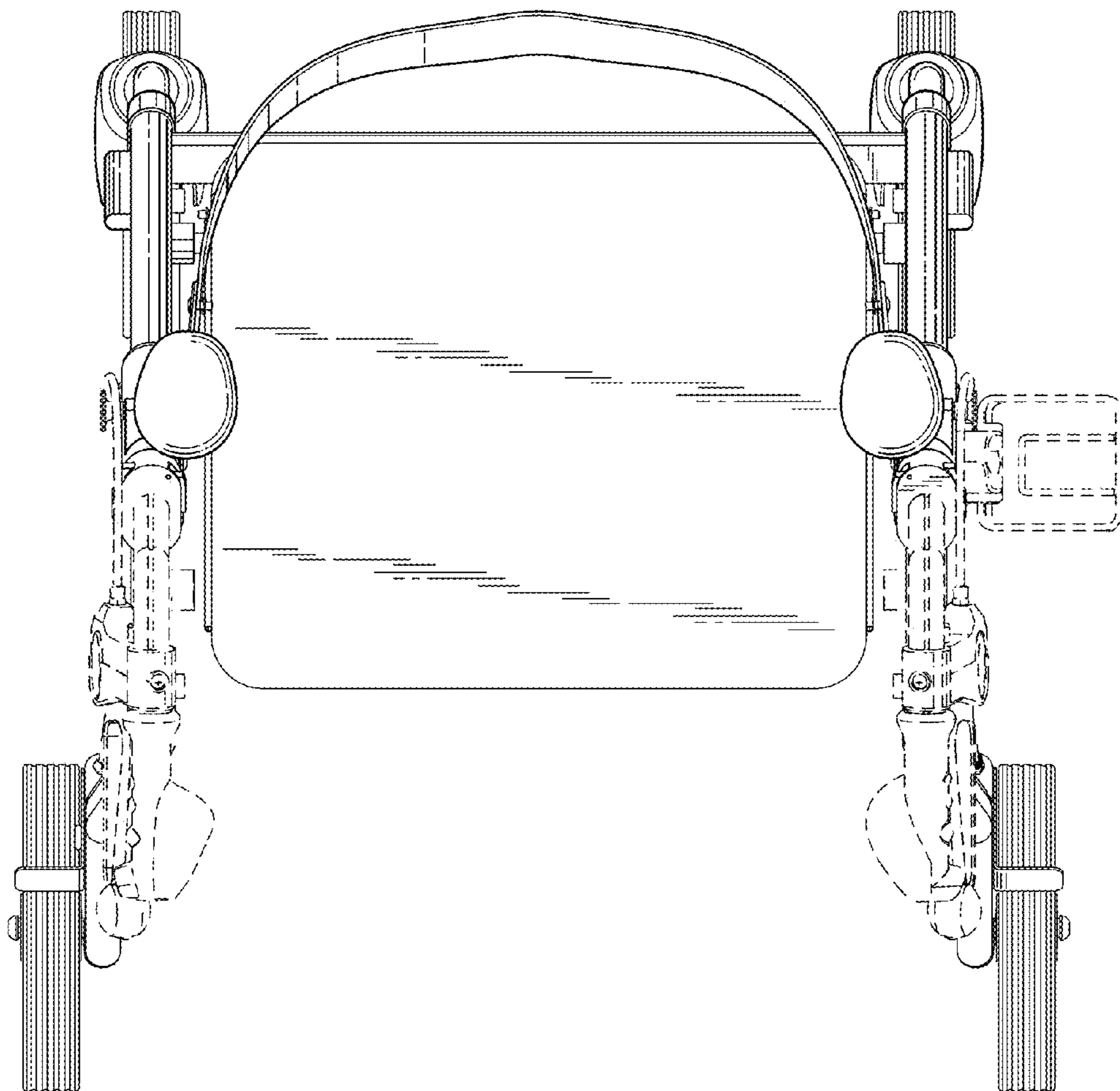


FIG. 8

