



US00D754033S

(12) **United States Design Patent**  
**Angelfoss et al.**

(10) **Patent No.:** **US D754,033 S**  
(45) **Date of Patent:** **\*\* Apr. 19, 2016**

(54) **STROLLER CHASSIS**

(71) Applicant: **Stokke AS, Ålesund (NO)**

(72) Inventors: **Hilde Angelfoss, Ålesund (NO);  
Hans-Cato Slotterøy, Ålesund (NO);  
Alf Vegard Fjelland, Ålesund (NO);  
Eivind Halseth, Ålesund (NO); Oscar  
Johansen, Ålesund (NO)**

(73) Assignee: **STOKKE AS (NO)**

(\*\*) Term: **14 Years**

(21) Appl. No.: **29/511,707**

(22) Filed: **Dec. 12, 2014**

(30) **Foreign Application Priority Data**

Jun. 30, 2014 (NO) ..... 20140635

(51) **LOC (10) Cl.** ..... **12-12**

(52) **U.S. Cl.**  
USPC ..... **D12/129**

(58) **Field of Classification Search**  
USPC ..... D12/128–129, 130  
CPC ..... B62B 7/00–7/04; B62B 9/00–9/28  
See application file for complete search history.

(56) **References Cited**

**U.S. PATENT DOCUMENTS**

D375,707 S *	11/1996	Yang	.....	D12/129
D493,020 S	7/2004	Resfum		
D505,366 S	5/2005	Resfum et al.		
D519,258 S	4/2006	Resfum		
D519,422 S *	4/2006	Huang	.....	D12/129
D526,601 S	8/2006	Oxseth		
7,267,359 B1 *	9/2007	Yang	.....	B62B 7/08 280/47.34

7,364,171 B2 *	4/2008	Hu	.....	B60B 1/006 280/47.38
D578,044 S *	10/2008	Chen	.....	D12/129
D580,828 S	11/2008	Chen		
D585,336 S	1/2009	van Buul et al.		
D596,996 S *	7/2009	Yang	.....	D12/129
D621,306 S *	8/2010	Liao	.....	D12/129
D631,401 S	1/2011	Bagwell et al.		
D631,402 S	1/2011	Bagwell et al.		
D643,343 S *	8/2011	Song	.....	D12/129
D643,786 S	8/2011	Barenbrug		
8,033,555 B2	10/2011	Mostert et al.		
D651,139 S	12/2011	Angelfoss et al.		
D654,409 S	2/2012	Angelfoss et al.		
D661,624 S *	6/2012	Stopp	.....	D12/129
D672,692 S *	12/2012	Jane Santamaria	.....	D12/129
D677,605 S *	3/2013	Ide	.....	D12/129
D693,743 S	11/2013	Slotteroy et al.		
D699,159 S	2/2014	Slotteroy et al.		

\* cited by examiner

*Primary Examiner* — Susan Bennett Hattan

*Assistant Examiner* — Charles Hanson

(74) *Attorney, Agent, or Firm* — Kolisch Hartwell, P.C.

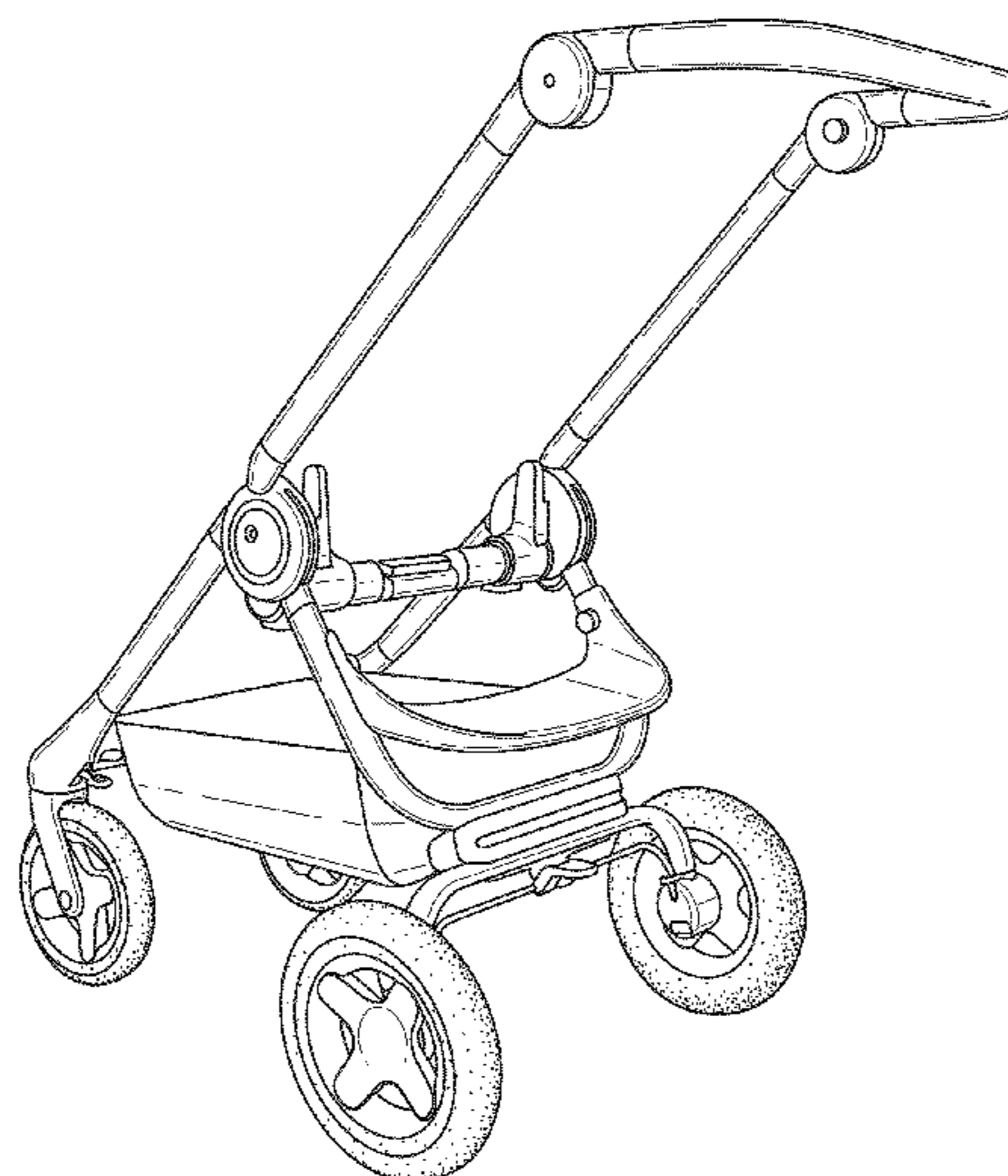
(57) **CLAIM**

I claim the ornamental design for a stroller chassis, as shown and described.

**DESCRIPTION**

FIG. 1 is a rear and left perspective view of a stroller chassis according to the new design;  
FIG. 2 is a front elevational view thereof;  
FIG. 3 is a rear elevational view thereof;  
FIG. 4 is a left side elevational view thereof;  
FIG. 5 is a right side elevational view thereof;  
FIG. 6 is a top plan view thereof; and,  
FIG. 7 is a bottom plan view thereof.  
The broken line showing in FIG. 2 is included for the purpose of illustrating environment and forms no part of the claimed design.

**1 Claim, 7 Drawing Sheets**



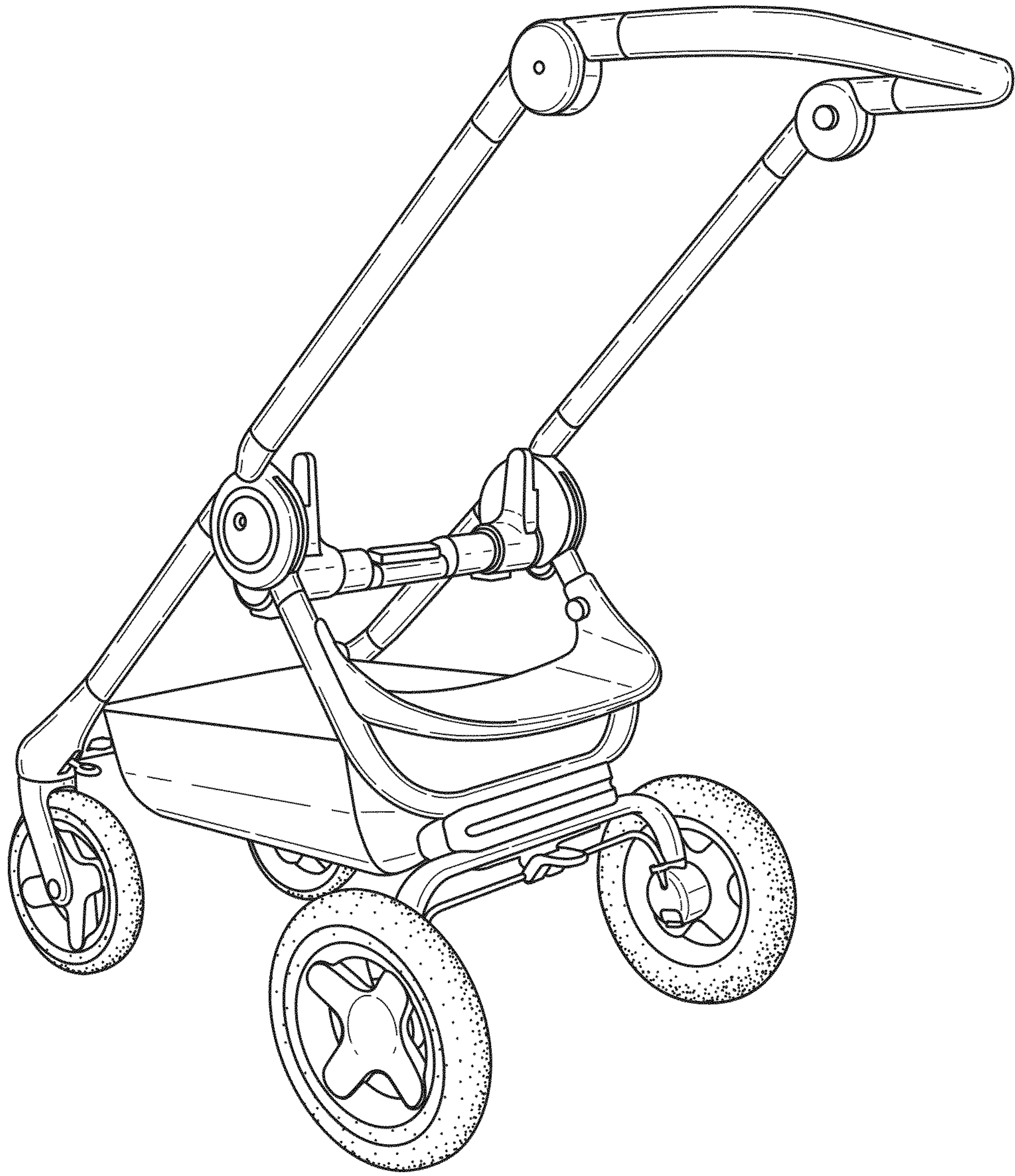


Fig. 1

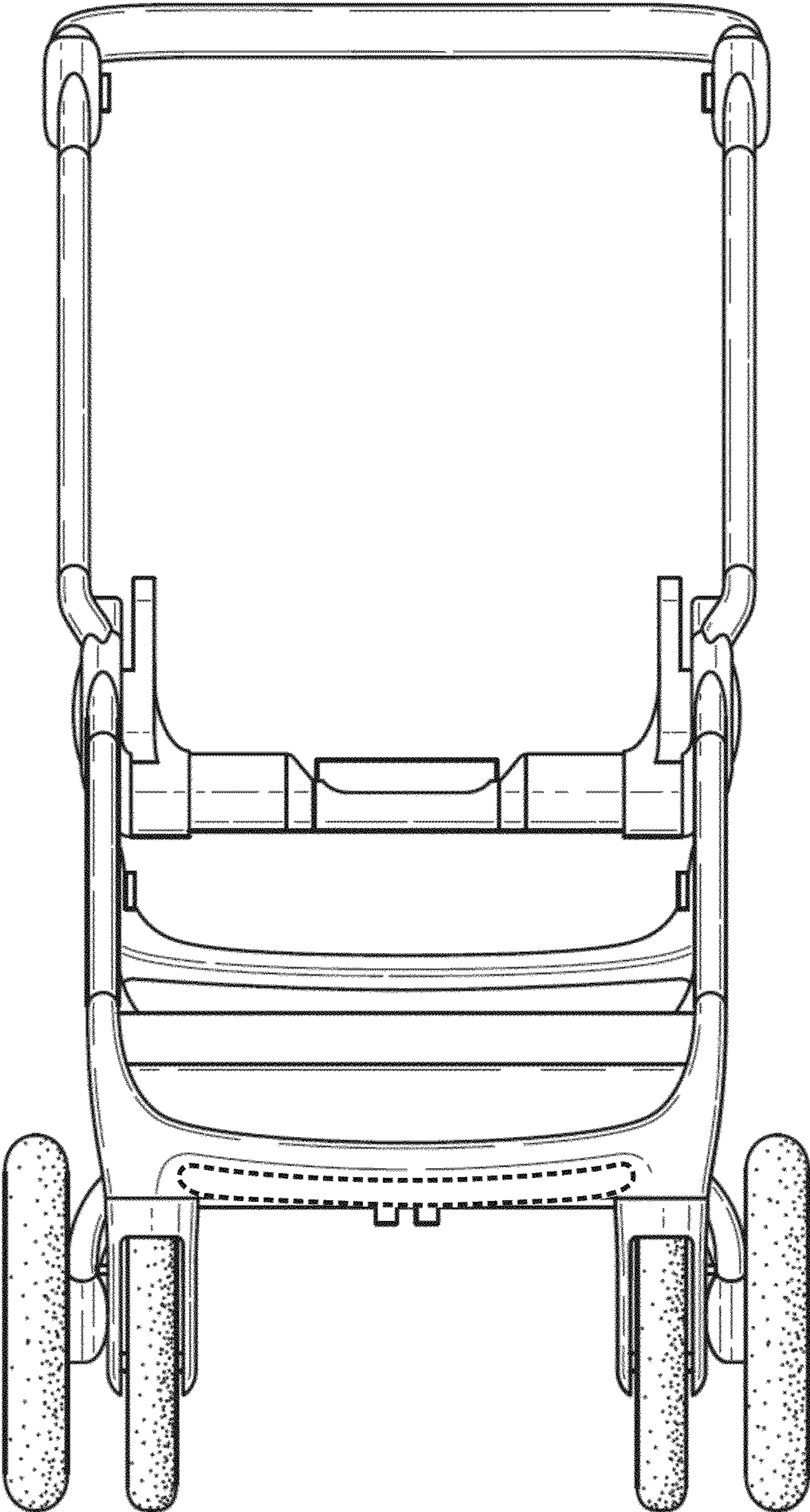


Fig. 2

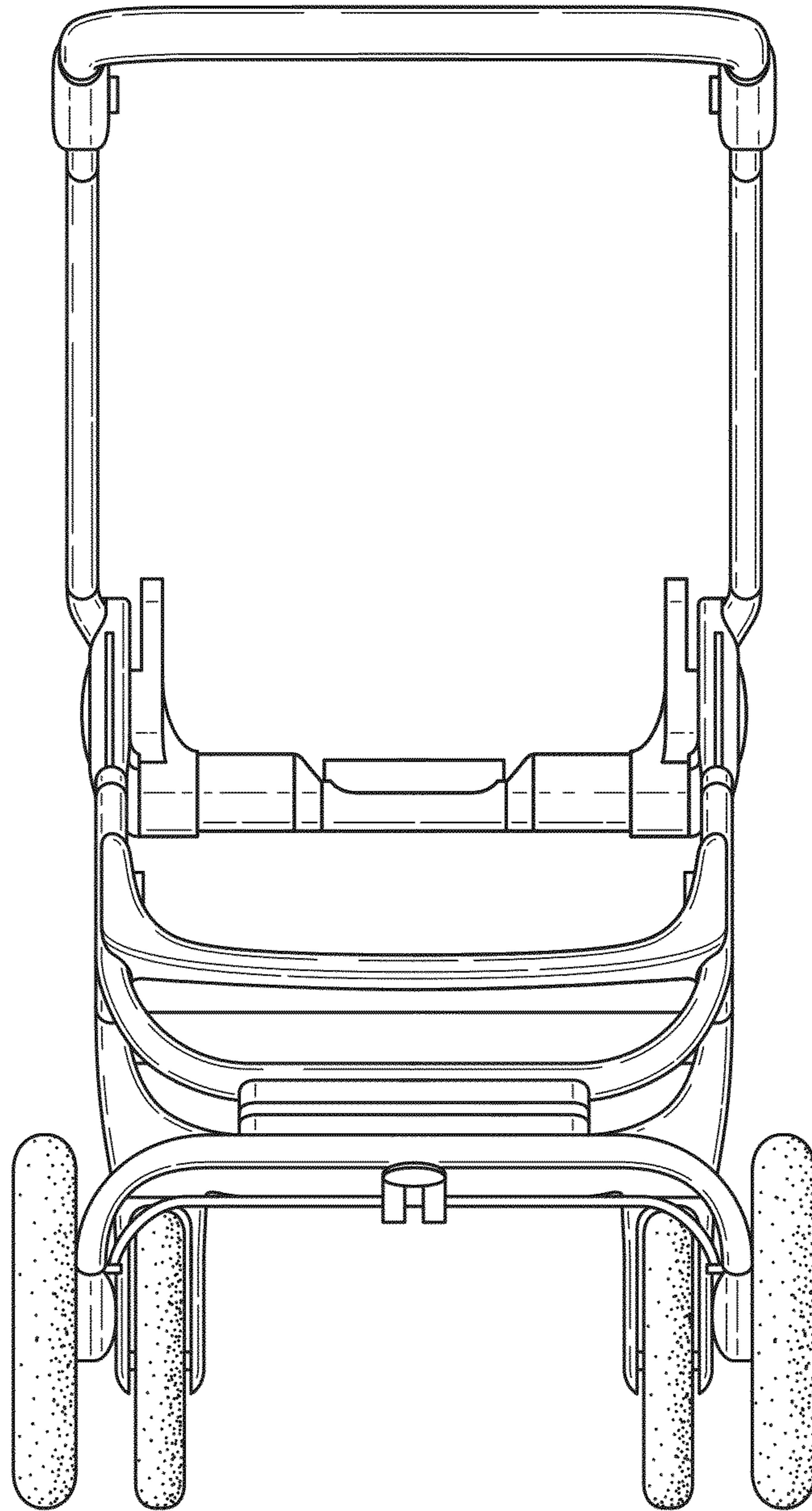


Fig. 3

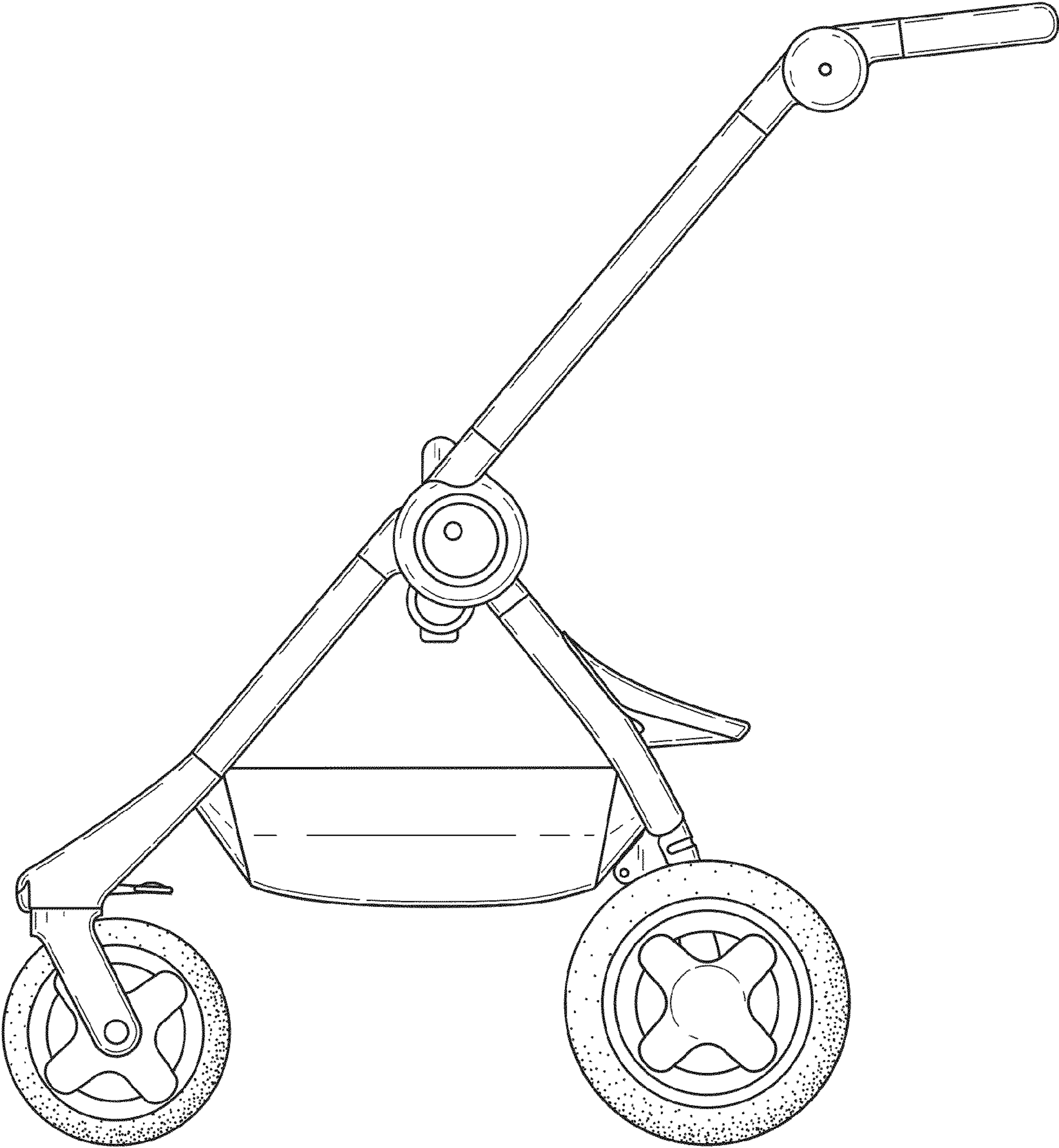


Fig. 4

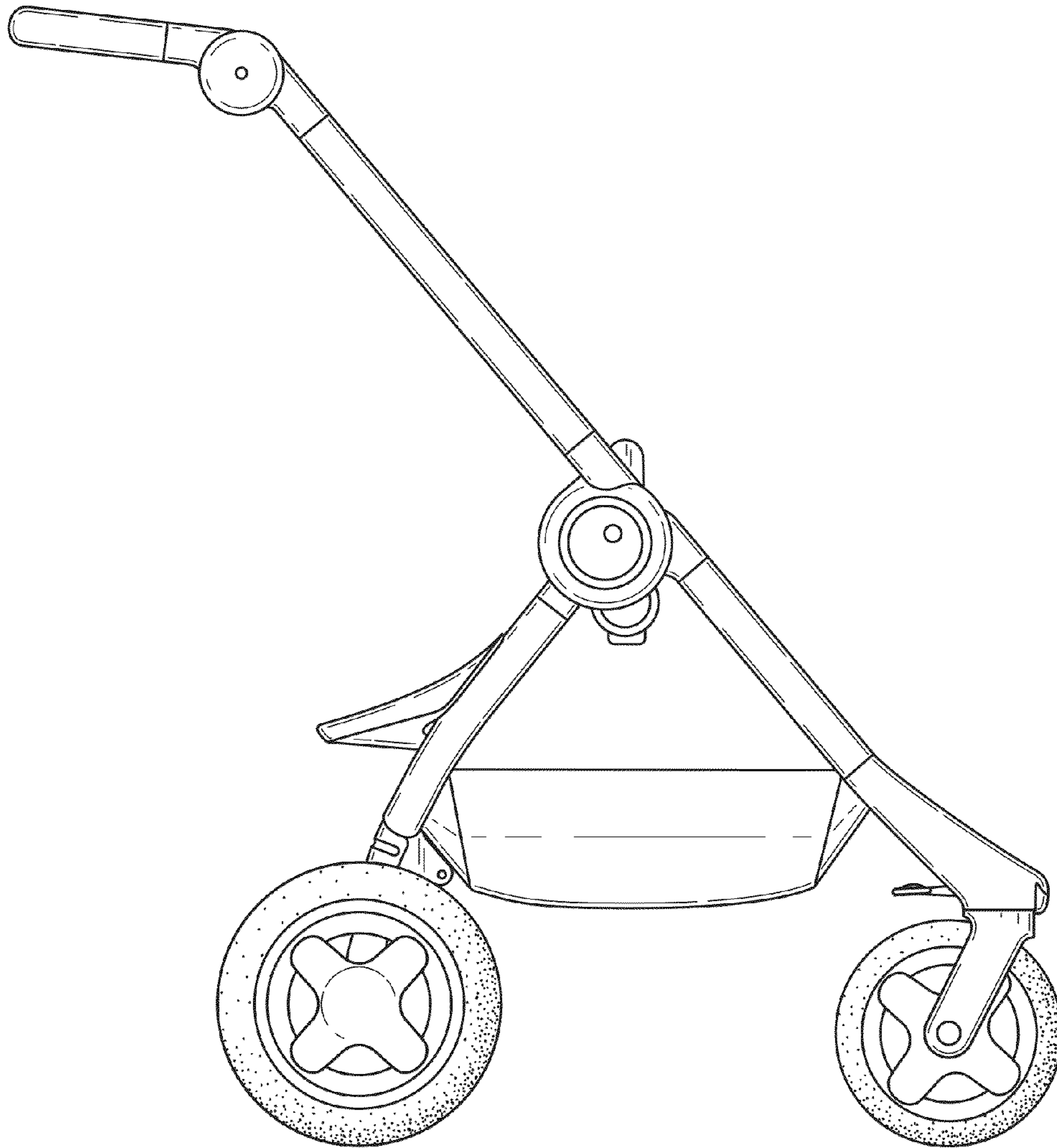


Fig. 5

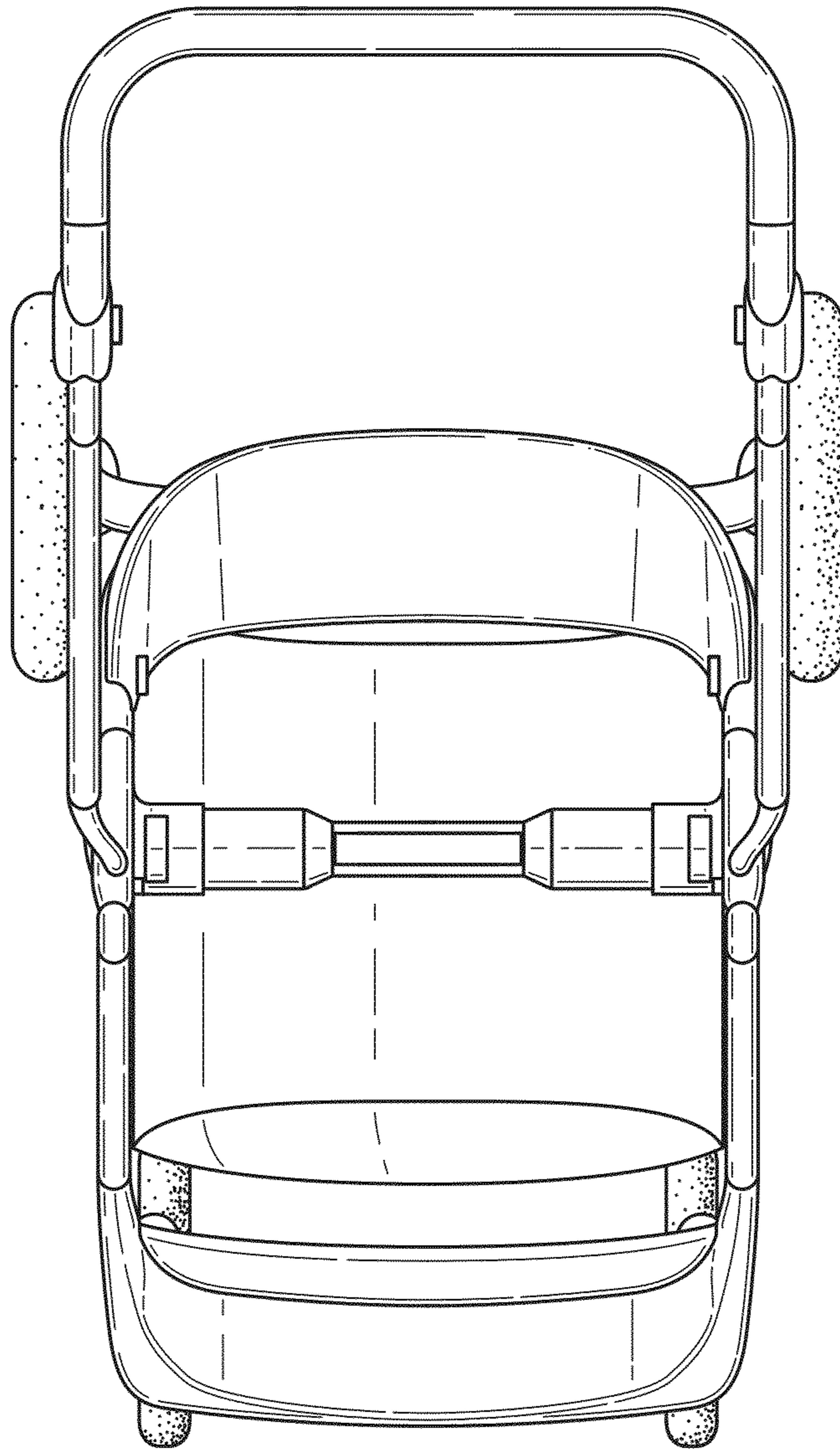


Fig. 6

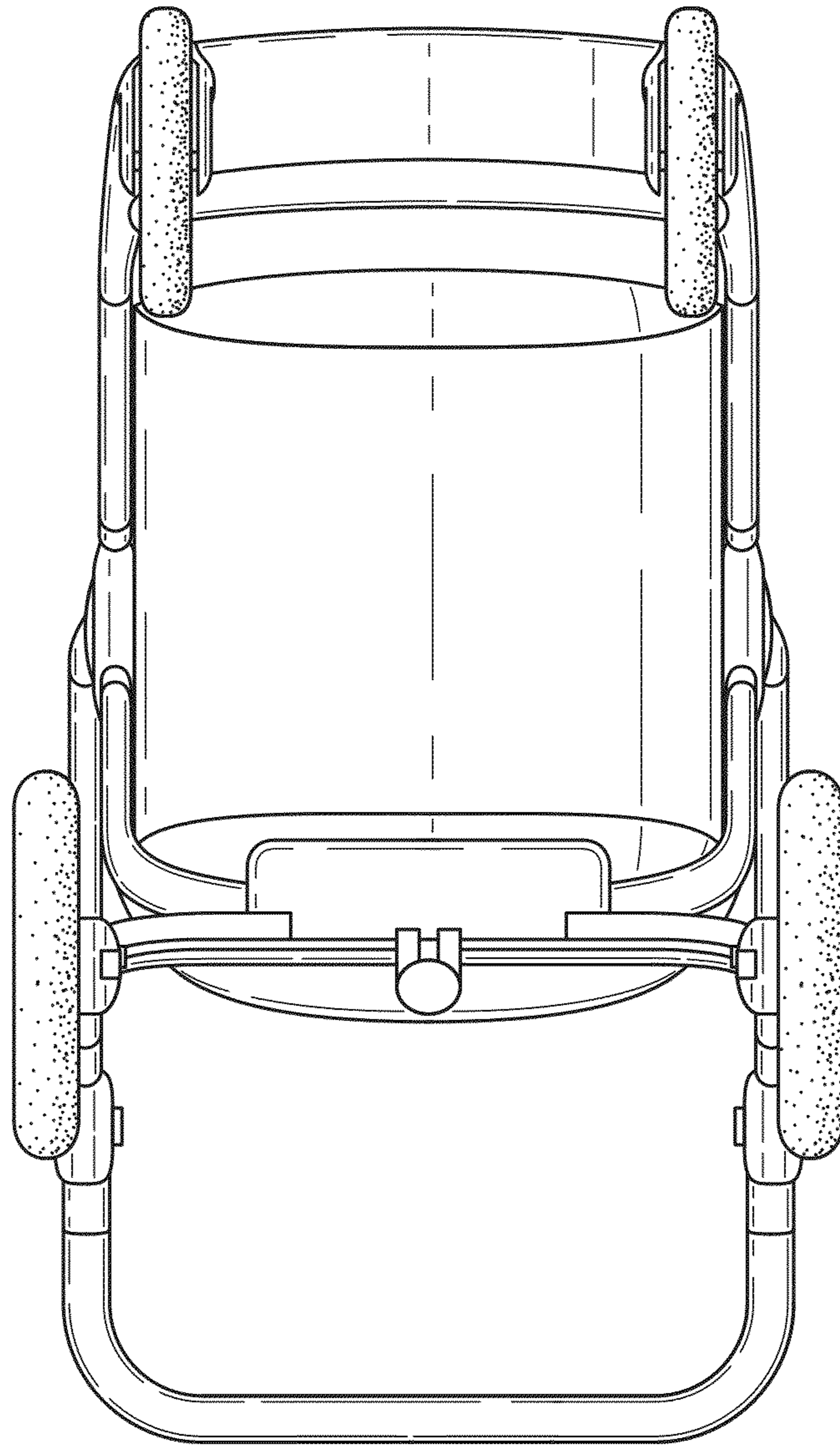


Fig. 7