



US00D754032S

(12) **United States Design Patent**
Meredith et al.

(10) **Patent No.:** **US D754,032 S**
(45) **Date of Patent:** **** Apr. 19, 2016**

- (54) **BICYCLE RACK**
- (71) Applicant: **LANDSCAPE FORMS, INC.**,
Kalamazoo, MI (US)
- (72) Inventors: **Tony Meredith**, San Francisco, CA
(US); **Cormac Eubanks**, San Francisco,
CA (US); **Chris Briolat**, Kalamazoo, MI
(US); **Brian P. Revoir**, Vicksburg, MI
(US)
- (73) Assignee: **LANDSCAPE FORMS, INC.**,
Kalamazoo, MI (US)

D602,403 S *	10/2009	Shaha	D12/115
D605,093 S *	12/2009	Lohr	D12/115
D620,845 S *	8/2010	Scholtz	D12/115
D632,616 S *	2/2011	Lohr	D12/115
D658,551 S *	5/2012	Skalka	D12/115
D665,709 S *	8/2012	Longfellow	D12/115
D689,410 S *	9/2013	Nadel	D12/115
D694,684 S *	12/2013	Lee	D12/184
D694,685 S *	12/2013	Lee	D12/184
D700,120 S *	2/2014	Lee	D12/184
D707,164 S *	6/2014	Lee	D12/184
D719,491 S *	12/2014	Rayl	D12/115
D719,492 S *	12/2014	Rayl	D12/115
D730,247 S *	5/2015	Weeks	D12/115

- (**) Term: **14 Years**
- (21) Appl. No.: **29/504,062**
- (22) Filed: **Oct. 1, 2014**
- (51) **LOC (10) Cl.** **12-11**
- (52) **U.S. Cl.**
USPC **D12/115**
- (58) **Field of Classification Search**
USPC D12/115, 120; 211/5, 17-22; 280/293;
224/42.11, 42.12, 42.13, 42.26, 309,
224/324, 325, 533, 545, 924; 248/176.1,
248/309.1
CPC B62H 3/00; B62H 3/10; B62D 43/02;
B60R 9/06; F16M 13/00
See application file for complete search history.

OTHER PUBLICATIONS

Orion Bike Rack, manufactured by Duo-Gard, printout available online on Sep. 3, 2014 at: <http://www.duo-gard.com/products/shelters/bike-shelters/bike-racks-parking>, 1 page.

* cited by examiner

Primary Examiner — Philip S Hyder
Assistant Examiner — Darlington Ly

(74) *Attorney, Agent, or Firm* — Heslin Rothenberg Farley & Mesiti P.C.

(57) **CLAIM**

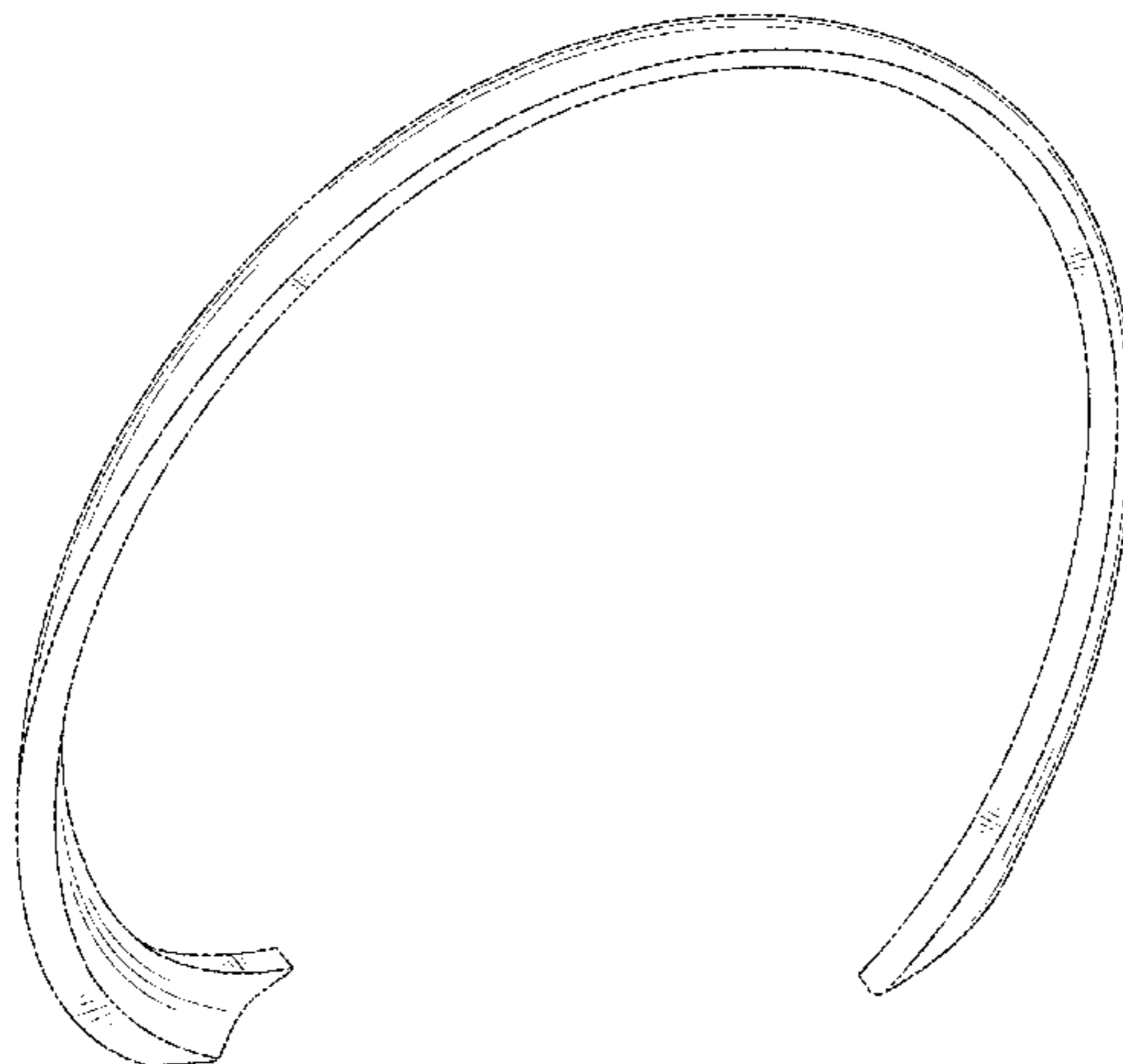
The ornamental design for a bicycle rack, as shown and described.

DESCRIPTION

FIG. 1 is a perspective view of the bicycle rack of the present invention;
FIG. 2 is a front elevation view thereof; the rear elevation view being a mirror image thereof;
FIG. 3 is a right side elevation view thereof; the left side elevation view being a mirror image thereof;
FIG. 4 is a top plan view thereof;
FIG. 5 is a bottom plan view thereof; and,
FIG. 6 is a cross-sectional view taken along sectional line 6-6 in FIG. 2.

1 Claim, 6 Drawing Sheets

- (56) **References Cited**
U.S. PATENT DOCUMENTS
- | | | | | |
|--------------|---------|---------|-------|---------|
| D302,258 S * | 7/1989 | Kalisch | | D12/115 |
| D337,083 S * | 7/1993 | Rankin | | D12/115 |
| D341,342 S * | 11/1993 | Pook | | D12/115 |
| D408,764 S * | 4/1999 | Graber | | D12/115 |
| D409,118 S * | 5/1999 | Graber | | D12/115 |
| D449,567 S * | 10/2001 | Denney | | D12/115 |
| D519,062 S * | 4/2006 | Hartger | | D12/115 |
| D585,793 S * | 2/2009 | Skalka | | D12/115 |
| D588,050 S * | 3/2009 | Levine | | D12/115 |
| D595,189 S * | 6/2009 | Palmer | | D12/115 |



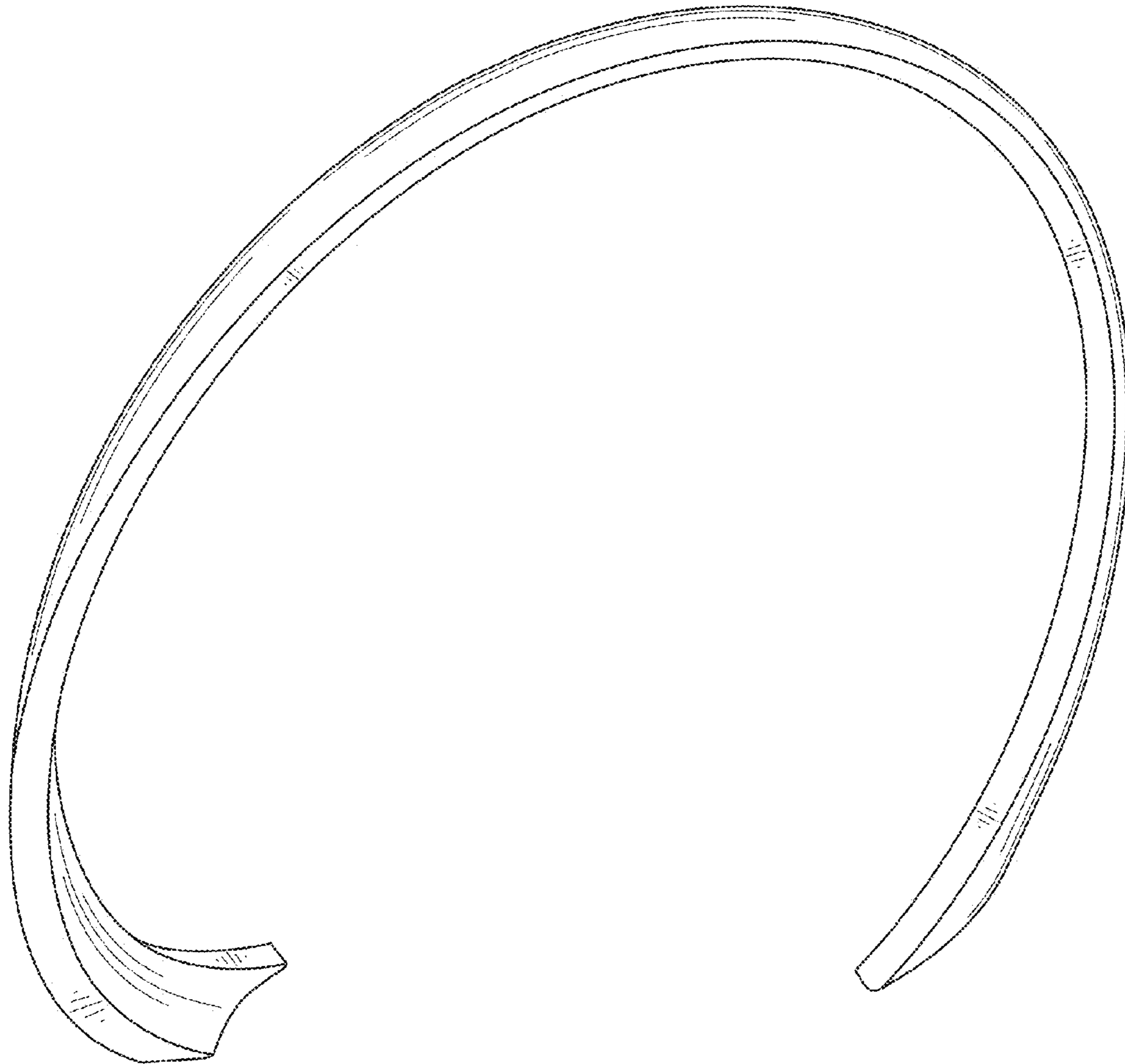


FIG. 1

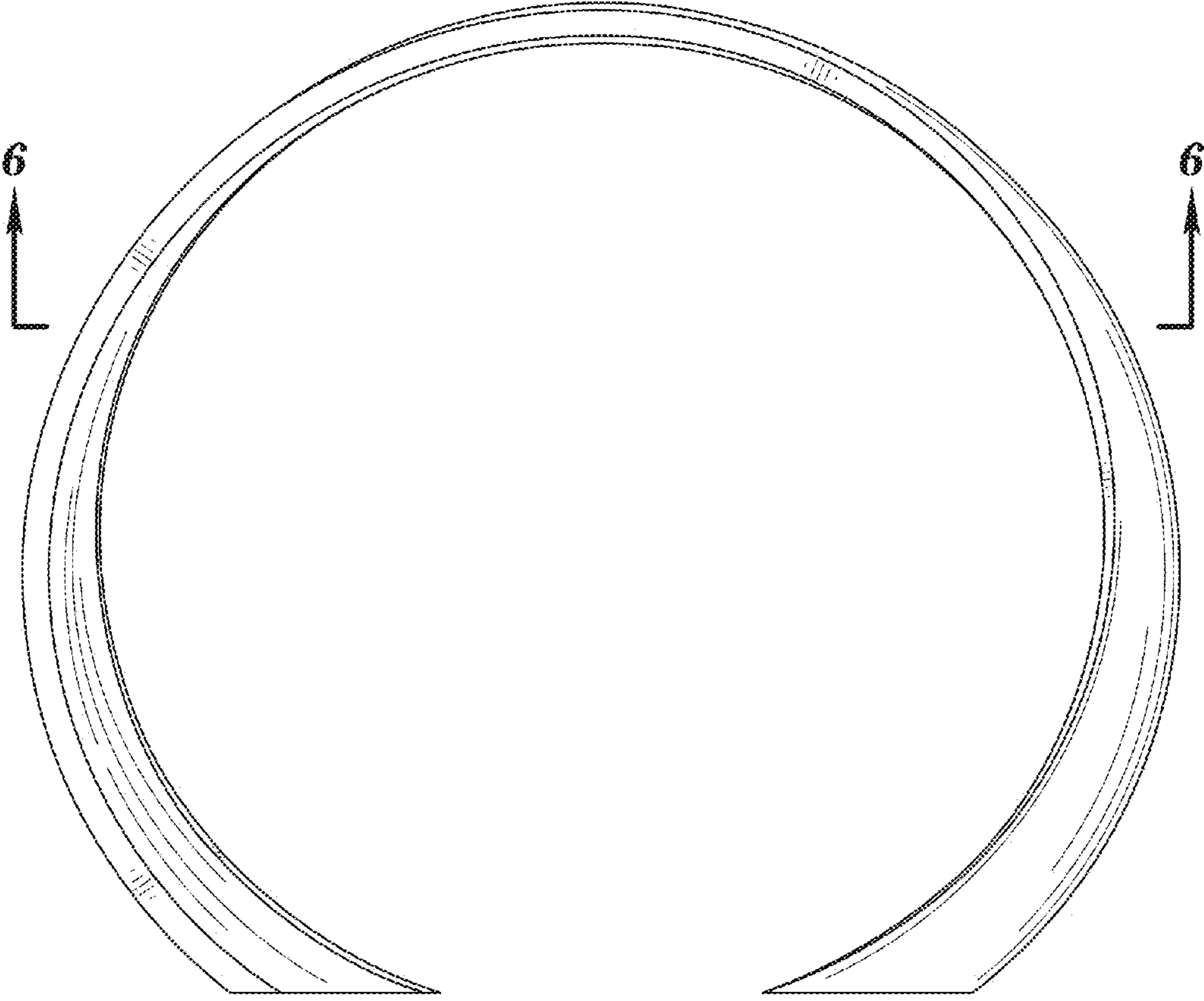


FIG. 2

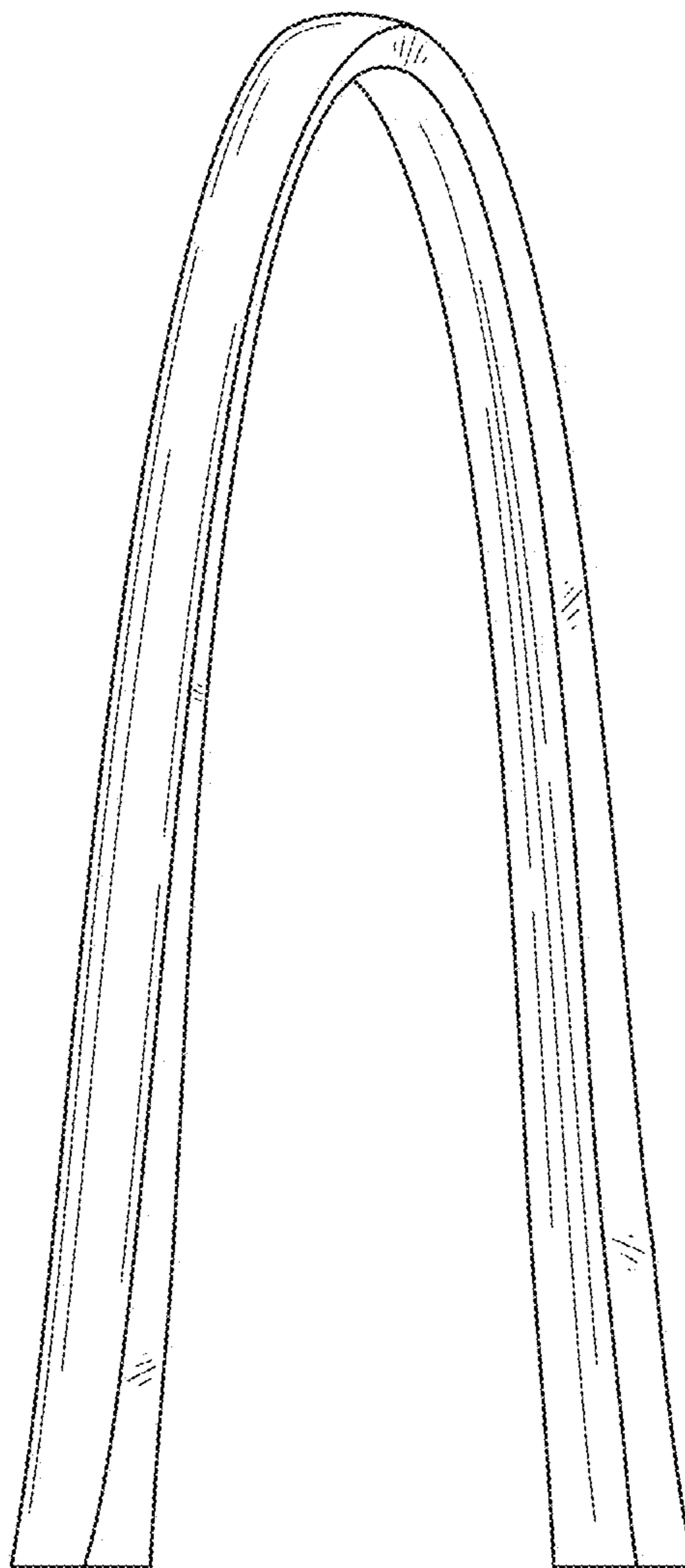


FIG. 3

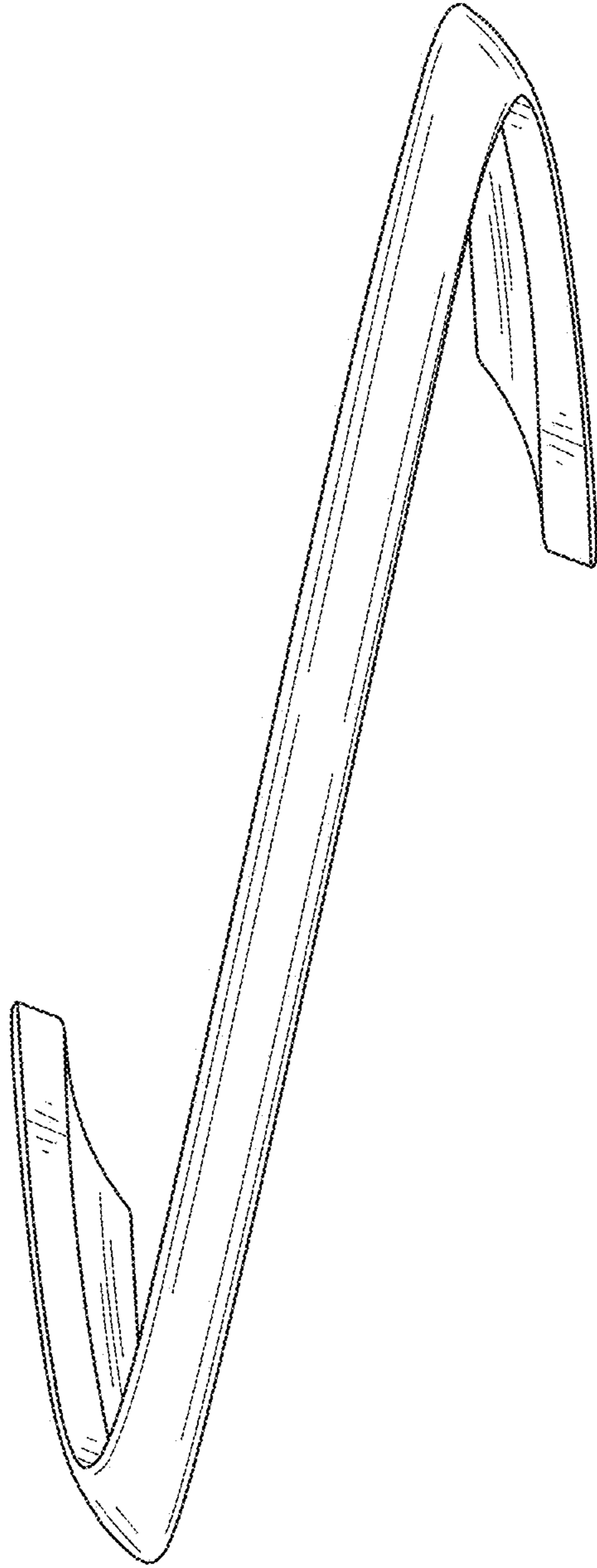


FIG. 4

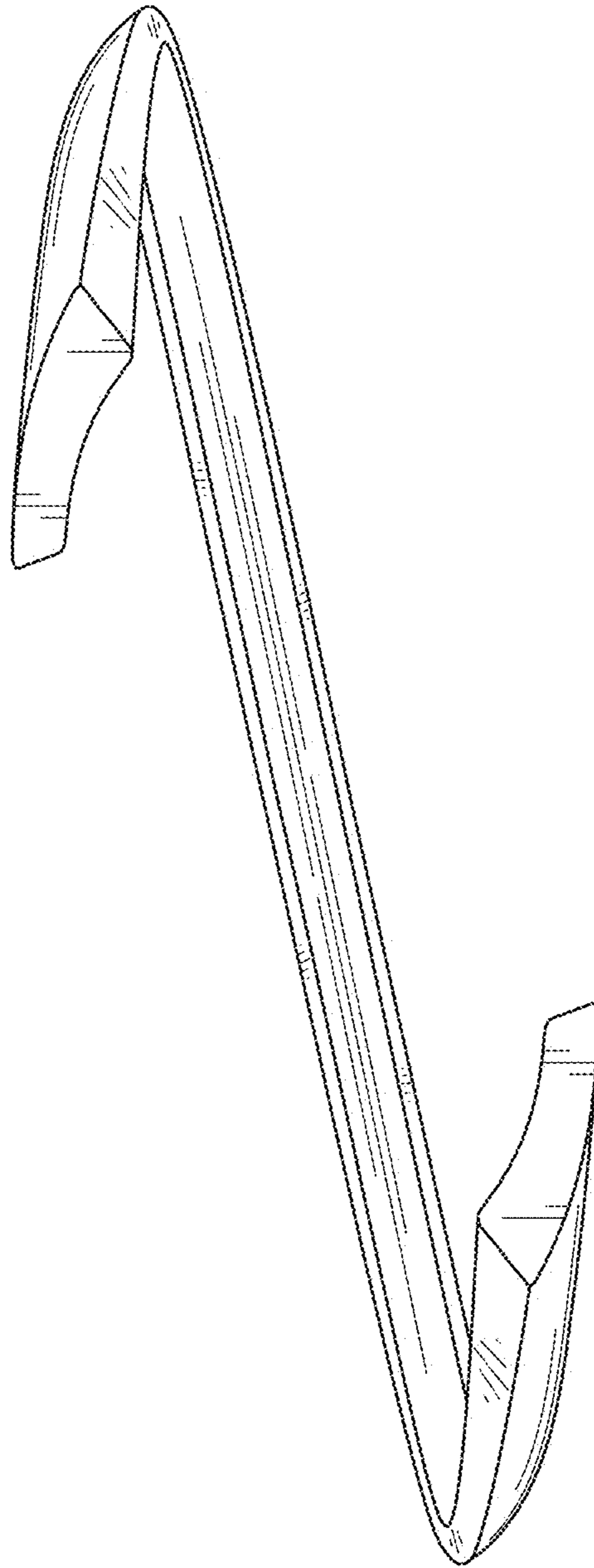


FIG. 5

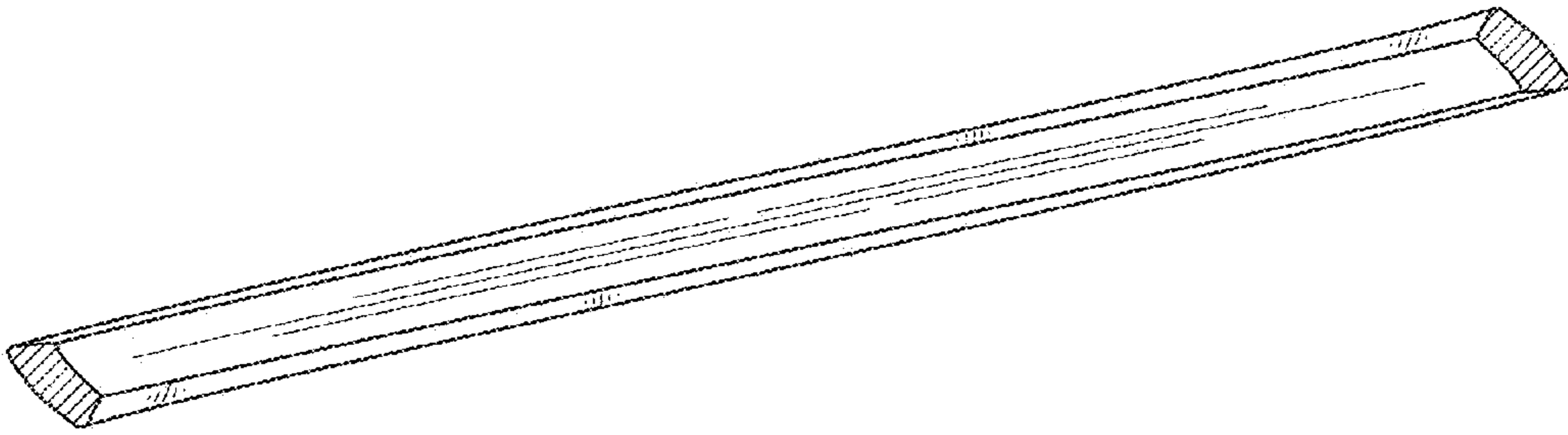


FIG. 6