



US00D754030S

(12) **United States Design Patent**
Straub et al.

(10) **Patent No.:** **US D754,030 S**
(45) **Date of Patent:** **** Apr. 19, 2016**

(54) **TIE GRIPPER FINGER**
(71) Applicant: **NORDCO INC.**, Oak Creek, WI (US)
(72) Inventors: **William D. Straub**, Elm Grove, WI (US); **Leary C. Peterson**, Franklin, WI (US)
(73) Assignee: **Nordco Inc.**, Oak Creek, WI (US)
(**) Term: **14 Years**
(21) Appl. No.: **29/496,593**
(22) Filed: **Jul. 15, 2014**
(51) **LOC (10) Cl.** **12-03**
(52) **U.S. Cl.**
USPC **D12/51**
(58) **Field of Classification Search**
USPC D12/49, 50, 51; D8/88, 5, 14; 29/244;
294/119.1; 104/17.2, 17.1, 16, 9
CPC E01B 29/24; Y10T 29/53843; Y10T
29/53796; Y10T 29/53943; B25C 11/00
See application file for complete search history.

8,322,686 B2 * 12/2012 Irion E01B 29/24
254/18
8,485,103 B2 * 7/2013 Miller E01B 29/26
104/17.2
8,567,571 B1 * 10/2013 Neff B61H 13/00
104/259
D710,757 S * 8/2014 Noll D12/51
2009/0139071 A1 * 6/2009 Palka B25B 27/02
29/259
2010/0115748 A1 * 5/2010 Lin B25B 27/02
29/259
2011/0072998 A1 * 3/2011 Noll E01B 29/32
104/16
2011/0308421 A1 * 12/2011 Pritzl E01B 29/32
104/17.2
2013/0055539 A1 * 3/2013 Irion E01B 29/24
29/244
2013/0319279 A1 * 12/2013 Melville E01B 29/24
104/2
2015/0223522 A1 * 8/2015 Ampolini A24F 47/008
131/328

* cited by examiner

Primary Examiner — T. Chase Nelson

Assistant Examiner — Ania Aman

(74) *Attorney, Agent, or Firm* — Greer, Burns & Crain, Ltd.

(57) **CLAIM**

The ornamental design for a tie gripper finger, as shown and described.

DESCRIPTION

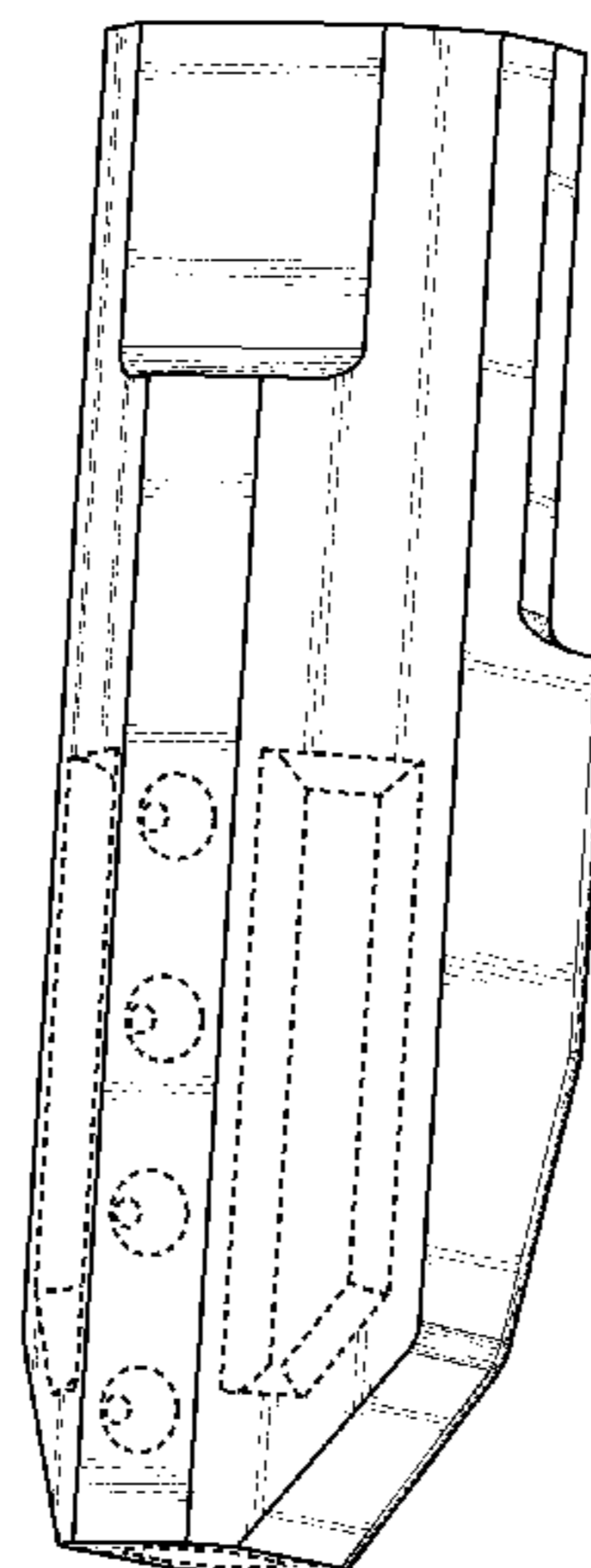
FIG. 1 is a top perspective view of the present tie gripper finger;
FIG. 2 is a left side view of same, the sides being mirror images of each other;
FIG. 3 is a front view of the gripper finger of FIG. 1;
FIG. 4 is a rear view of same;
FIG. 5 is a top view of the gripper finger of FIG. 1; and,
FIG. 6 is a bottom view of same.
The structure shown in broken lines is for environment purposes only and does not form part of the claimed invention.

1 Claim, 4 Drawing Sheets

(56) **References Cited**

U.S. PATENT DOCUMENTS

4,367,682 A * 1/1983 Freilich E01B 29/32
104/17.2
4,685,618 A * 8/1987 Young E01B 9/48
238/310
5,078,319 A * 1/1992 Owen E01B 3/36
238/264
5,305,692 A * 4/1994 Madison E01B 29/10
104/7.1
D444,157 S * 6/2001 Vant D15/140
7,322,087 B1 * 1/2008 Hu B25B 27/023
29/255
D612,295 S * 3/2010 Noll D12/51
7,810,433 B2 * 10/2010 Kumpfmuller E01B 29/24
104/17.1
8,267,451 B2 * 9/2012 Pedrazzini B25J 13/088
294/119.1



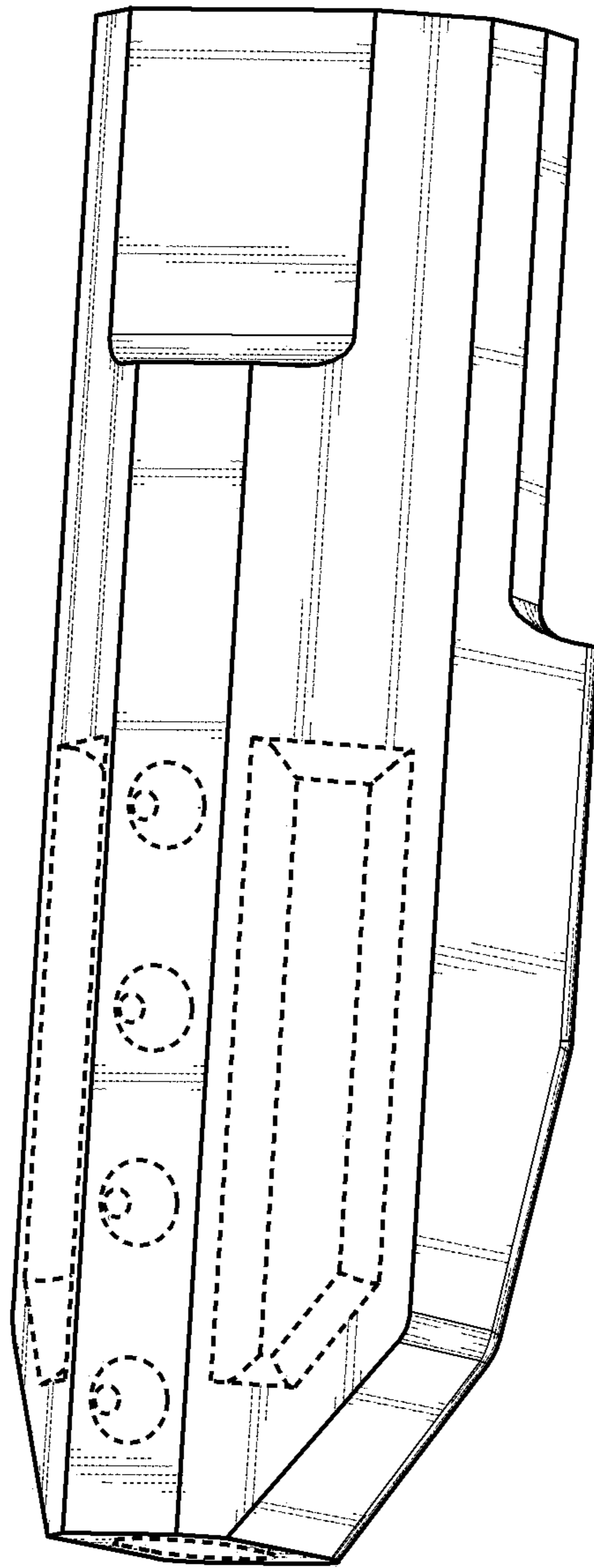


FIG. 1

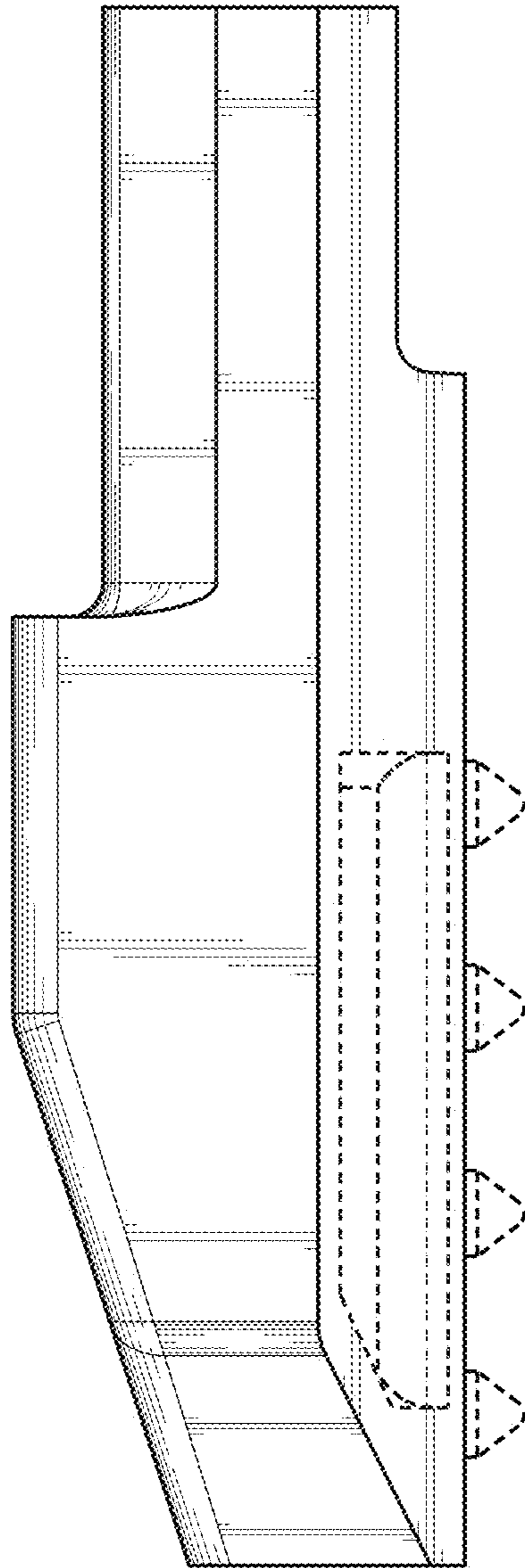


FIG. 2

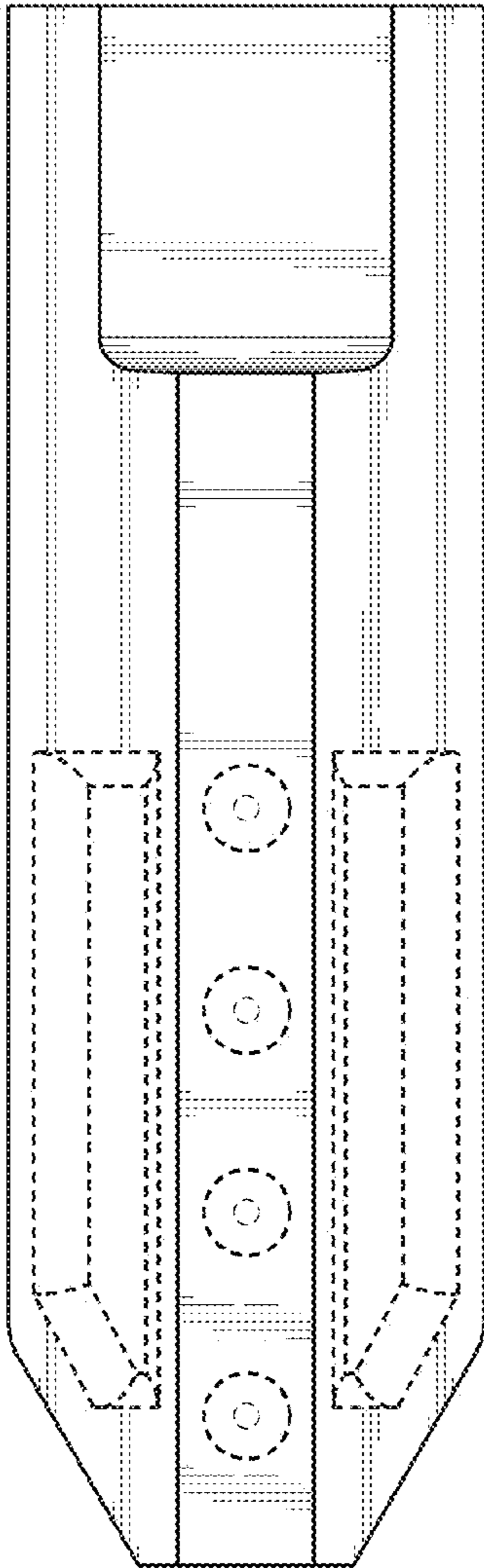


FIG. 3

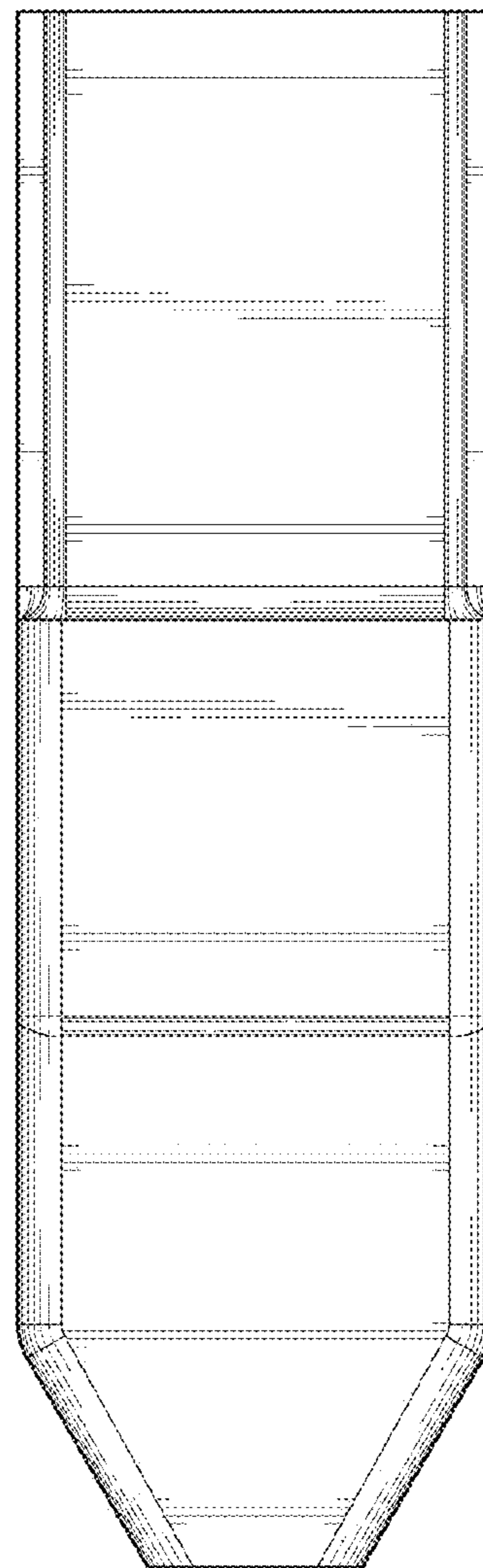


FIG. 4

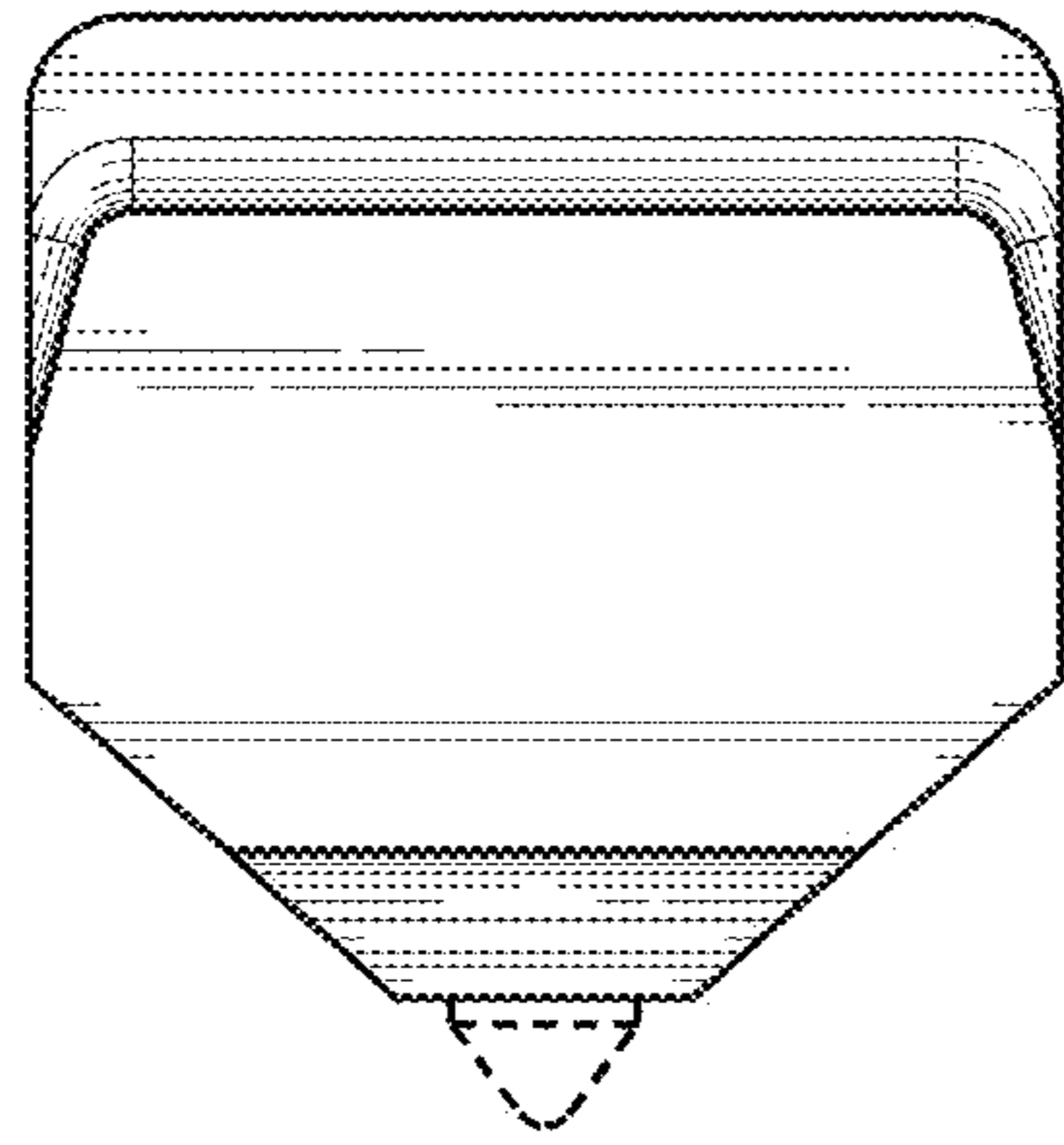


FIG. 5

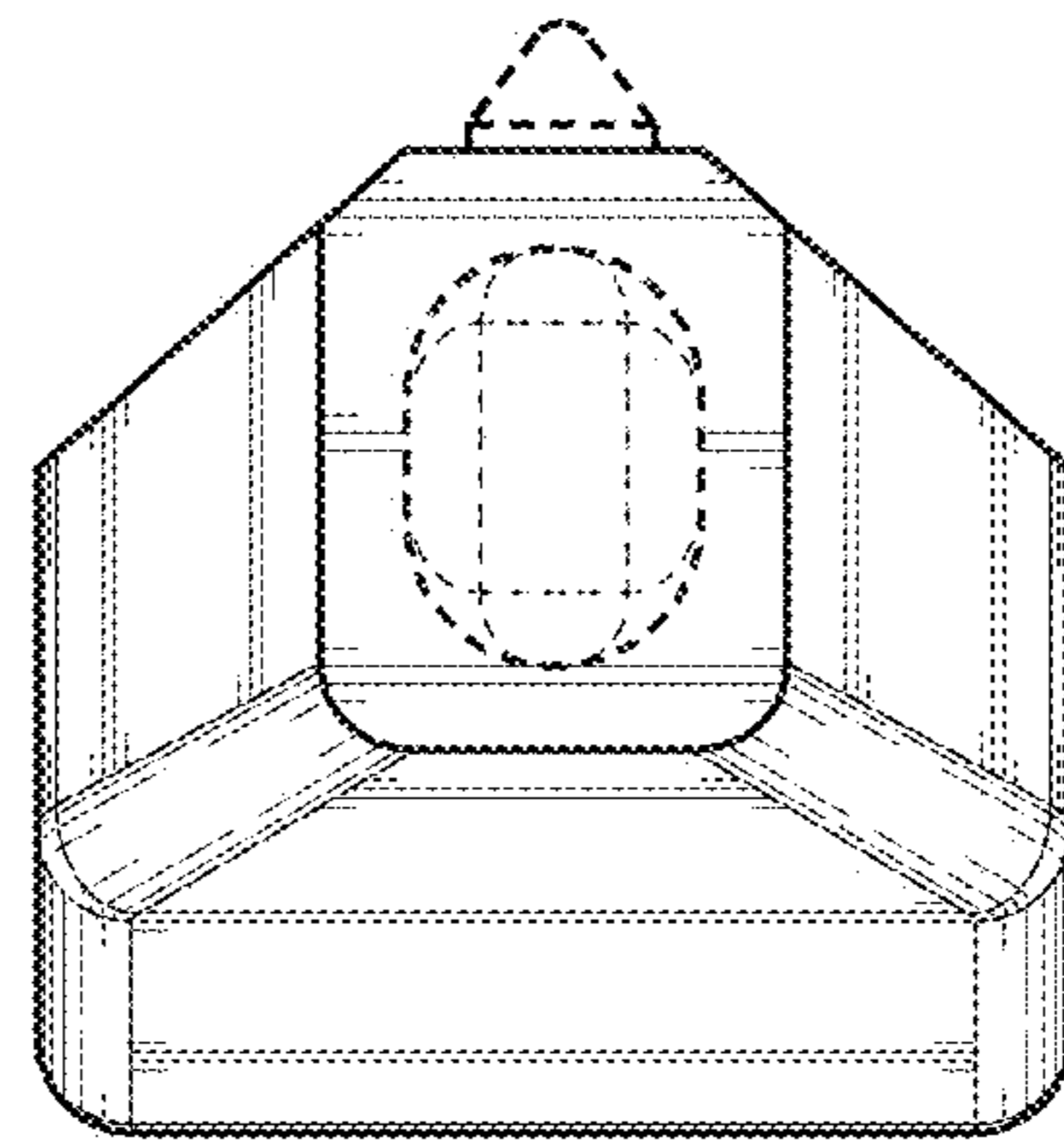


FIG. 6