



US00D754029S

(12) **United States Design Patent**
Wierenga et al.

(10) **Patent No.:** **US D754,029 S**
(45) **Date of Patent:** **** Apr. 19, 2016**

(54) **CLIP ATTACHMENT**

(71) Applicant: **Griffin Technology, Inc.**, Nashville, TN
(US)

(72) Inventors: **Aaron Wierenga**, Nashville, TN (US);
Brittany L. Stewart, Nashville, TN
(US)

(73) Assignee: **Griffin Technology, Inc.**, Nashville, TN
(US)

(**) Term: **14 Years**

(21) Appl. No.: **29/526,152**

(22) Filed: **May 7, 2015**

(51) **LOC (10) Cl.** **02-07**

(52) **U.S. Cl.**
USPC **D11/221**

(58) **Field of Classification Search**
USPC D11/200-201, 221; 24/381-383,
24/385-387, 414-431, 4, 412; 2/265;
D2/641; 294/2, 3.6; 223/111
CPC A44B 19/00; A44B 19/02; A44B 19/04;
A44B 19/10; A44B 19/24; A44B 19/26;
A44B 19/30; A44B 19/06

See application file for complete search history.

(56) **References Cited**

U.S. PATENT DOCUMENTS

D320,957 S *	10/1991	Yuki	D11/200
D324,663 S *	3/1992	Ebata	D11/200
D325,006 S *	3/1992	Oda	D11/200
D325,007 S *	3/1992	Komuro	D11/200
D325,182 S *	4/1992	Terada	D11/200

* cited by examiner

Primary Examiner — Ralf Seifert

(74) *Attorney, Agent, or Firm* — Hornkohl Intellectual
Property Law, PLLC; Jason L. Hornkohl

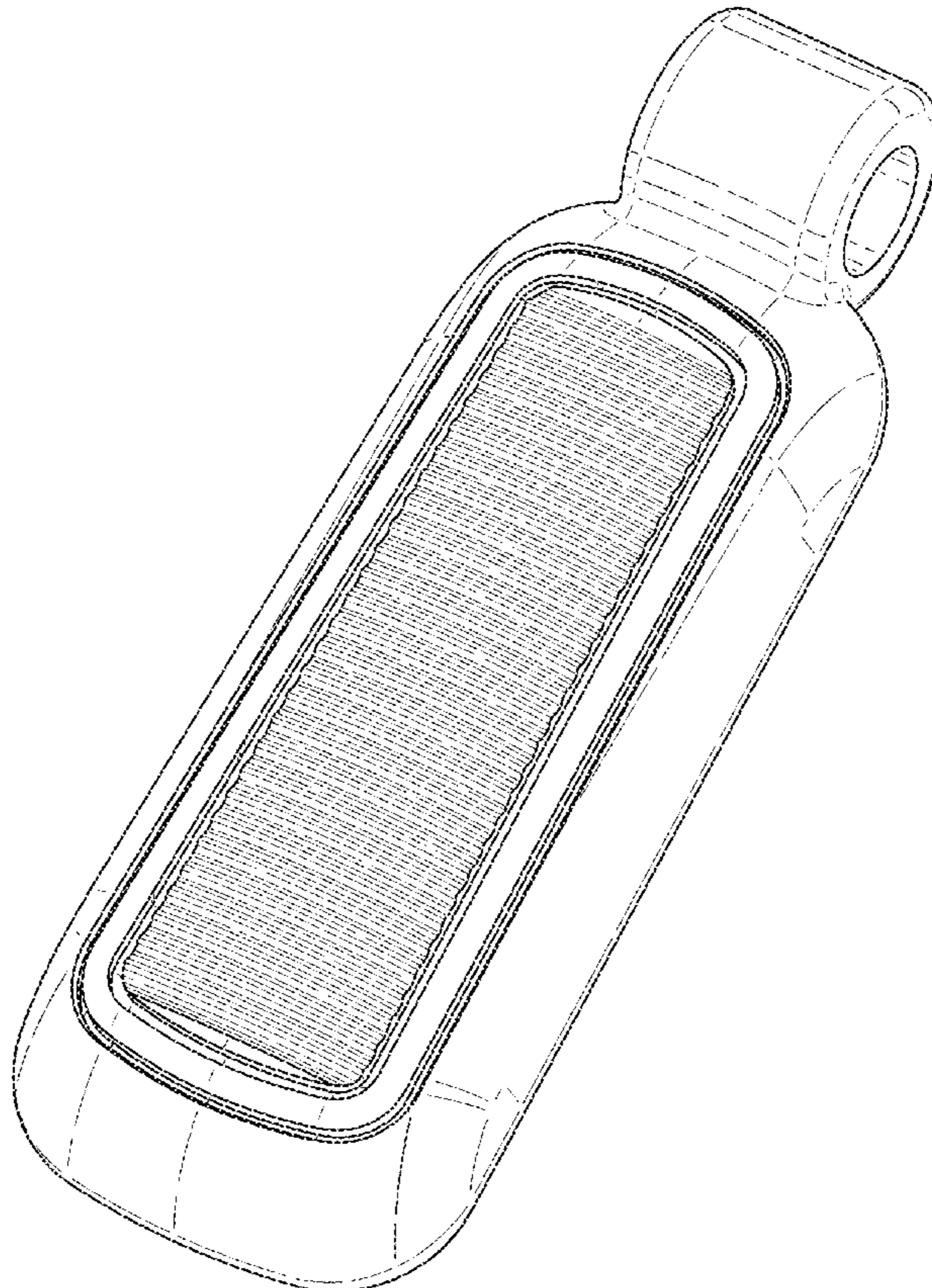
(57) **CLAIM**

The ornamental design for a clip attachment, as shown and
described.

DESCRIPTION

FIG. 1 is a front perspective view of the new design for a clip
attachment;
FIG. 2 is a back perspective view of the clip attachment;
FIG. 3 is a left side view of the clip attachment;
FIG. 4 is a front view of the clip attachment;
FIG. 5 is a right side view of the clip attachment;
FIG. 6 is a back view of the clip attachment;
FIG. 7 is a top view of the clip attachment; and,
FIG. 8 is a bottom view of the clip attachment.
The dashed lines are for illustration purposes only, and form
no part of the claimed design.

1 Claim, 4 Drawing Sheets



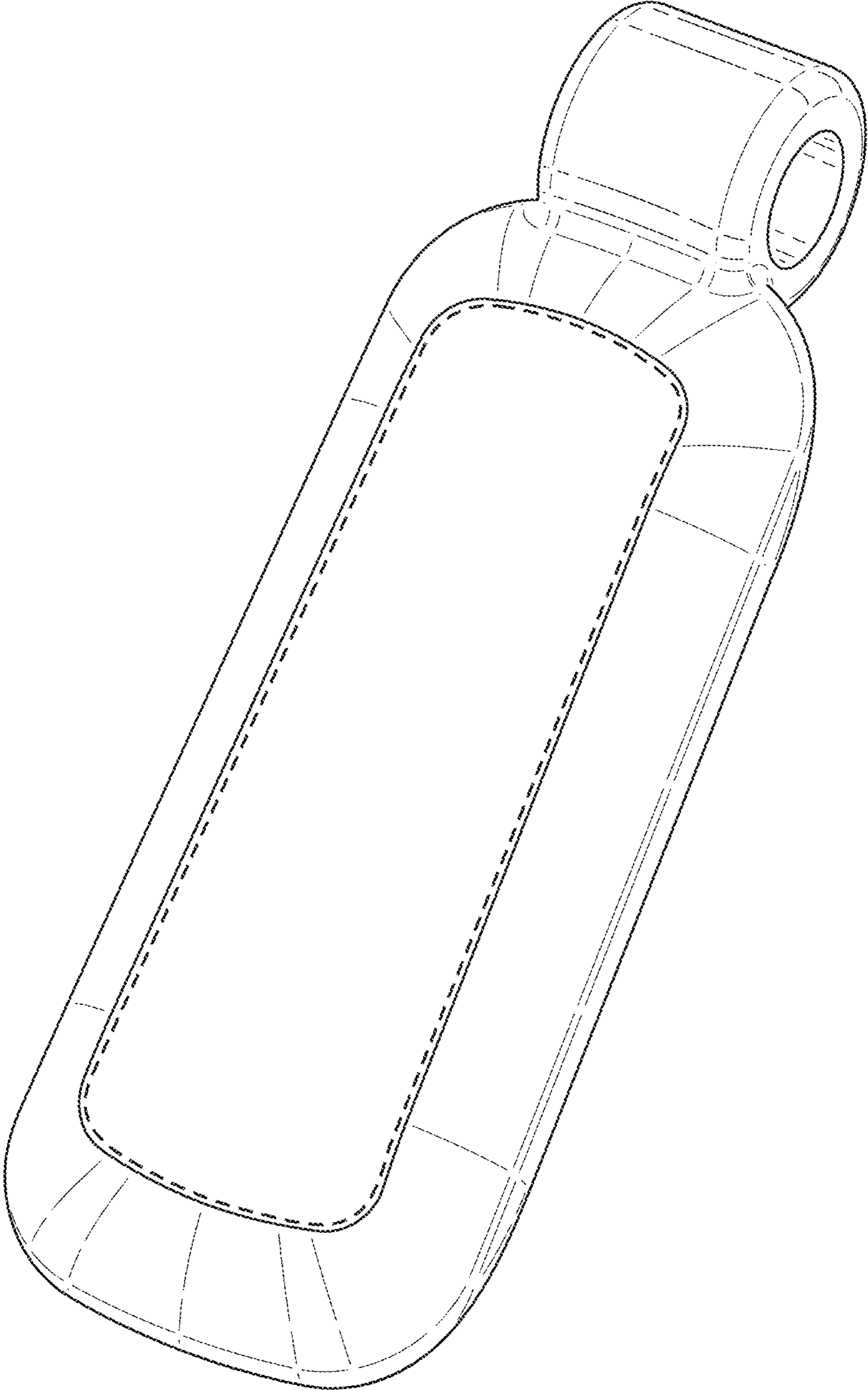


FIG. 1

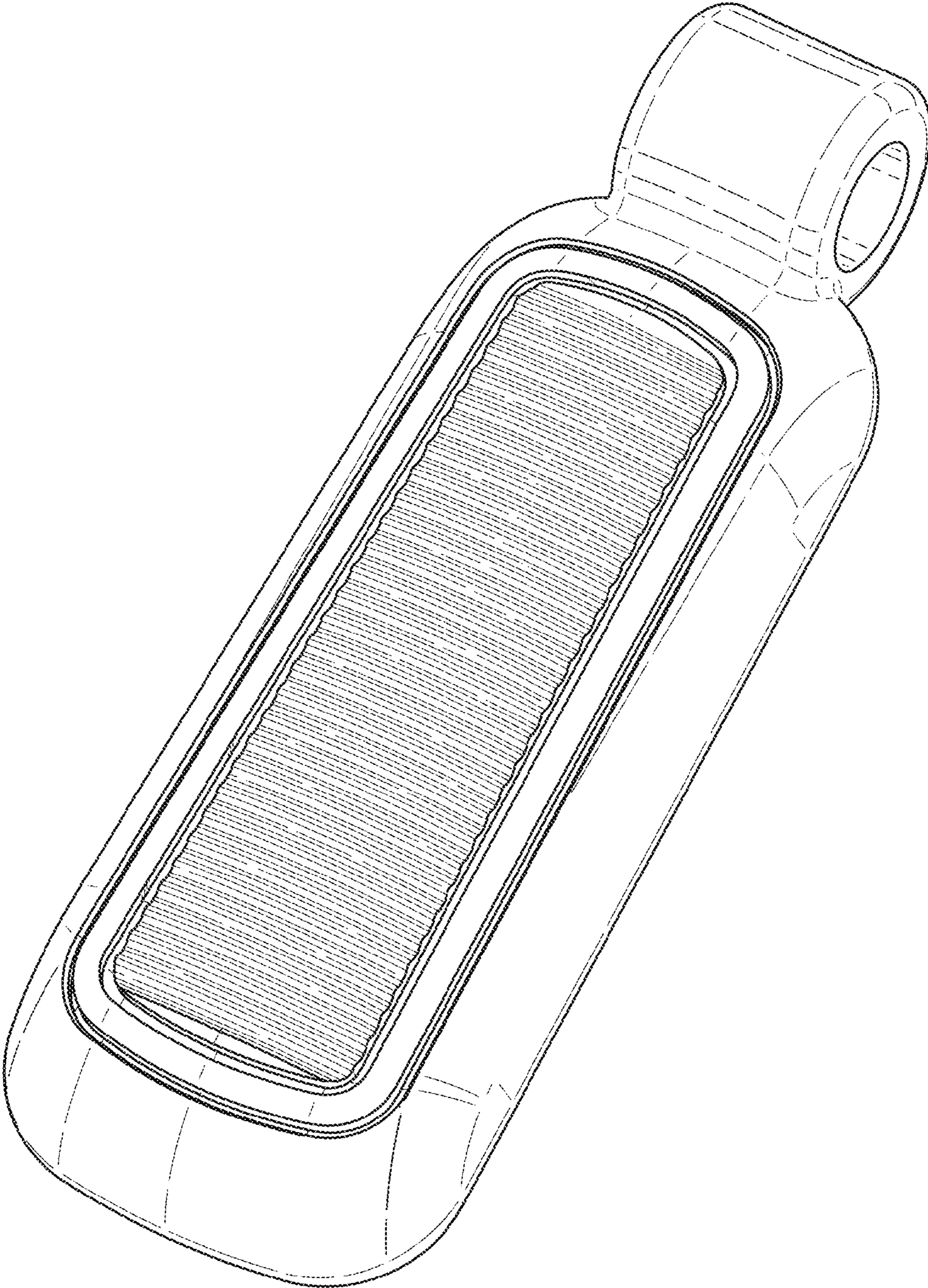


FIG. 2

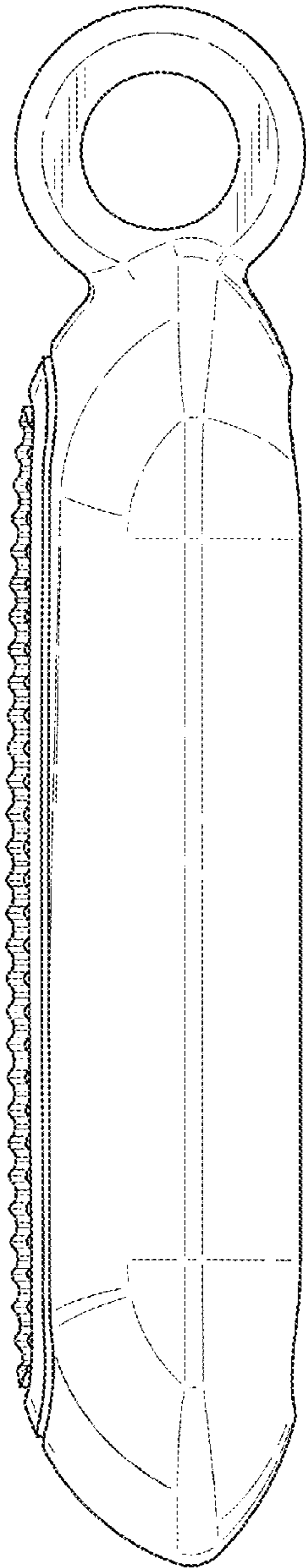


FIG. 3

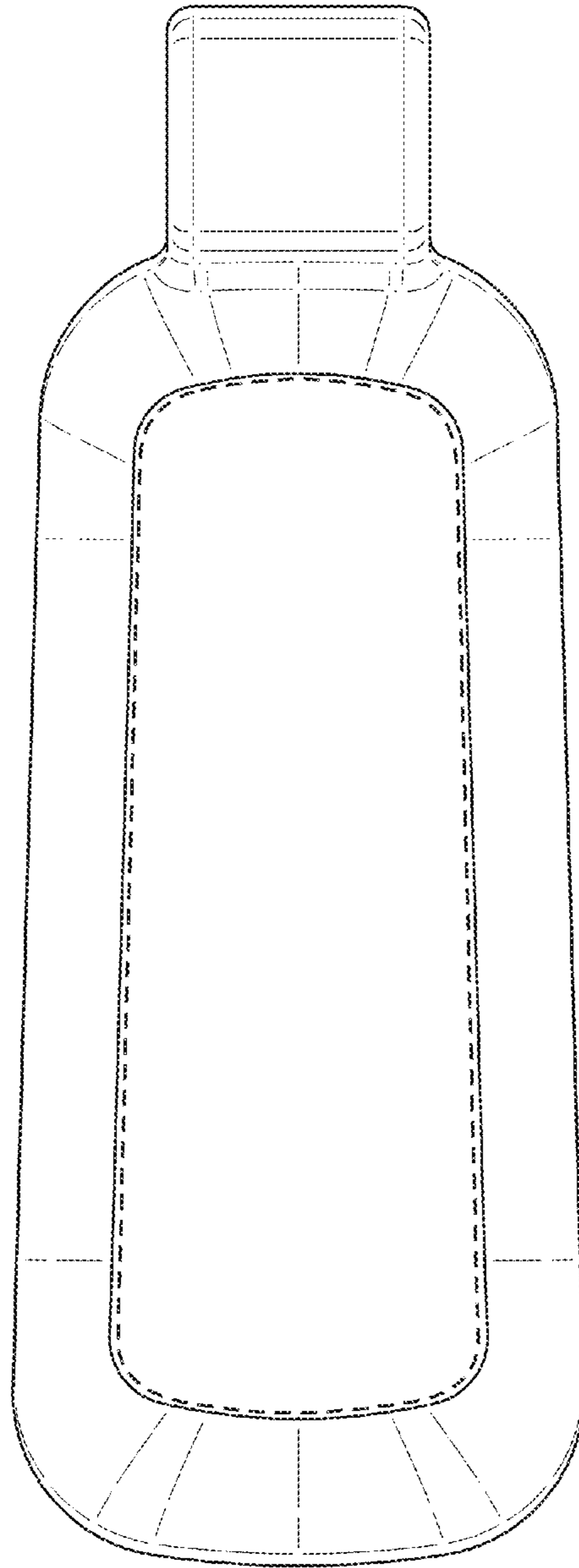


FIG. 4

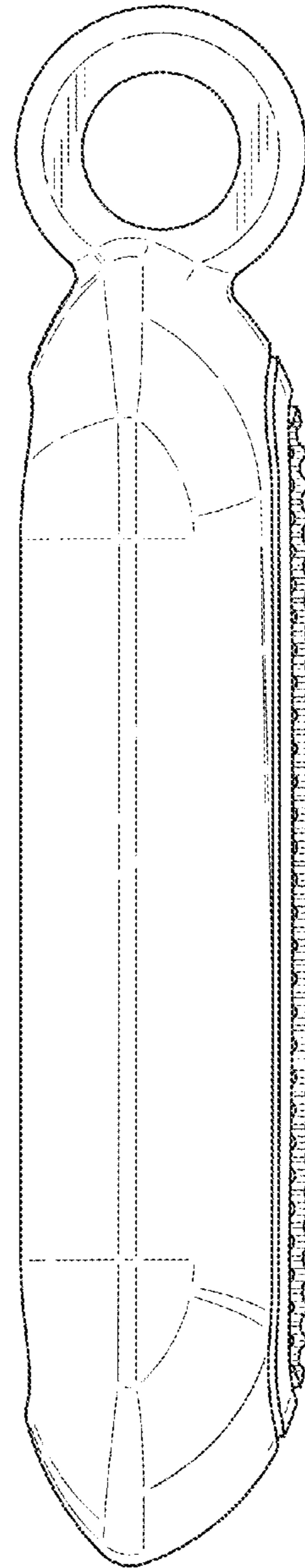


FIG. 5

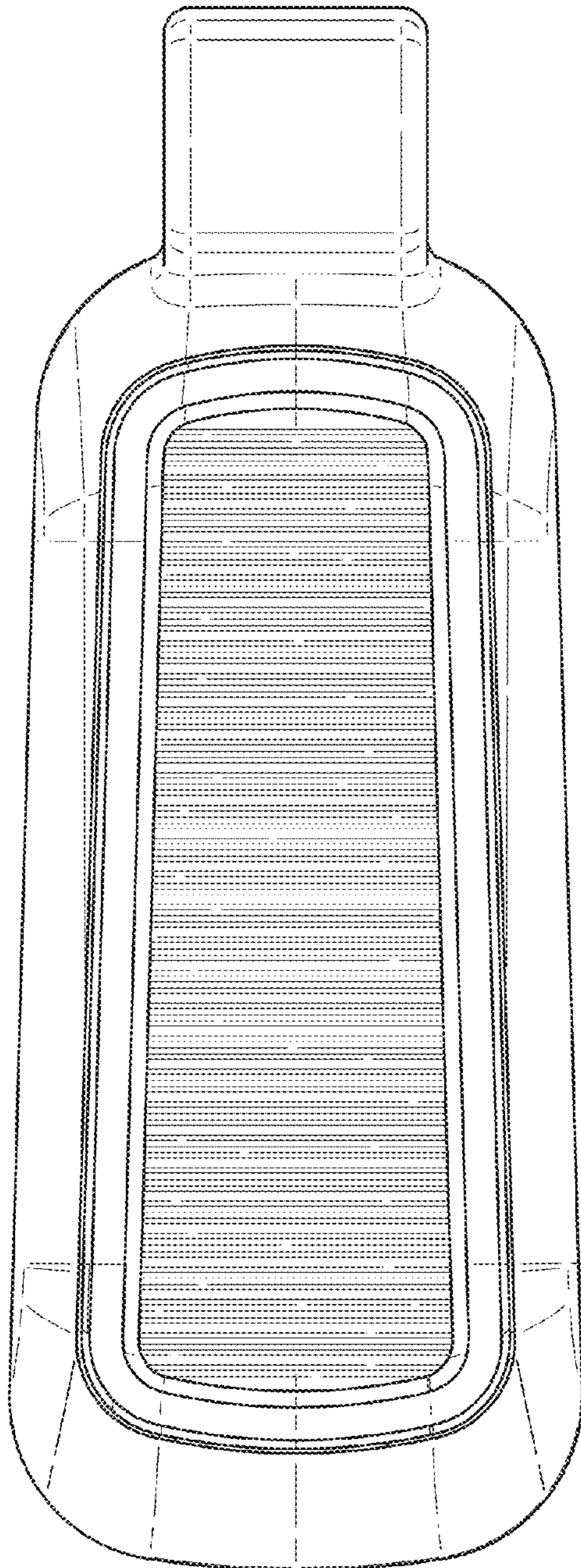


FIG. 6

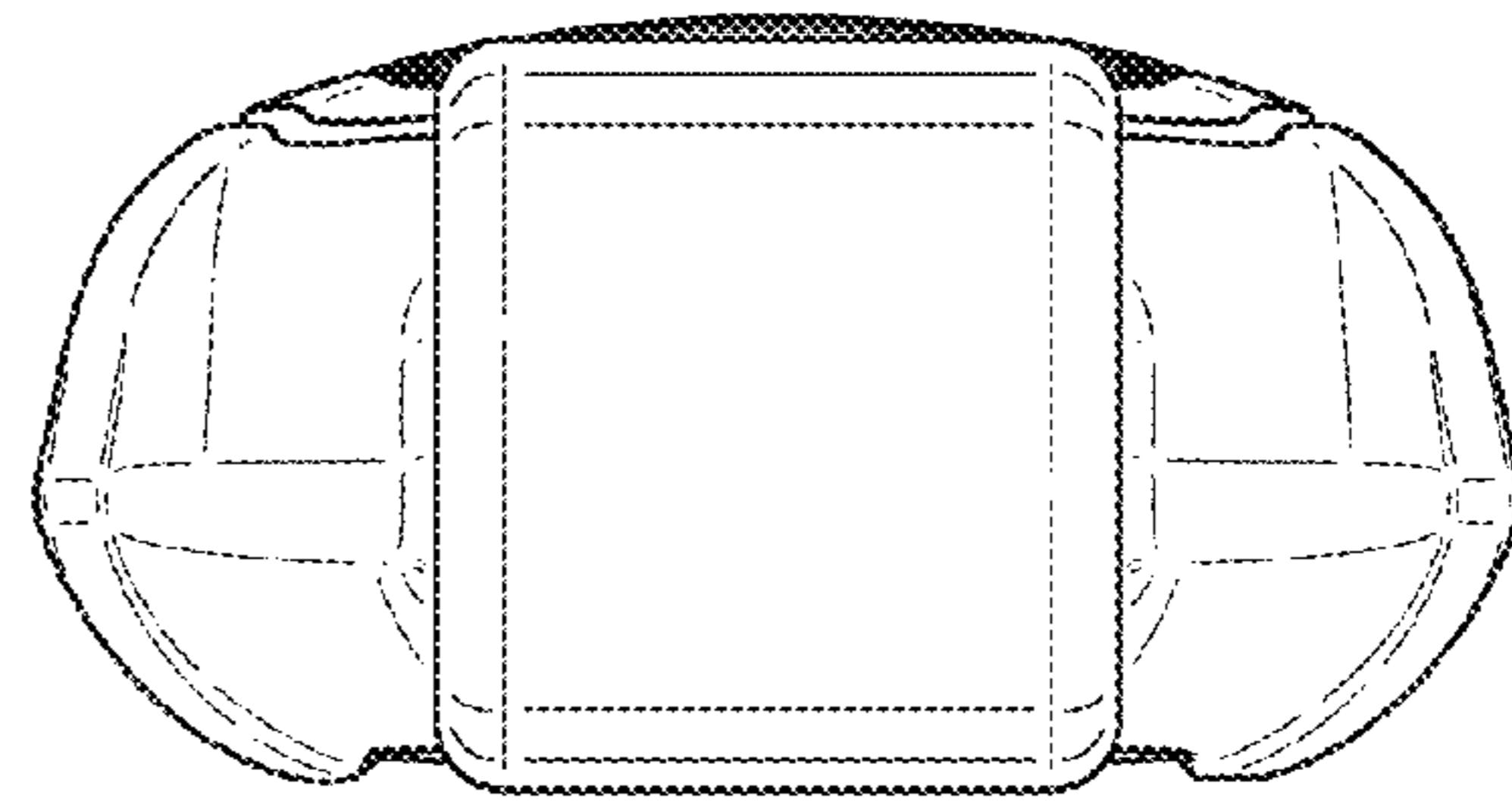


FIG. 7

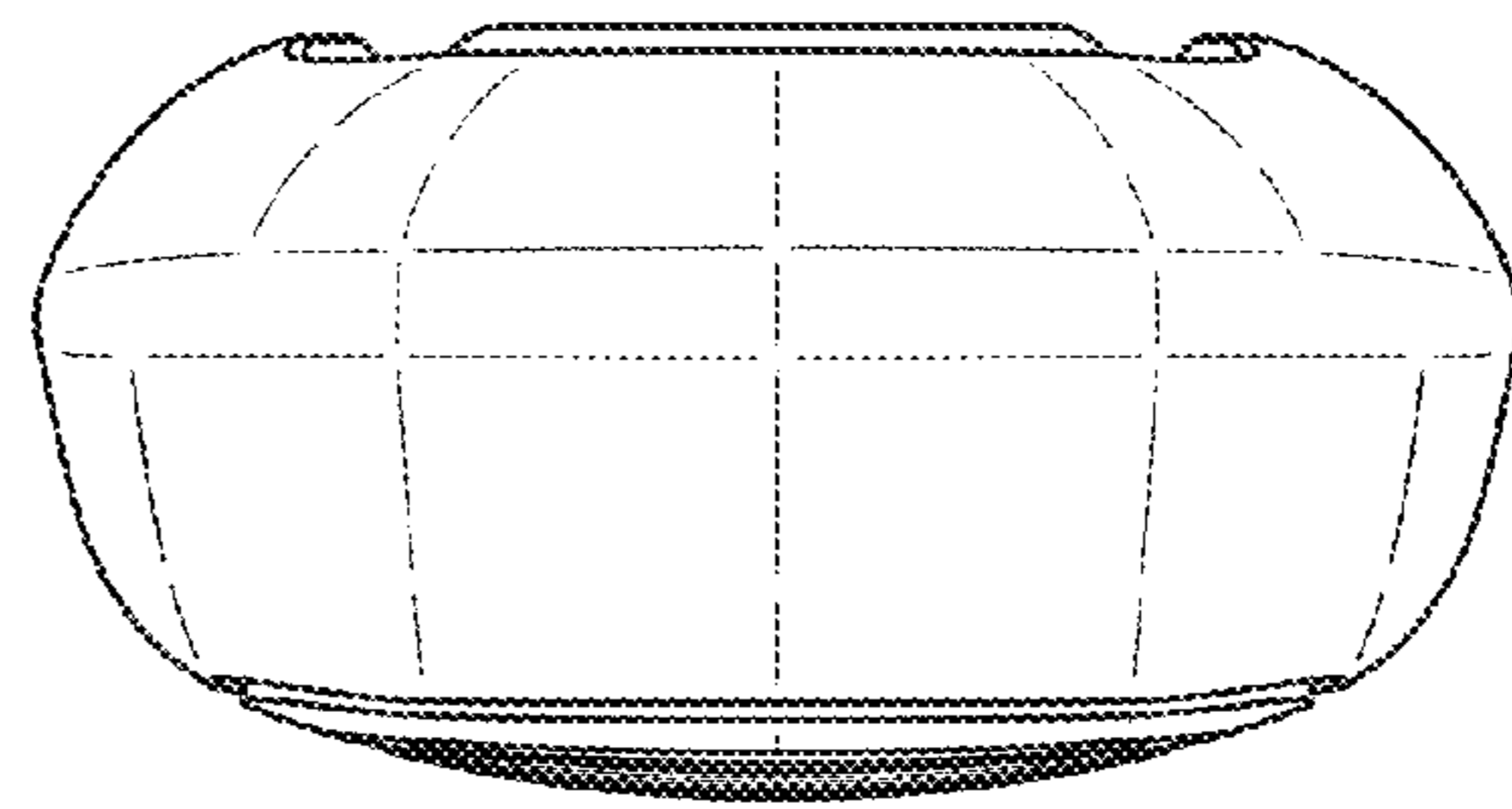


FIG. 8