



US00D754028S

(12) **United States Design Patent**  
**Kojima et al.**

(10) **Patent No.:** **US D754,028 S**  
(45) **Date of Patent:** **\*\* Apr. 19, 2016**

(54) **SLIDER FOR SLIDE FASTENER**

(56) **References Cited**

(71) Applicant: **YKK Corporation**, Tokyo (JP)

U.S. PATENT DOCUMENTS

(72) Inventors: **Masayoshi Kojima**, Toyama (JP);  
**Shinya Honda**, Toyama (JP)

D291,670 S	*	9/1987	Takabatake	.....	D11/221
D473,821 S	*	4/2003	Yoneoka	.....	D11/221
D512,340 S	*	12/2005	Keyaki	.....	D11/221
D673,076 S	*	12/2012	Hsiang	.....	D11/221
D706,676 S	*	6/2014	Ohgaku	.....	D11/221

(73) Assignee: **YKK Corporation** (JP)

\* cited by examiner

(\*\*) Term: **14 Years**

*Primary Examiner* — Ralf Seifert

(21) Appl. No.: **29/519,729**

(74) *Attorney, Agent, or Firm* — Kilpatrick Townsend & Stockton LLP

(22) Filed: **Mar. 6, 2015**

(57) **CLAIM**

The ornamental design for a slider for slide fastener, as shown and described.

(30) **Foreign Application Priority Data**

**DESCRIPTION**

Sep. 19, 2014 (JP) ..... 2014-020706

FIG. 1 is a front view of a slider for slide fastener showing our new design;

(51) **LOC (10) Cl.** ..... **02-07**

FIG. 2 is a rear view thereof;

(52) **U.S. Cl.**

FIG. 3 is a right side view thereof, the left side view being mirror image thereof;

USPC ..... **D11/221**

FIG. 4 is a top plan view thereof;

(58) **Field of Classification Search**

USPC ..... D11/200–201, 221; 24/381–383,  
24/385–387, 414–431, 4, 412; 2/265;  
D2/641; 294/2, 3.6; 223/111

FIG. 5 is a bottom view thereof;

CPC ..... A44B 19/00; A44B 19/02; A44B 19/04;  
A44B 19/10; A44B 19/24; A44B 19/26;  
A44B 19/30; A44B 19/06

FIG. 6 is a perspective view of the front, bottom and right side thereof;

FIG. 7 is a perspective view of the rear, top and left side thereof;

FIG. 8 is a first reference view of usage; and,

FIG. 9 is a second reference view of usage.

The broken lines shown are included for the purpose of illustrating the unclaimed portions of a slider for slide fastener and form no part of the claimed design.

See application file for complete search history.

**1 Claim, 9 Drawing Sheets**

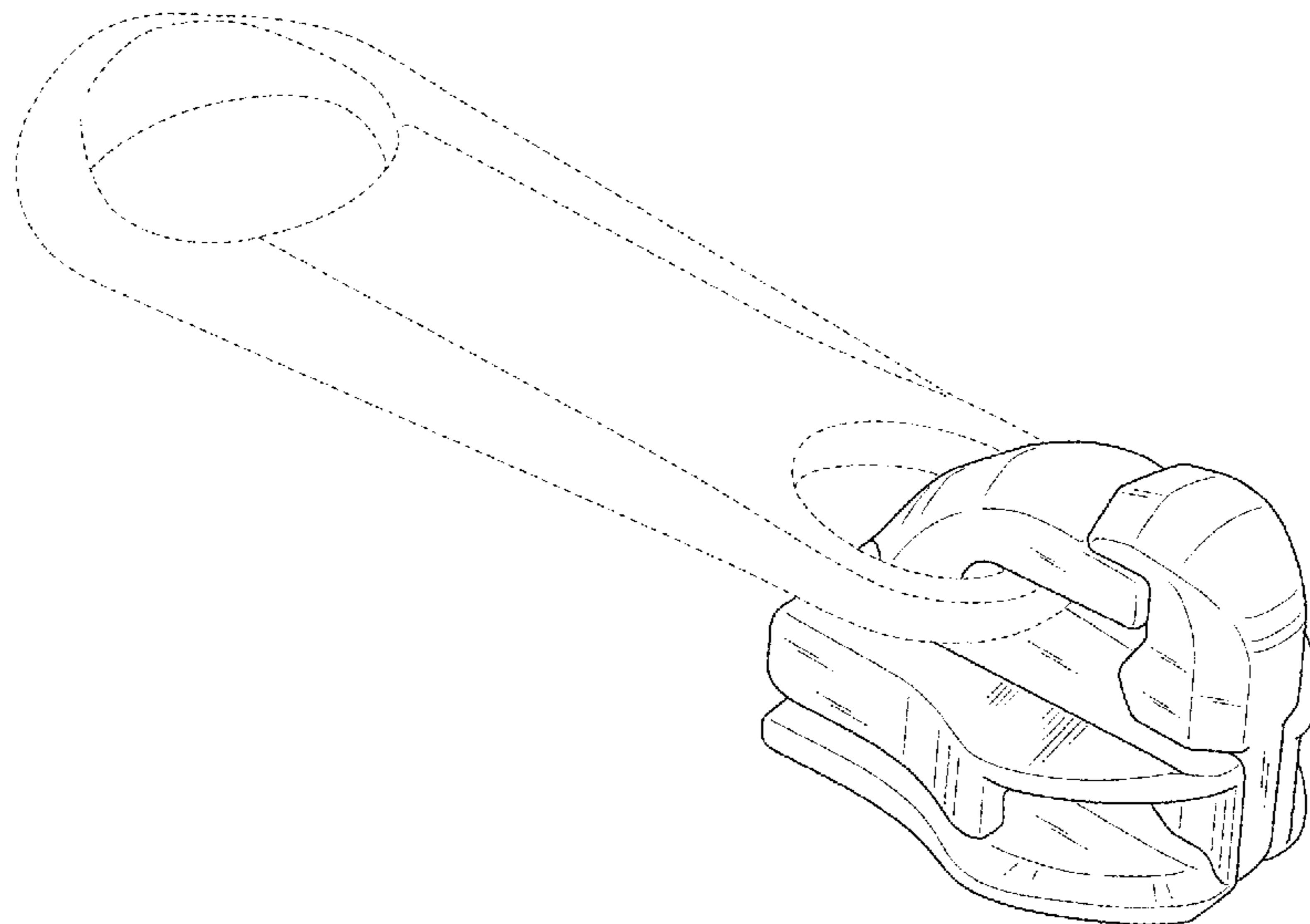


Fig. 1

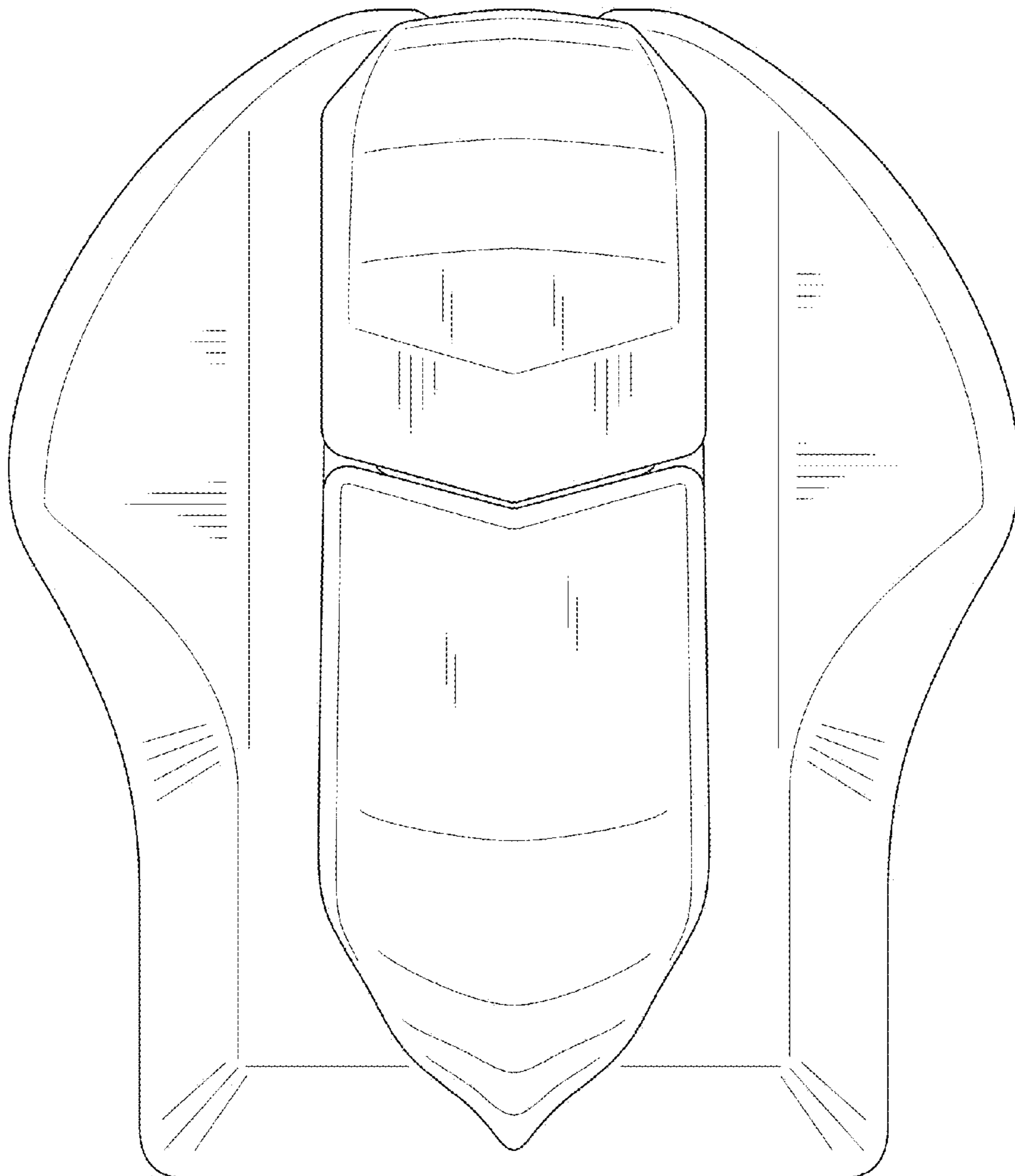


Fig. 2

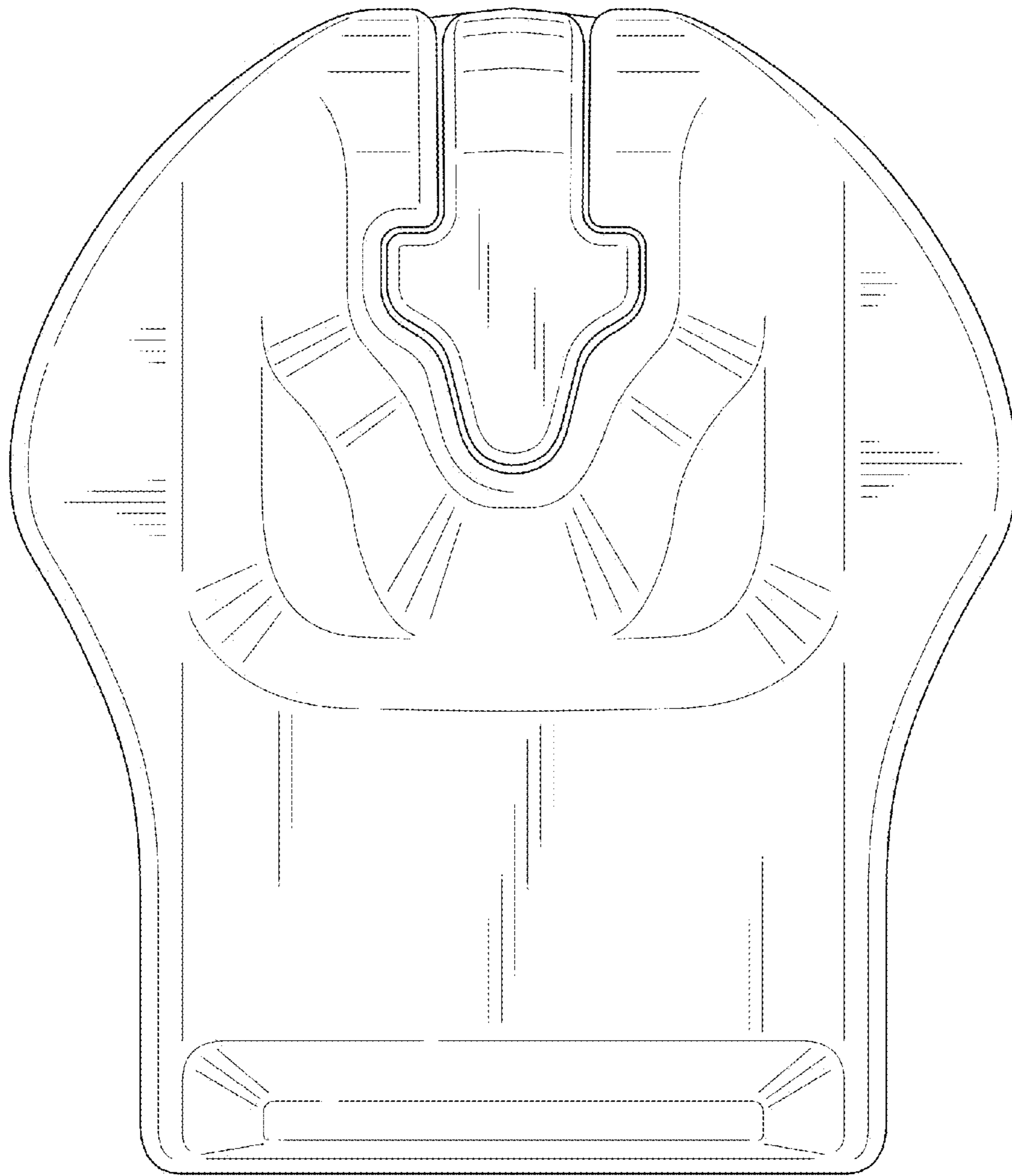


Fig. 3

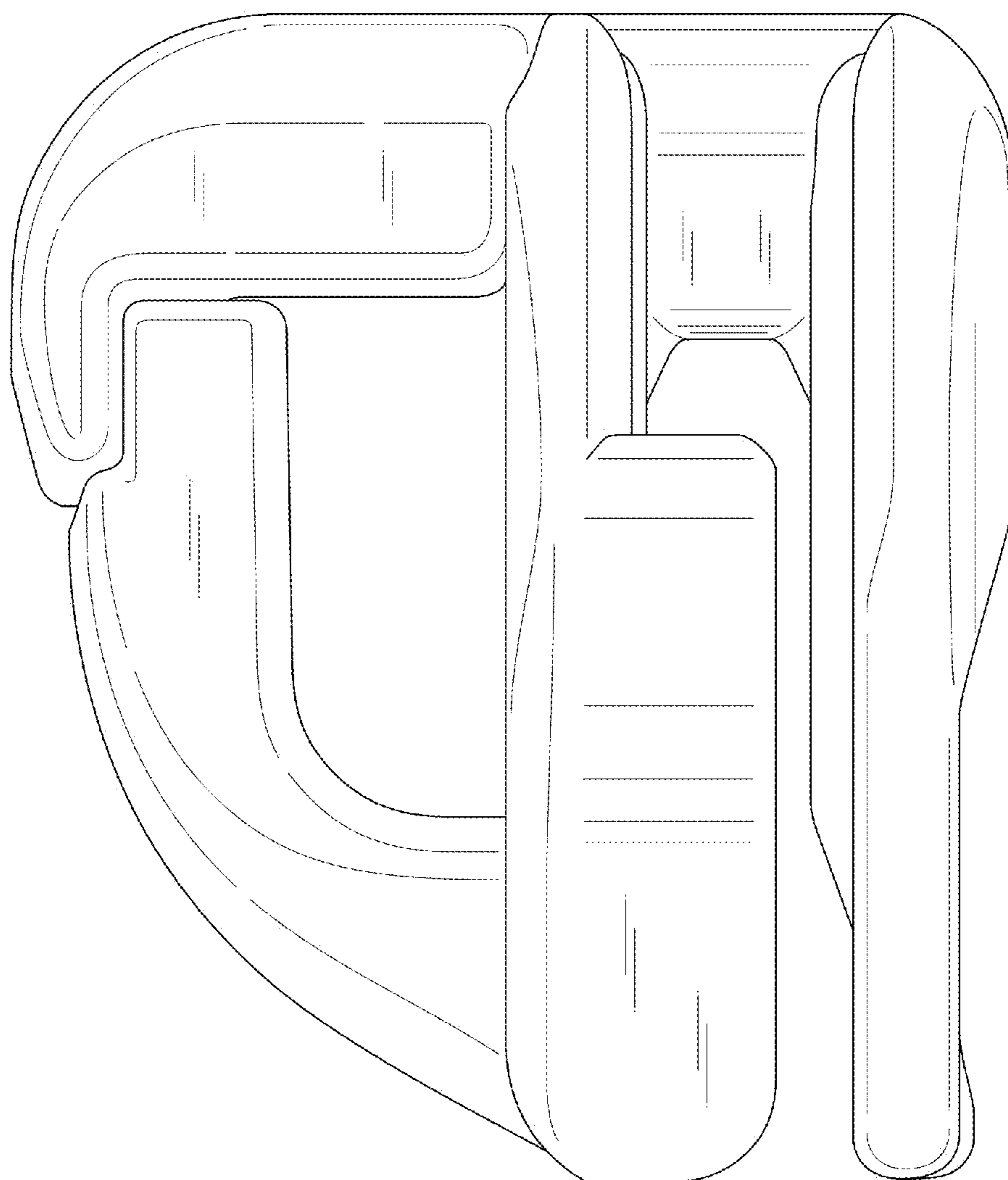


Fig. 4

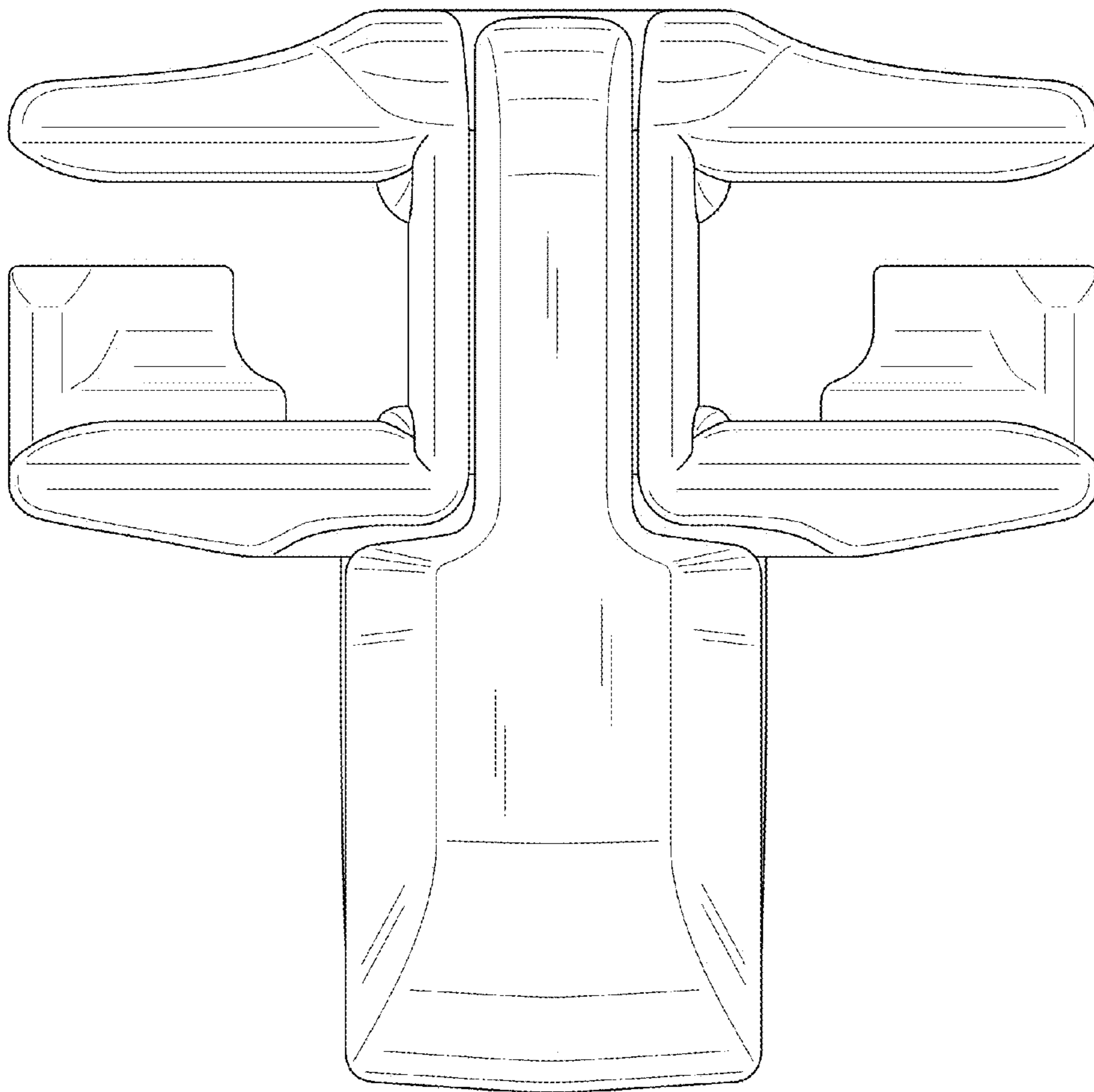


Fig. 5

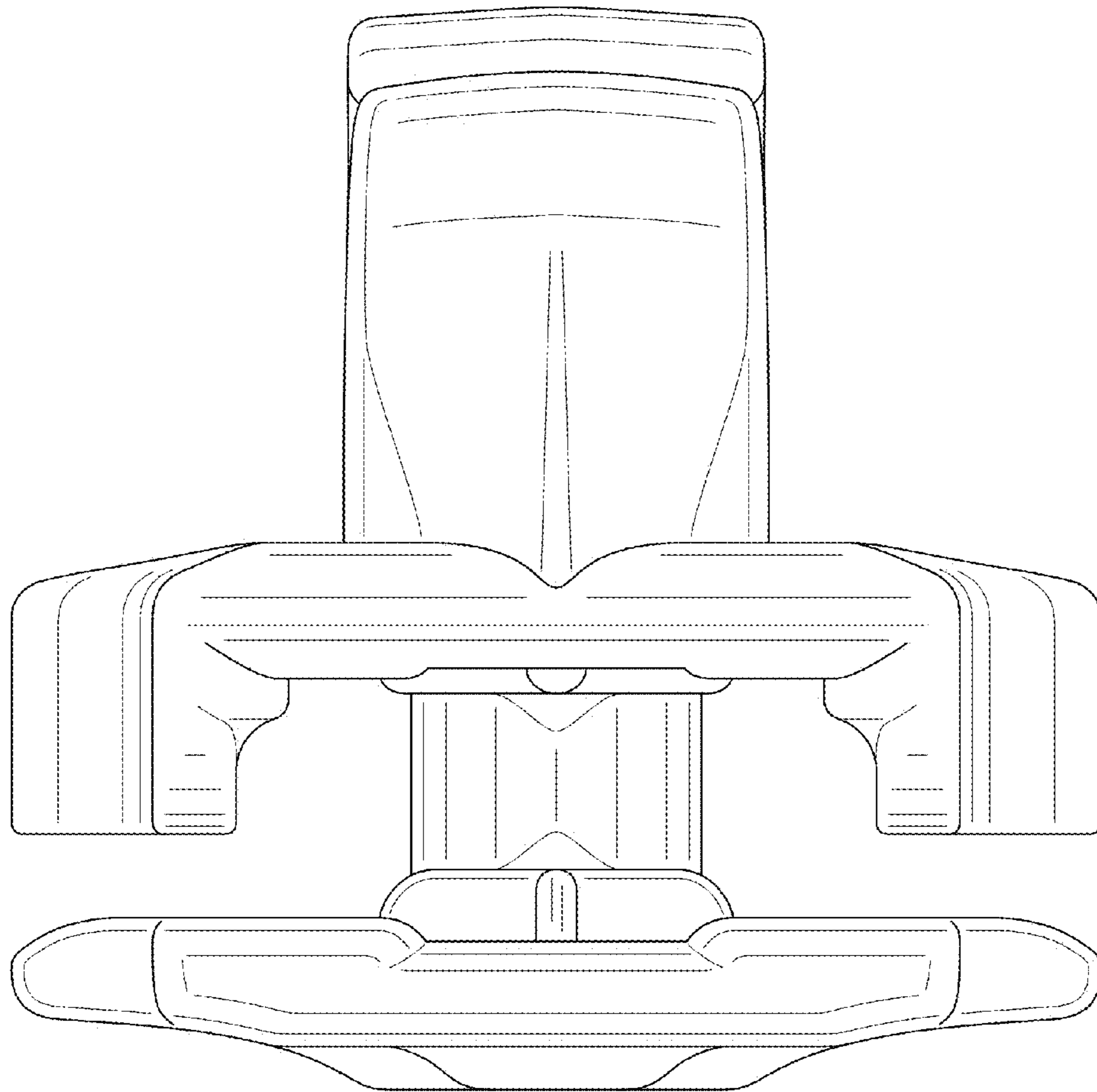


Fig. 6

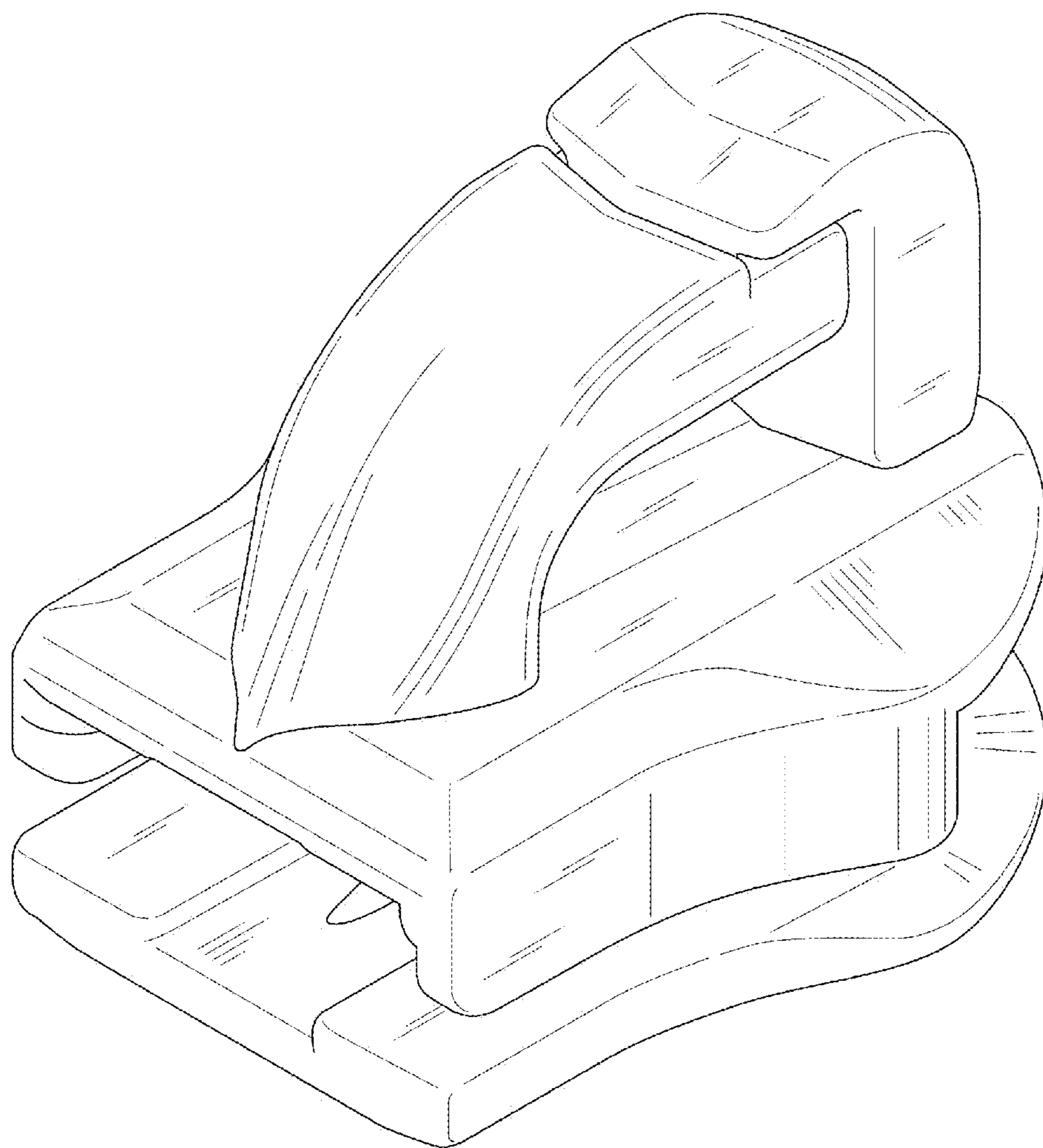


Fig. 7

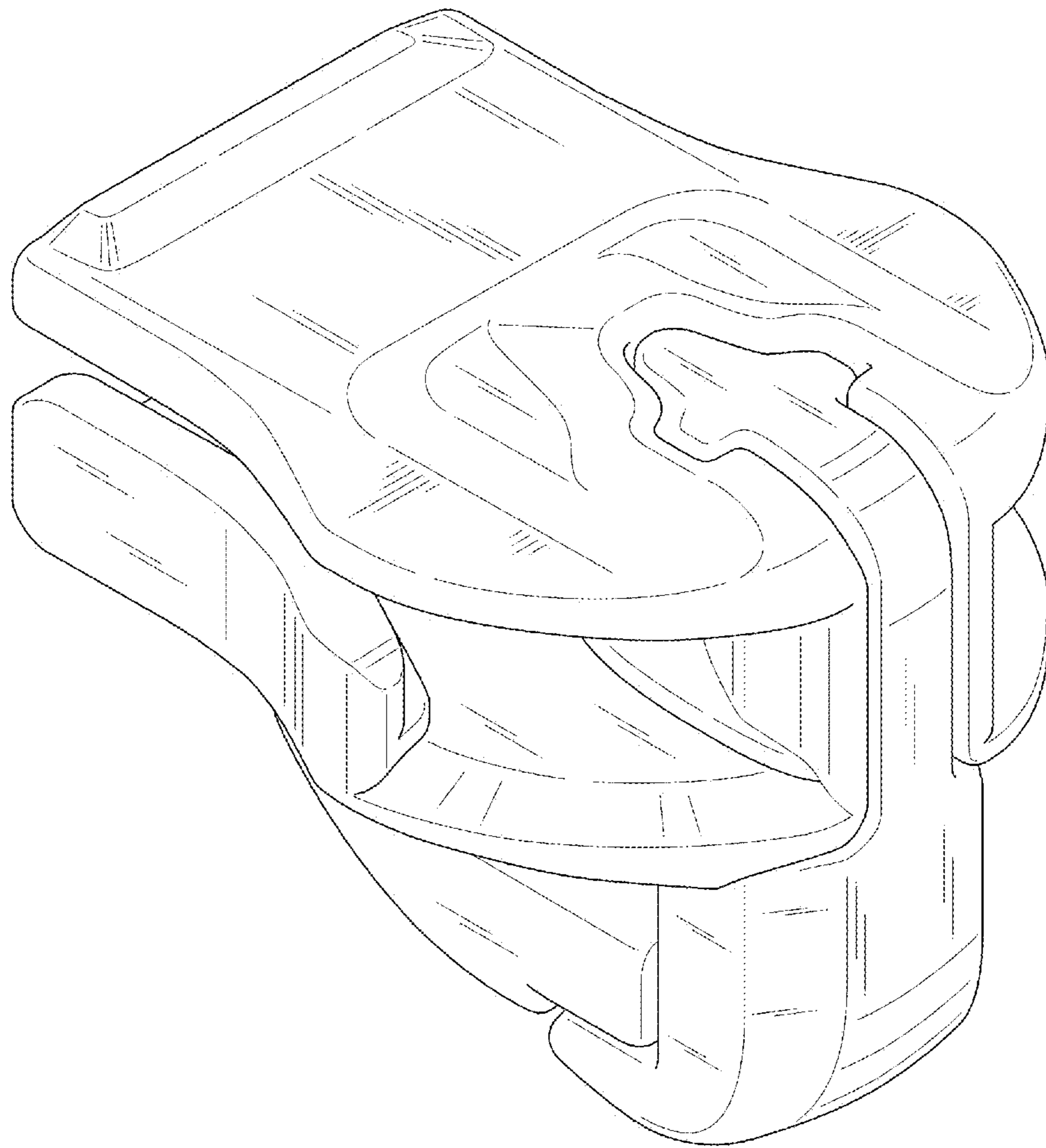




Fig. 8

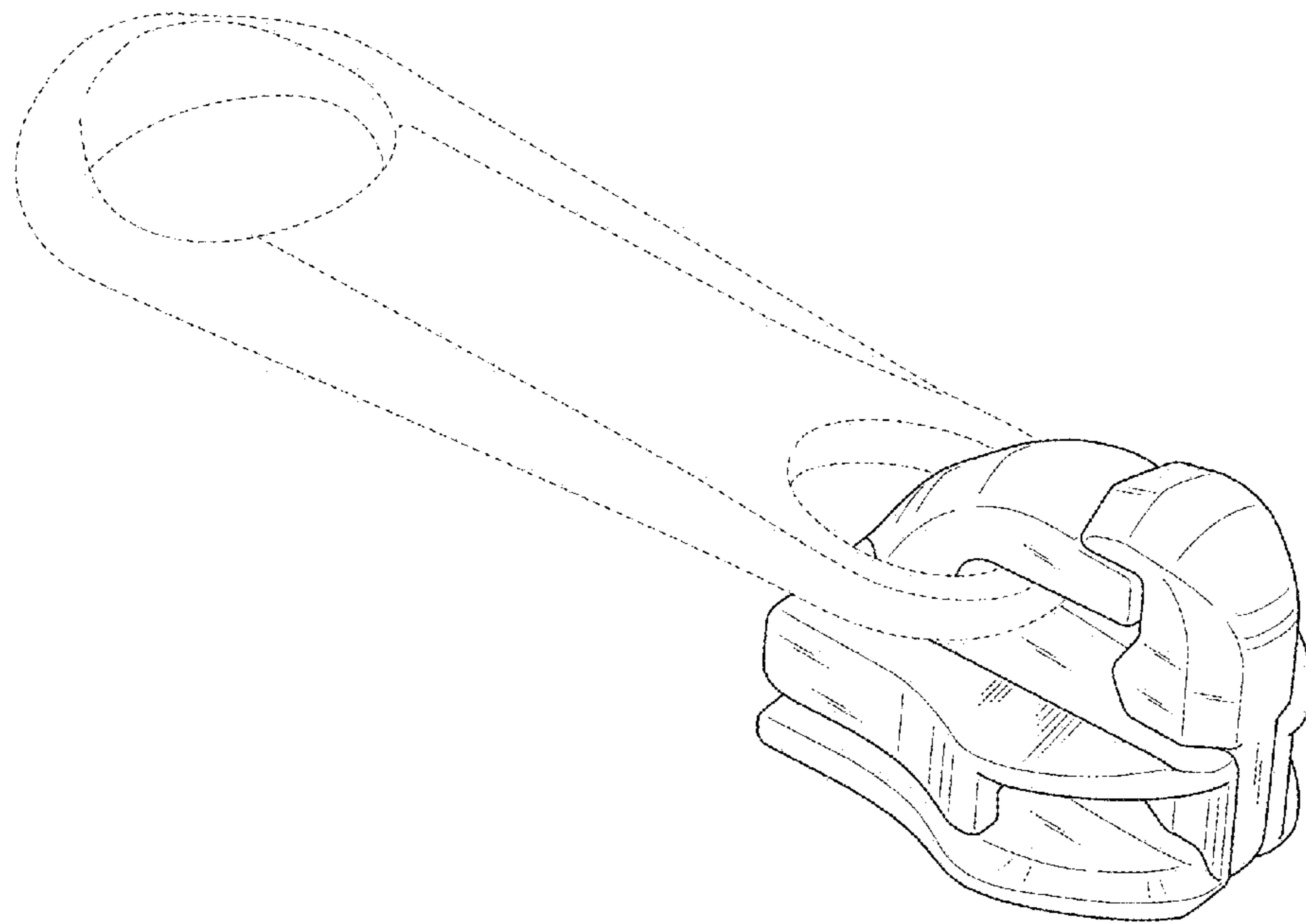


Fig. 9

