



US00D754025S

(12) **United States Design Patent**
Baid

(10) **Patent No.:** **US D754,025 S**

(45) **Date of Patent:** **** Apr. 19, 2016**

- (54) **GEMSTONE SETTING**
- (71) Applicant: **Devendra Baid**, Rego Park, NY (US)
- (72) Inventor: **Devendra Baid**, Rego Park, NY (US)
- (**) Term: **15 Years**
- (21) Appl. No.: **29/527,698**
- (22) Filed: **May 21, 2015**
- (51) **LOC (10) Cl.** **11-01**
- (52) **U.S. Cl.**
USPC **D11/92**
- (58) **Field of Classification Search**
USPC D11/1-3, 12-16, 26-45, 75-94; 63/3,
63/3.1, 3.2, 12, 13, 14.1, 14.2, 14.3, 15,
63/15.1, 15.2, 15.3, 15.4, 15.45, 15.5,
63/15.6, 15.65, 15.7, 15.8, 15.9, 18, 20,
63/26, 27, 28, 29.1, 29.2, 30, 31, 32
CPC A44C 17/02; A44C 17/04; A44C 17/046;
A44C 17/005; A44C 17/00; A44C 17/001;
A44C 25/001; A44C 9/0053; A44C 9/0061;
A44C 9/0046; A44C 9/02; A44C 9/0084;
A44C 7/00; A44C 15/001; A44C 15/0035;
Y10T 29/49593; Y10T 29/23
See application file for complete search history.

- D666,521 S * 9/2012 Yakubovich D11/40
- D680,896 S * 4/2013 Wong D11/91
- D709,403 S * 7/2014 Sanghvi D11/91
- D712,302 S * 9/2014 Dholakiya D11/91
- D712,303 S * 9/2014 Dholakiya D11/91
- D714,182 S * 9/2014 Doran D11/92

* cited by examiner

Primary Examiner — Cynthia Ramirez
Assistant Examiner — Llorellys Martinez-Rivera
 (74) *Attorney, Agent, or Firm* — Jennifer Meredith, Esq.;
 Meredith & Keyhani, PLLC

(57) **CLAIM**

I claim the ornamental design for a gemstone setting, as shown and described.

DESCRIPTION

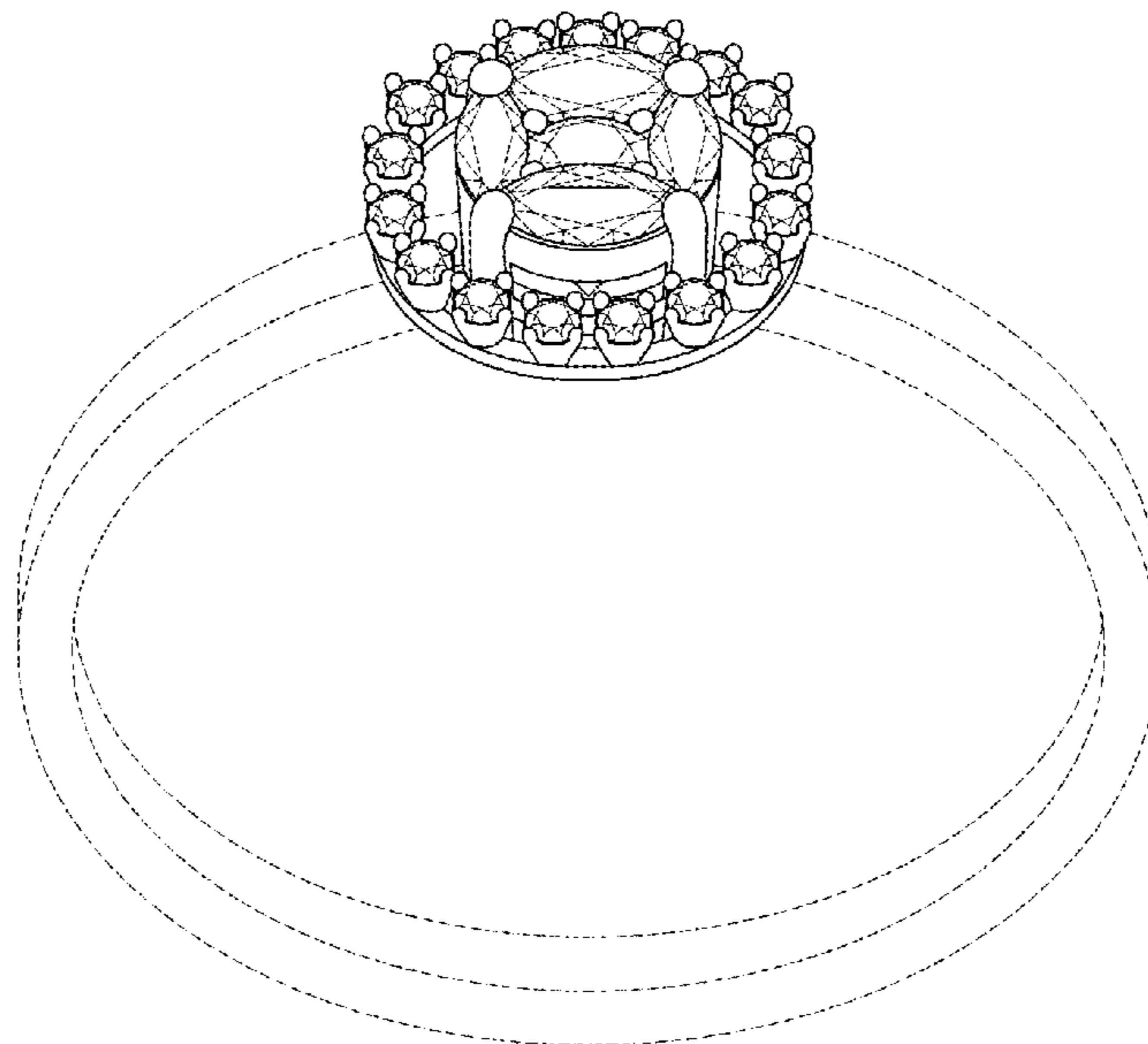
FIG. 1 is a top perspective view of a gemstone setting showing my new design;
 FIG. 2 is a front view thereof;
 FIG. 3 is a side view thereof;
 FIG. 4 is a top plan view thereof;
 FIG. 5 is a bottom plan view thereof;
 FIG. 6 is another perspective view thereof, showing the gemstone setting in an environment of use; and,
 FIG. 7 is another perspective view thereof, showing the gemstone setting in an environment of use.
 The broken lines shown in FIGS. 1 through 7 illustrate environmental subject matter only and form no part of the claimed design.

1 Claim, 3 Drawing Sheets

(56) **References Cited**

U.S. PATENT DOCUMENTS

- D480,659 S * 10/2003 Pachauer A44C 17/04
11/91
- D570,727 S * 6/2008 Shah D11/91
- D647,423 S * 10/2011 Khimavat D11/40



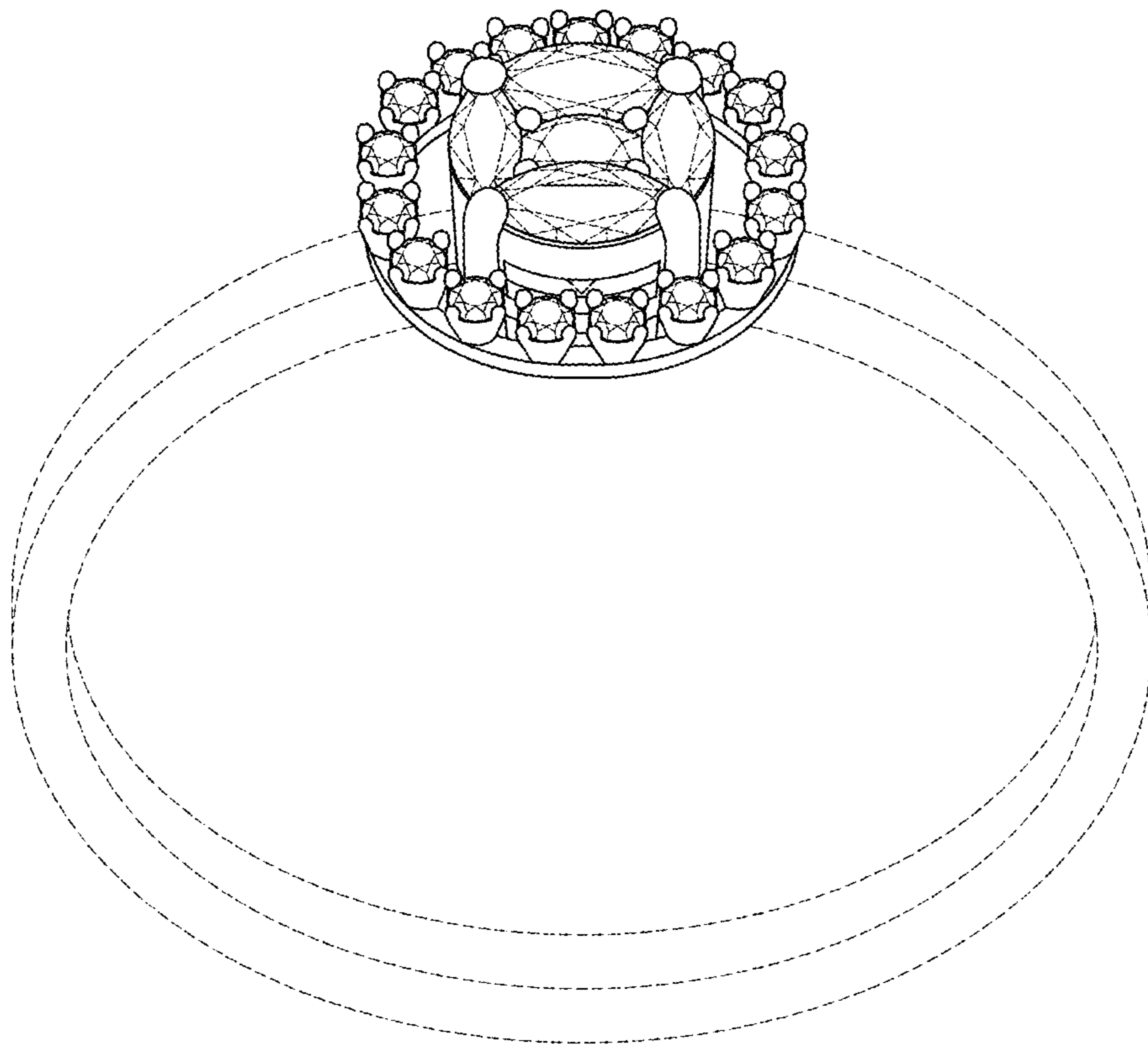


Fig. 1

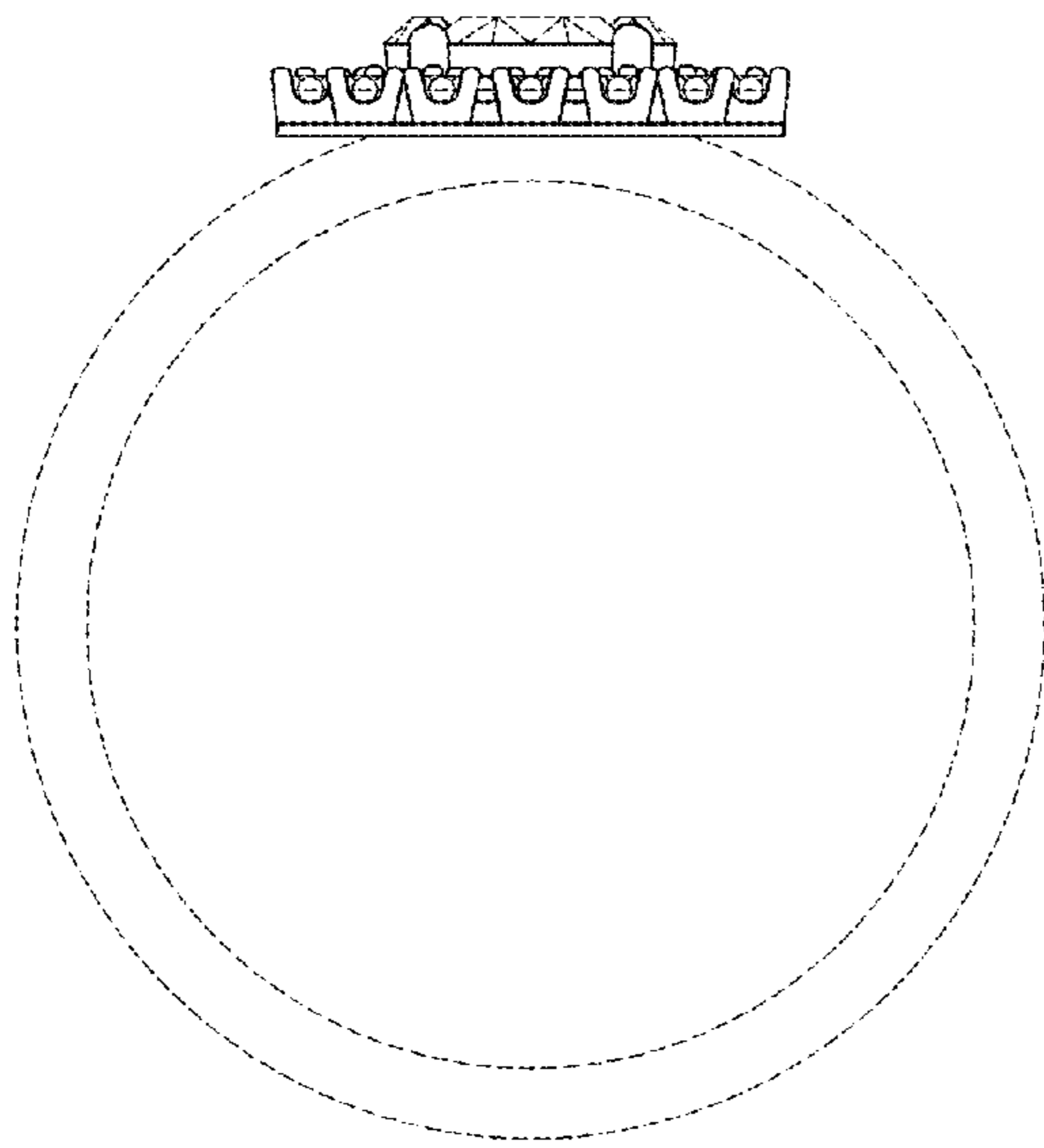


Fig. 2

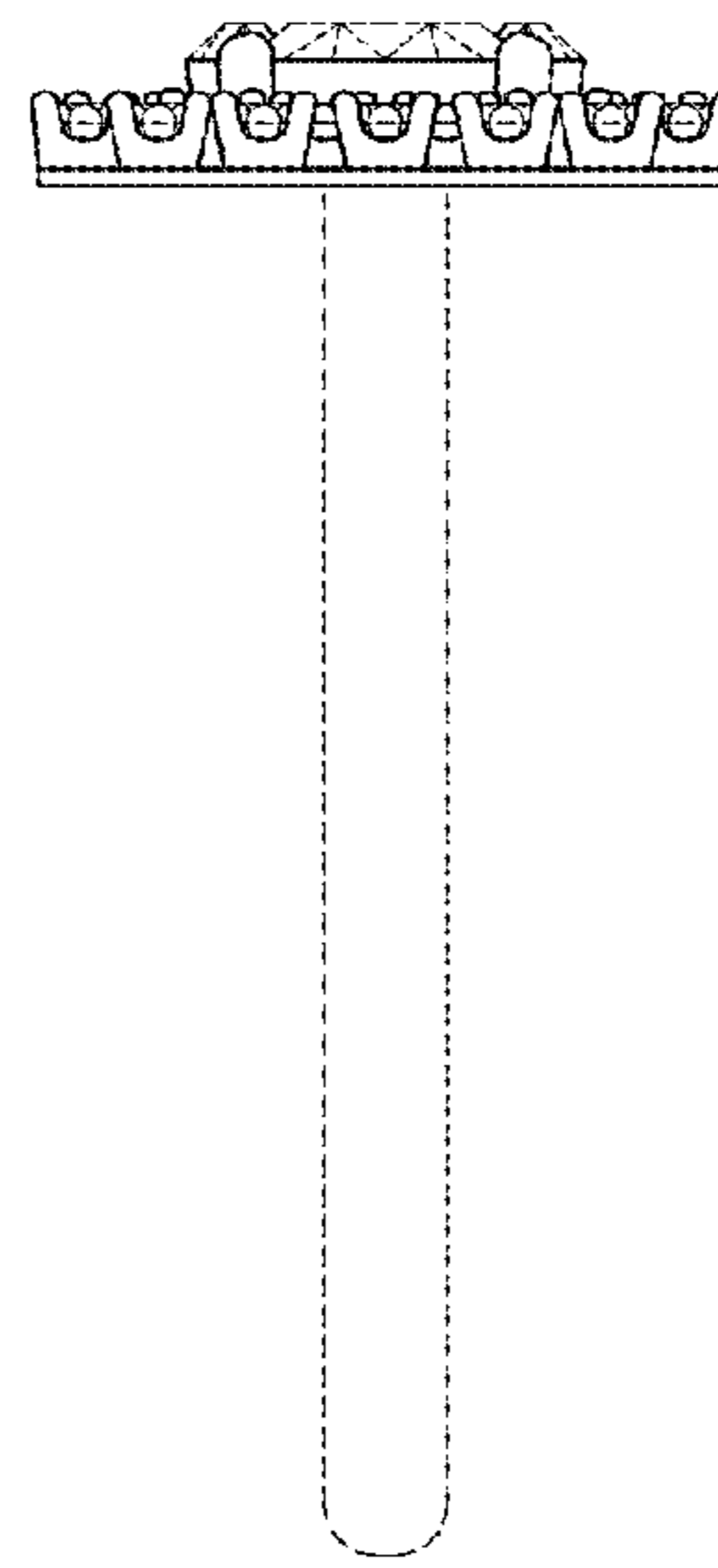


Fig. 3

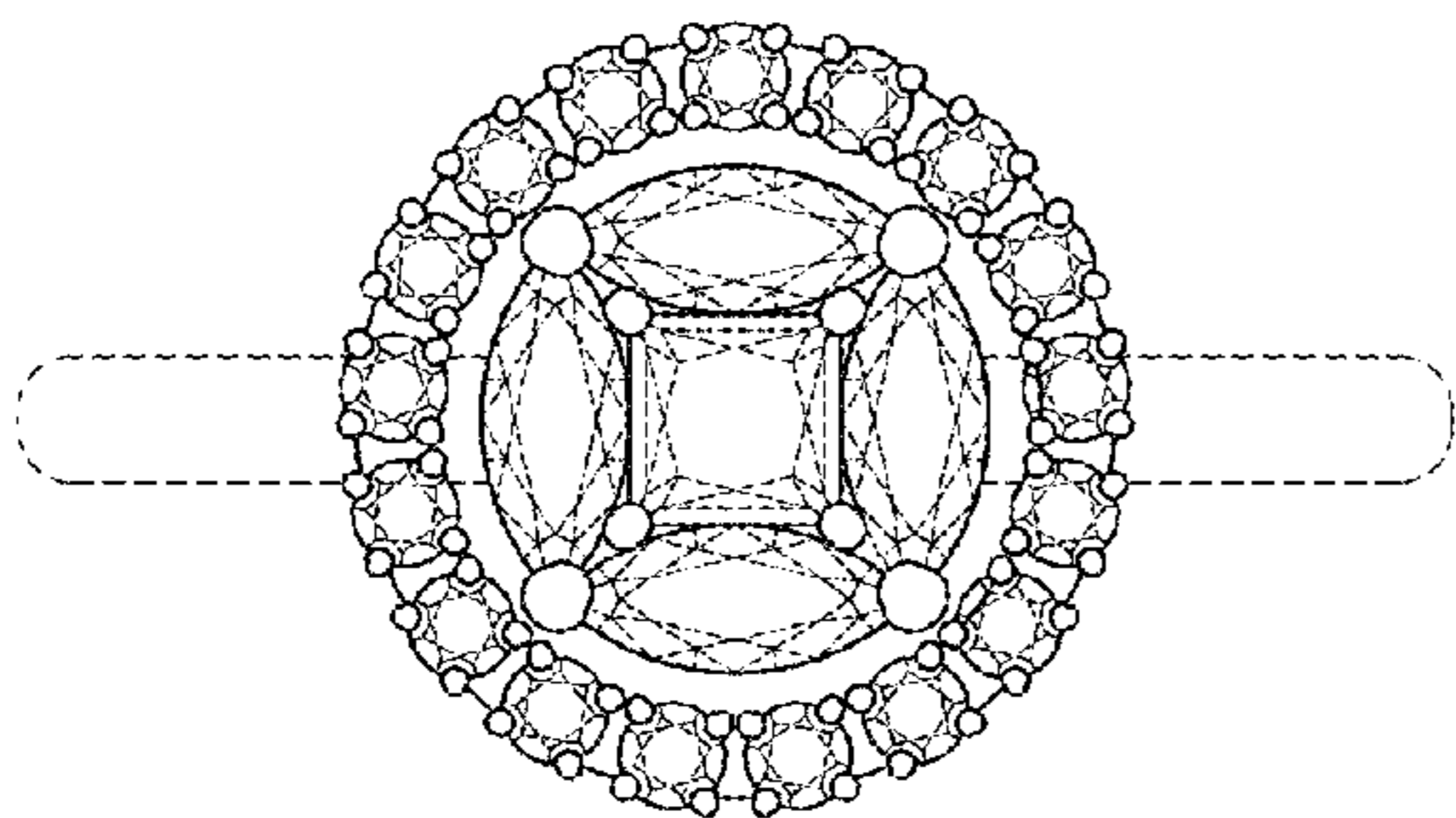


Fig. 4

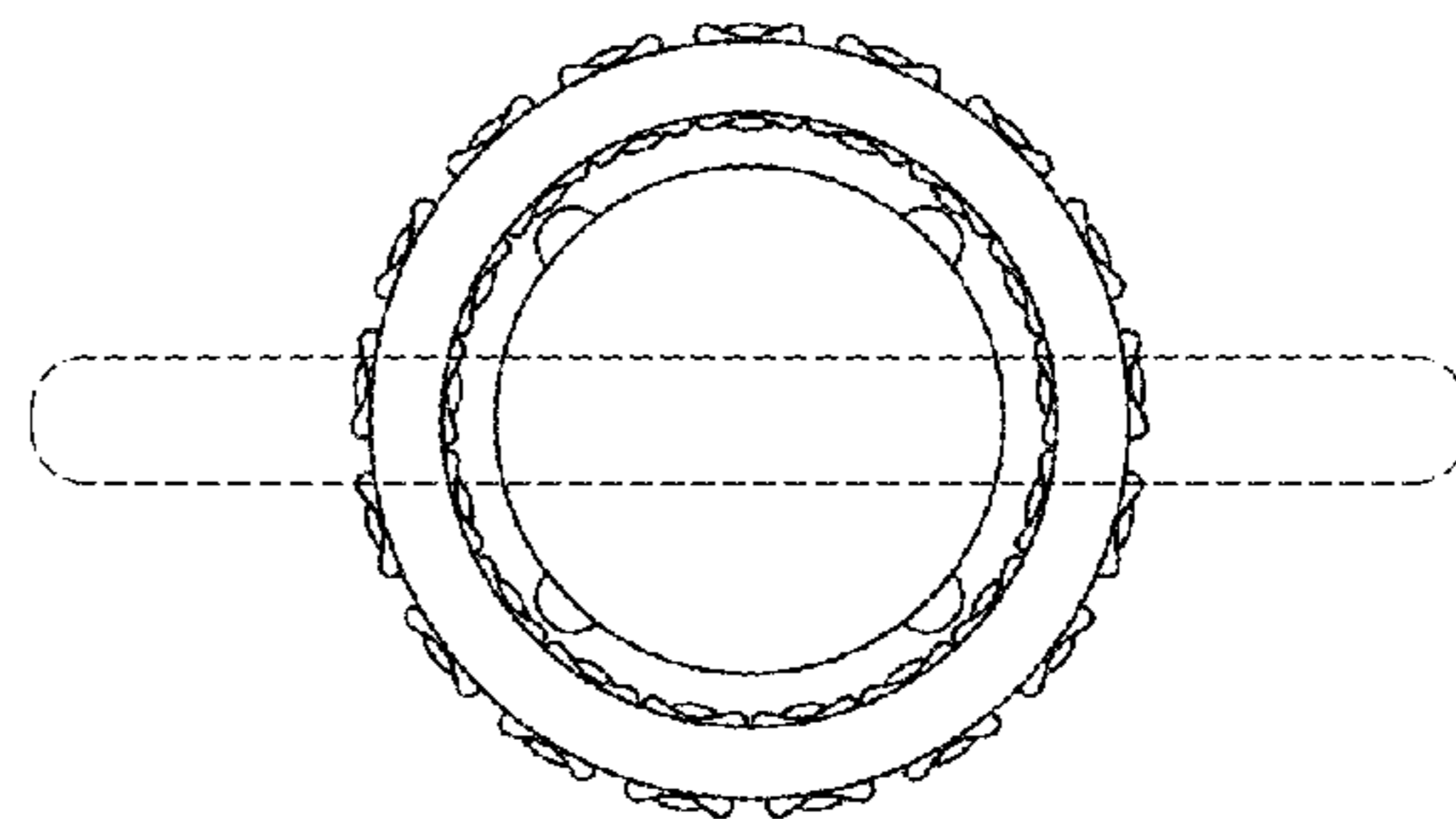


Fig. 5

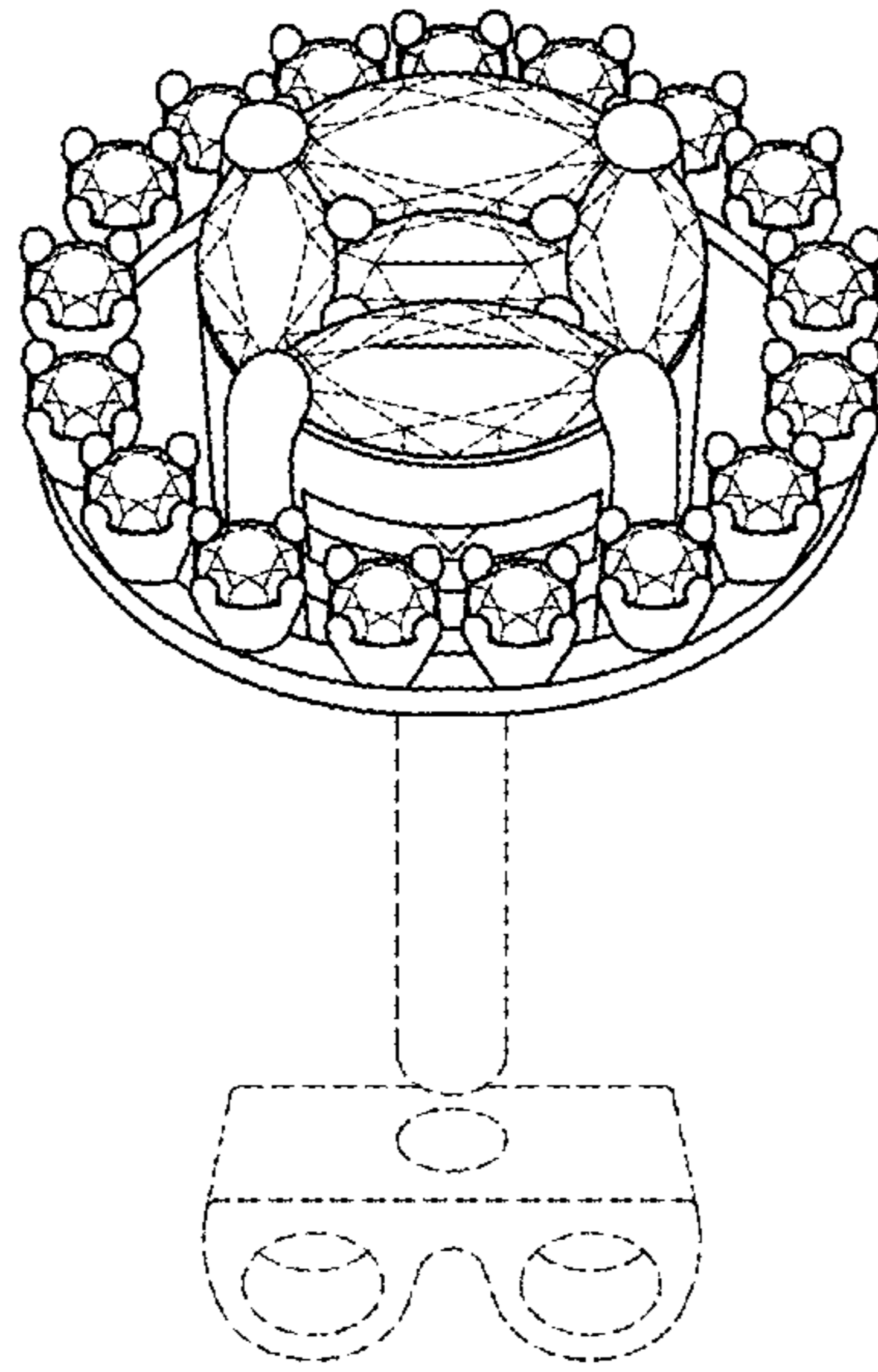


Fig. 6

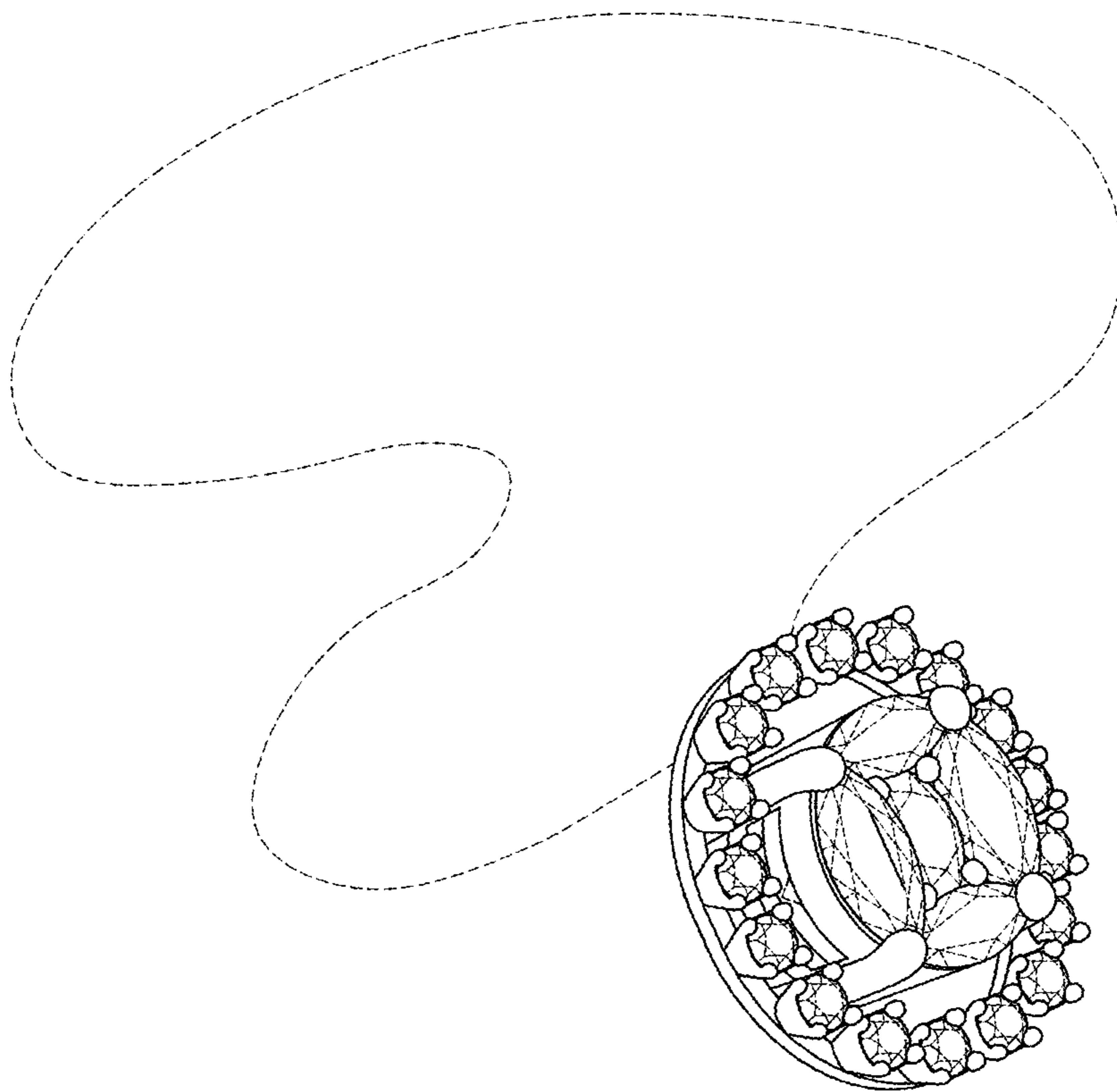


Fig. 7