



US00D754020S

(12) **United States Design Patent**  
**Homer**

(10) **Patent No.:** **US D754,020 S**  
(45) **Date of Patent:** **\*\* Apr. 19, 2016**

- (54) **COMMEMORATIVE BRACELET**
- (71) Applicant: **Sandra F. Homer**, Taunton, MA (US)
- (72) Inventor: **Sandra F. Homer**, Taunton, MA (US)
- (\*\*) Term: **14 Years**
- (21) Appl. No.: **29/504,454**
- (22) Filed: **Oct. 6, 2014**
- (51) **LOC (10) Cl.** ..... **11-01**
- (52) **U.S. Cl.**  
USPC ..... **D11/4**
- (58) **Field of Classification Search**  
USPC ..... D11/1-25, 79, 80, 81, 82, 83; 63/3, 3.1,  
63/3.2  
CPC ..... A44C 5/00; A44C 5/0007; A44C 5/0015;  
A44C 5/0023; A44C 5/003; A44C 5/0038;  
A44C 5/0046; A44C 5/0053; A44C 5/0061;  
A44C 5/0069; A44C 5/0076; A44C 5/0084  
See application file for complete search history.

[Online] [http://i.ebayimg.com/00/s/NjAwWDYwMA==/z/AJ0AAOxyY3ZRkoVU/\\$T2eC16JHJHoE9n3Kd8E+BRkoVUg4Hw~60\\_35.JPG](http://i.ebayimg.com/00/s/NjAwWDYwMA==/z/AJ0AAOxyY3ZRkoVU/$T2eC16JHJHoE9n3Kd8E+BRkoVUg4Hw~60_35.JPG). Retrieved Nov. 11, 2015.\*  
[Online] [http://www.fightlikeagirlclub.com/official-gear/media/catalog/product/cache/1/image/253x/9df78eab33525d08d6e5fb8d27136e95/f/i/fight\\_like\\_a\\_girl\\_bracelet.jpg](http://www.fightlikeagirlclub.com/official-gear/media/catalog/product/cache/1/image/253x/9df78eab33525d08d6e5fb8d27136e95/f/i/fight_like_a_girl_bracelet.jpg). Retrieved Nov. 11, 2015.\*

\* cited by examiner

*Primary Examiner* — Garth Rademaker  
*Assistant Examiner* — Melanie Pellegrini  
(74) *Attorney, Agent, or Firm* — Kristofer E. Elbing

(57) **CLAIM**

The ornamental design for a commemorative bracelet, as shown.

**DESCRIPTION**

FIG. 1 is a perspective view of a commemorative bracelet showing the new design in an environment of use; FIG. 2 is a perspective view of the commemorative bracelet; FIG. 3 is a front view of the commemorative bracelet; FIG. 4 is a back view of the commemorative bracelet; FIG. 5 is a side view of the commemorative bracelet; FIG. 6 is an opposite side view of the commemorative bracelet; FIG. 7 is a top plan view thereof; and, FIG. 8 is a bottom plan view thereof. The broken lines showing a hand in FIG. 1 illustrate environmental matter that forms no part of the claimed design. The broken lines shown on the surface of the bracelet in FIGS. 1-3 represent portions of the commemorative bracelet which form no part of the claimed design.

(56) **References Cited**

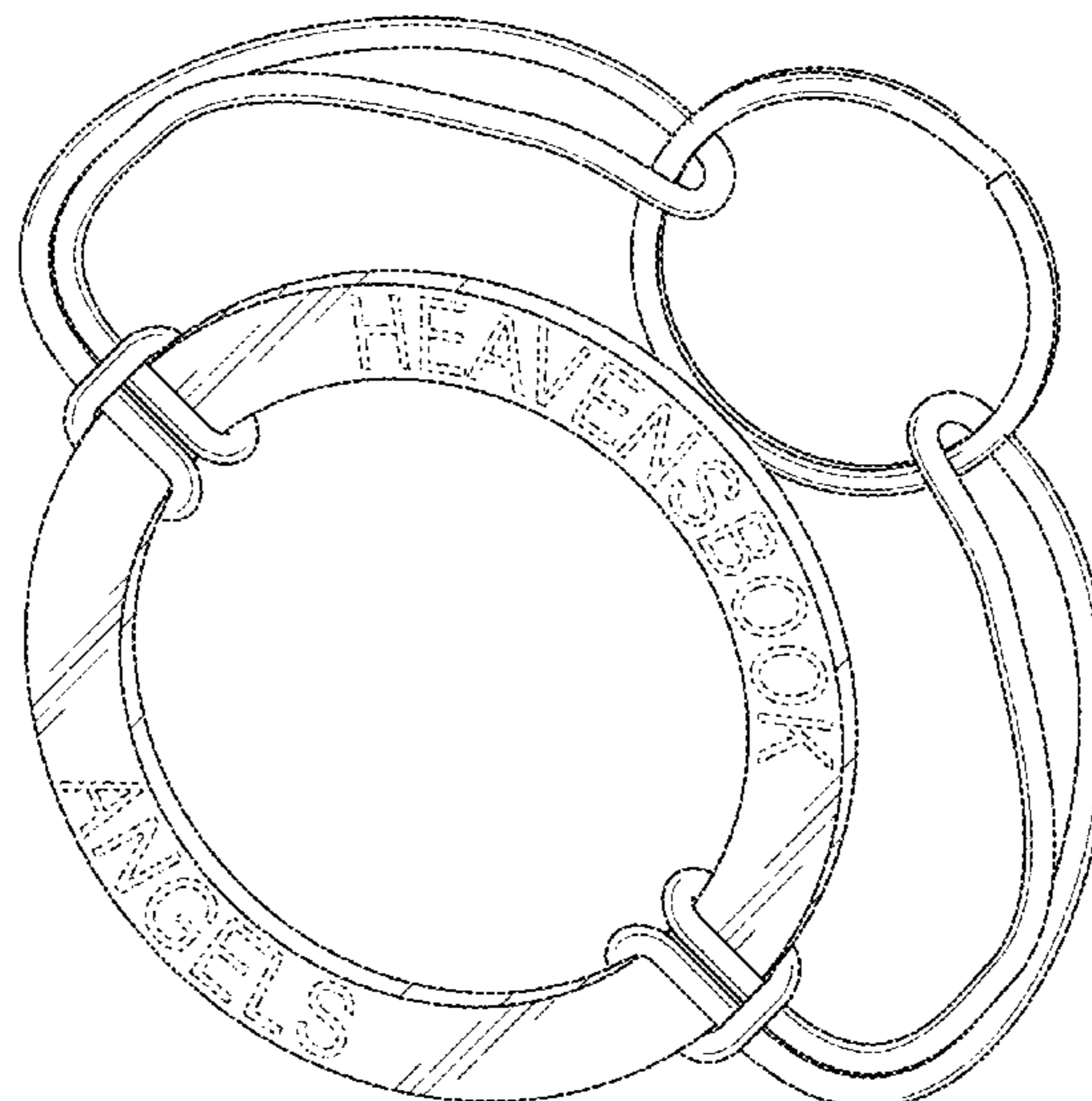
**U.S. PATENT DOCUMENTS**

D44,048 S *	5/1913	Worms	.....	D10/32
D89,450 S *	3/1933	Reiss	.....	D11/4
D145,831 S *	10/1946	Arpels	.....	D10/32
D390,128 S *	2/1998	Toribio	.....	D10/32
D525,553 S *	7/2006	Toupet	.....	D11/5
D566,580 S *	4/2008	Giorgio	.....	D10/32
D584,169 S *	1/2009	Rabati	.....	D10/32
D640,948 S *	7/2011	Quigley	.....	87/1
D670,575 S *	11/2012	Giannini	.....	D10/32
D686,520 S *	7/2013	Rafaelian	.....	D11/5
D687,735 S *	8/2013	Frigerio	.....	D11/3
D690,219 S *	9/2013	Mouquet	.....	D11/5

**OTHER PUBLICATIONS**

[Online] <http://heavensbookangels.com/products/believehalo>. Retrieved Nov. 11, 2015.\*

**1 Claim, 5 Drawing Sheets**



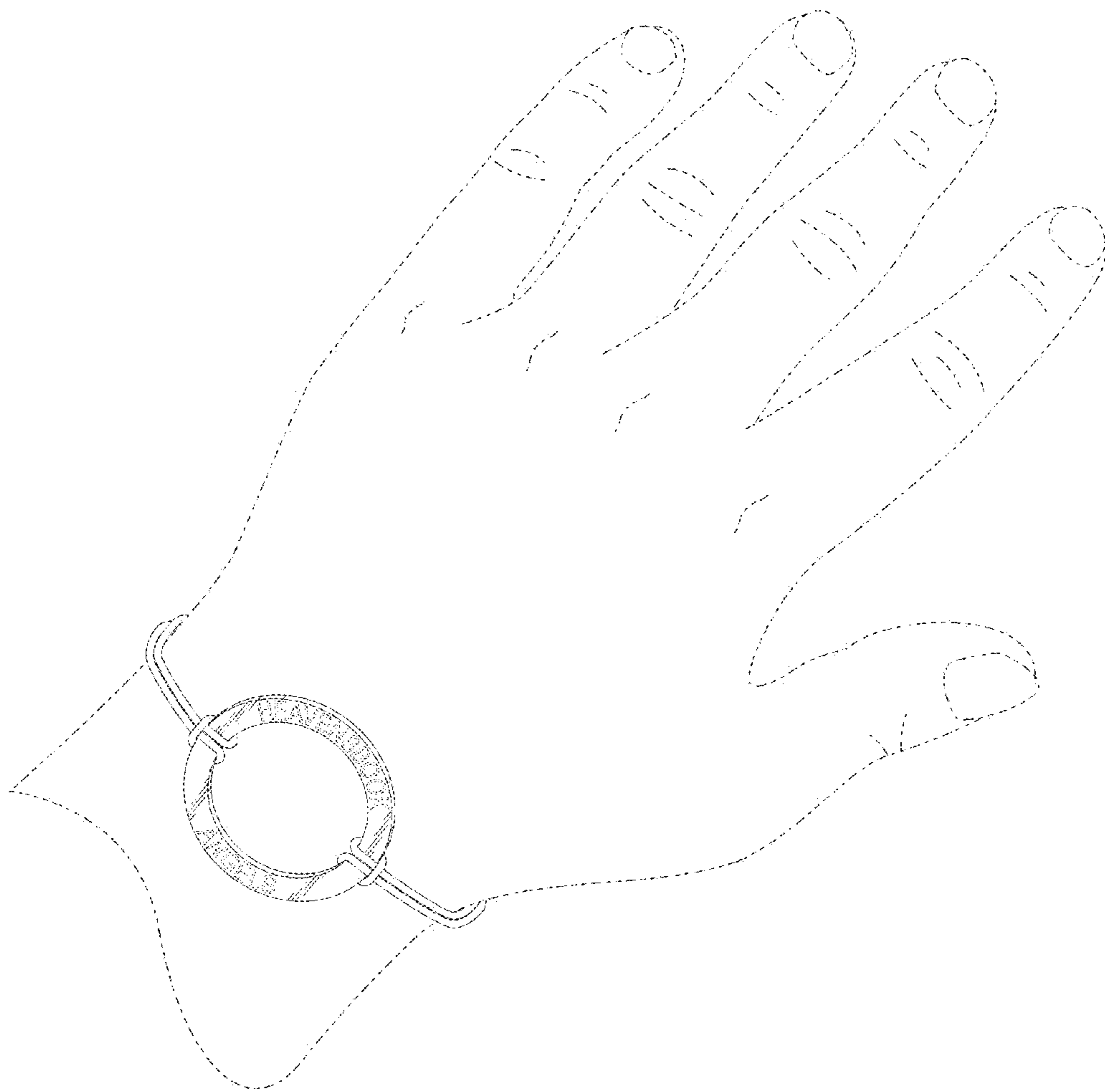


FIG. 1

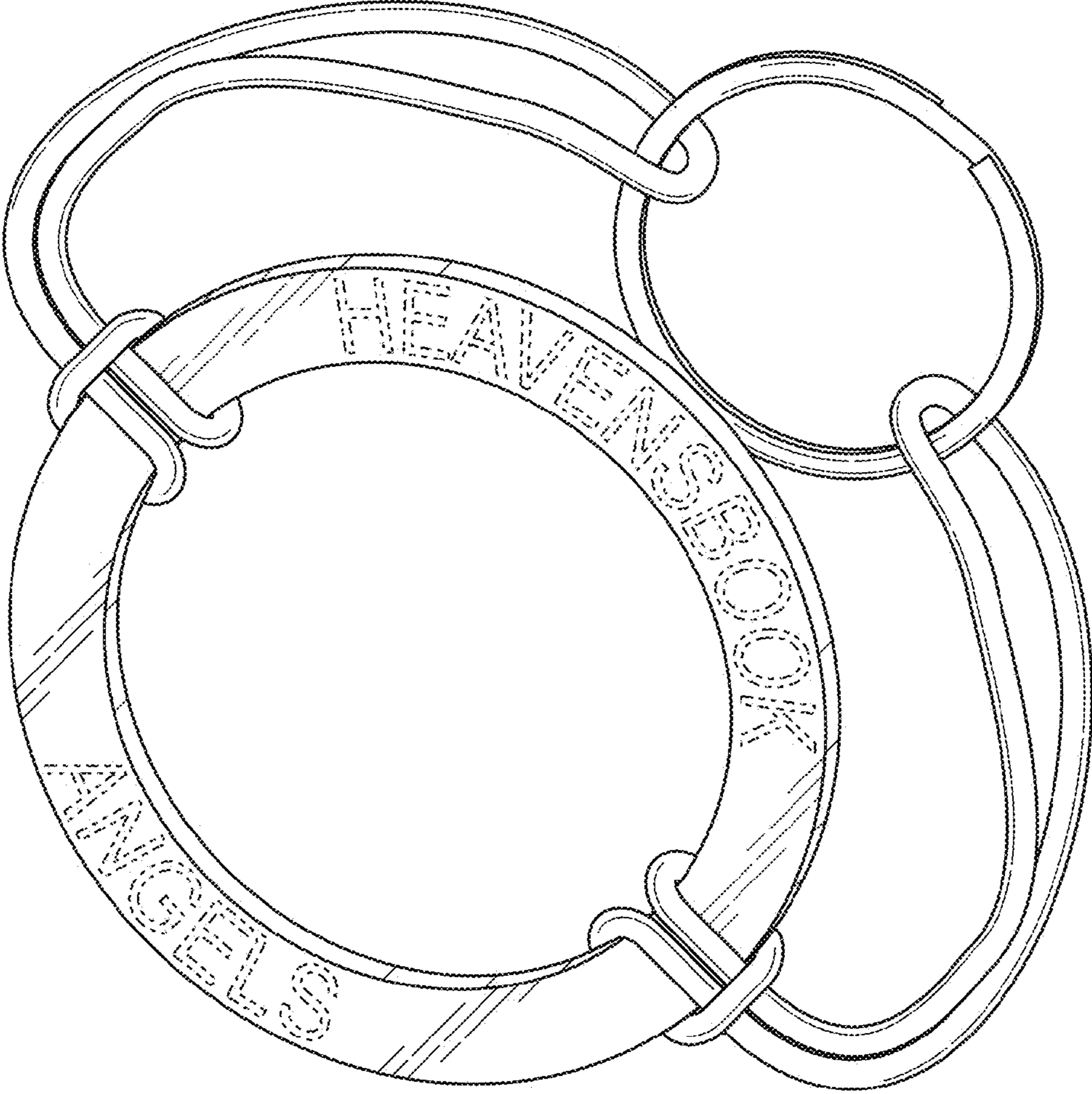


FIG. 2

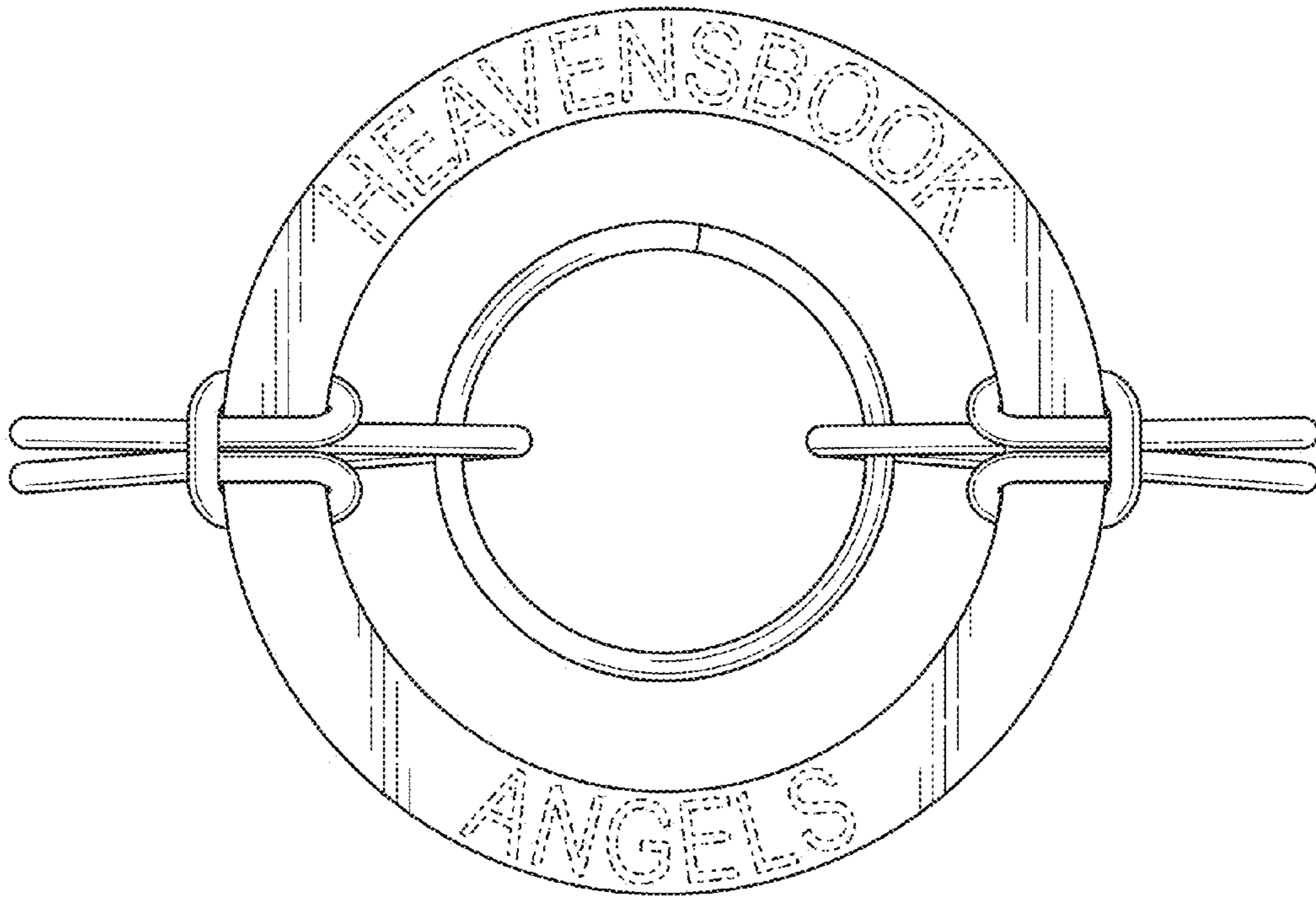


FIG. 3

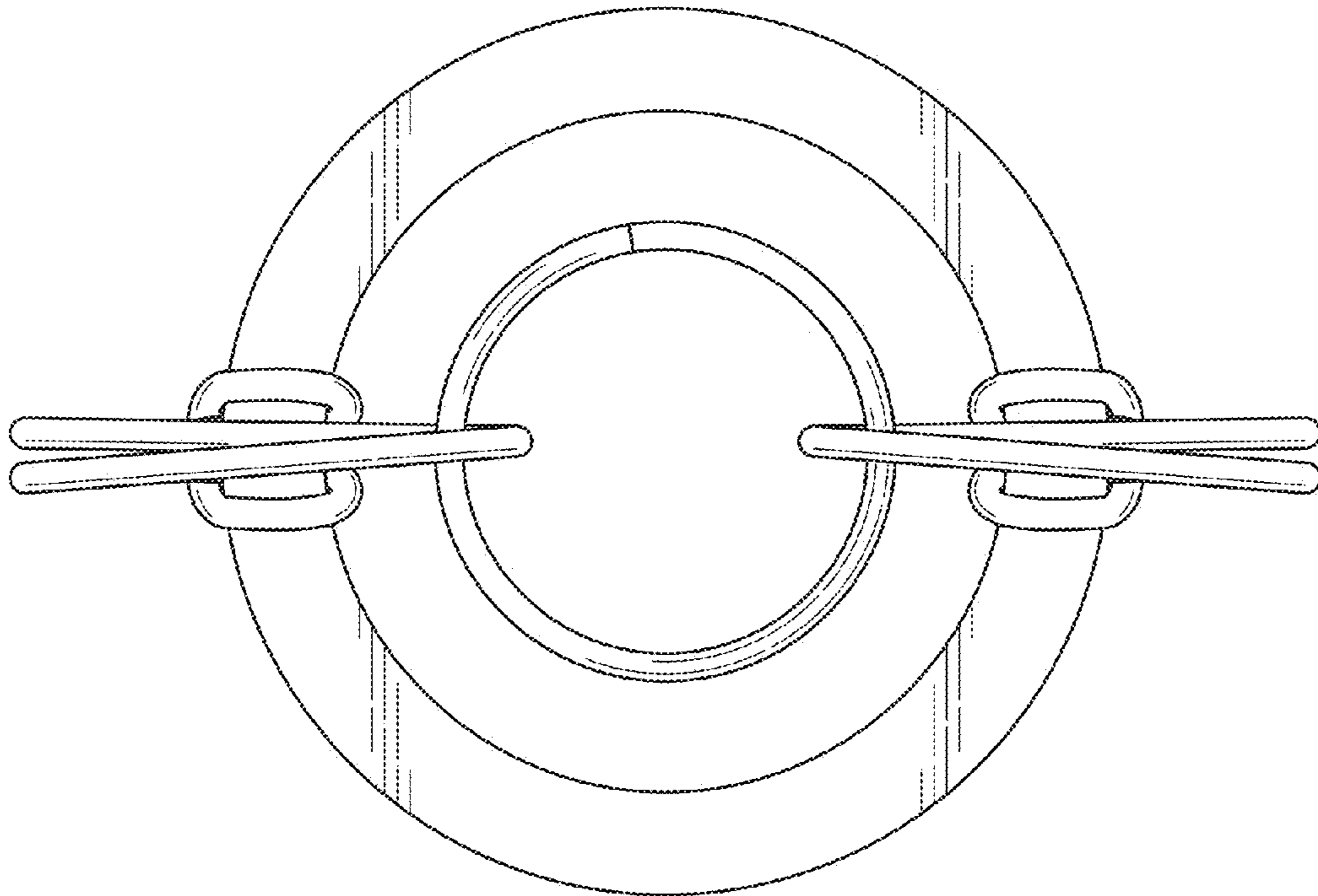


FIG. 4



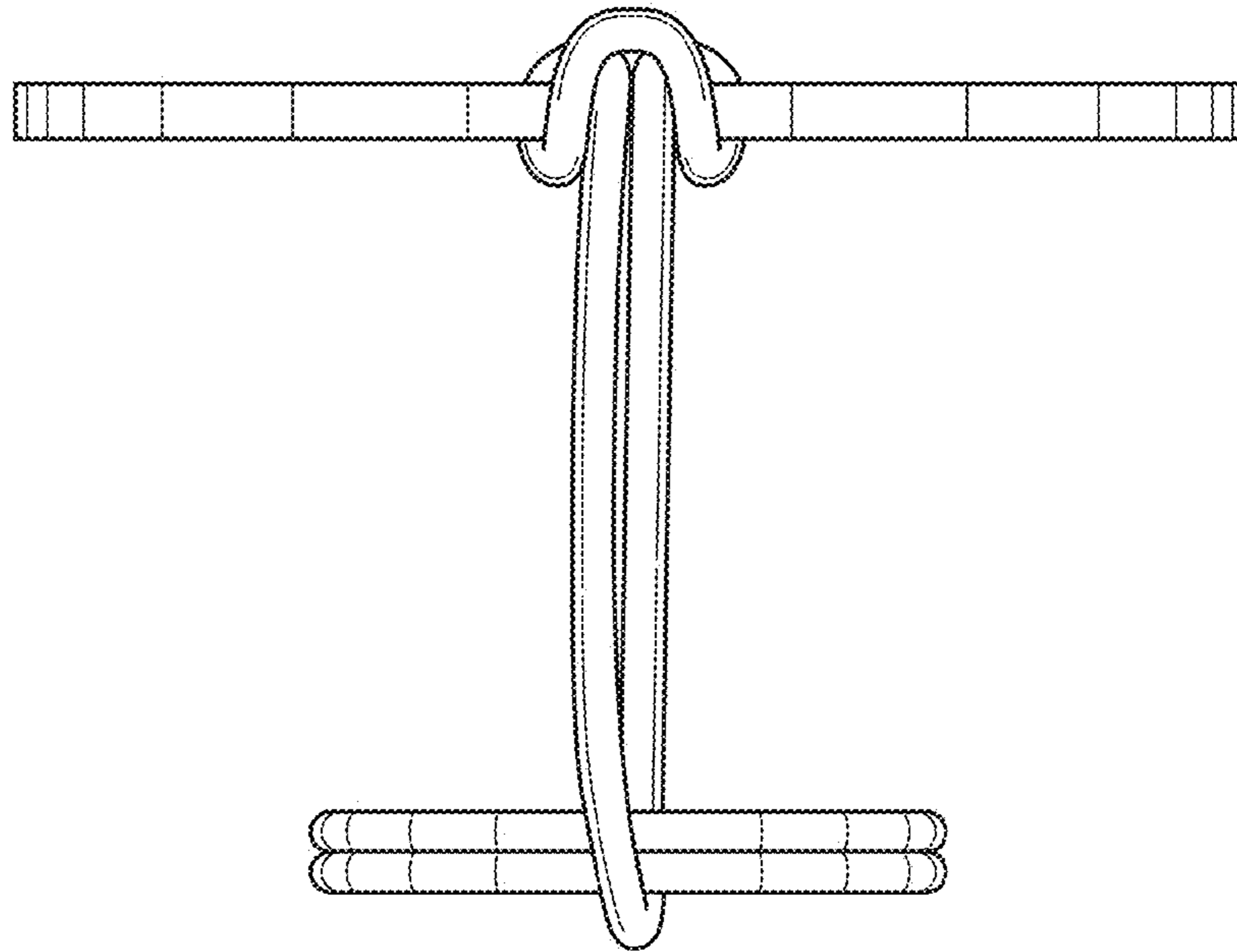


FIG. 5

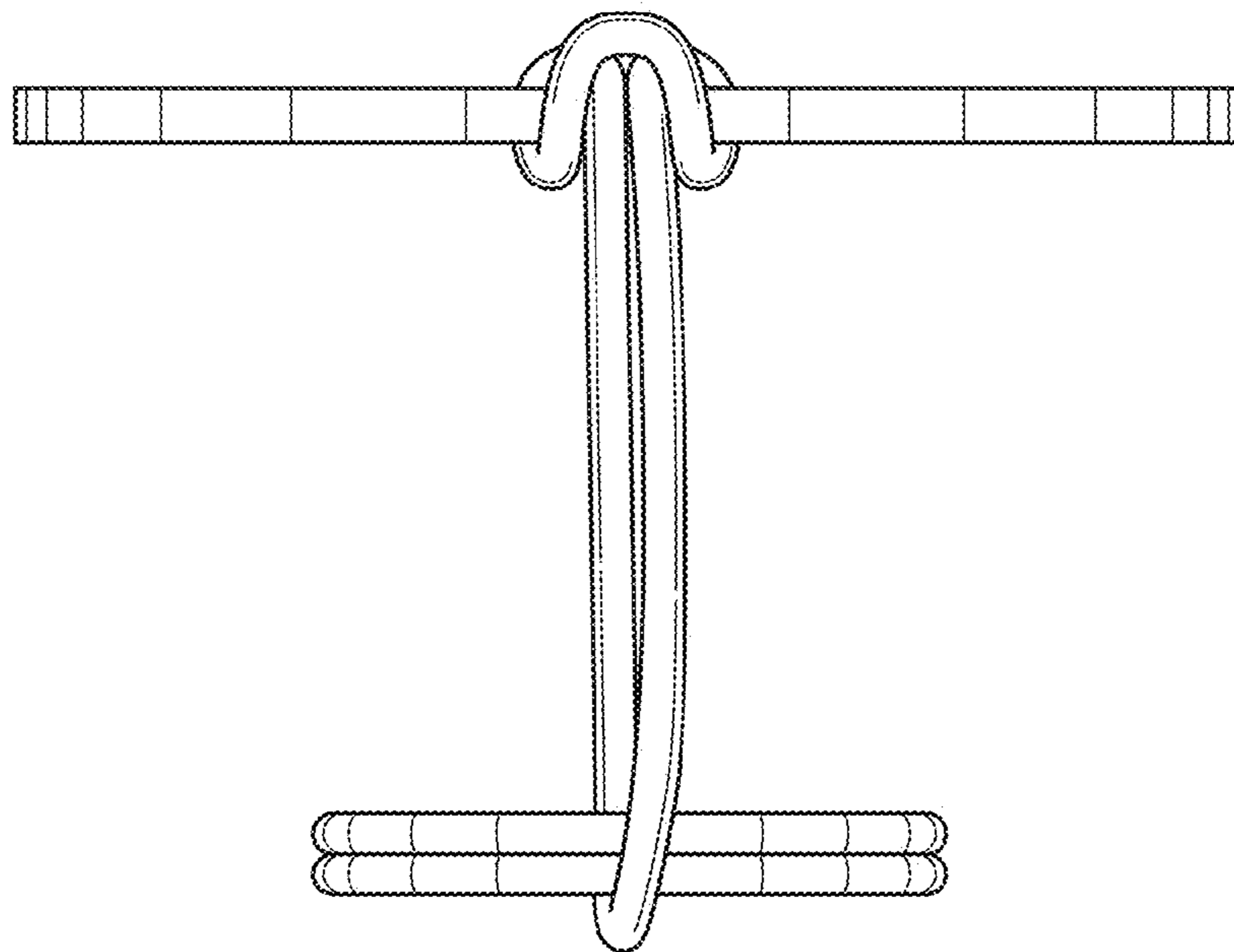


FIG. 6

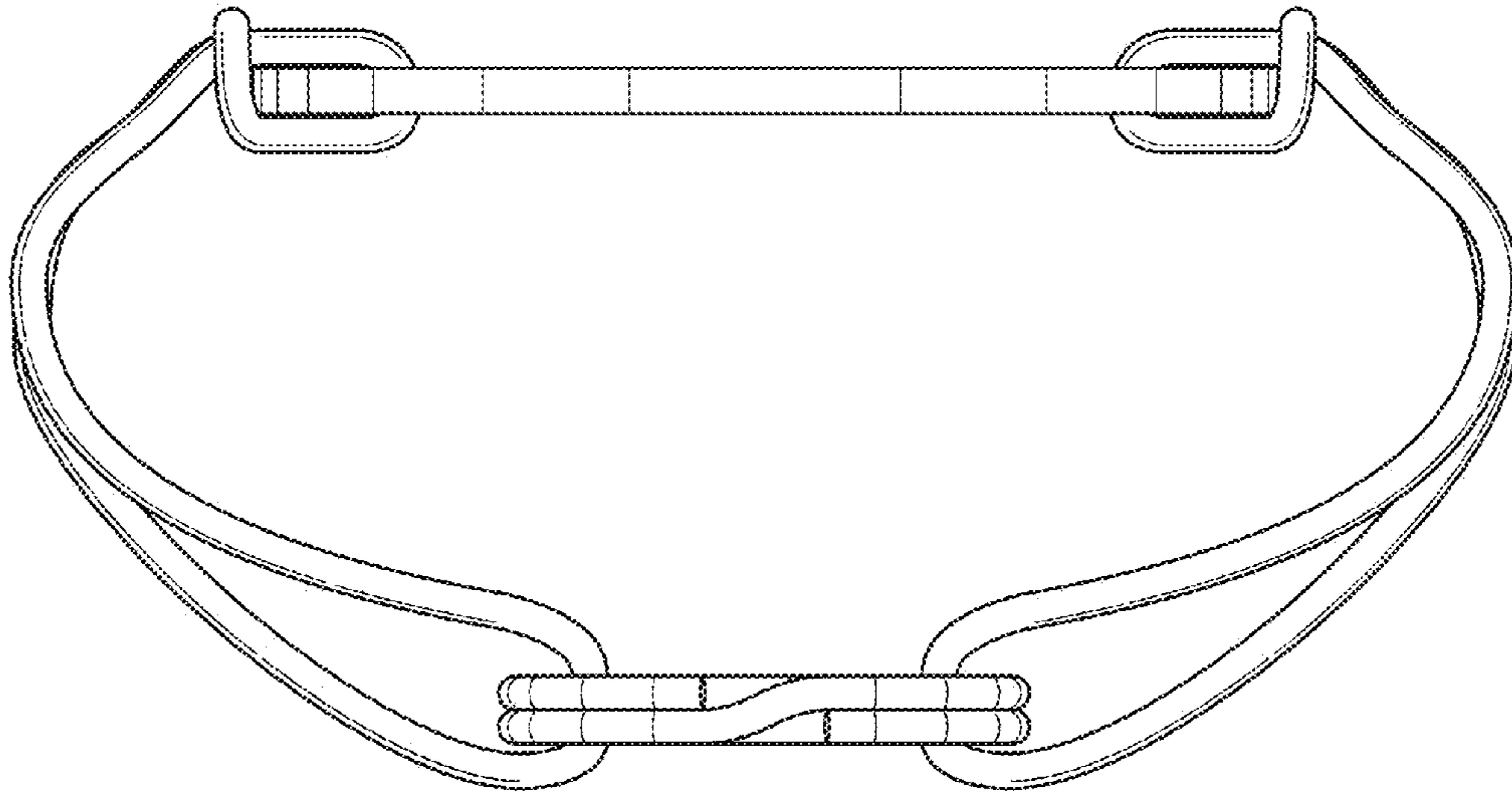


FIG. 7

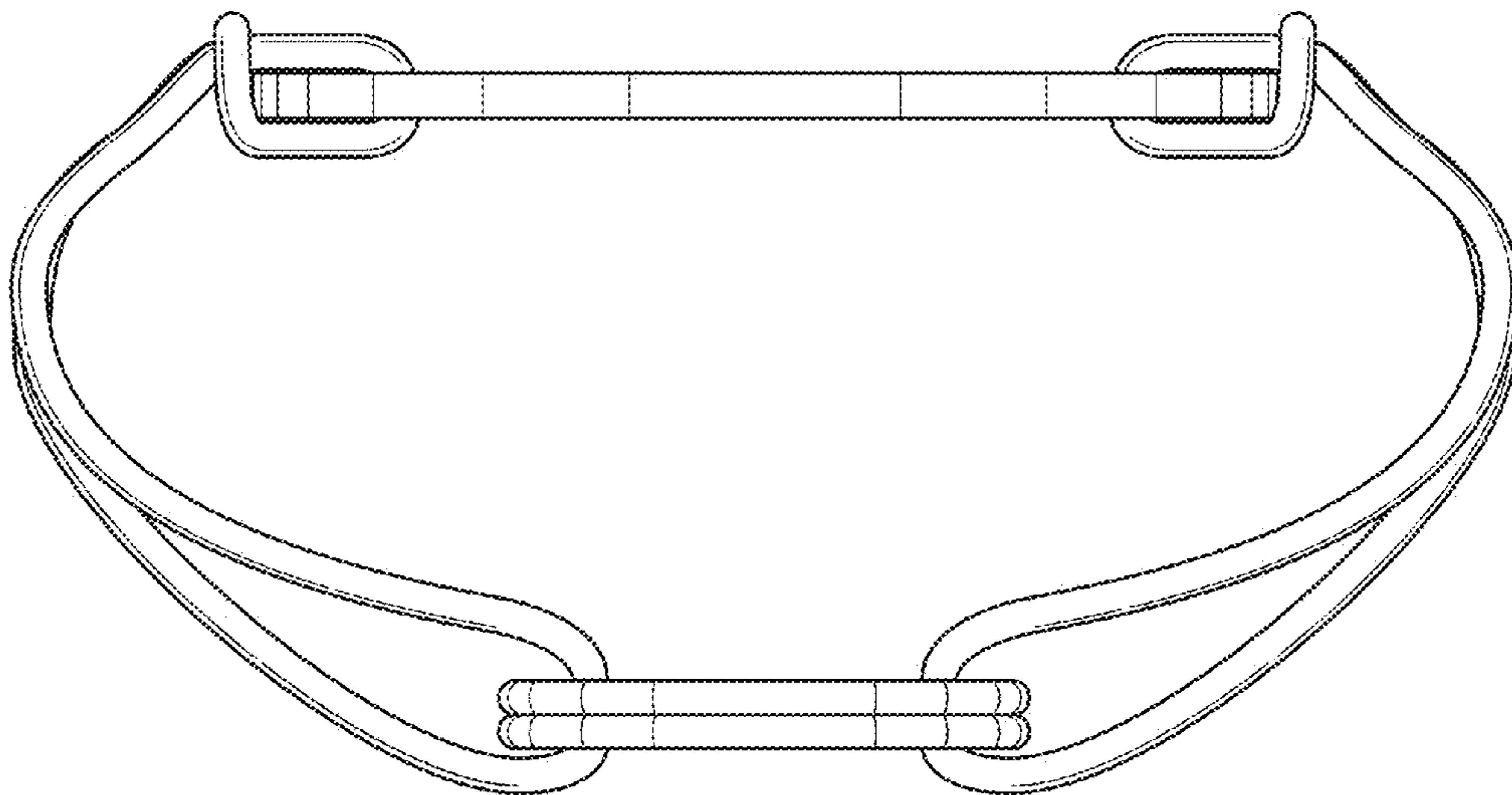


FIG. 8