



US00D754018S

(12) **United States Design Patent**
Ruffieux

(10) **Patent No.:** **US D754,018 S**
(45) **Date of Patent:** **** Apr. 19, 2016**

- (54) **WATCH DIAL**
- (71) Applicant: **Montblanc-Simplo GmbH**, Hamburg (DE)
- (72) Inventor: **Leila Ruffieux**, Neuchâtel (CH)
- (73) Assignee: **Montblanc-Simplo GmbH**, Hamburg (DE)
- (**) Term: **14 Years**
- (21) Appl. No.: **29/518,573**
- (22) Filed: **Feb. 25, 2015**
- (30) **Foreign Application Priority Data**
Aug. 25, 2014 (WO) 835130601
- (51) **LOC (10) Cl.** **10-07**
- (52) **U.S. Cl.**
USPC **D10/126; D10/33**
- (58) **Field of Classification Search**
USPC D10/30-39, 1-29, 122-132; D11/44
CPC G04B 19/00; G04B 19/06; G04B 19/10;
G04B 19/24; G04B 19/241; G04B 19/262;
G04B 19/268; G04C 17/00; G04C 17/005;
G04C 9/00; G04C 9/0082
See application file for complete search history.

- 4,881,213 A * 11/1989 Zaslowsky G04B 19/268
368/15
- D343,127 S * 1/1994 Chen D10/126
- D357,873 S * 5/1995 Silberstein D10/122
- D361,526 S * 8/1995 Yudovin D10/33
- D365,762 S * 1/1996 Mateer D10/21
- 6,449,219 B1 * 9/2002 Hepp G04G 9/0082
368/16
- D481,960 S * 11/2003 Laucella D10/30
- 6,842,404 B2 * 1/2005 Haselberger G04C 17/005
368/223
- 7,196,973 B2 * 3/2007 Born G04B 19/268
368/15
- D578,031 S * 10/2008 Holmes D10/126
- D583,697 S * 12/2008 Tripet D10/126
- D584,182 S * 1/2009 Tripet D10/123
- 7,609,587 B2 * 10/2009 Zimmermann G04B 19/268
368/18
- D632,200 S * 2/2011 Kauffmann D10/126
- D685,279 S * 7/2013 de Haas D10/126
- D710,731 S * 8/2014 Calvani D10/126
- 2004/0156269 A1 * 8/2004 Plange G04B 19/268
368/17
- 2005/0281136 A1 * 12/2005 Wilmouth G04B 19/241
368/28

* cited by examiner

Primary Examiner — Martie K Holtje
(74) *Attorney, Agent, or Firm* — Taft Stettinius & Hollister LLP

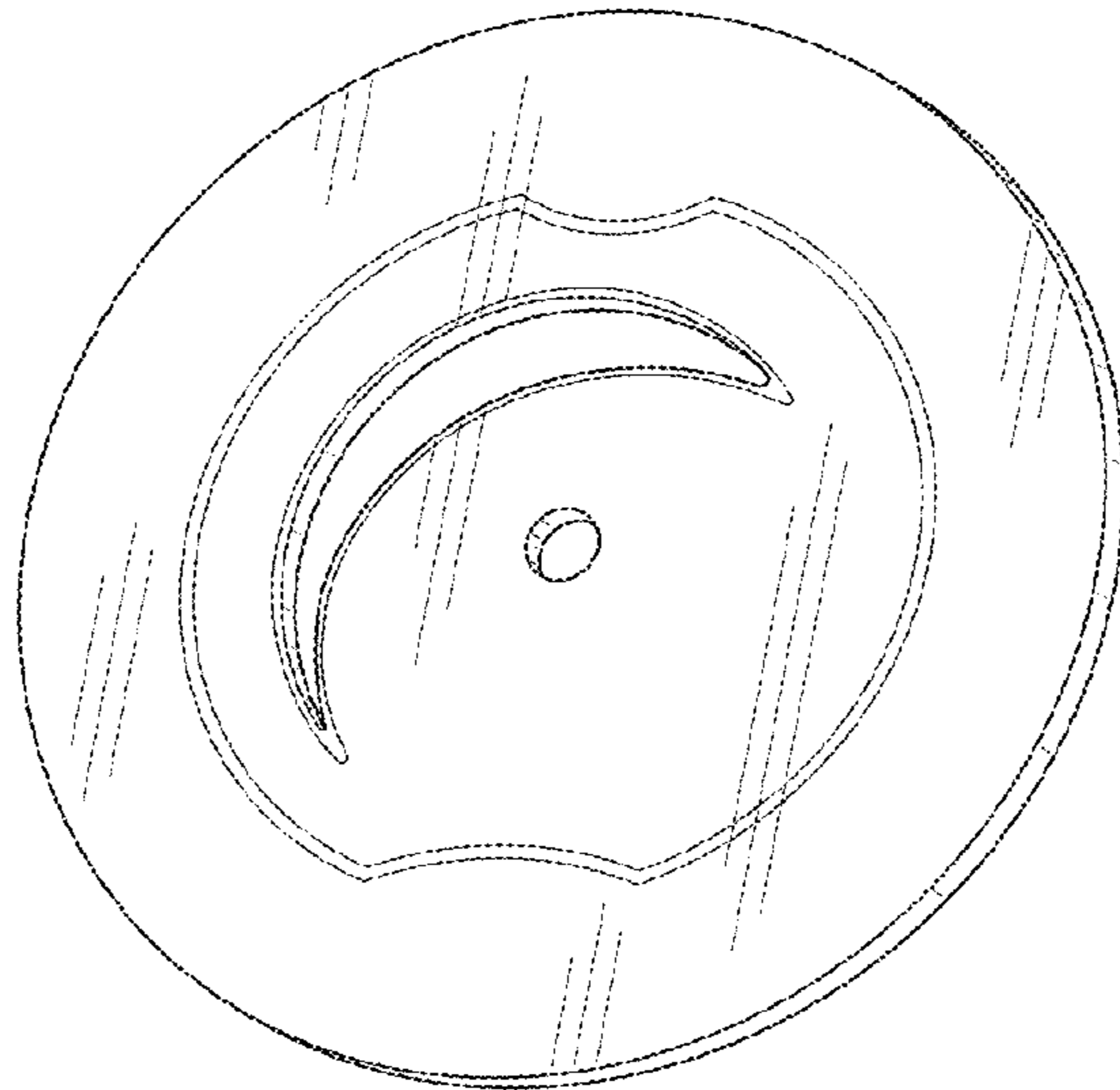
(57) **CLAIM**
The ornamental design for a watch dial, as shown and described.

- (56) **References Cited**
U.S. PATENT DOCUMENTS
508,467 A * 11/1893 Clark G04B 19/268
368/18
D40,663 S * 4/1910 Pease D10/6
1,160,616 A * 11/1915 Jeffery et al. A44C 5/14
224/167
D162,961 S * 4/1951 Katz D10/132
3,183,659 A * 5/1965 Etienne G04B 19/00
368/220

DESCRIPTION

FIG. 1 is a right front perspective view of a watch dial showing my new design;
FIG. 2 is a side elevational view thereof, the top, bottom, and side opposite that shown, being identical thereto;
FIG. 3 is a front elevational view thereof; and,
FIG. 4 is a rear elevational view thereof.

1 Claim, 1 Drawing Sheet



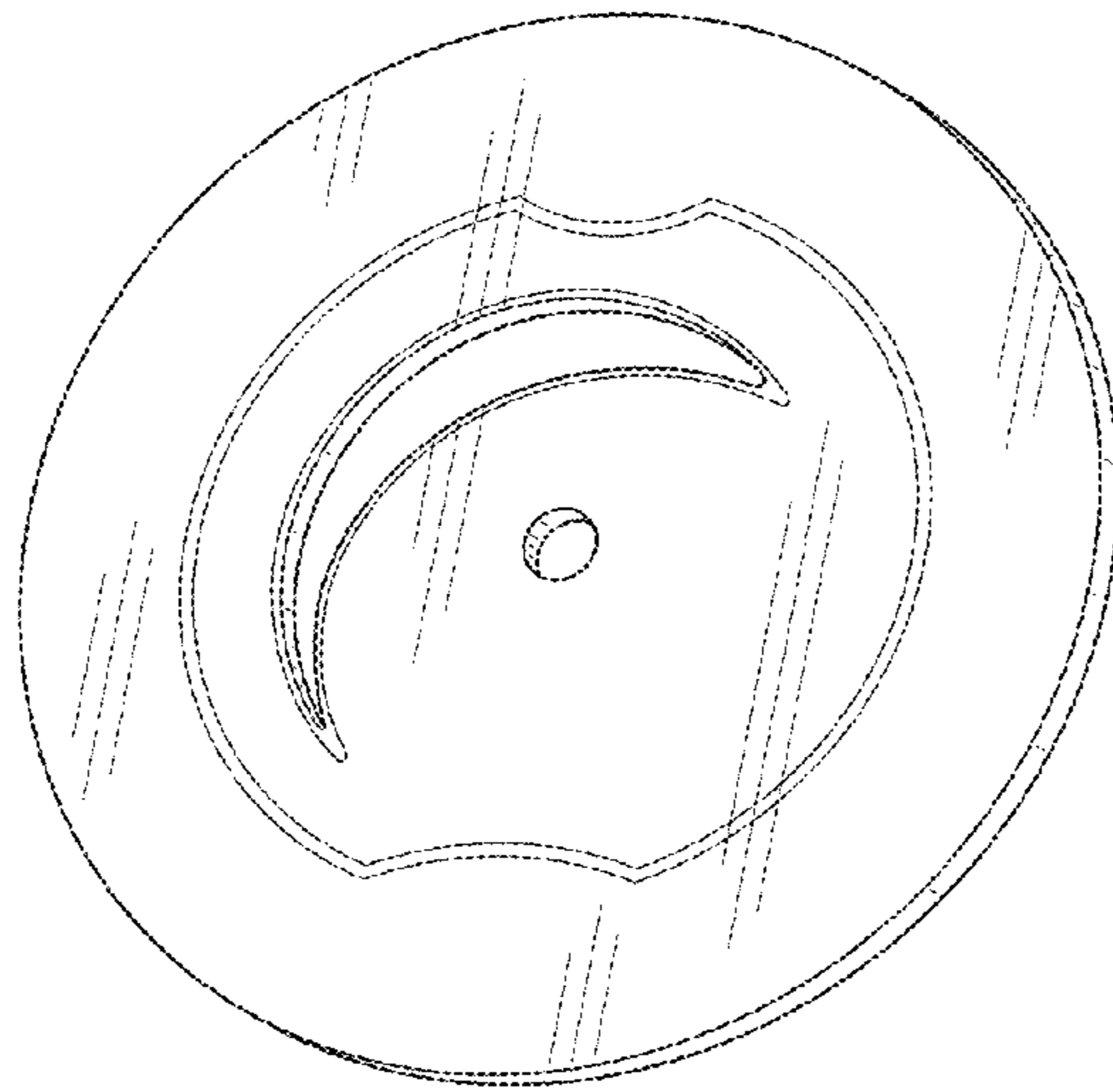


FIG. 1

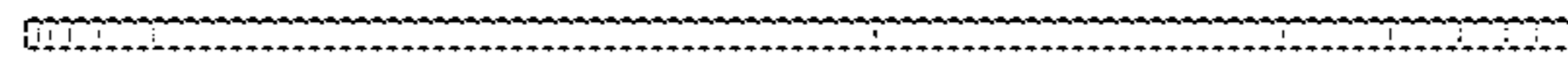


FIG. 2

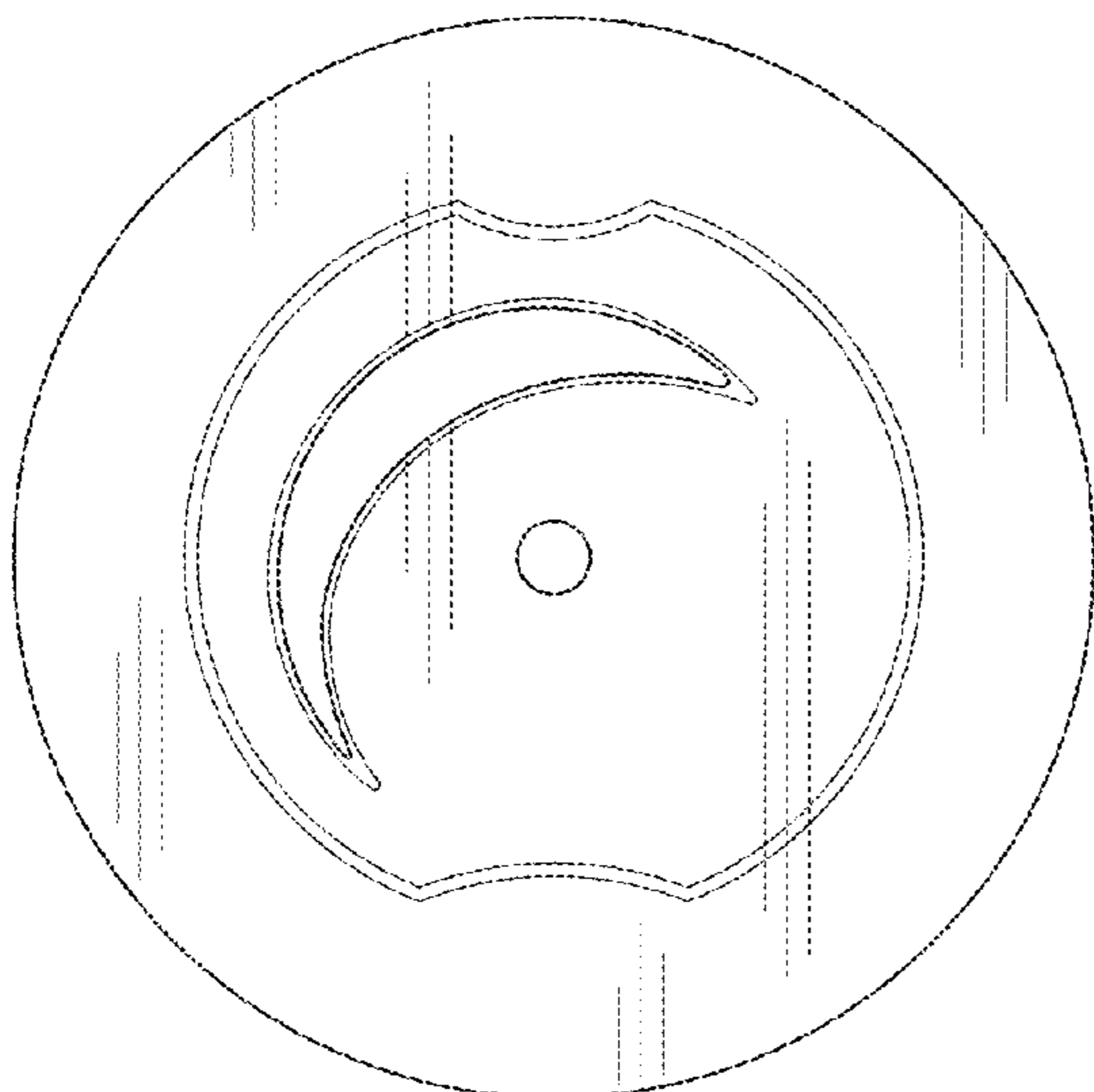


FIG. 3

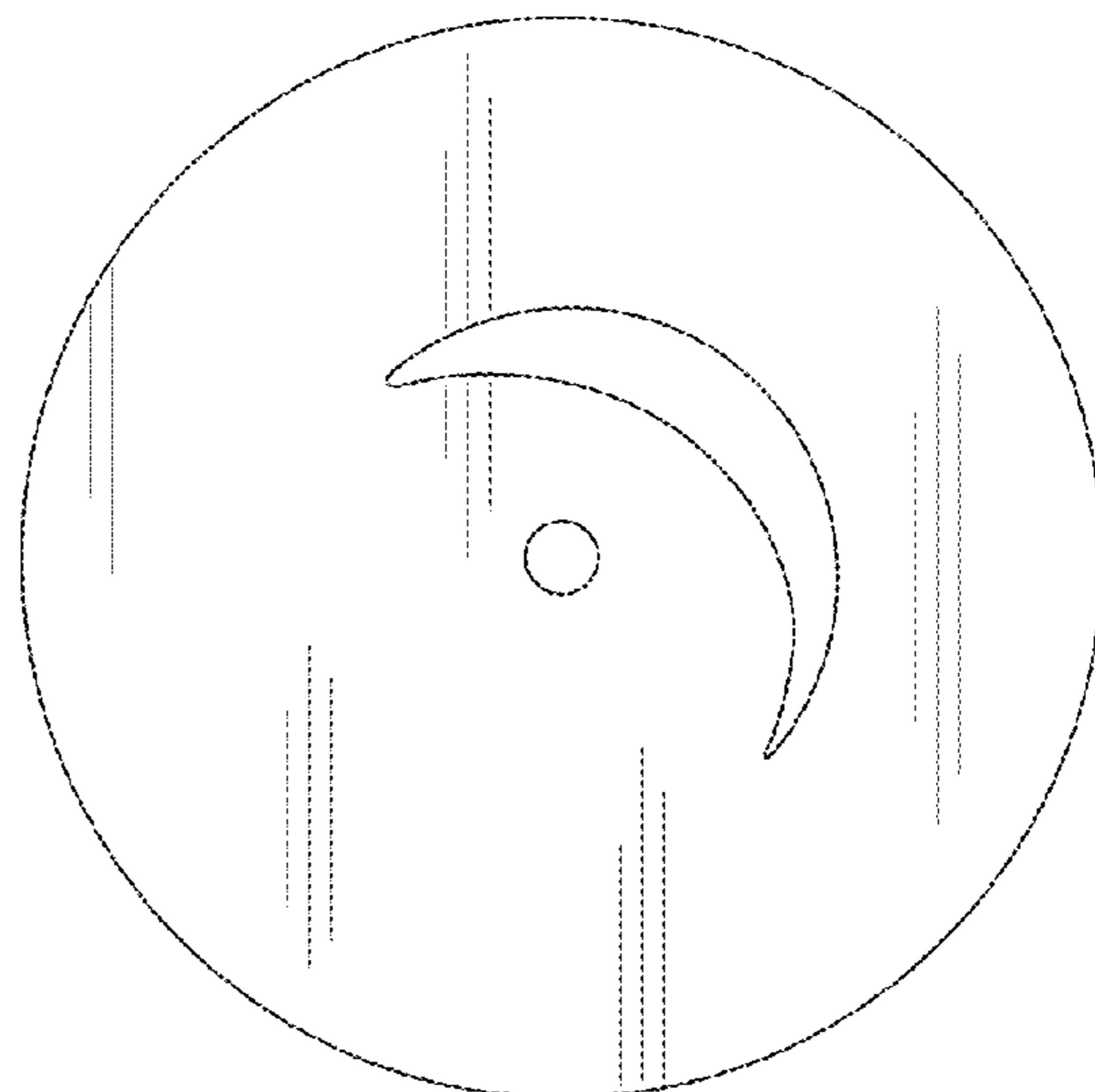


FIG. 4