



US00D754015S

(12) **United States Design Patent**  
**Roberts**

(10) **Patent No.:** **US D754,015 S**

(45) **Date of Patent:** **\*\* Apr. 19, 2016**

(54) **FLAGSTICK REFLECTOR**

(71) Applicant: **PRESTIGE FLAG MFG. CO., INC.**,  
San Diego, CA (US)

(72) Inventor: **Mike Roberts**, San Diego, CA (US)

(73) Assignee: **PRESTIGE FLAG MFG. CO., INC.**,  
San Diego, CA (US)

(\*\*) Term: **14 Years**

(21) Appl. No.: **29/492,986**

(22) Filed: **Jun. 4, 2014**

(51) **LOC (10) Cl.** ..... **10-05**

(52) **U.S. Cl.**  
USPC ..... **D10/109.1**

(58) **Field of Classification Search**  
USPC ..... D10/111, 113.1, 113.4, 109.1,  
D10/114.1-114.2, 114.4, 70; D26/97, 91,  
D26/28, 37; D11/182, 165, 181; D20/41  
CPC ..... F21V 7/00  
See application file for complete search history.

(56) **References Cited**

**U.S. PATENT DOCUMENTS**

2,362,131 A	11/1944	Haggart, Jr.
D242,775 S	12/1976	Williams, Jr.
4,136,394 A	1/1979	Jones et al.
4,813,494 A	3/1989	Beard et al.
4,905,624 A	3/1990	Krolzick
5,301,435 A	4/1994	Buckley
5,311,271 A	5/1994	Hurt et al.
D371,084 S	6/1996	Ogawa
D379,436 S	5/1997	Palmer
5,723,840 A	3/1998	Bojic et al.
5,760,909 A	6/1998	Nichols
D397,047 S	8/1998	Plitman

(Continued)

**OTHER PUBLICATIONS**

Internet World Wide Web Page, <http://www.laserlinkgolf.com>,  
printed Nov. 23, 2004.

(Continued)

*Primary Examiner* — George D Kirschbaum

(74) *Attorney, Agent, or Firm* — Sheppard Mullin Richter &  
Hampton LLP

(57) **CLAIM**

I claim the ornamental design for a flagstick reflector, as  
shown and described.

**DESCRIPTION**

FIG. 1 is a first perspective view of a flagstick reflector  
embodying the new design.

FIG. 2 is an enlarged view taken from the highlighted region  
in FIG. 1.

FIG. 3 is a first side view of the flagstick reflector embodying  
the new design.

FIG. 4 is an enlarged view taken from the highlighted region  
in FIG. 3.

FIG. 5 is a second side view of the flagstick reflector embody-  
ing the new design.

FIG. 6 is an enlarged view taken from the highlighted region  
in FIG. 5.

FIG. 7 is a third side view of the flagstick reflector embodying  
the new design.

FIG. 8 is an enlarged view taken from the highlighted region  
in FIG. 7.

FIG. 9 is a fourth side view of the flagstick reflector embody-  
ing the new design.

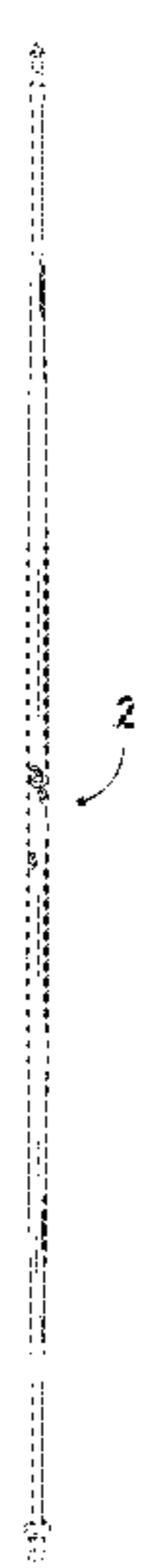
FIG. 10 is an enlarged view taken from the highlighted region  
in FIG. 9.

FIG. 11 is a top view of the flagstick reflector embodying the  
new design; and,

FIG. 12 is a bottom view of the flagstick reflector embodying  
the new design.

The broken line showing of a flag pole is included for the  
purpose of illustrating portions of the “article” and forms no  
part of the claimed design.

**1 Claim, 3 Drawing Sheets**



(56)

**References Cited**

U.S. PATENT DOCUMENTS

5,841,392 A 11/1998 Kishimoto  
6,062,985 A 5/2000 Rege  
6,185,055 B1 2/2001 Feist  
6,209,429 B1 4/2001 Urso et al.  
6,266,628 B1 7/2001 Huep et al.  
6,346,055 B1 2/2002 Rege  
D465,174 S 11/2002 Ursprung  
D477,787 S 7/2003 Plitman  
D526,930 S 8/2006 Plitman  
D536,637 S 2/2007 Plitman  
7,215,412 B2 5/2007 O'Loughlin et al.  
D546,243 S 7/2007 O'Loughlin et al.  
D549,131 S 8/2007 Plitman  
D550,120 S 9/2007 Plitman

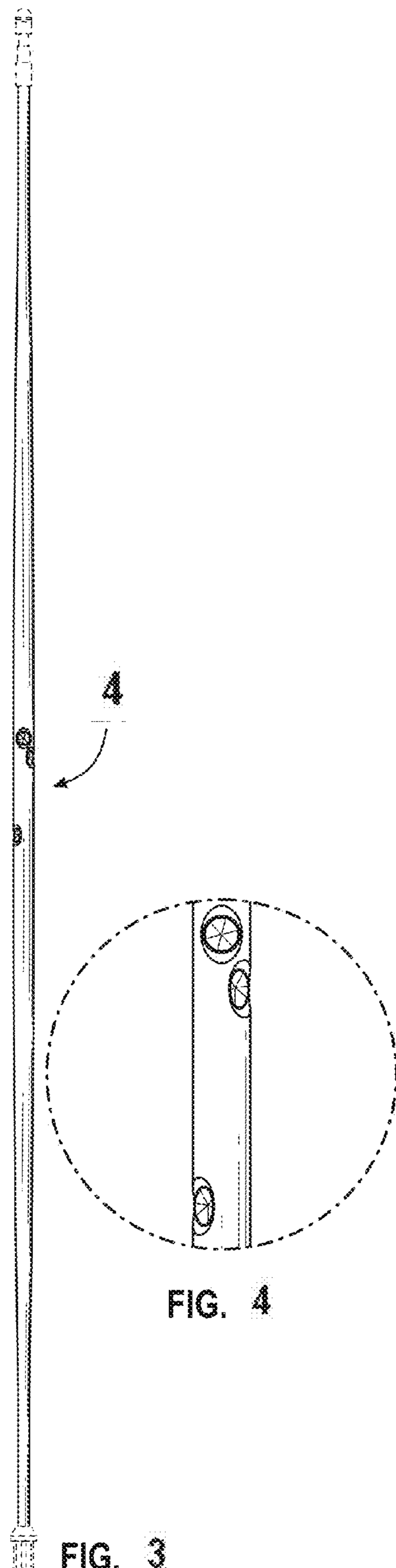
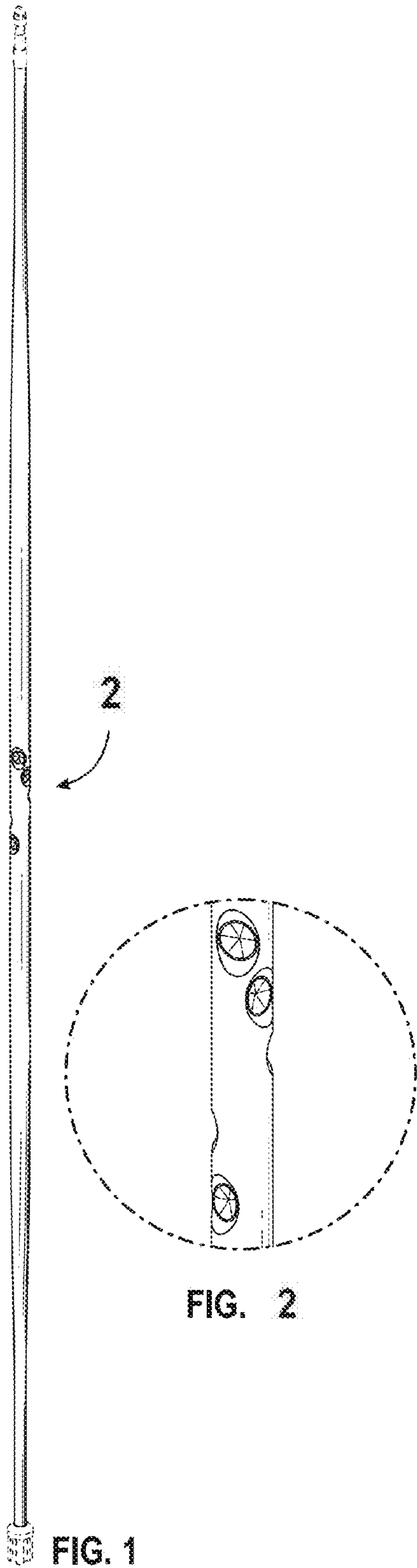
D564,405 S 3/2008 O'Loughlin et al.  
D600,754 S \* 9/2009 Flanagan et al. .... D20/41  
2001/0019101 A1 9/2001 Ohtomo et al.  
2002/0093151 A1 7/2002 Monge  
2004/0031433 A1 2/2004 Cardarelli  
2004/0223139 A1 11/2004 Vogel  
2005/0272515 A1 12/2005 Hurley et al.  
2007/0171394 A1 7/2007 Steiner et al.

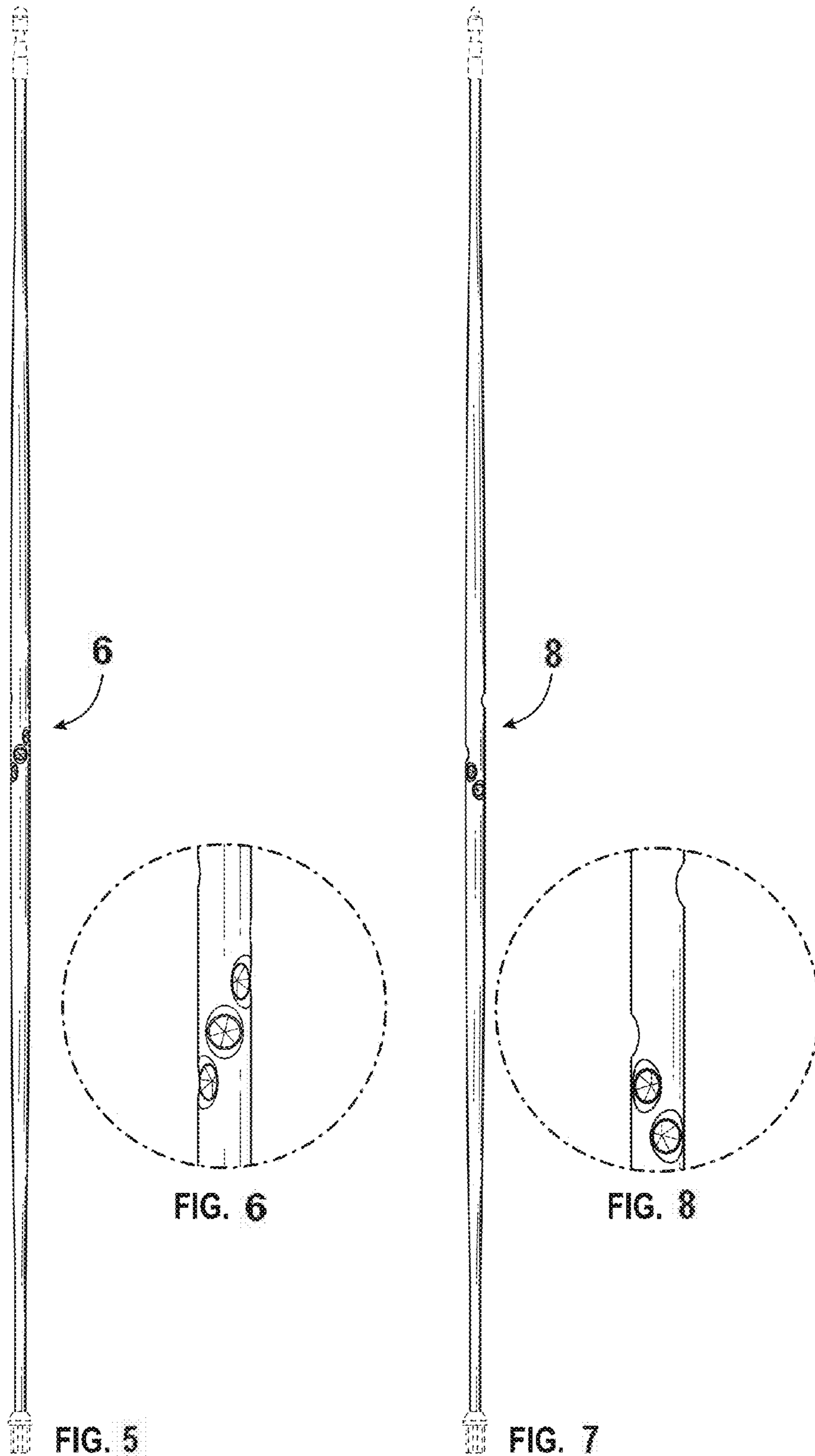
OTHER PUBLICATIONS

Internet World Wide Web Page, [http://www.mosquitocreekoutdoors.com/cgi-bin/SoftCart.exe/golf\\_gps.htm?E+scstore](http://www.mosquitocreekoutdoors.com/cgi-bin/SoftCart.exe/golf_gps.htm?E+scstore), printed Aug. 4, 2004.

Internet World Wide Web Page, <http://www.laserlinkgolf.com/smartyPressRelease.htm>, dated Jan. 12, 2005.

\* cited by examiner







10

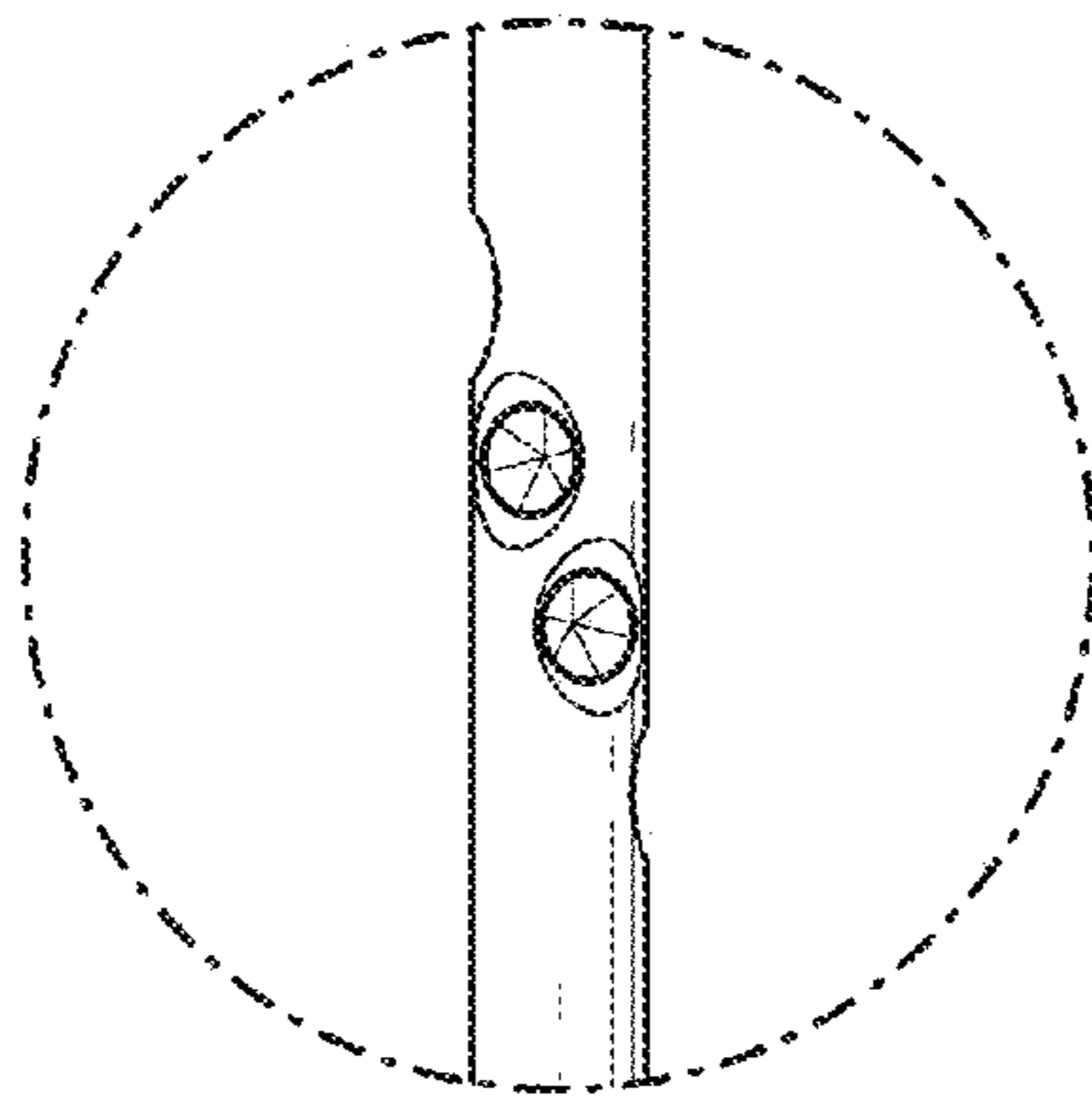


FIG. 10



FIG. 11

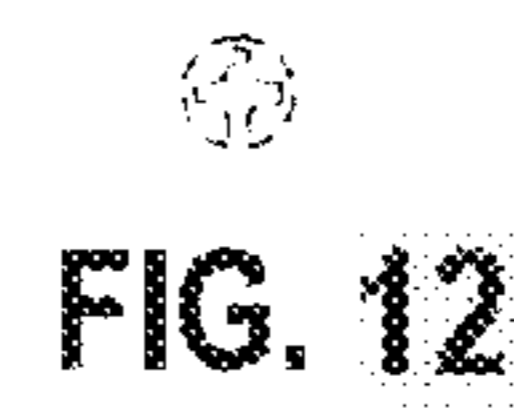


FIG. 12

FIG. 9