



US00D754013S

(12) **United States Design Patent**
Choi et al.

(10) **Patent No.:** **US D754,013 S**
(45) **Date of Patent:** **** Apr. 19, 2016**

(54) **LANDING OPERATION PANEL FOR ELEVATOR**

(71) Applicant: **mitsubishi electric CORPORATION**, Tokyo (JP)

(72) Inventors: **Eunjin Choi**, Tokyo (JP); **Eiji Yuasa**, Tokyo (JP)

(73) Assignee: **mitsubishi electric CORPORATION**, Tokyo (JP)

(**) Term: **14 Years**

(21) Appl. No.: **29/502,785**

(22) Filed: **Sep. 19, 2014**

(30) **Foreign Application Priority Data**

Mar. 24, 2014 (JP) 2014-006089
Mar. 24, 2014 (JP) 2014-006090

(51) **LOC (10) Cl.** **10-05**

(52) **U.S. Cl.**
USPC **D10/108**

(58) **Field of Classification Search**
USPC D10/108; D13/162, 162.1; D14/371, D14/198
CPC B66B 1/00; B66B 3/00
See application file for complete search history.

(56) **References Cited**

U.S. PATENT DOCUMENTS

D359,694 S *	6/1995	Reeve, Jr.	D10/15
D457,869 S *	5/2002	Narita	D14/150
D568,288 S *	5/2008	Suzuki	D14/171
D597,103 S *	7/2009	Xiao	D14/500
D658,175 S *	4/2012	Goetzen	D14/371

* cited by examiner

Primary Examiner — George D Kirschbaum

(74) *Attorney, Agent, or Firm* — Studebaker & Brackett PC

(57) **CLAIM**

The ornamental design for a landing operation panel for elevator, as shown and described.

DESCRIPTION

FIG. 1 is a perspective view of the front, right, and top side of a landing operation panel for elevator showing our new design;

FIG. 2 is a front view thereof;

FIG. 3 is a rear view thereof;

FIG. 4 is a left side view thereof;

FIG. 5 is a right side view thereof;

FIG. 6 is a top view thereof;

FIG. 7 is a bottom view thereof;

FIG. 8 is a reference front view of an energized state; and,

FIG. 9 is a reference view for showing use situation.

The broken lines shown represent unclaimed subject matter of landing operation panel for elevator and form no part of the claimed design.

1 Claim, 7 Drawing Sheets

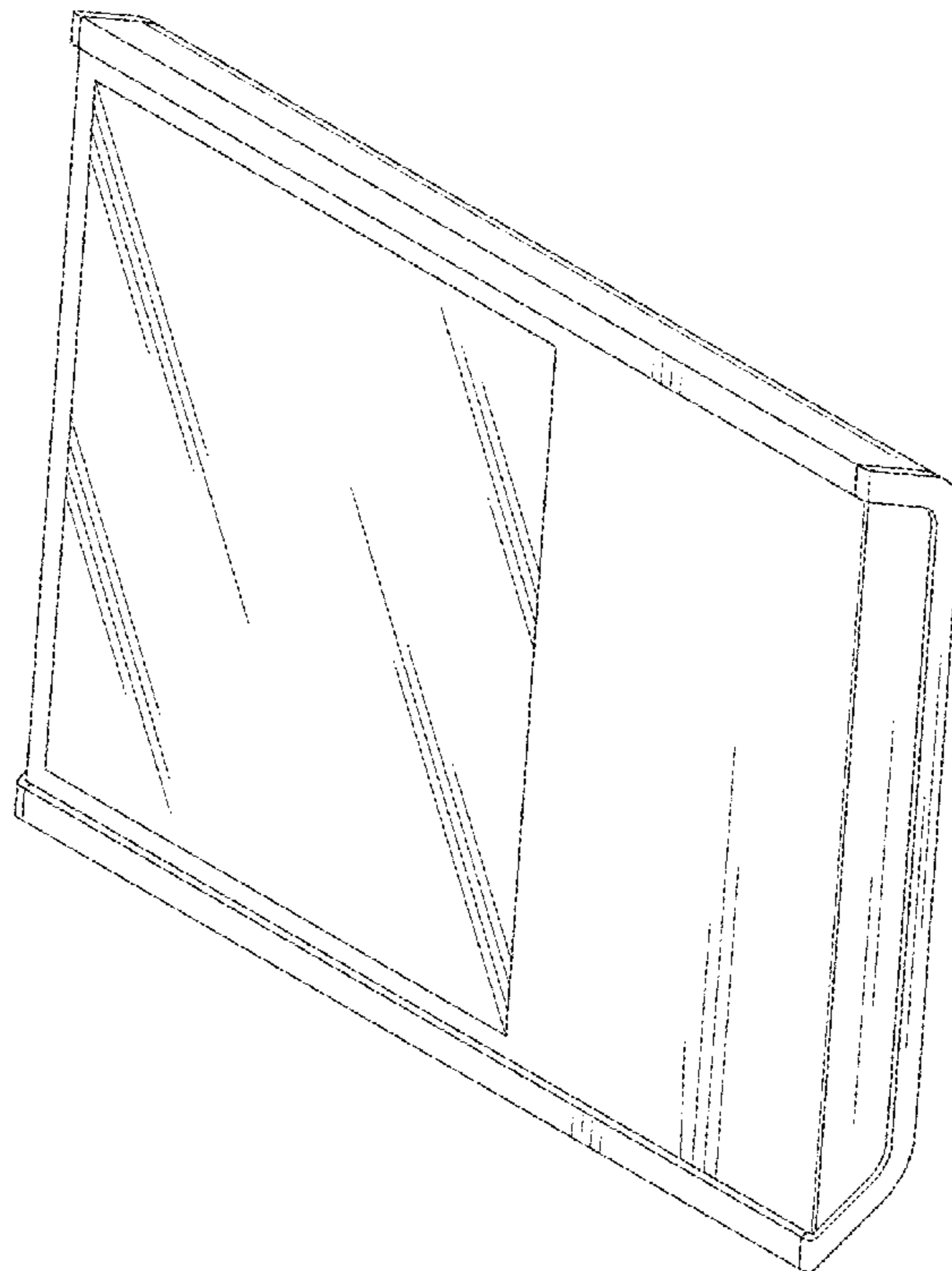


Fig. 1

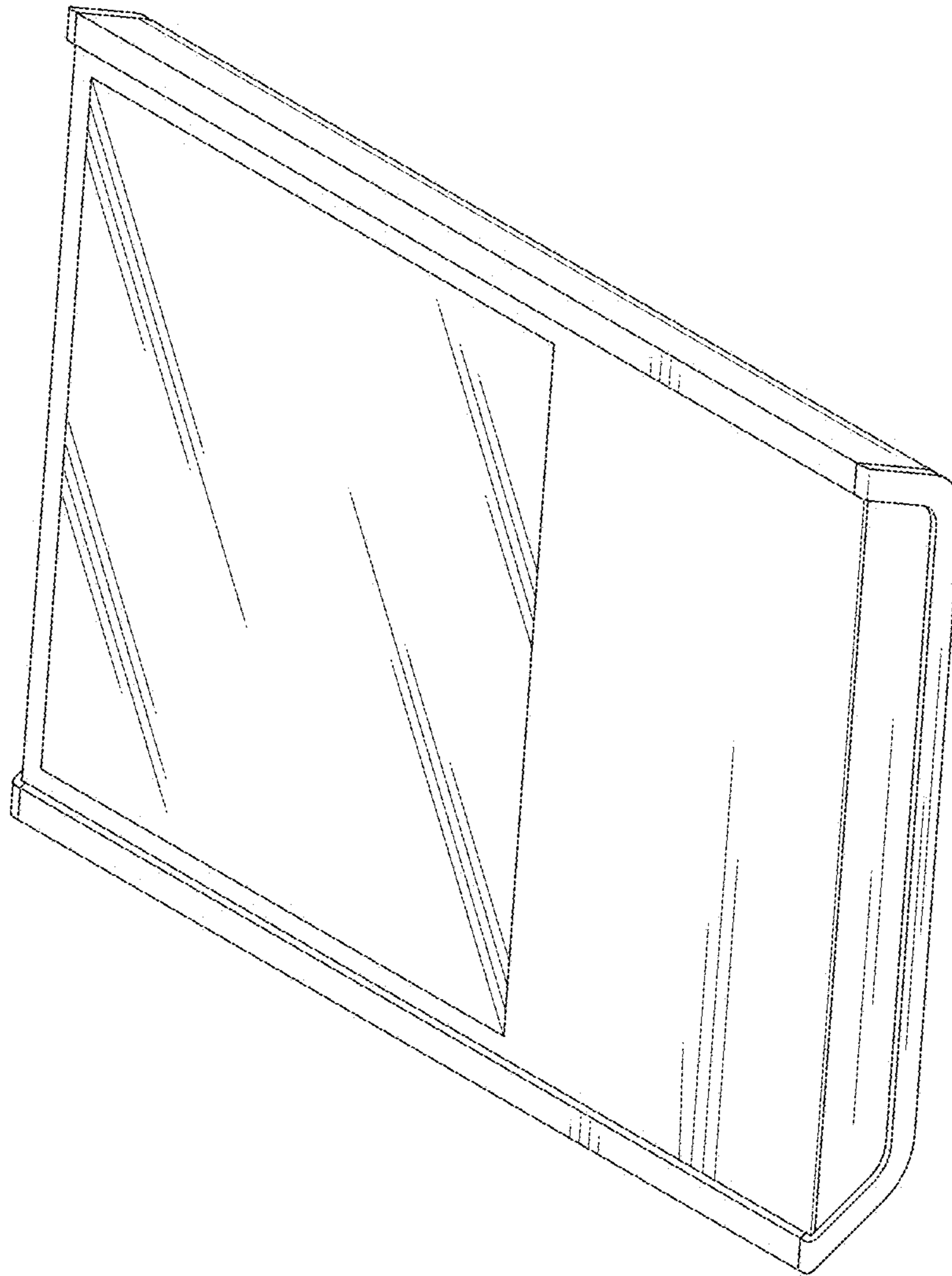


Fig. 2

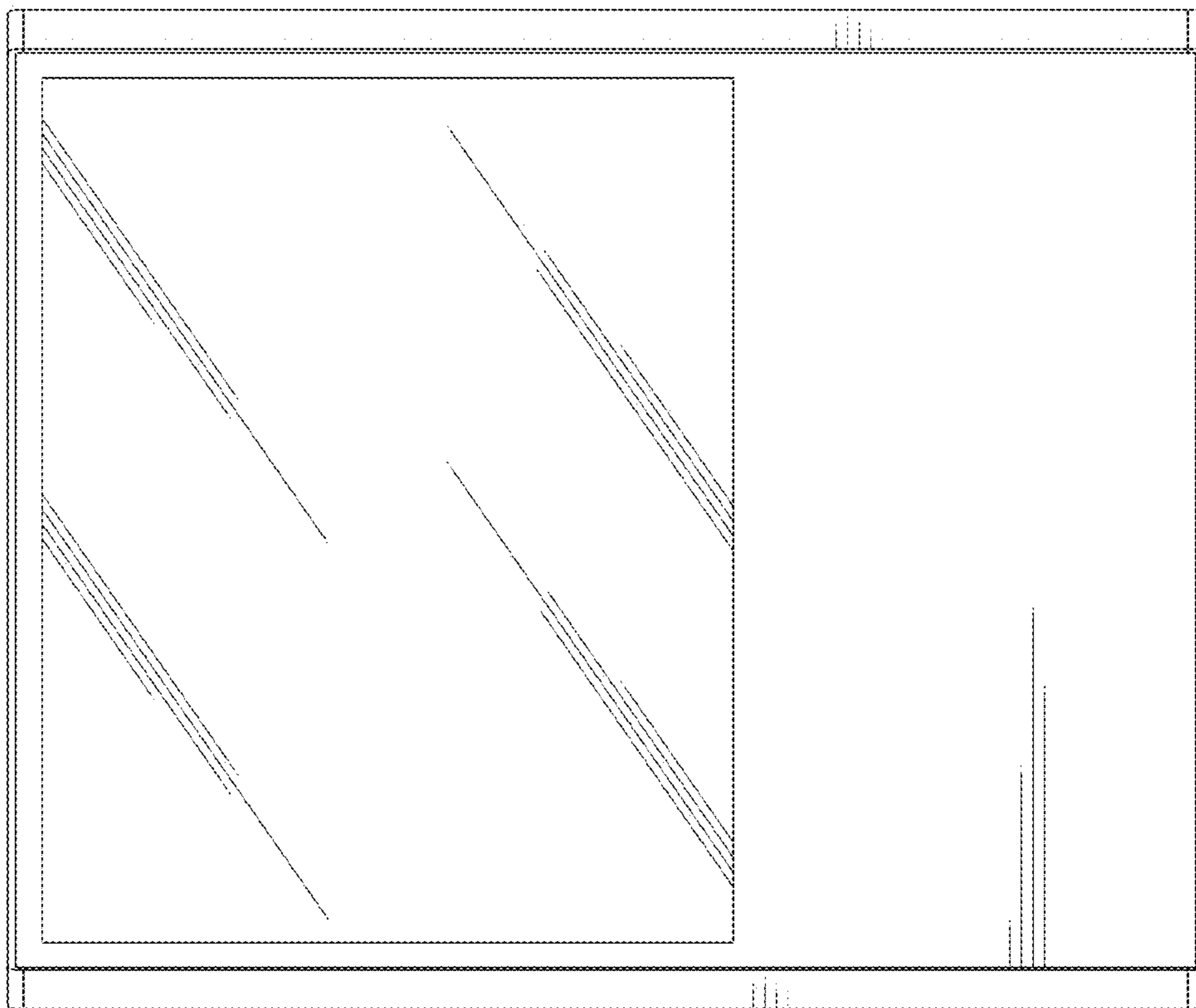


Fig. 3

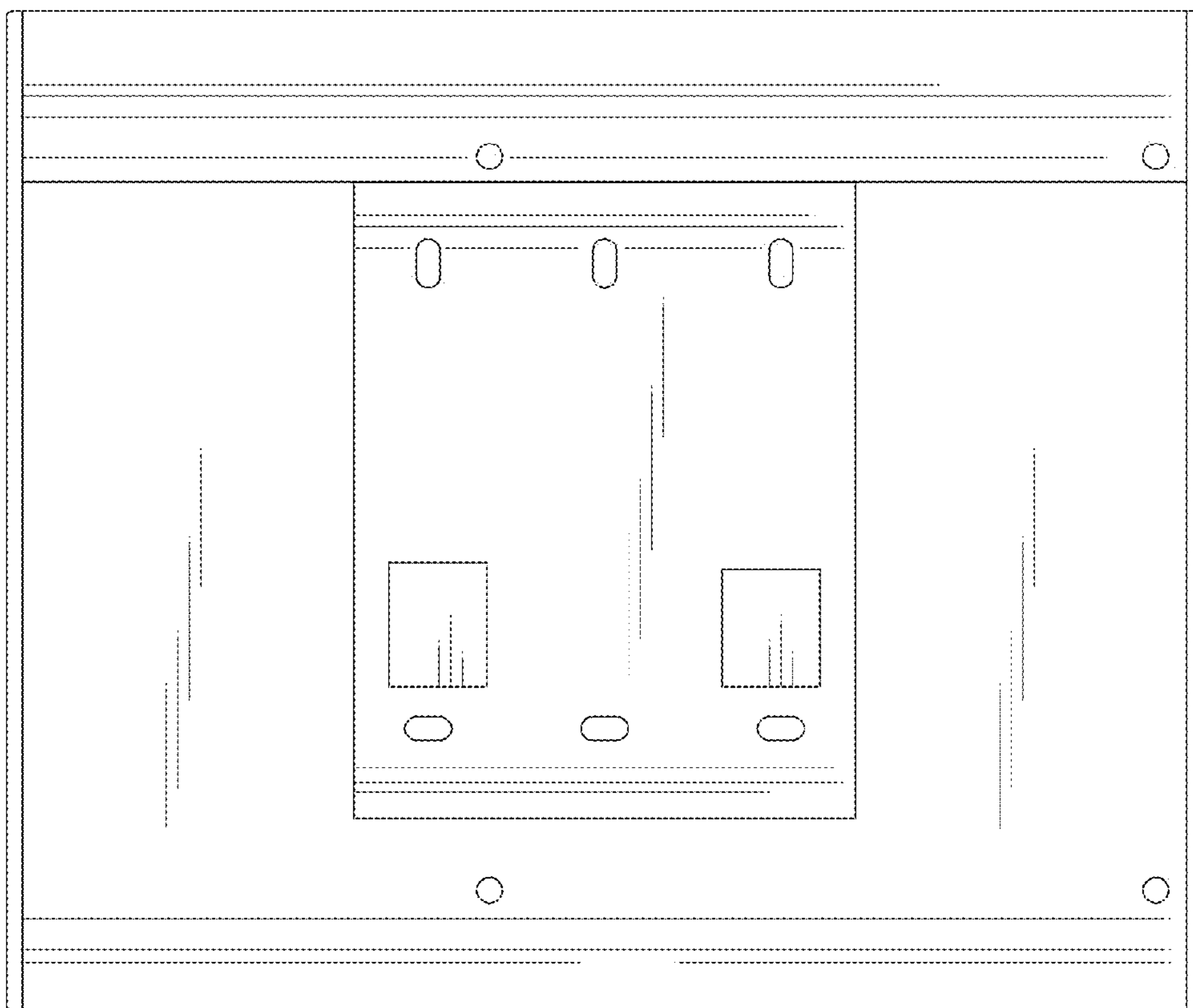


Fig. 4

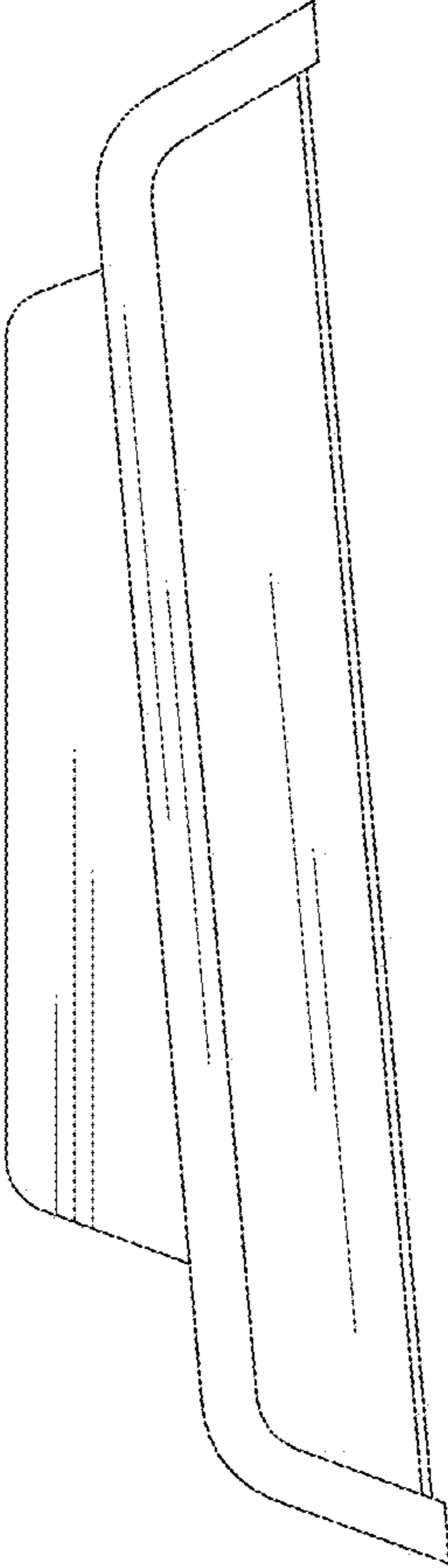


Fig. 5

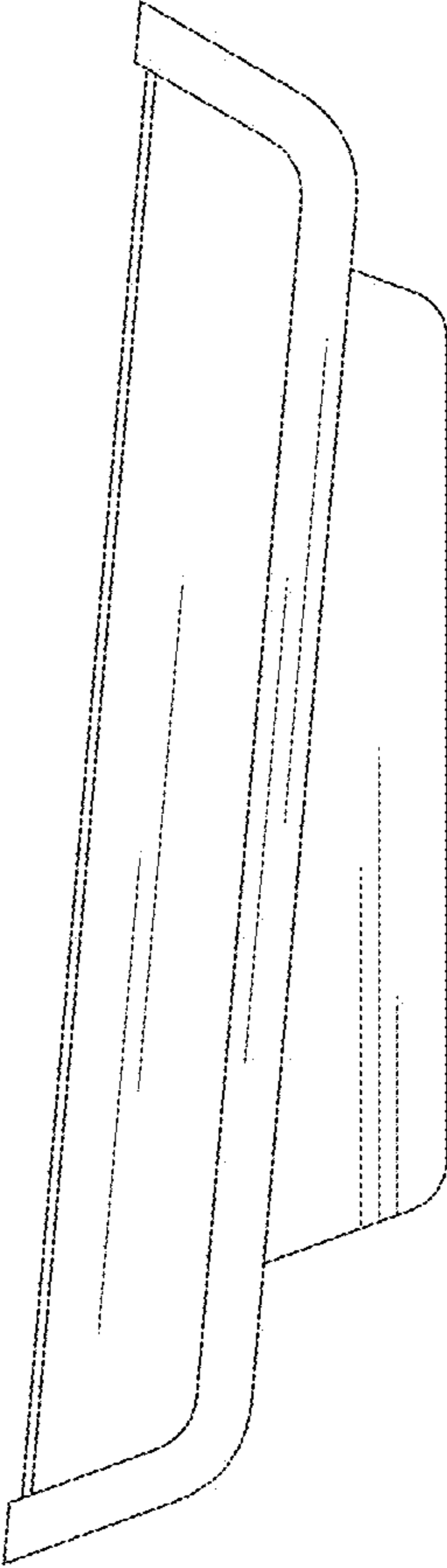


Fig. 6

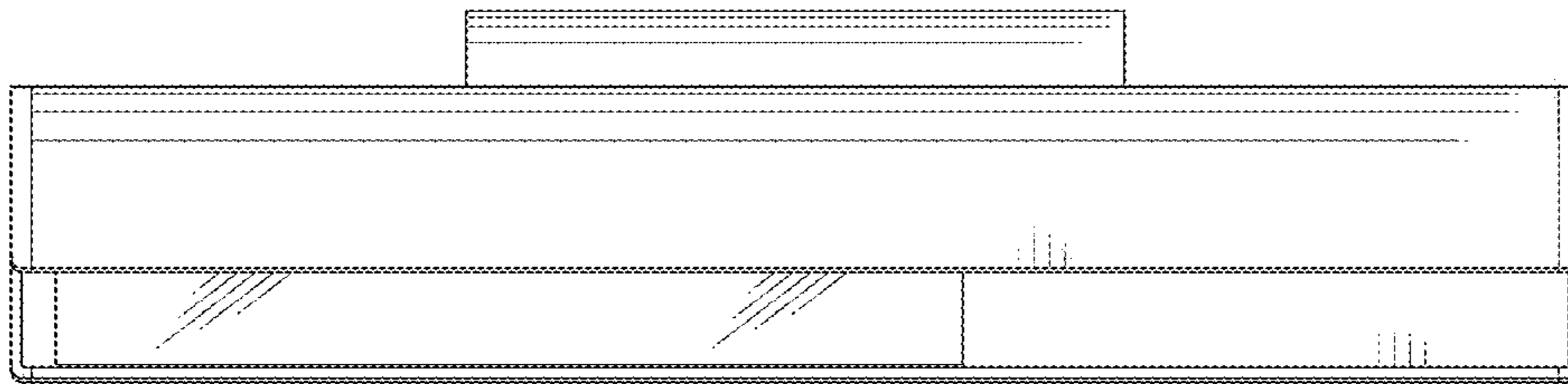


Fig. 7

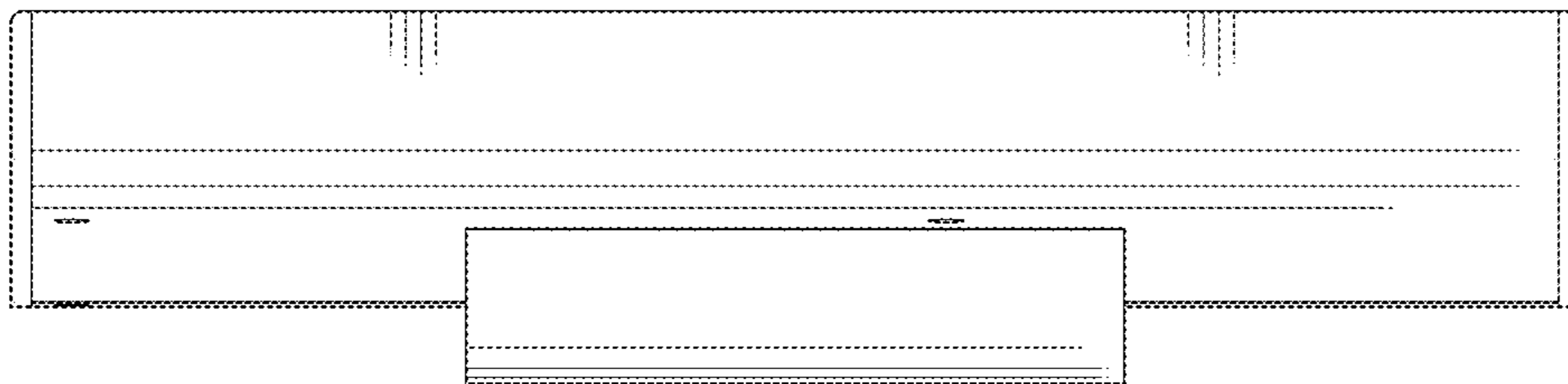


Fig. 8

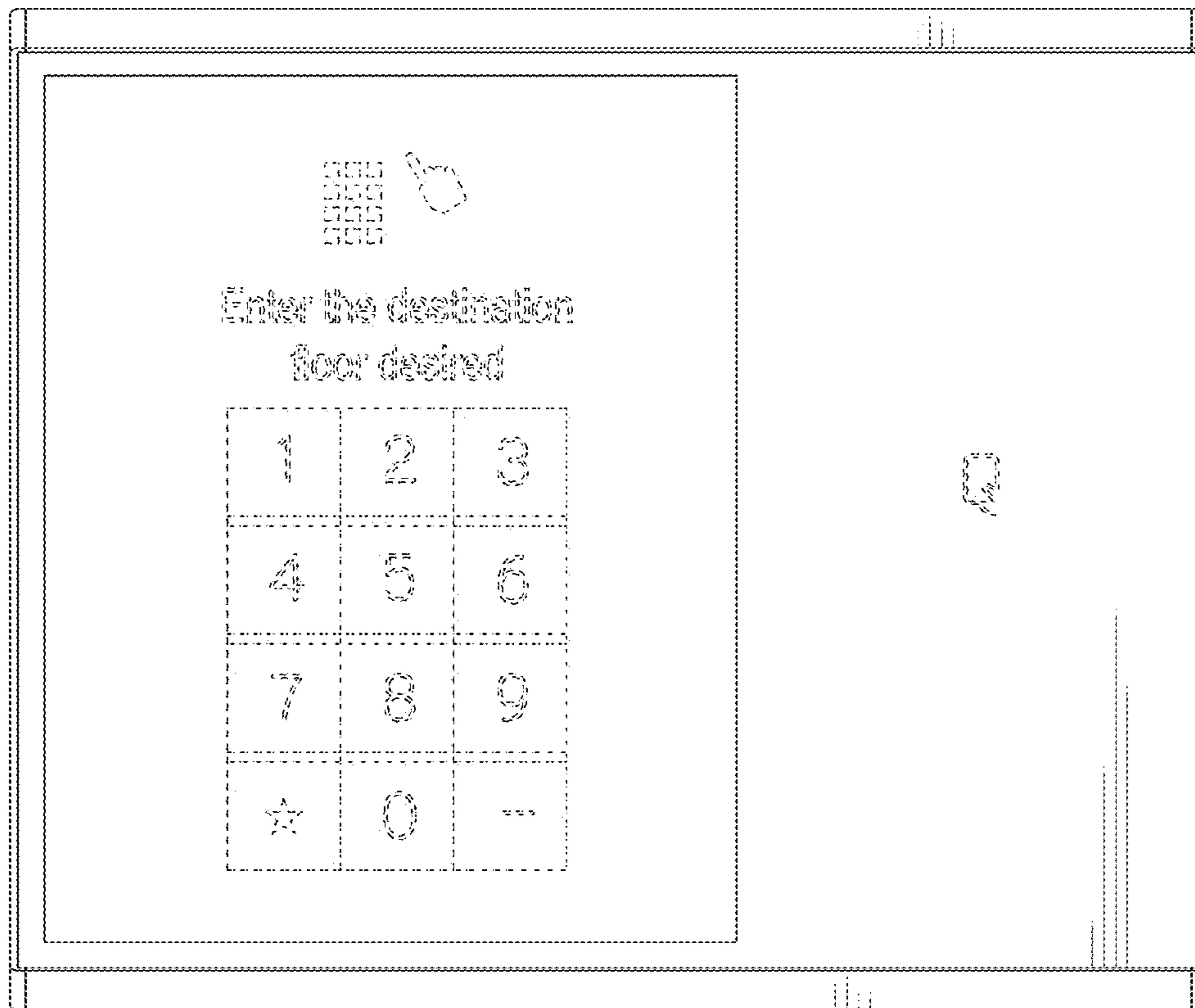


Fig. 9

