

US00D754007S

(12) **United States Design Patent**  
**Stefancic, Sr. et al.**

(10) **Patent No.:** **US D754,007 S**  
(45) **Date of Patent:** **\*\* Apr. 19, 2016**

(54) **HARDBANDING GAUGE AND RULER**

D686,926 S \* 7/2013 Moe ..... D10/62  
D713,746 S \* 9/2014 Collins ..... D10/64  
D742,261 S \* 11/2015 Halker ..... D10/64

(71) Applicant: **Postle Industries, Inc.**, Cleveland, OH  
(US)

**OTHER PUBLICATIONS**

(72) Inventors: **Steven L. Stefancic, Sr.**, Brunswick Hills, OH (US); **Michael L. Heyd**, Berea, OH (US)

Two photographs of Tool Joint Identifier Ruler and Gauge distributed by Tubular Inspection Company, Inc., 1710 S. Dairy Ashford Street, Suite 101, Houston, TX 77077. Manufacturing/distribution date unknown. The Tool Joint Identifier Ruler and Gauge depicted in the photographs is prior art to the present invention. (Exhibit A).

(73) Assignee: **Postle Industries, Inc.**, Cleveland, OH  
(US)

Two photographs of steel ruler. Manufacturer/distributor unknown. Manufacturing/distribution date unknown. The steel ruler depicted in the photographs is prior art to the present invention. (Exhibit B).

(\*\*) Term: **14 Years**

\* cited by examiner

(21) Appl. No.: **29/498,310**

*Primary Examiner* — Antoine D Davis

(22) Filed: **Aug. 1, 2014**

(74) *Attorney, Agent, or Firm* — Tarolli, Sundheim, Covell & Tummino LLP

(51) **LOC (10) Cl.** ..... **10-04**

(52) **U.S. Cl.**

USPC ..... **D10/65**; D10/71

(58) **Field of Classification Search**

USPC ..... D10/64, 65, 71

CPC ..... G01B 3/02; G01B 3/04; G01B 3/30;

G01B 3/303; G01B 3/306; G01B 3/32;

B43L 13/145

See application file for complete search history.

(57) **CLAIM**

We claim the ornamental design for a hardbanding gauge and ruler, as shown and described.

**DESCRIPTION**

FIG. 1 is a front, top perspective view of a hardbanding gauge and ruler;

FIG. 2 is a front, bottom perspective view thereof;

FIG. 3 is a front elevation view thereof;

FIG. 4 is a rear elevation view thereof;

FIG. 5 is a left side elevation view thereof;

FIG. 6 is a right side elevation view thereof;

FIG. 7 is a top plan view thereof; and,

FIG. 8 is a bottom plan view thereof.

The broken lines shown are for illustrative purposes only and form no part of the claimed design.

**1 Claim, 3 Drawing Sheets**

(56) **References Cited**

**U.S. PATENT DOCUMENTS**

3,201,873 A \* 8/1965 Bell ..... G01B 3/30  
33/42

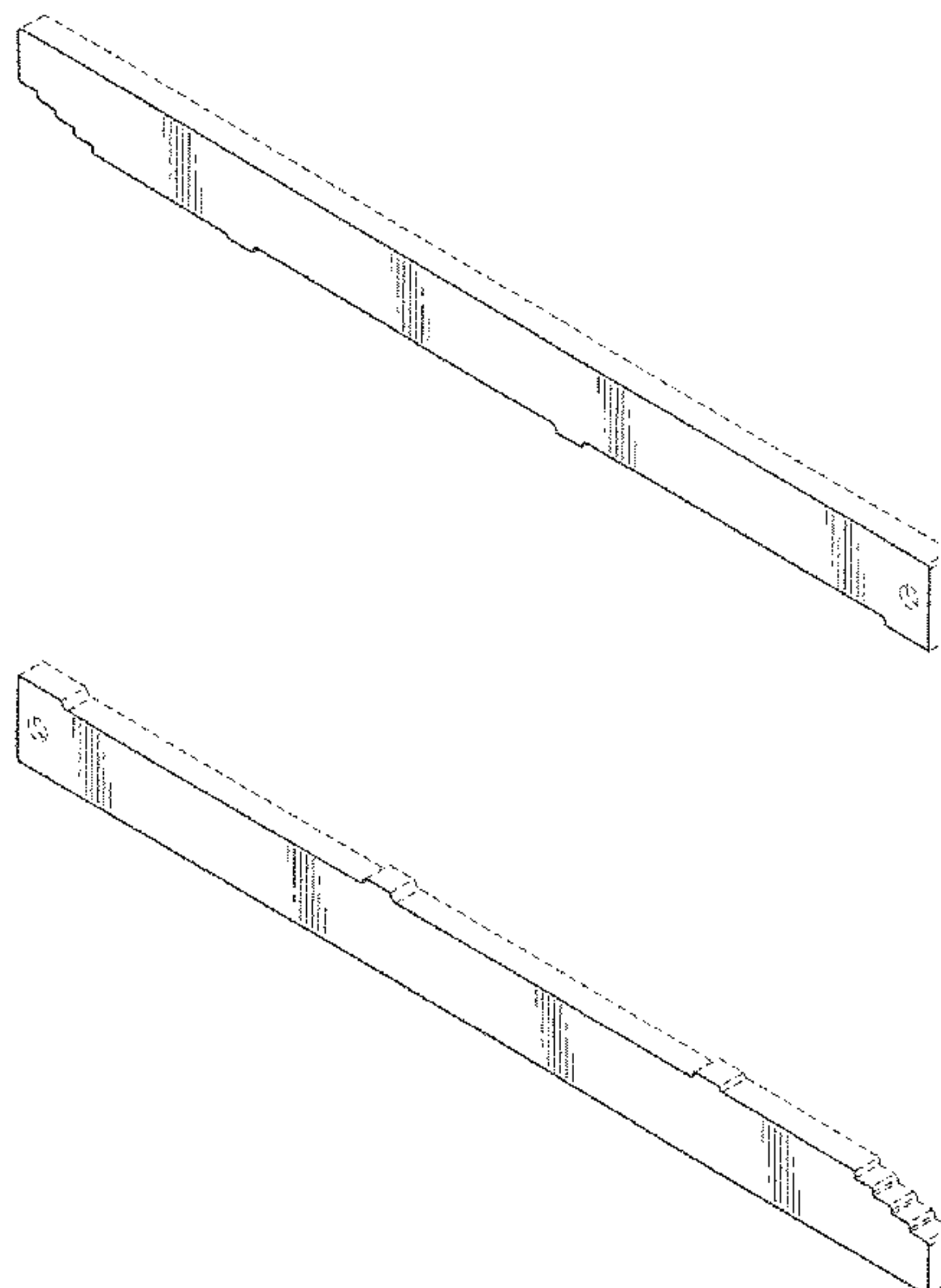
D265,177 S \* 6/1982 Skinner ..... D10/64

6,434,852 B1 \* 8/2002 Tarris ..... B23D 59/002  
33/613

6,862,815 B1 \* 3/2005 Blouch ..... G01B 3/30  
33/562

7,040,151 B2 \* 5/2006 Graham et al. .... 73/121

D677,183 S \* 3/2013 Varga ..... D10/71



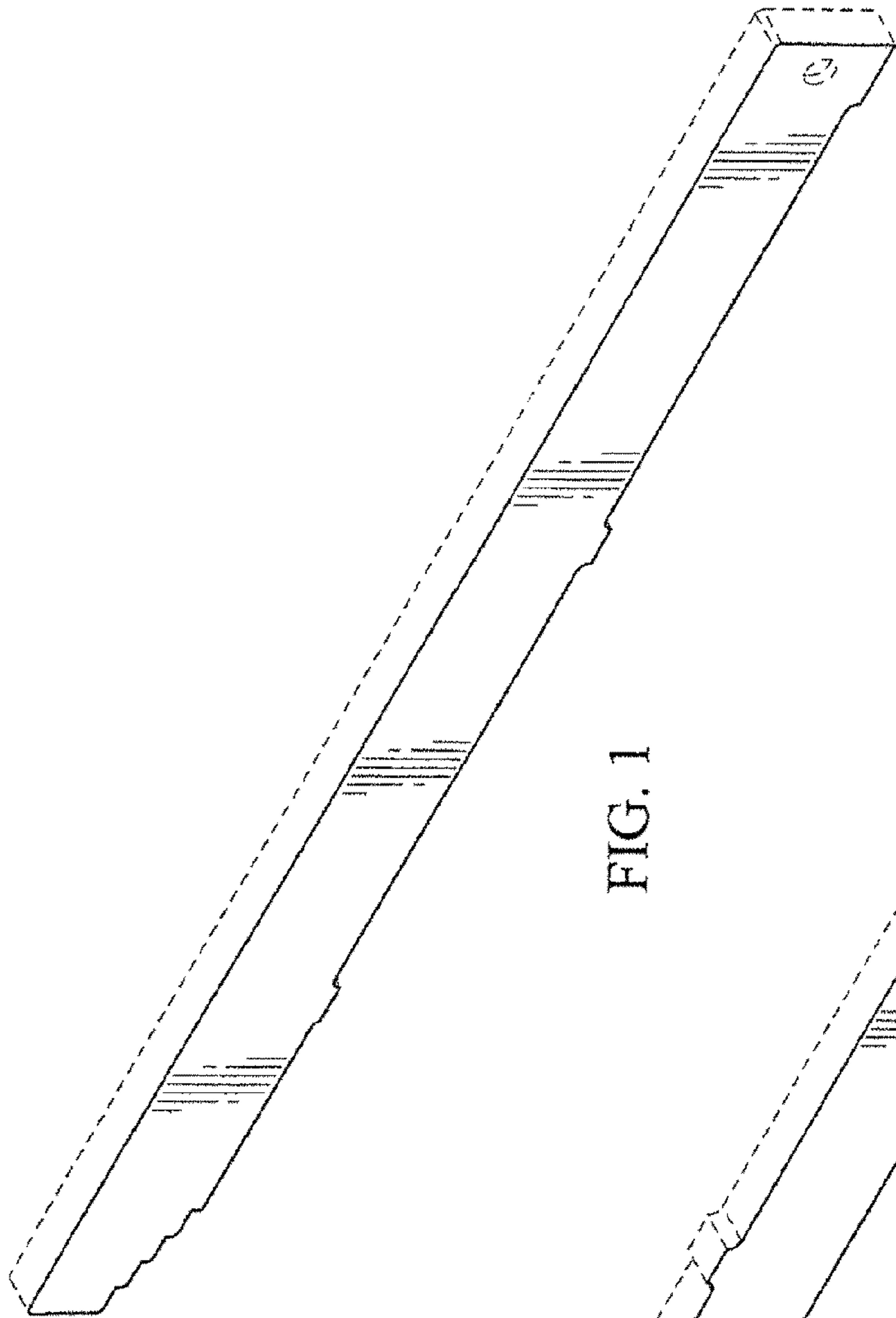


FIG. 1

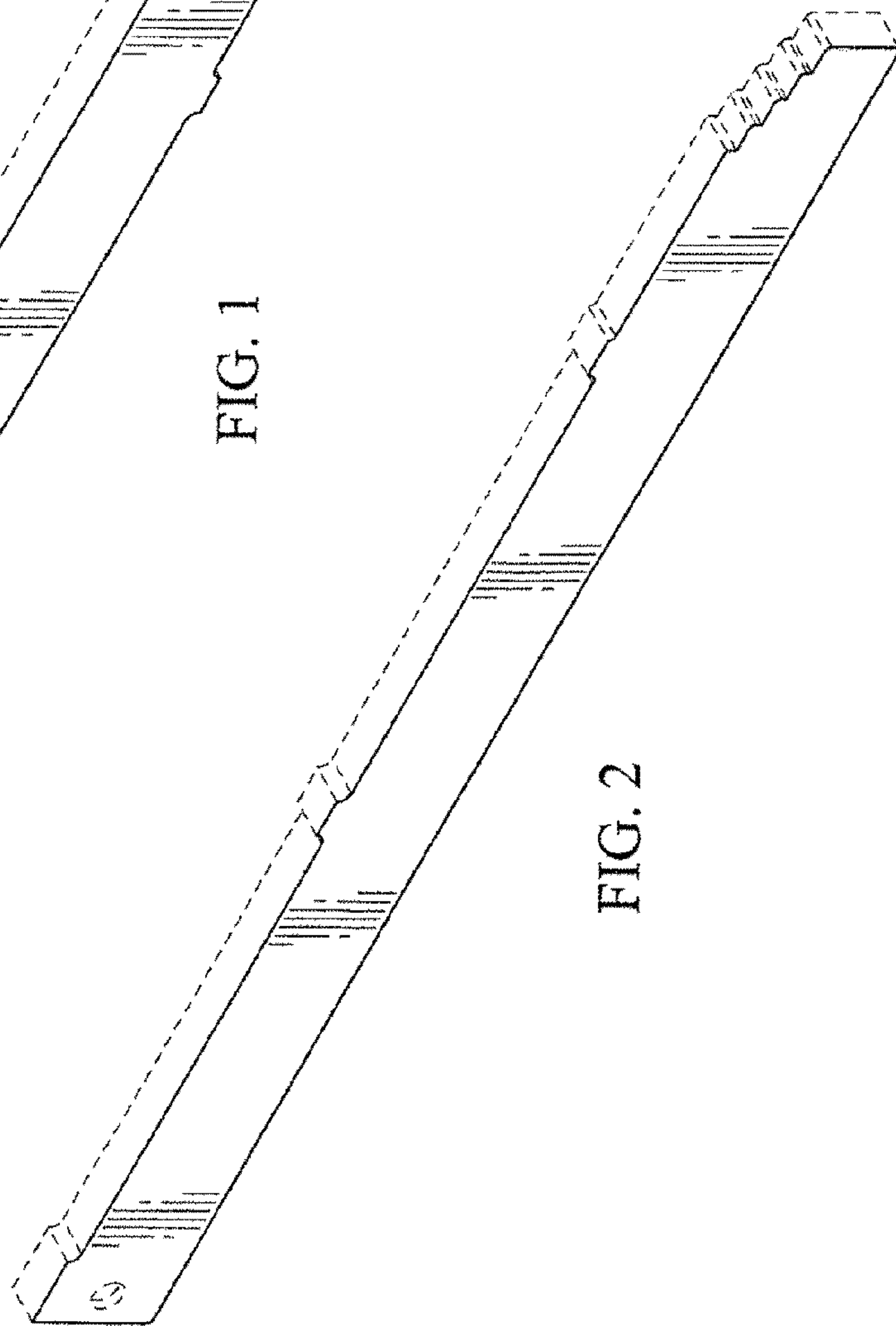


FIG. 2

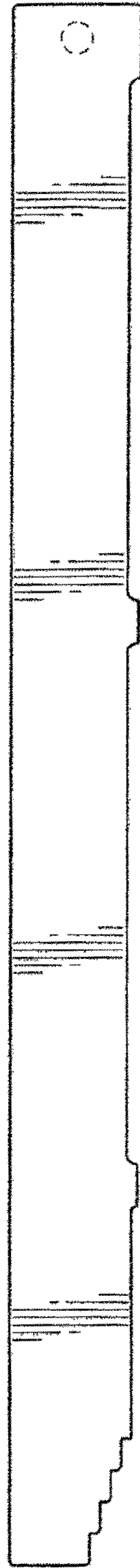


FIG. 3

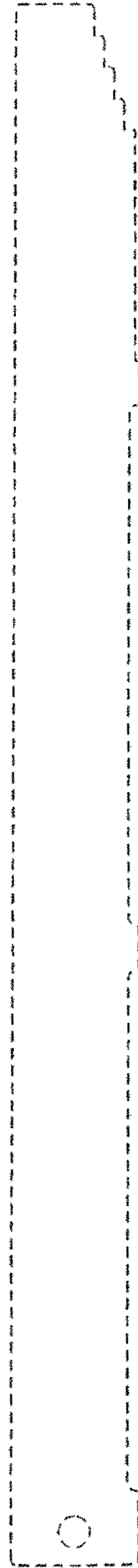


FIG. 4



FIG. 5

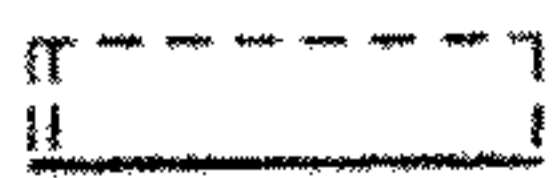


FIG. 6



FIG. 7



FIG. 8