



US00D754006S

(12) **United States Design Patent**
Ho et al.

(10) **Patent No.:** **US D754,006 S**
(45) **Date of Patent:** **** Apr. 19, 2016**

(54) **TEMPERATURE MEASURING DEVICE**

(71) Applicant: **Mingle Metal (Shen Zhen) Co. Limited**, Shenzhen (CN)

(72) Inventors: **Waiming Ho**, Hong Kong (HK); **Ming Lee**, Hong Kong (HK)

(73) Assignee: **Mingle Metal (Shen Zhen) Co. Limited**, Shenzhen, GD (CN)

(**) Term: **14 Years**

(21) Appl. No.: **29/497,112**

(22) Filed: **Jul. 21, 2014**

(51) **LOC (10) Cl.** **10-04**

(52) **U.S. Cl.**
USPC **D10/57**

(58) **Field of Classification Search**
USPC D10/46, 57, 58, 60
CPC G01K 1/083; G01K 1/18; G01K 13/002
See application file for complete search history.

(56) **References Cited**

U.S. PATENT DOCUMENTS

D744,875 S * 12/2015 Repp D10/57

* cited by examiner

Primary Examiner — Antoine D Davis

(74) *Attorney, Agent, or Firm* — Calfee, Halter & Griswold LLP

(57) **CLAIM**

We claim the ornamental design for a temperature measuring device, as shown and described.

DESCRIPTION

FIG. 1 is a front view of a temperature measuring device of the new design;

FIG. 2 is a rear view of the temperature measuring device of FIG. 1;

FIG. 3 is a left side view of the temperature measuring device of FIG. 1;

FIG. 4 is a right side view of the temperature measuring device of FIG. 1;

FIG. 5 is a top view of the temperature measuring device of FIG. 1;

FIG. 6 is a bottom view of the temperature measuring device of FIG. 1;

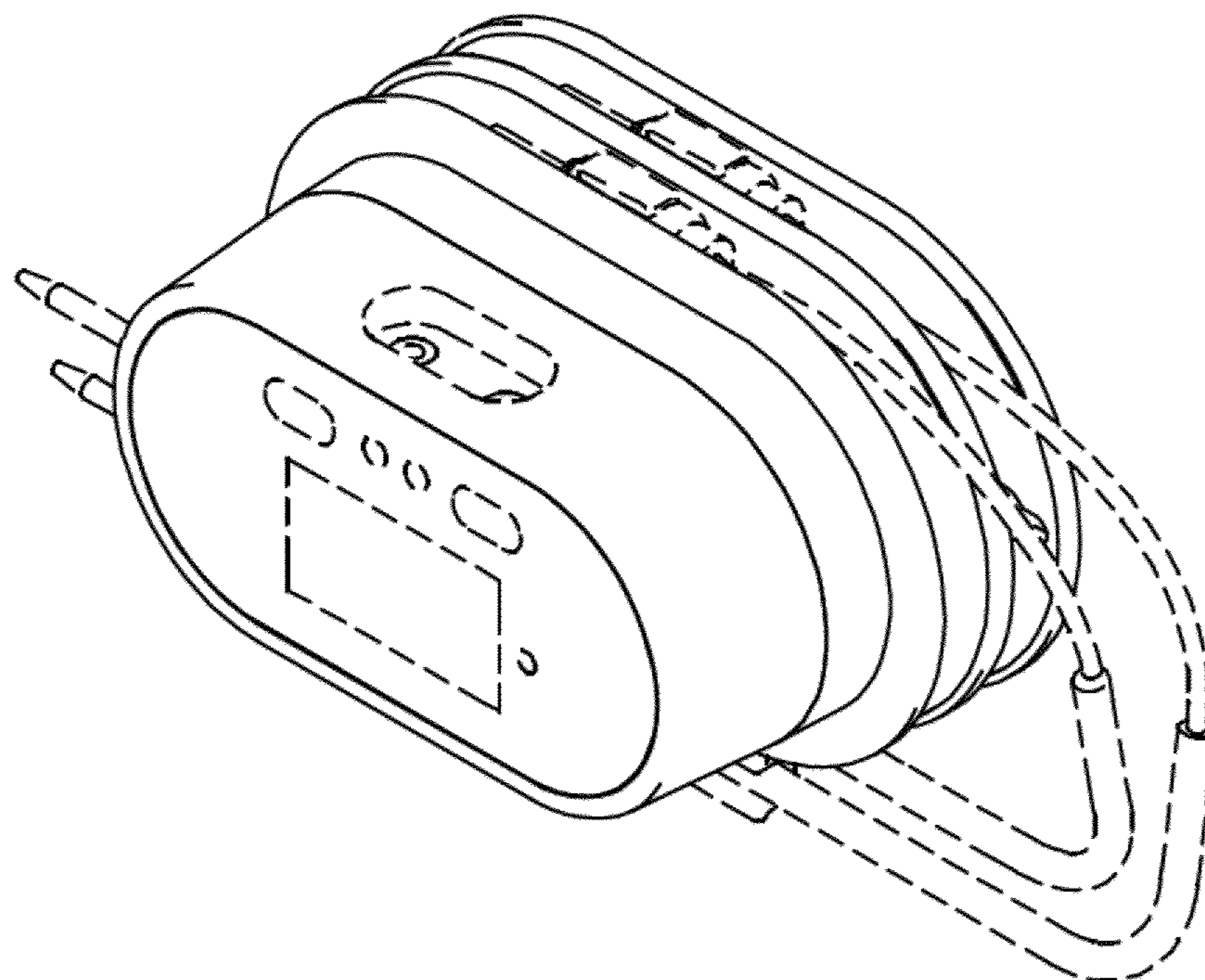
FIG. 7 is a front perspective of the temperature measuring device of FIG. 1;

FIG. 8 is a rear perspective view of the temperature measuring device of FIG. 1;

FIG. 9 is a front perspective view of the temperature measuring device of FIG. 1, wherein a temperature display unit of the temperature measuring device is shown removed from a base with sensor cables of the temperature measuring device; and, FIG. 10 is a rear perspective view of the temperature measuring device of FIG. 1, wherein a temperature display unit of the temperature measuring device is shown removed from a base with sensor cables of the temperature measuring device.

The portions of the Figures shown in broken lines are for illustrative purpose only and form no part of the claimed design.

1 Claim, 7 Drawing Sheets



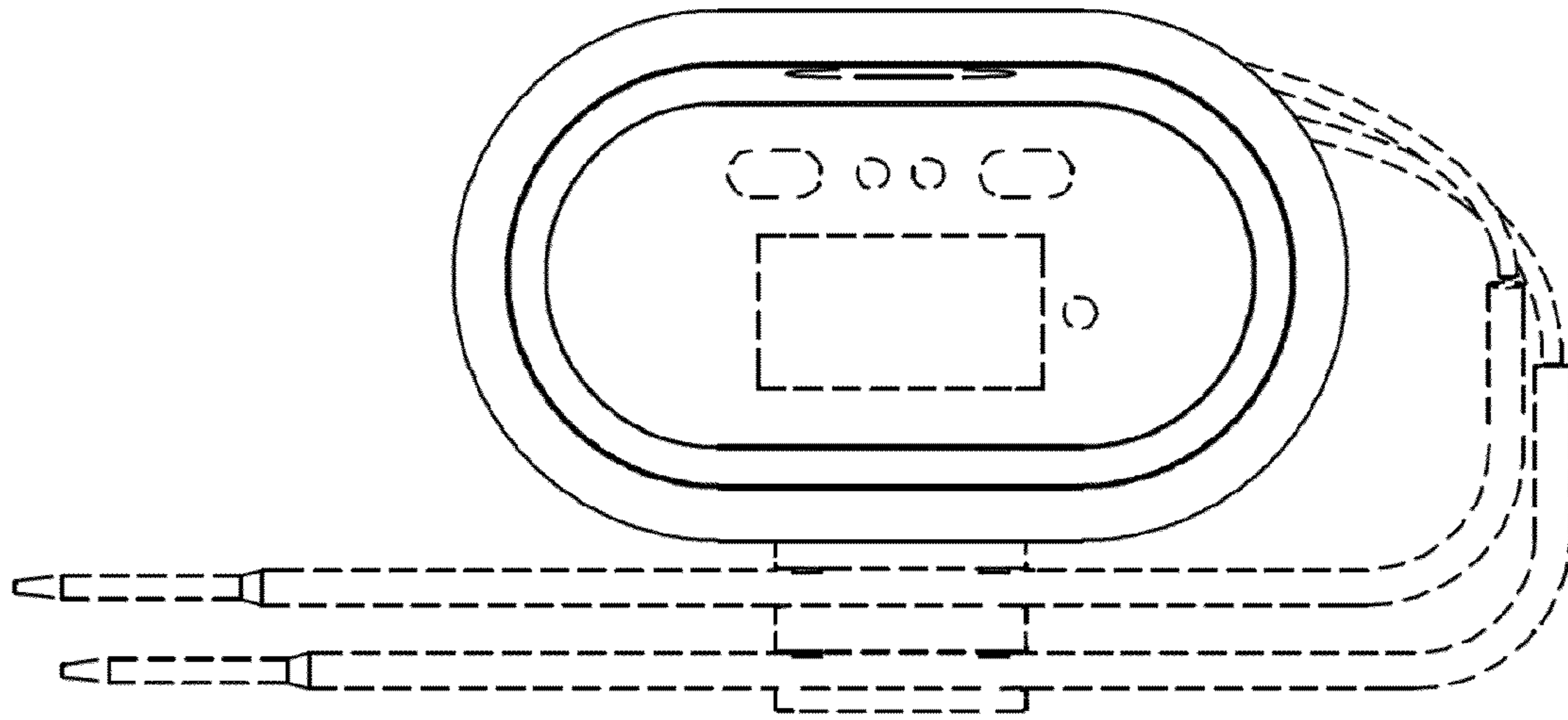


FIG. 1

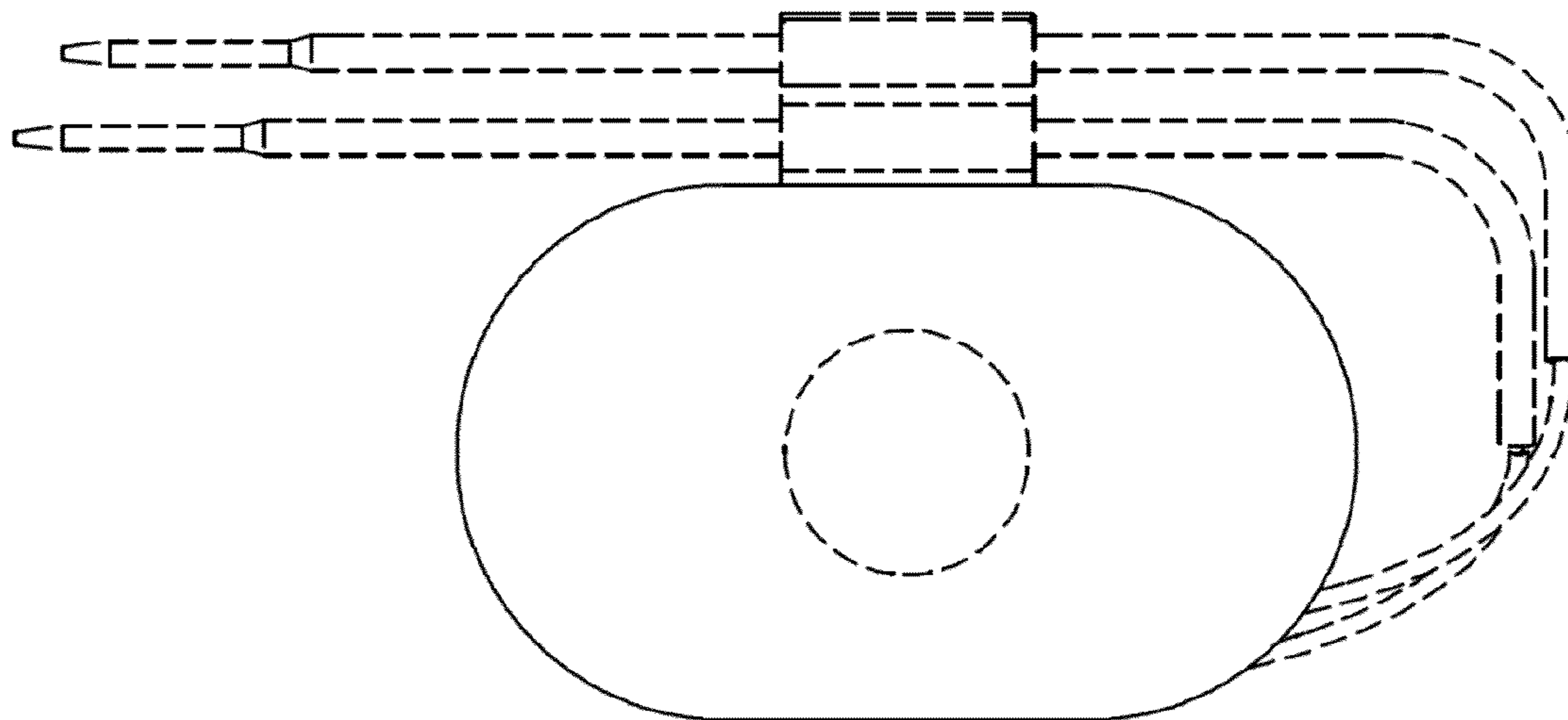


FIG. 2

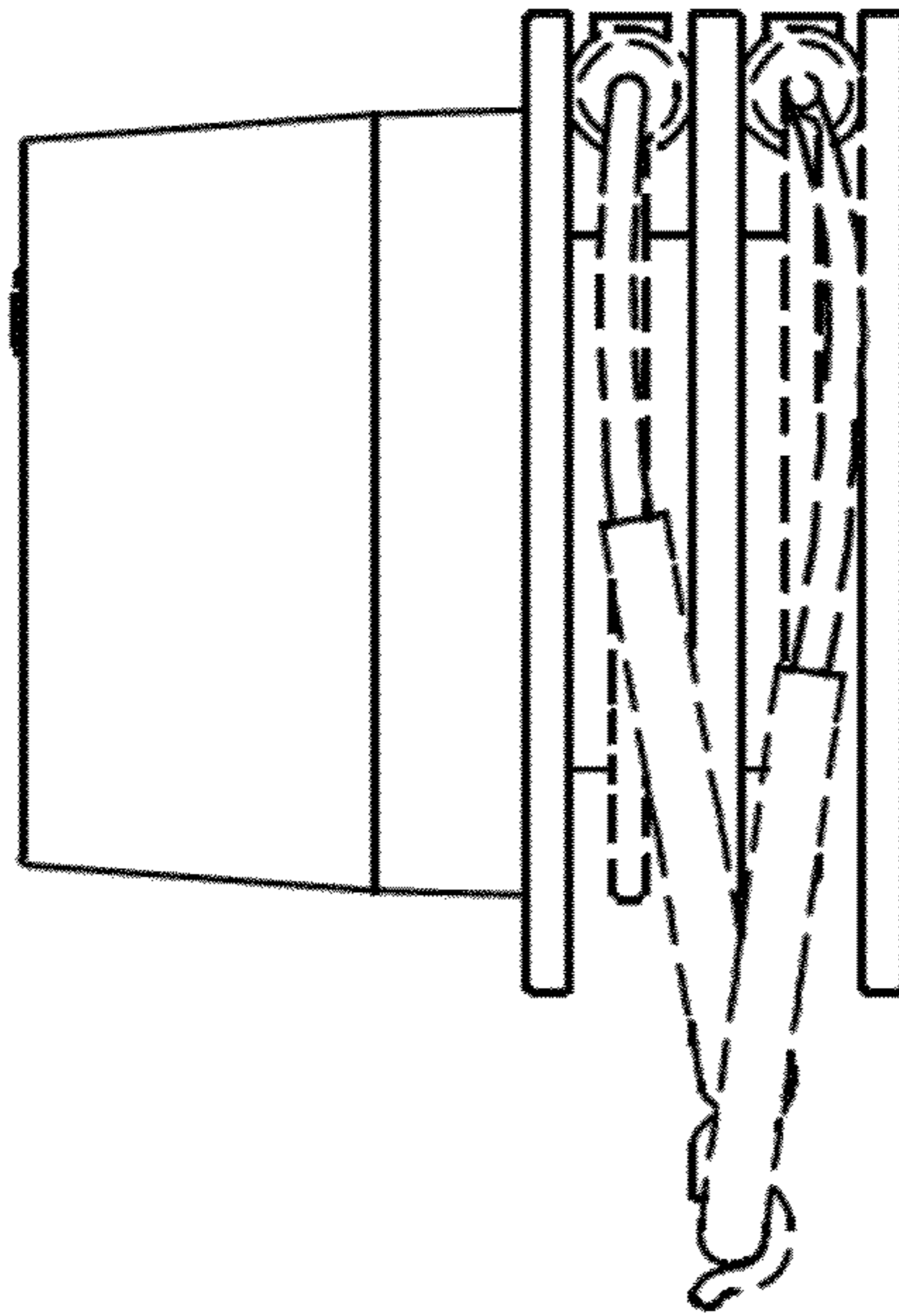


FIG. 3

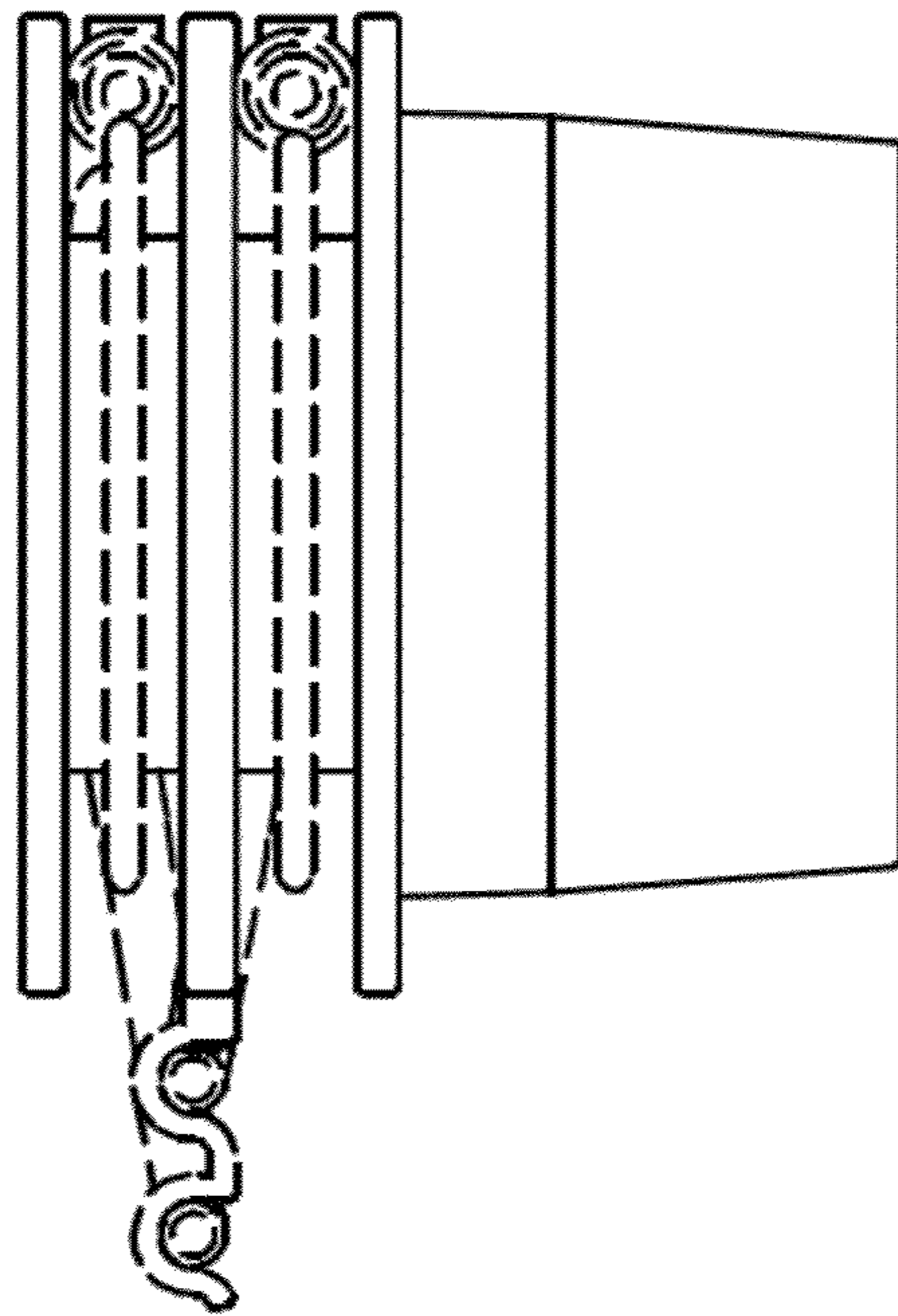


FIG. 4

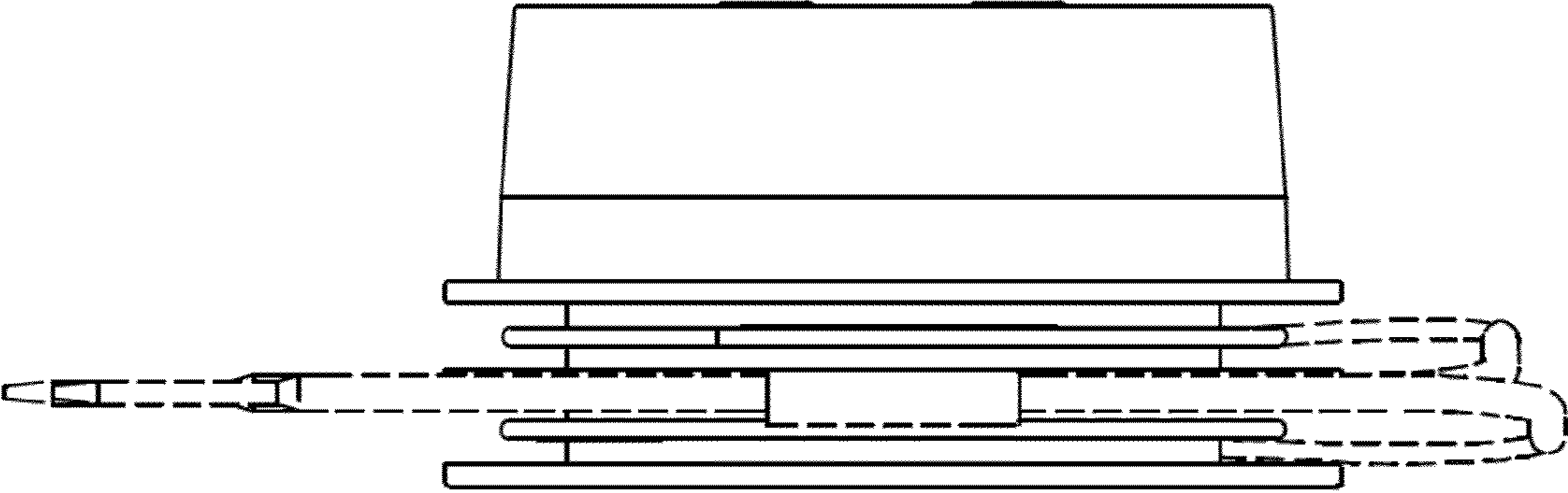


FIG. 5

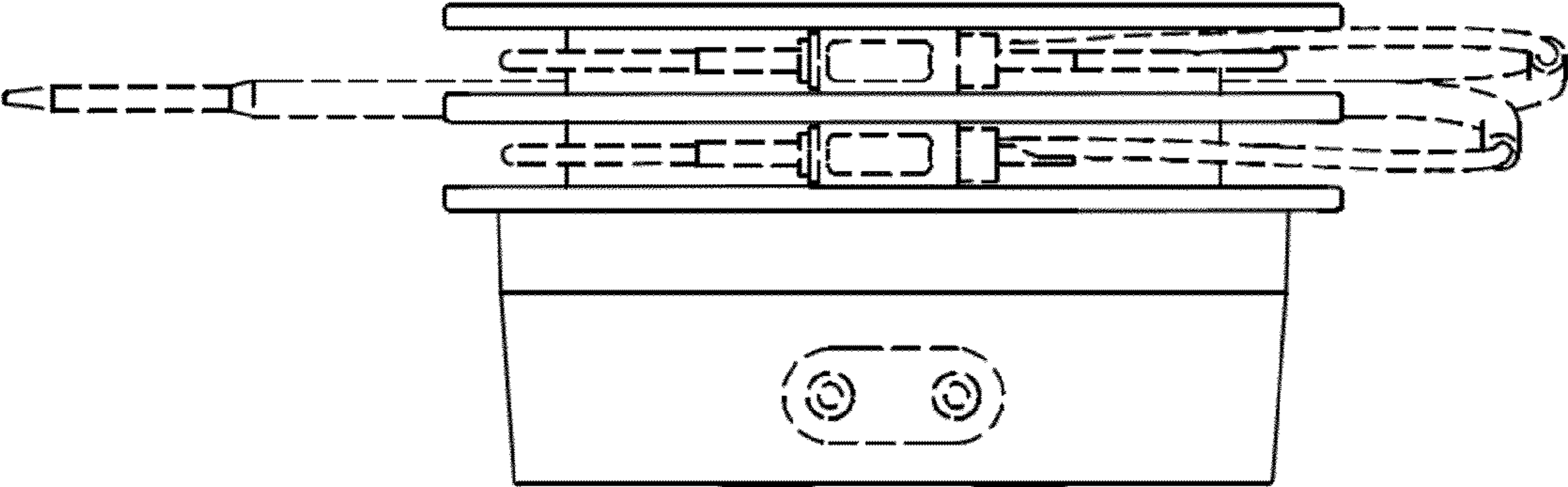


FIG. 6

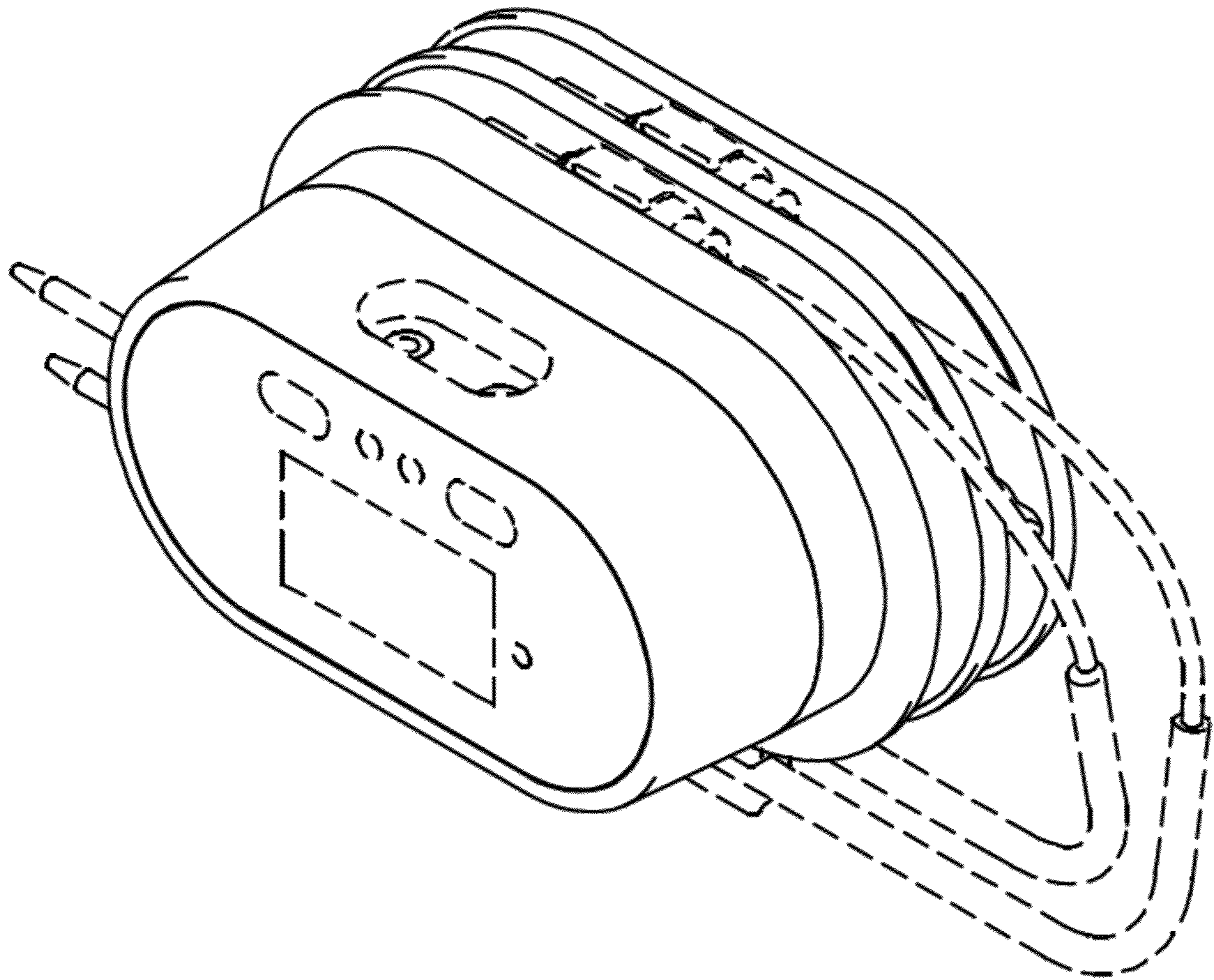


FIG. 7

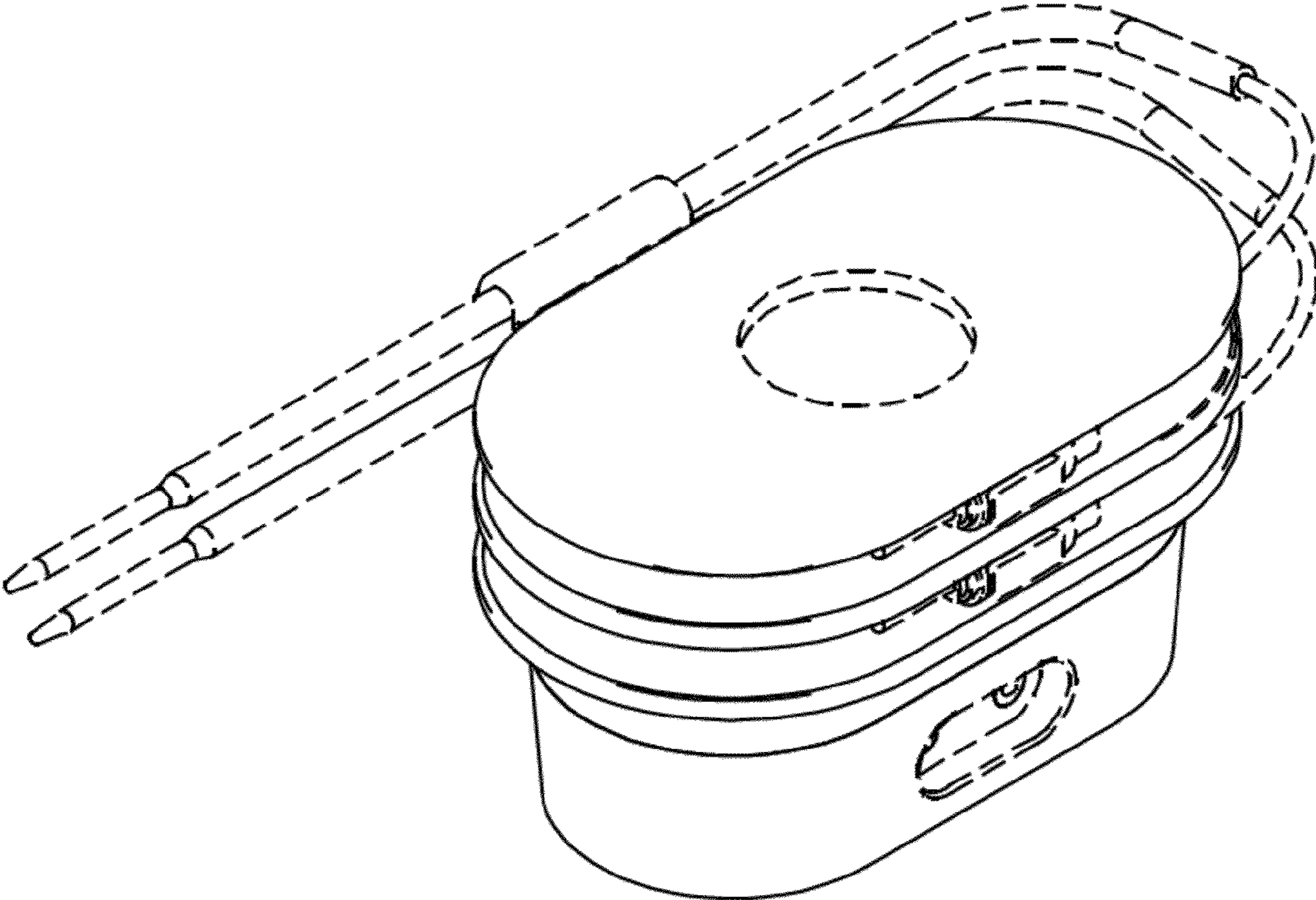


FIG. 8

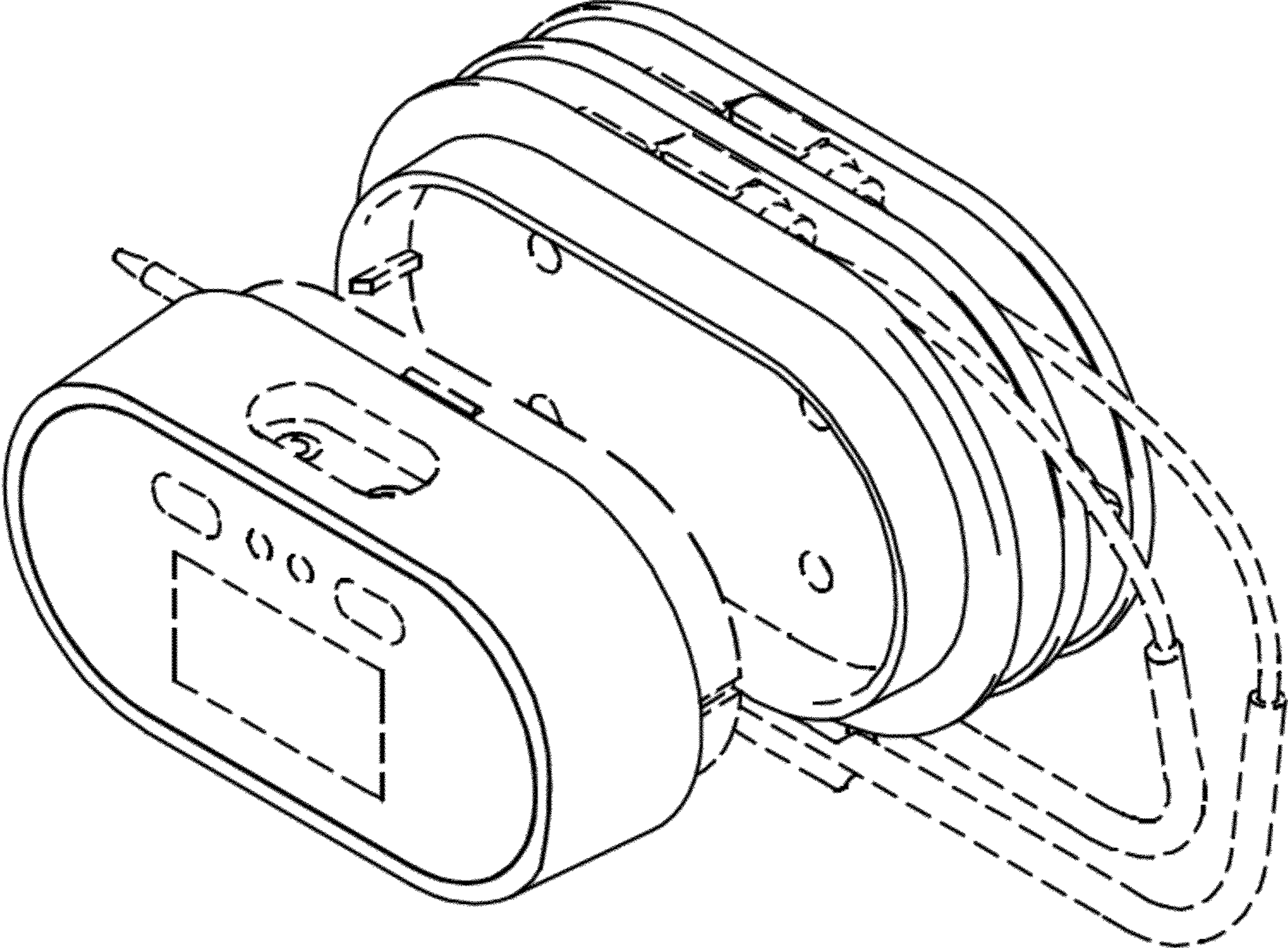


FIG. 9

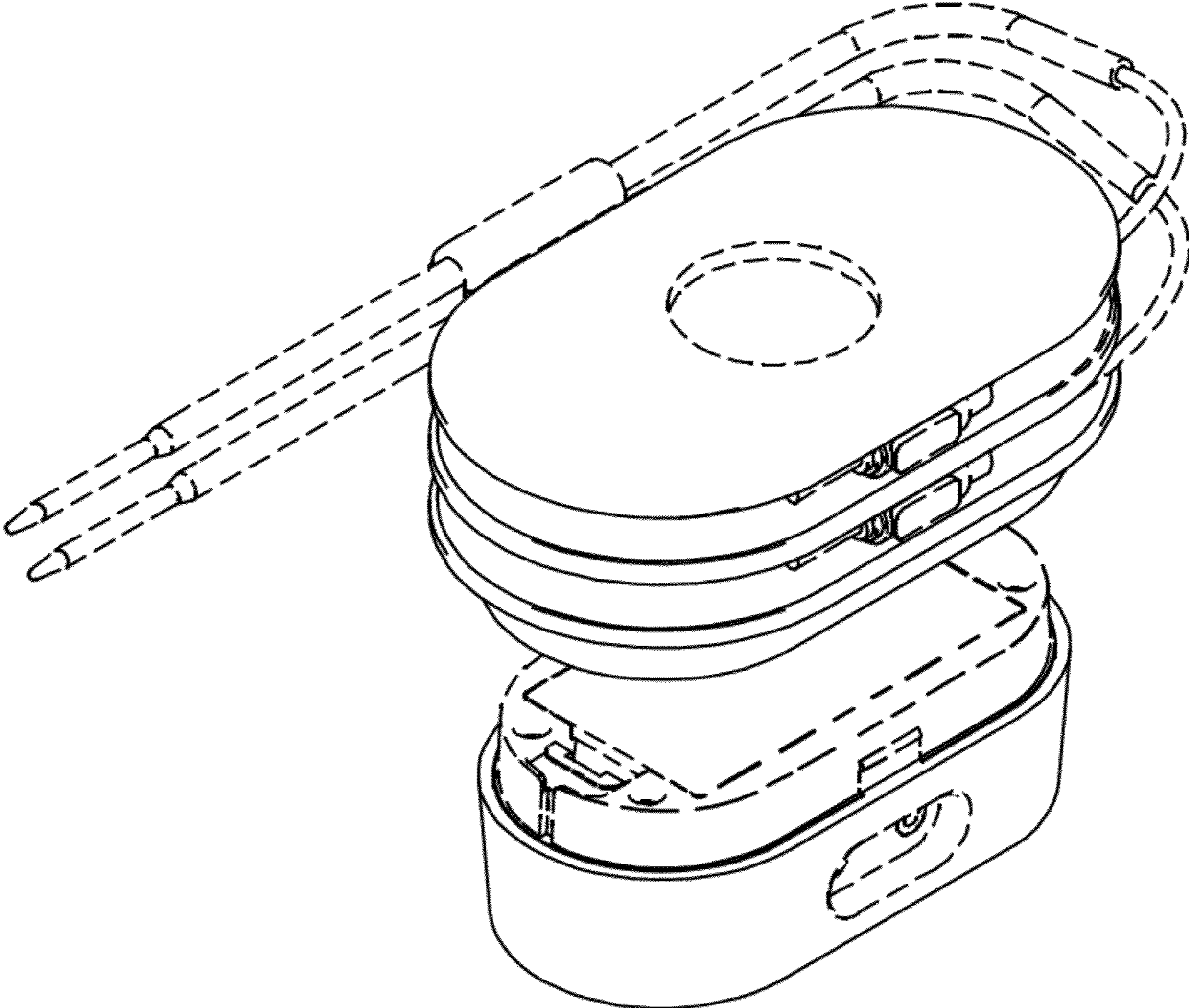


FIG. 10