



US00D754005S

(12) **United States Design Patent**
Frisch

(10) **Patent No.:** **US D754,005 S**
(45) **Date of Patent:** **** Apr. 19, 2016**

(54) **FOOD PACKAGING**

- (71) Applicant: **Beaver Street Fisheries, Inc.**,
Jacksonville, FL (US)
- (72) Inventor: **Mark A. Frisch**, Atlantic Beach, FL
(US)
- (73) Assignee: **Beaver Street Fisheries, Inc.**,
Jacksonville, FL (US)
- (**) Term: **14 Years**
- (21) Appl. No.: **29/492,633**
- (22) Filed: **Jun. 2, 2014**
- (51) **LOC (10) Cl.** **09-03**
- (52) **U.S. Cl.**
USPC **D9/721**
- (58) **Field of Classification Search**
USPC D9/414, 416, 418, 424, 425, 428, 430,
D9/432, 433, 715, 720, 721, 722; D7/305,
D7/538, 542, 586, 601, 602; 206/45.21,
206/45.25, 45.29, 216, 217, 526, 540, 575,
206/576, 778, 779; 426/106, 108, 119, 129;
229/100, 120.02, 120.29, 126, 129.1,
229/132, 138, 141, 155, 162.1, 162.5, 185.1
CPC B65D 5/4204; B65D 5/0227; B65D 5/10;
B65D 2571/0066; B65D 77/24; B65D 5/524;
B65D 2571/00141; B65D 5/42; B65D 77/02;
B65D 77/003; B65D 81/36; B65D 1/36;
B65D 5/02; B65D 2543/00194; B65D 25/54;
B65D 5/2033; B65D 5/48034; B65D 75/322;
B65D 75/522; B65D 81/113; B65D 71/16;
B65D 2571/0029; B65D 5/48; B65D 5/48048;
B65D 5/503; B65D 5/48028; Y10T 428/1324;
Y10T 428/1303

See application file for complete search history.

(56) **References Cited**

U.S. PATENT DOCUMENTS

1,822,512	A *	9/1931	Tanner	B65D 5/2057 206/268
1,875,196	A *	8/1932	Molins	B65D 85/1063 206/273
1,970,636	A *	8/1934	Tanner	B65D 5/2057 206/268
2,146,984	A *	2/1939	Powell	B65D 5/2042 206/465
D118,305	S *	12/1939	Garson	D9/715
2,860,824	A *	11/1958	Reynolds	B65D 71/12 229/103.2
3,077,978	A *	2/1963	Krzyzanowski	B65D 75/02 206/362.4
3,676,159	A *	7/1972	Fallowfield	B65D 1/36 206/205
D556,600	S *	12/2007	Galantai	D9/722
D638,307	S *	5/2011	Rossi	D9/721
D735,055	S *	7/2015	Fisher	D9/722
2008/0175961	A1 *	7/2008	Whittles	A23B 9/00 426/115
2013/0334293	A1 *	12/2013	Coatney	A24F 15/18 229/120.02

* cited by examiner

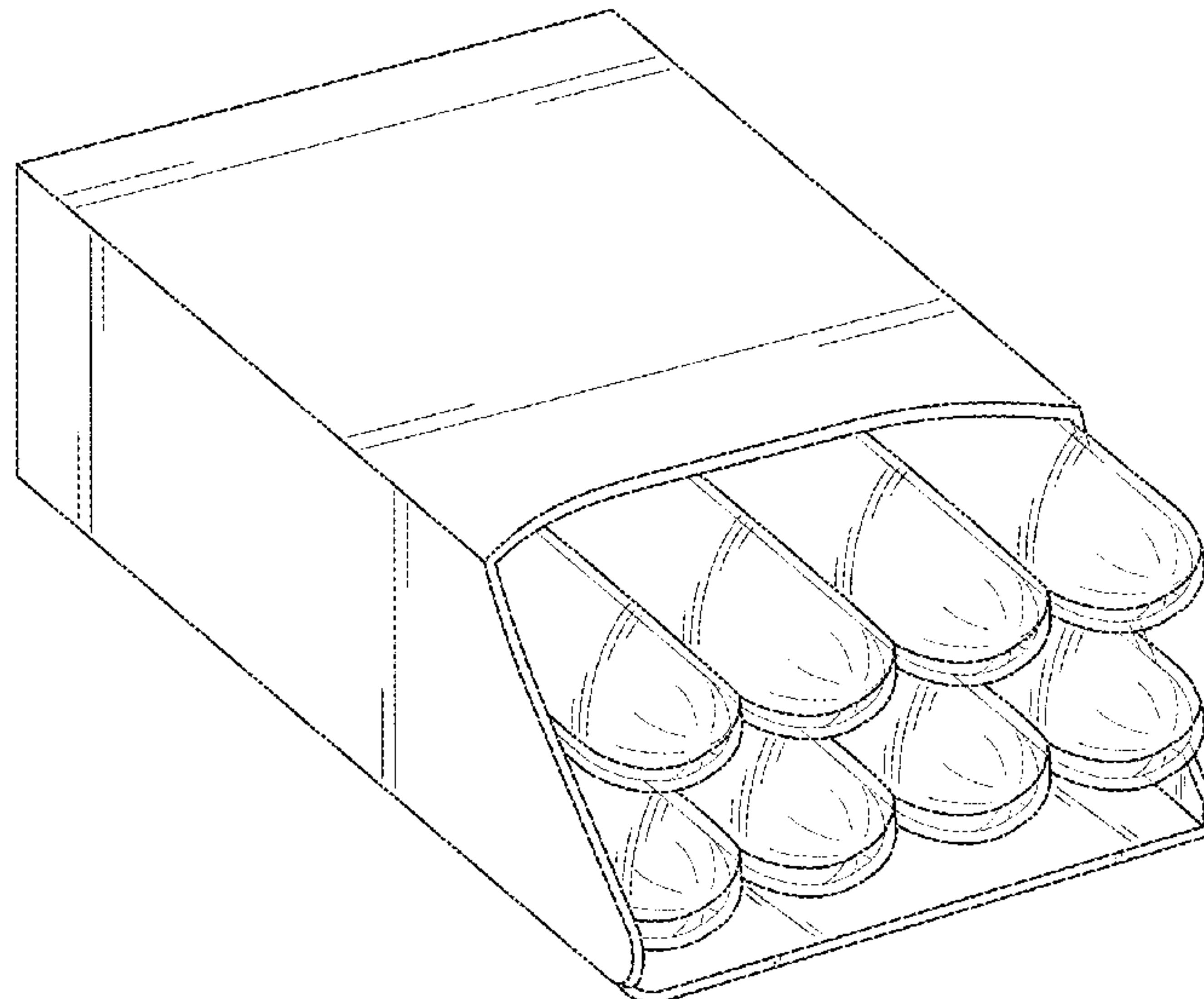
Primary Examiner — Derrick Holland
Assistant Examiner — Lauren Calve
(74) *Attorney, Agent, or Firm* — Sughrue Mion, PLLC

(57) **CLAIM**
The ornamental design for a food packaging, as shown and described.

DESCRIPTION

FIG. 1 is a perspective view of a food packaging according to my design;
FIG. 2 is a front view thereof;
FIG. 3 is a rear view thereof;
FIG. 4 is a left side view thereof;
FIG. 5 is a right side view thereof; and,
FIG. 6 is a top view thereof.

1 Claim, 5 Drawing Sheets



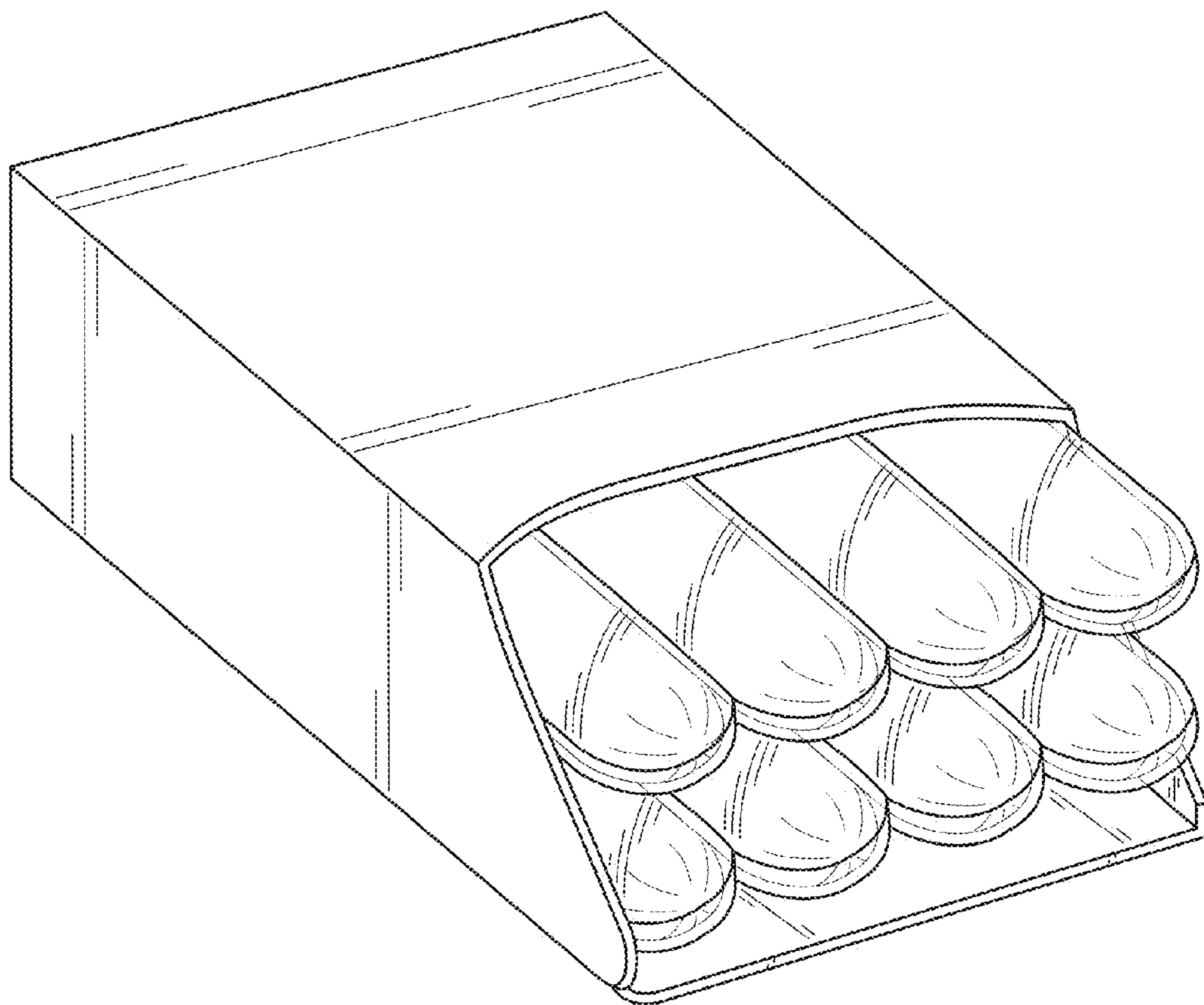


FIG. 1

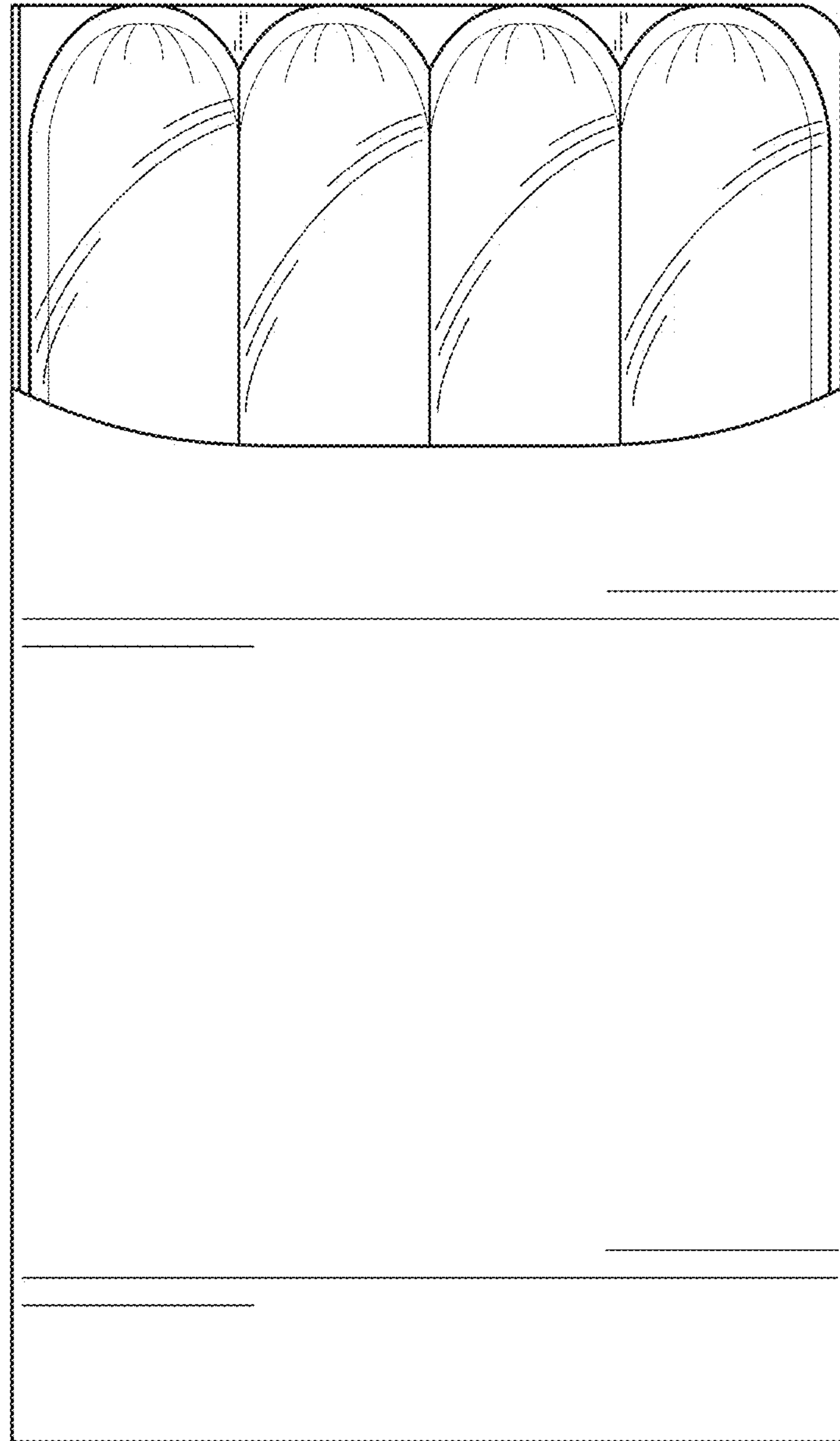


FIG. 2

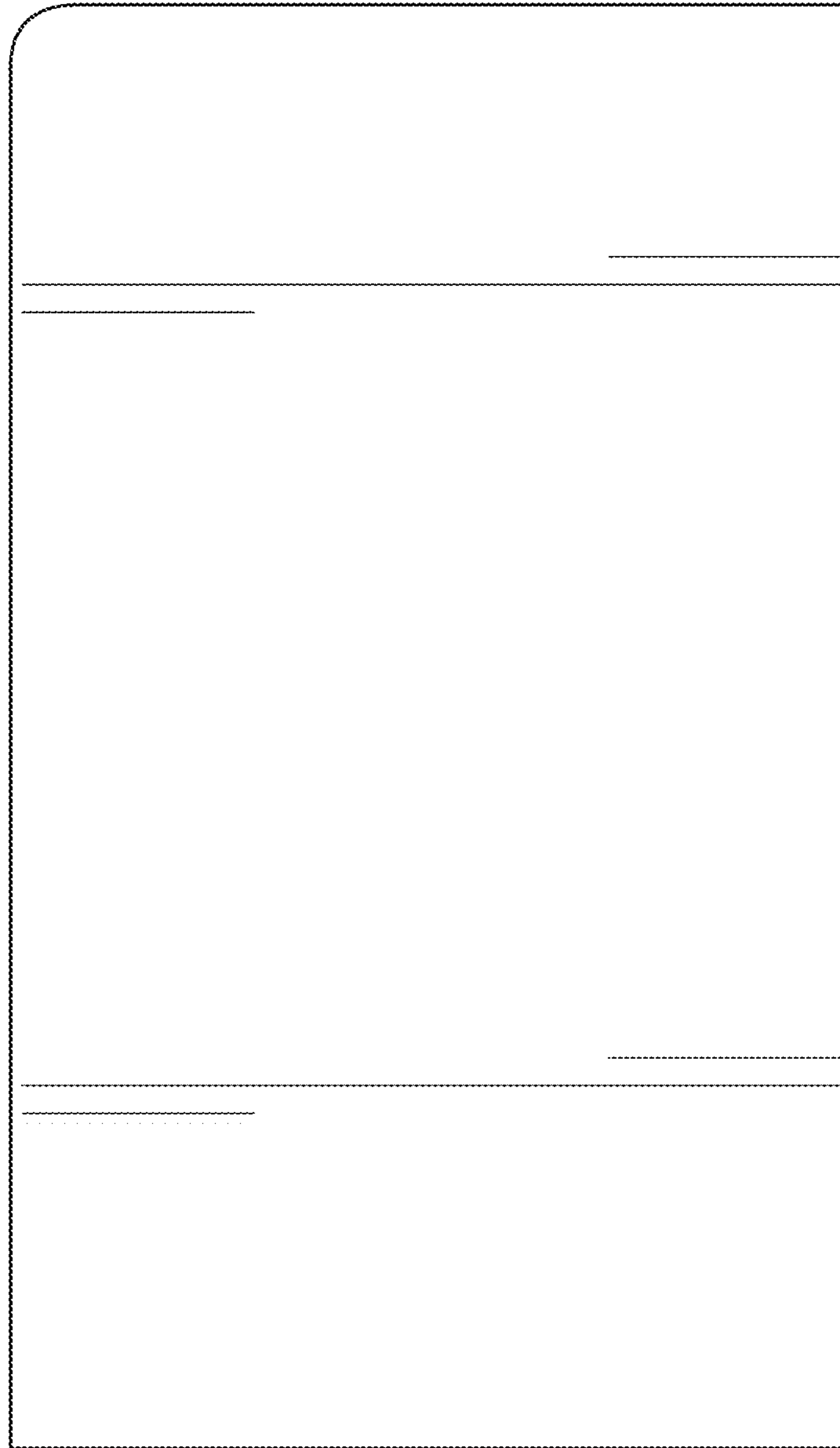


FIG. 3

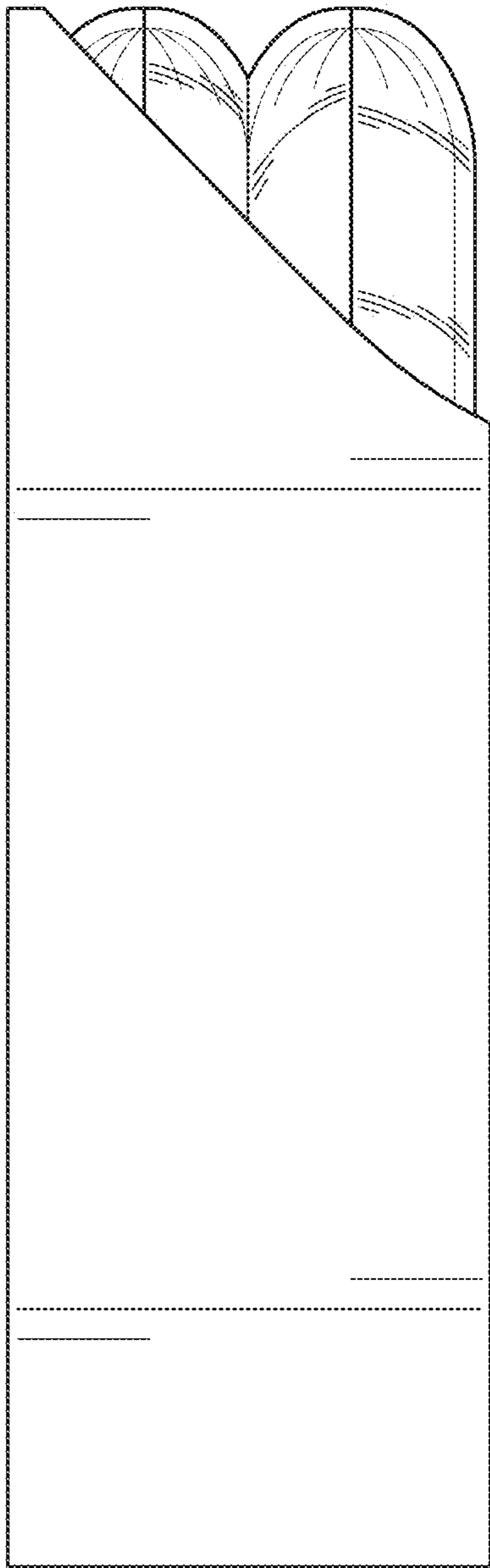


FIG. 4

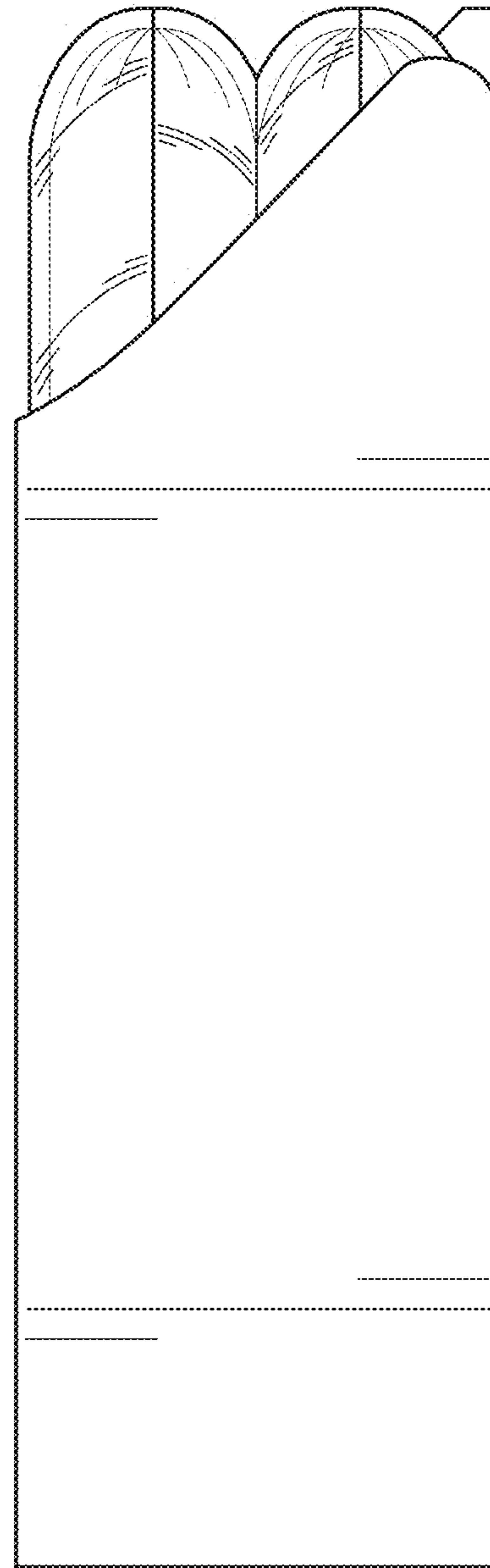


FIG. 5

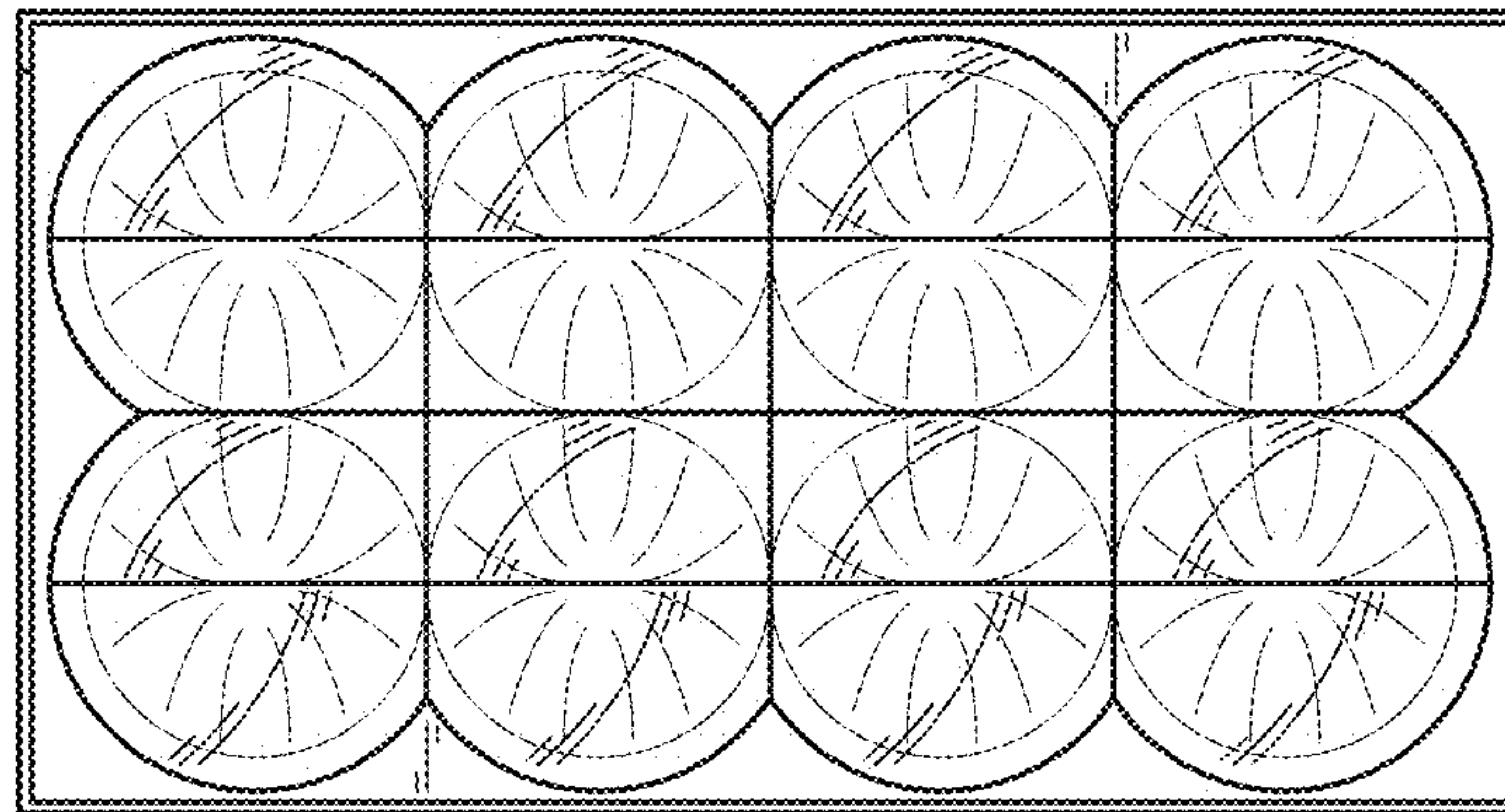


FIG. 6