



US00D754002S

(12) **United States Design Patent**  
**Knight et al.**

(10) **Patent No.:** **US D754,002 S**  
(45) **Date of Patent:** **\*\* \*Apr. 19, 2016**

- (54) **BOTTLE**
- (71) Applicant: **DR PEPPER/SEVEN UP, INC.**, Plano, TX (US)
- (72) Inventors: **Brandon Knight**, Allen, TX (US); **Patrick George**, Plano, TX (US); **Paul E. Skelton**, Kansas City, MO (US); **David A. Brunson**, Lee's Summit, MO (US); **John Anthony Naoum Jirgi**, Frisco, TX (US)
- (73) Assignee: **DR PEPPER/SEVEN UP, INC.**, Plano, TX (US)
- (\*) Notice: This patent is subject to a terminal disclaimer.
- (\*\*) Term: **14 Years**

- (21) Appl. No.: **29/455,556**
- (22) Filed: **May 22, 2013**
- (51) **LOC (10) Cl.** ..... **09-01**
- (52) **U.S. Cl.**  
USPC ..... **D9/538; D9/550; D9/551; D9/571**
- (58) **Field of Classification Search**  
USPC ..... **D9/516, 520, 537-541, 549-551, 554, D9/558, 564, 571, 574-575; 215/381-385; 220/660, 669, 675**  
See application file for complete search history.

(56) **References Cited**

U.S. PATENT DOCUMENTS

D267,233	S	*	12/1982	Aoki	.....	D9/556	X
4,749,092	A	*	6/1988	Sugiura et al.	.....	215/383	X
D380,671	S	*	7/1997	Young	.....	D9/538	
D383,677	S	*	9/1997	Darr	.....	D9/538	X
5,735,421	A	*	4/1998	Deemer et al.	.....	215/382	
5,740,934	A	*	4/1998	Brady	.....	215/381	
D409,919	S	*	5/1999	Young	.....	D9/538	X
D423,939	S	*	5/2000	Ogg	.....	D9/537	
D471,112	S	*	3/2003	Davis et al.	.....	D9/551	

6,662,960	B2	*	12/2003	Hong et al.	.....	220/669	X
D513,594	S	*	1/2006	Venkataraman et al.	..	D9/571	X
D538,168	S	*	3/2007	Davis et al.	.....	D9/538	
D561,595	S	*	2/2008	Le Bras-Brown et al.	..	D9/550	X
D567,663	S	*	4/2008	Kinmont et al.	.....	D9/550	
D572,140	S	*	7/2008	Davis et al.	.....	D9/551	
D576,885	S	*	9/2008	Briozzo Fernandez et al.	.....	D9/558	X
D582,287	S	*	12/2008	Lovelace et al.	.....	D9/558	X
D582,288	S	*	12/2008	Lovelace et al.	.....	D9/538	
D584,626	S	*	1/2009	Kruparova	.....	D9/552	X
D601,901	S	*	10/2009	Lepoitevin	.....	D9/538	
D601,903	S	*	10/2009	Lepoitevin	.....	D9/538	
D602,367	S	*	10/2009	Lepoitevin	.....	D9/538	
D643,723	S	*	8/2011	Snyder et al.	.....	D9/516	
D652,726	S	*	1/2012	Snyder et al.	.....	D9/539	X
D663,214	S		7/2012	George et al.			
D668,958	S		10/2012	George et al.			
D718,635	S	*	12/2014	Fleischhacker et al.	.....	D9/539	
D734,671	S	*	7/2015	Herbst	.....	D9/551	X

\* cited by examiner

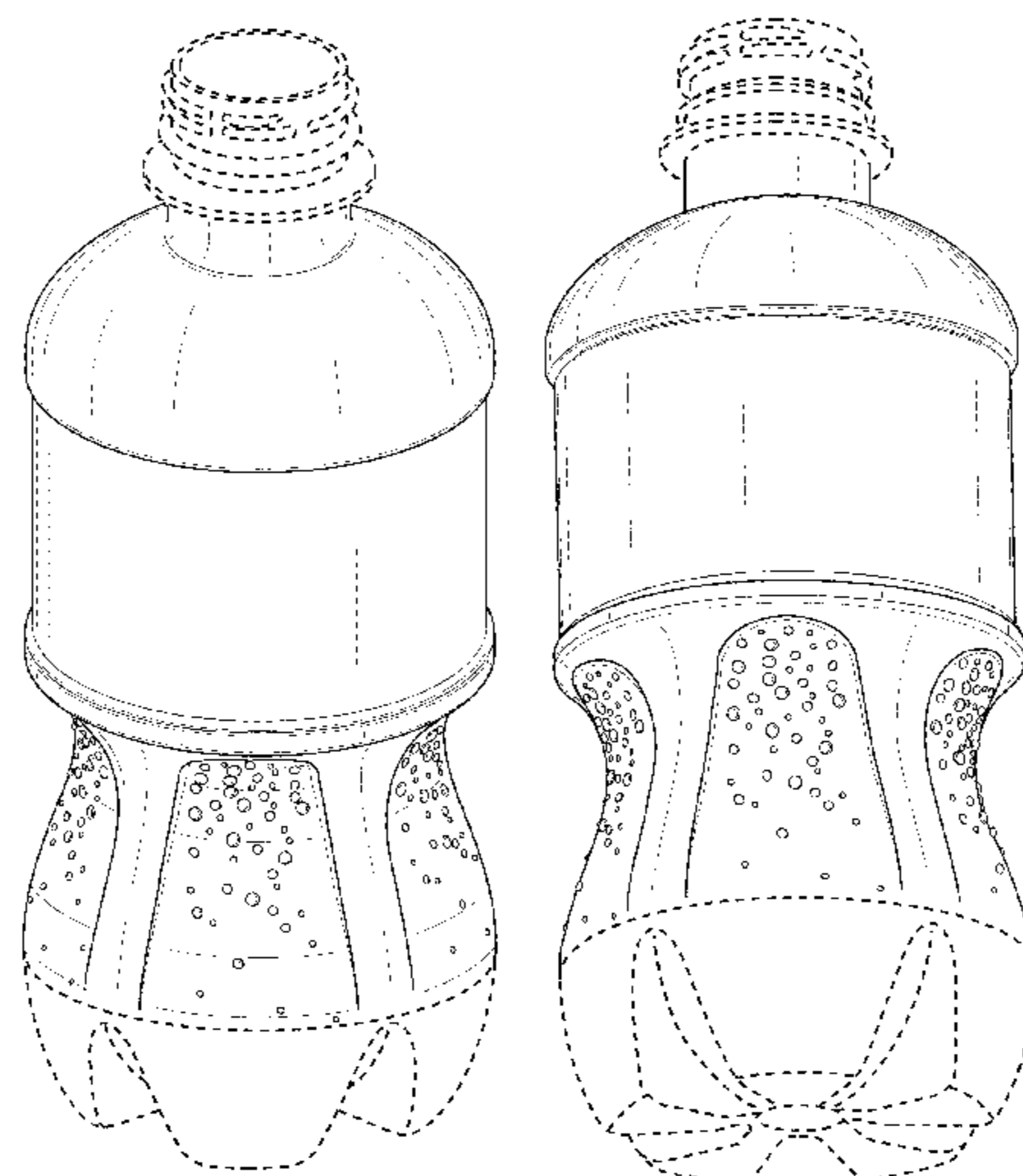
*Primary Examiner* — Carol P Rademaker  
(74) *Attorney, Agent, or Firm* — Dykema Gossett P.L.L.C.

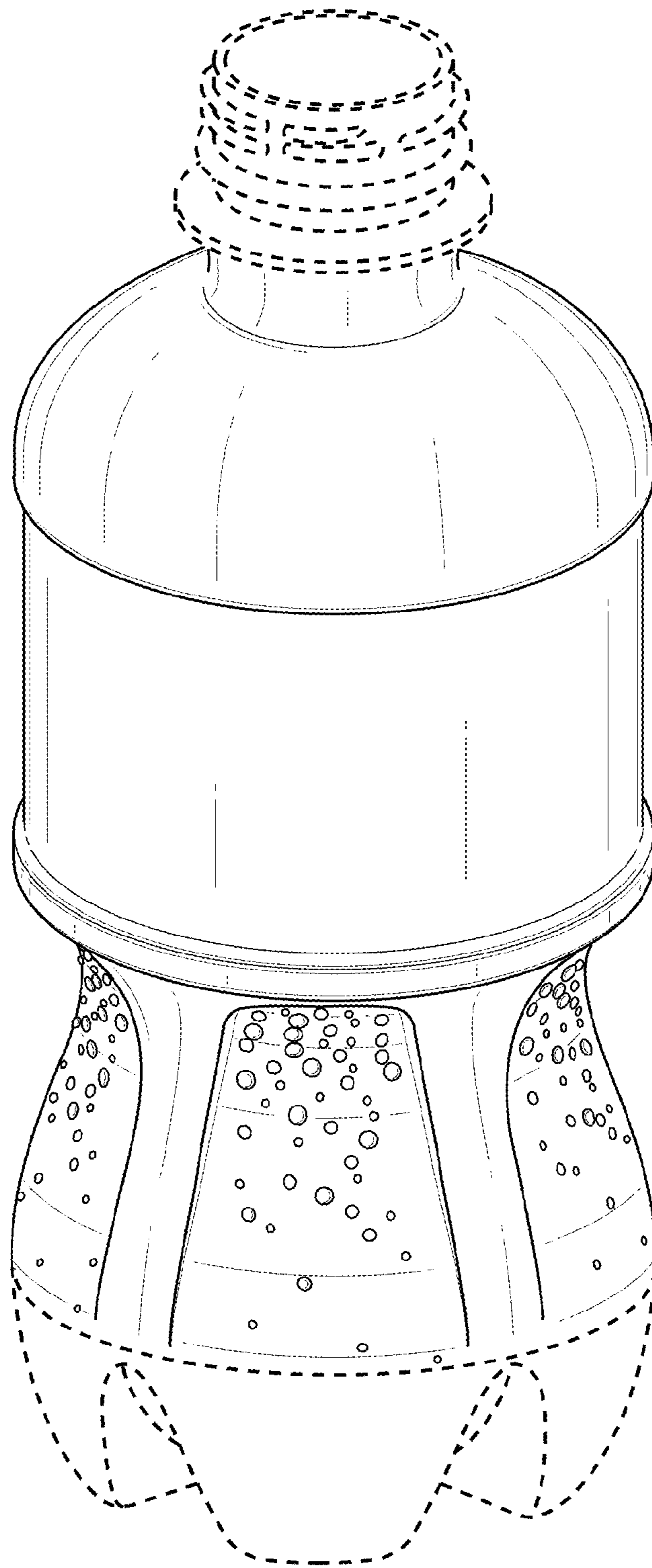
(57) **CLAIM**  
We claim the ornamental design for a bottle, as shown and described.

**DESCRIPTION**

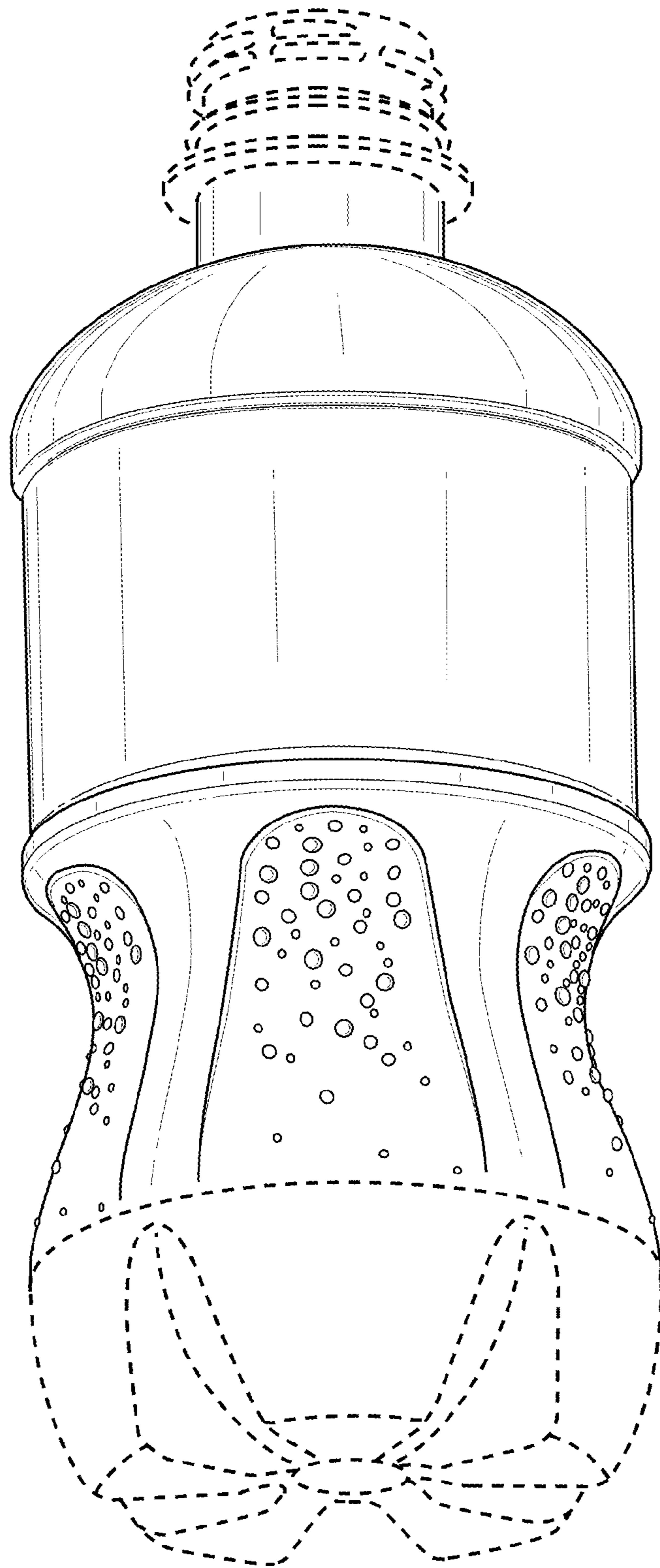
FIG. 1 is a top, front perspective view of a bottle of the new design;  
FIG. 2 is a bottom, front perspective view thereof;  
FIG. 3 is a front elevational view thereof;  
FIG. 4 is a rear elevational view thereof;  
FIG. 5 is a left side elevational view thereof;  
FIG. 6 is a right side elevational view thereof;  
FIG. 7 is a top plan view thereof;  
FIG. 8 is a bottom plan view thereof; and,  
FIG. 9 is a detail of a portion of the claimed design taken from FIG. 3, shown at an enlarged scale.  
The broken lines shown in the drawings illustrate a portion of the bottle which forms no part of the claimed design.

**1 Claim, 8 Drawing Sheets**

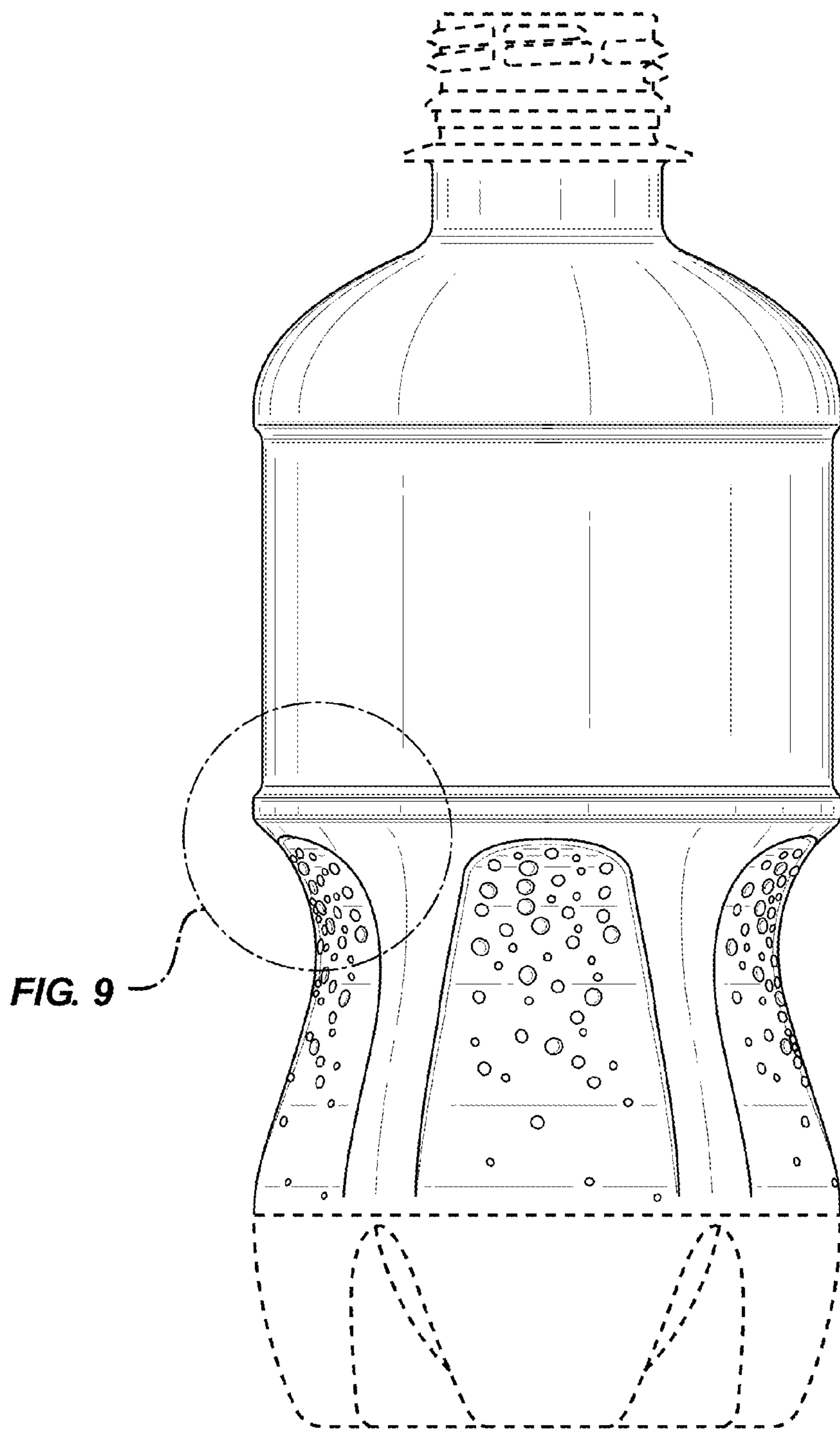




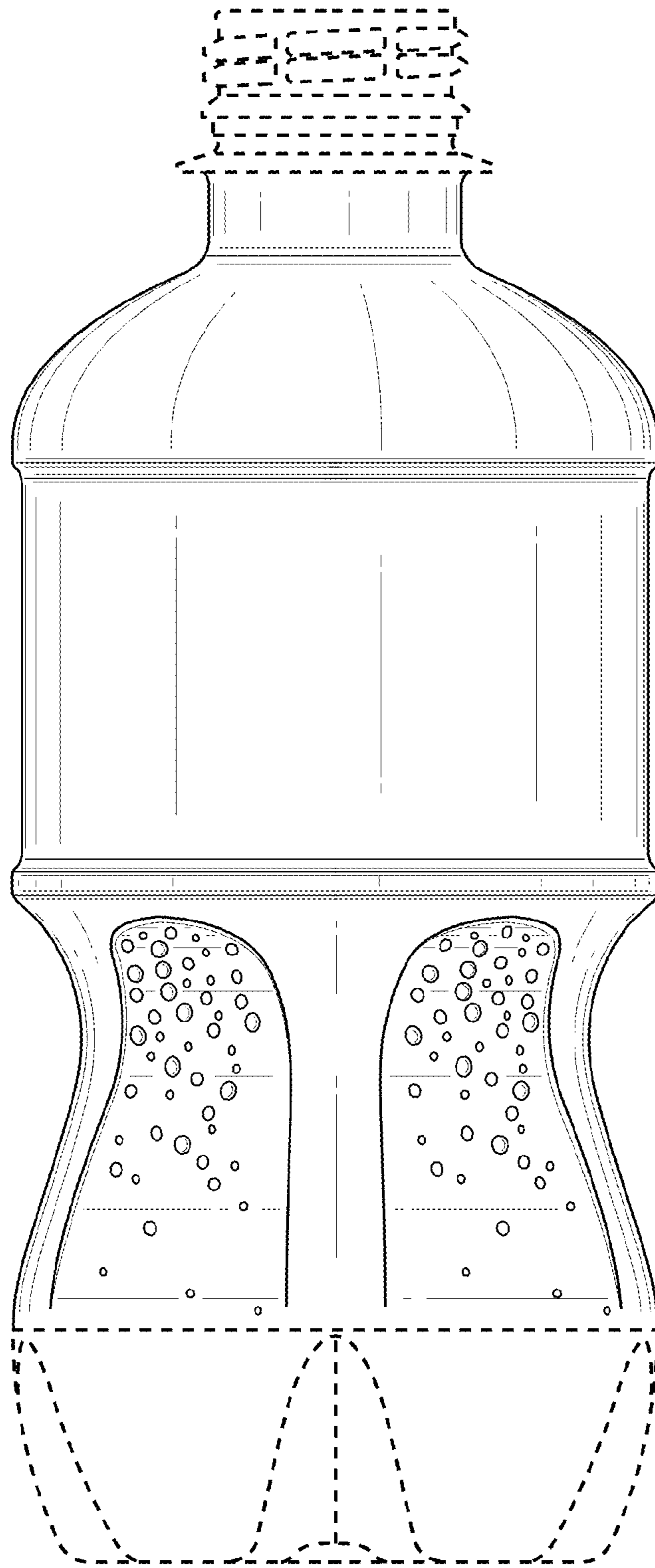
**FIG. 1**



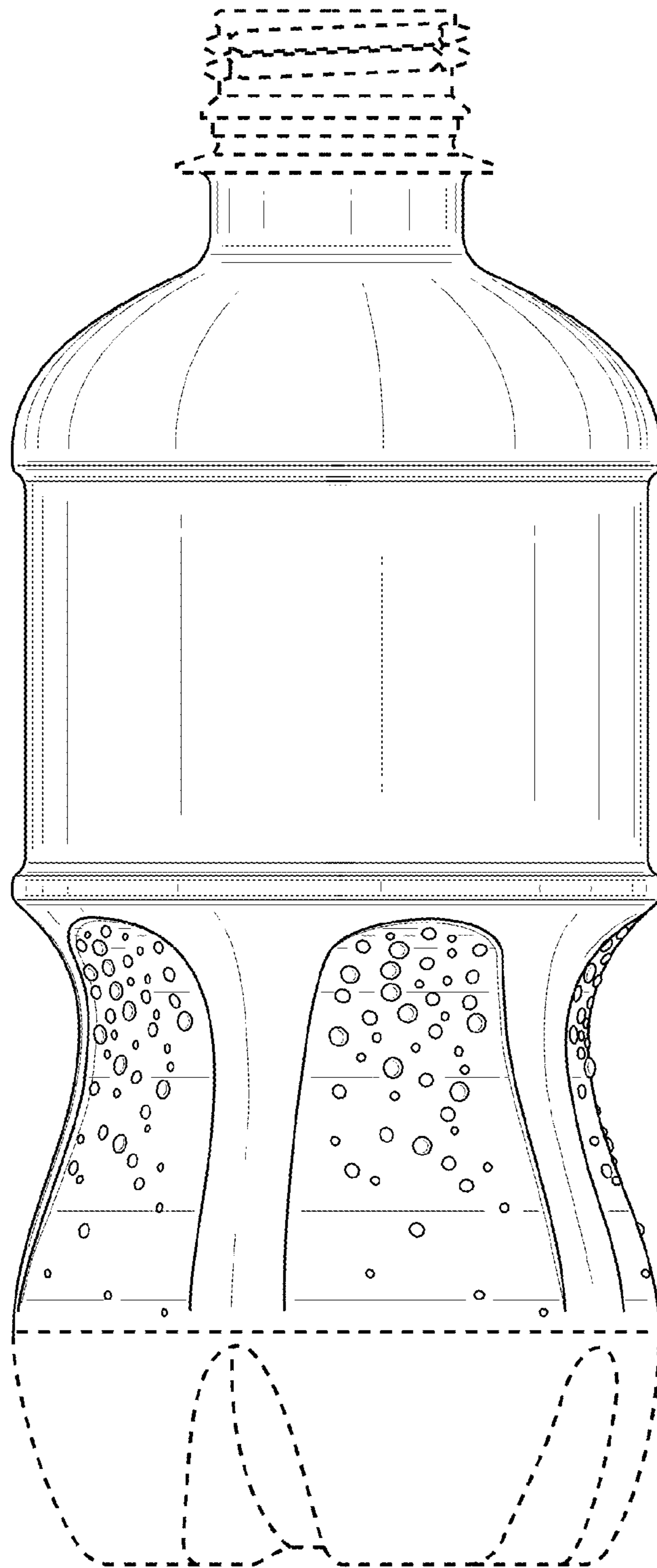
**FIG. 2**



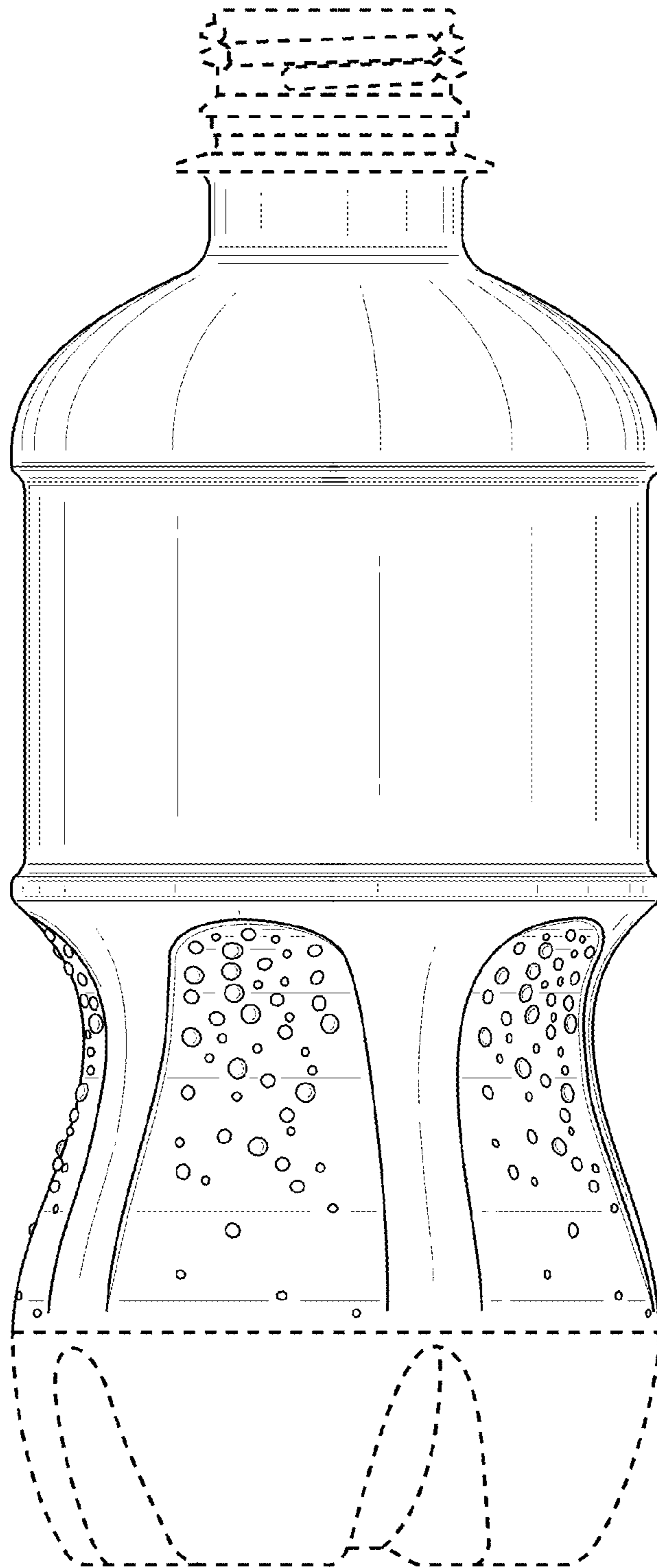
**FIG. 3**



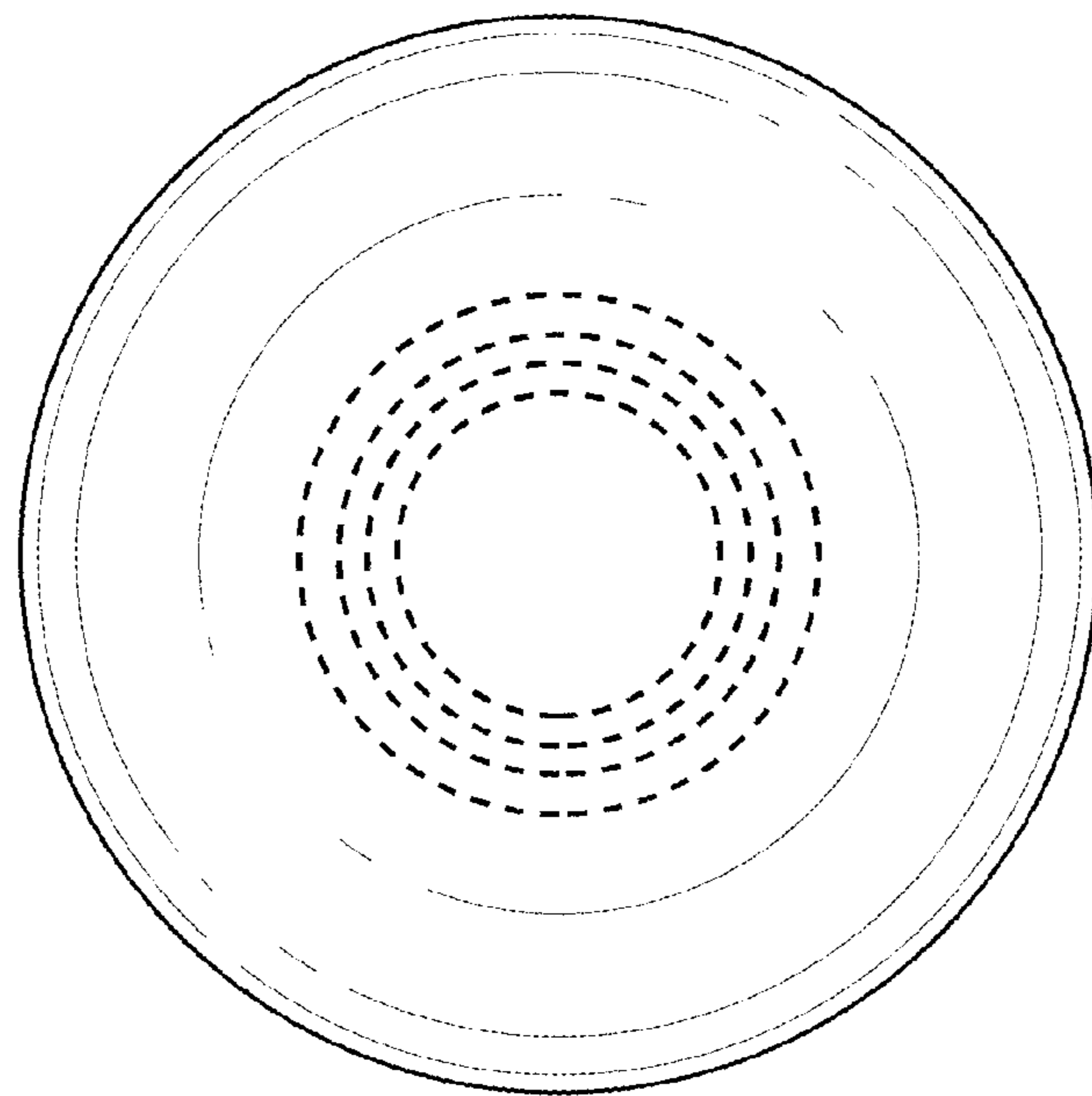
**FIG. 4**



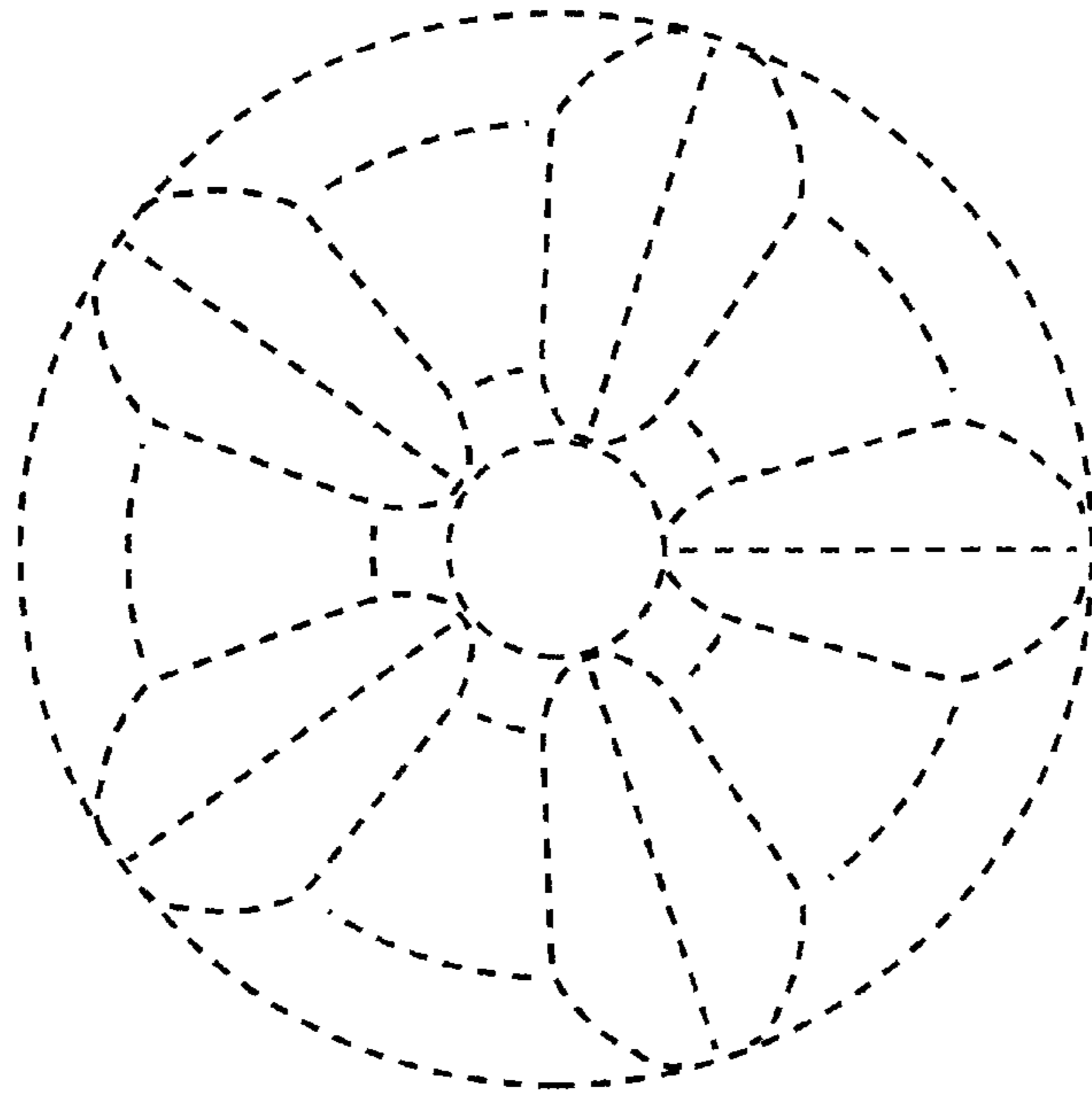
**FIG. 5**



**FIG. 6**

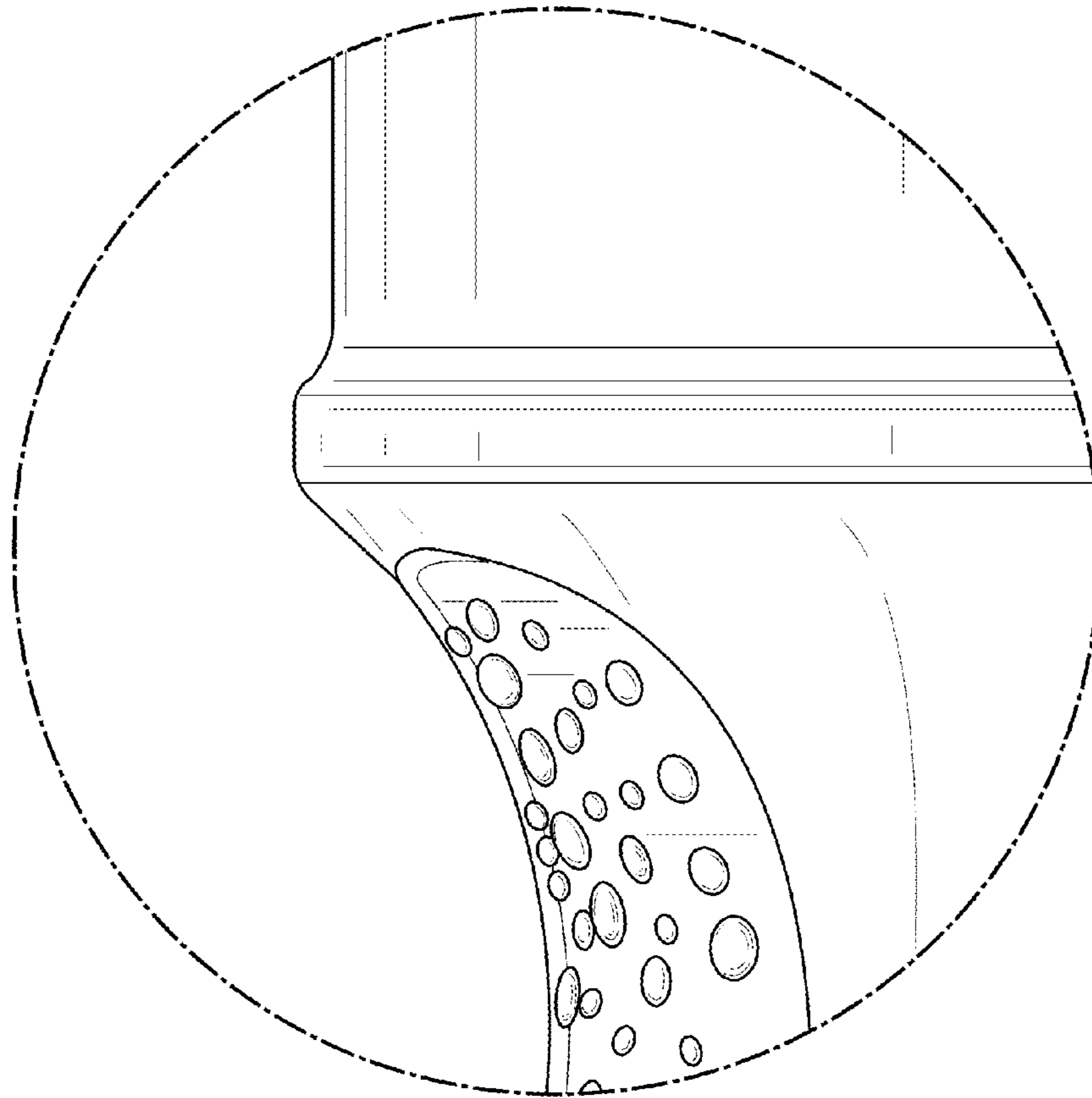


**FIG. 7**



**FIG. 8**





**FIG. 9**