



US00D754001S

(12) **United States Design Patent**  
**Barrier**

(10) **Patent No.:** **US D754,001 S**  
(45) **Date of Patent:** **\*\* Apr. 19, 2016**

- (54) **SPRAY CAN HOLDER**
- (71) Applicant: **David L. Barrier**, South Bend, IN (US)
- (72) Inventor: **David L. Barrier**, South Bend, IN (US)
- (\*\*) Term: **14 Years**
- (21) Appl. No.: **29/515,530**
- (22) Filed: **Jan. 23, 2015**
- (51) **LOC (10) Cl.** ..... **09-07**
- (52) **U.S. Cl.**  
USPC ..... **D9/455**; D7/622; D8/373; D9/434;  
D9/435
- (58) **Field of Classification Search**  
USPC ..... D6/323, 325, 326, 327, 328, 389, 552;  
D7/622; D8/33, 34, 52, 72, 308, 309,  
D8/336, 338, 349, 354, 359, 367, 373, 395,  
D8/396; D9/434, 435, 455, 517; D23/245,  
D23/262, 263, 265; D24/133, 135, 143;  
D34/10, 11, 35; 220/287, 742;  
215/396, 395; 248/311.2, 146;  
222/402.15, 473, 174  
CPC ... A47J 45/077; A45G 23/0241; B65D 23/10;  
B65D 23/104; B65D 23/106; B65D 23/108;  
B65D 23/2876; B65D 23/2817; B65D 23/32;  
B65D 23/325  
See application file for complete search history.

(56) **References Cited**

**U.S. PATENT DOCUMENTS**

2,558,272	A	6/1951	Rubenstein et al.	
2,868,421	A	1/1959	Schott	
2,953,283	A	9/1960	Palkowski	
3,039,657	A	6/1962	Meuwly	
3,045,878	A	7/1962	Blanford et al.	
3,856,209	A	12/1974	Hickson	
3,979,011	A *	9/1976	Schleicher	..... A47G 23/0266 220/287
4,040,543	A	8/1977	Guillen	
4,602,723	A *	7/1986	DeMars	..... A47G 23/0266 220/742

4,724,971	A *	2/1988	Henline	..... B65D 23/106 16/111.1
4,898,297	A *	2/1990	Wheeler	..... A47G 23/0266 220/742
D319,383	S *	8/1991	Kihlstrom	..... D8/349
D356,943	S *	4/1995	Buford	..... D8/373
D394,381	S *	5/1998	Ziaylek, Jr.	..... D8/354
D395,825	S *	7/1998	Freitas	..... D9/455
5,904,273	A	5/1999	Aspacher et al.	
D424,414	S *	5/2000	Ziaylek	..... D8/373
D478,509	S *	8/2003	DeCotis	..... D9/455
D593,859	S *	6/2009	Barnum	..... D7/622
D607,327	S *	1/2010	Harlan	..... D9/455
D643,289	S *	8/2011	Harlan	..... D7/622
D646,961	S *	10/2011	Hampton	..... D8/370
D661,979	S *	6/2012	Schwenkenberg	..... D8/373
D707,543	S *	6/2014	Schwenkenberg	..... D8/373
D735,563	S *	8/2015	Kelley	..... D8/367
D736,065	S *	8/2015	Castellano	..... D8/354
D745,320	S *	12/2015	Hill	..... D7/394
2003/0075550	A1 *	4/2003	Kenny	..... A47G 23/0266 220/742
2004/0135049	A1 *	7/2004	Kent-Fawkes	..... B65D 23/106 248/311.2

\* cited by examiner

*Primary Examiner* — Sheryl Lane

*Assistant Examiner* — Catherine Posthauer

(74) *Attorney, Agent, or Firm* — Robert C. Montgomery;  
Montgomery Patent & Design, LLC

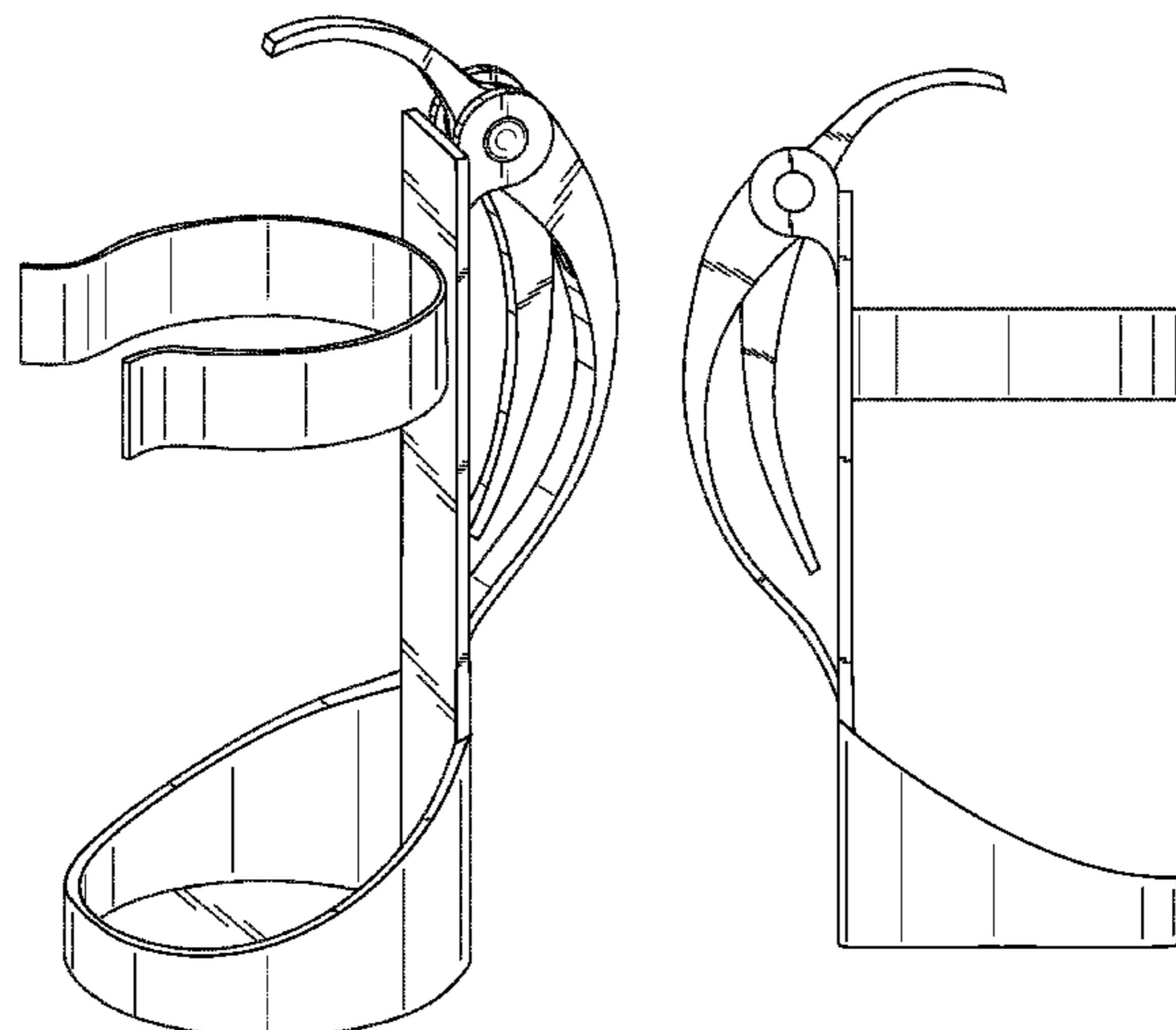
(57) **CLAIM**

The ornamental design for a spray can holder, as shown and described.

**DESCRIPTION**

FIG. 1 is a perspective front view of the spray can holder, showing my new design;  
 FIG. 2 is a front side view thereof;  
 FIG. 3 is a back side view thereof;  
 FIG. 4 is a left side view with the right side view being a mirror image thereof;  
 FIG. 5 is a top side view thereof; and,  
 FIG. 6 is a bottom side view thereof.

**1 Claim, 6 Drawing Sheets**



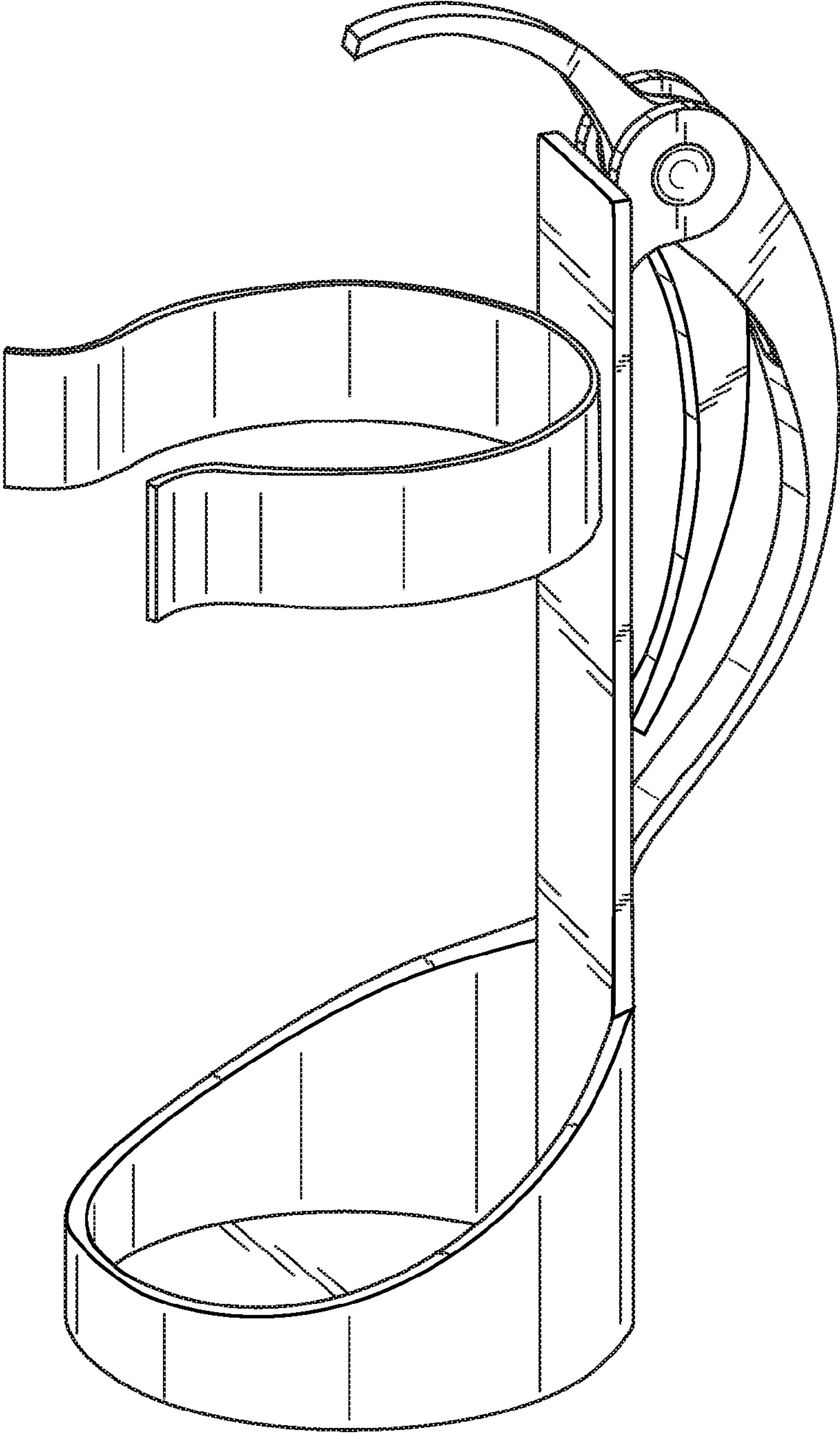


Fig. 1

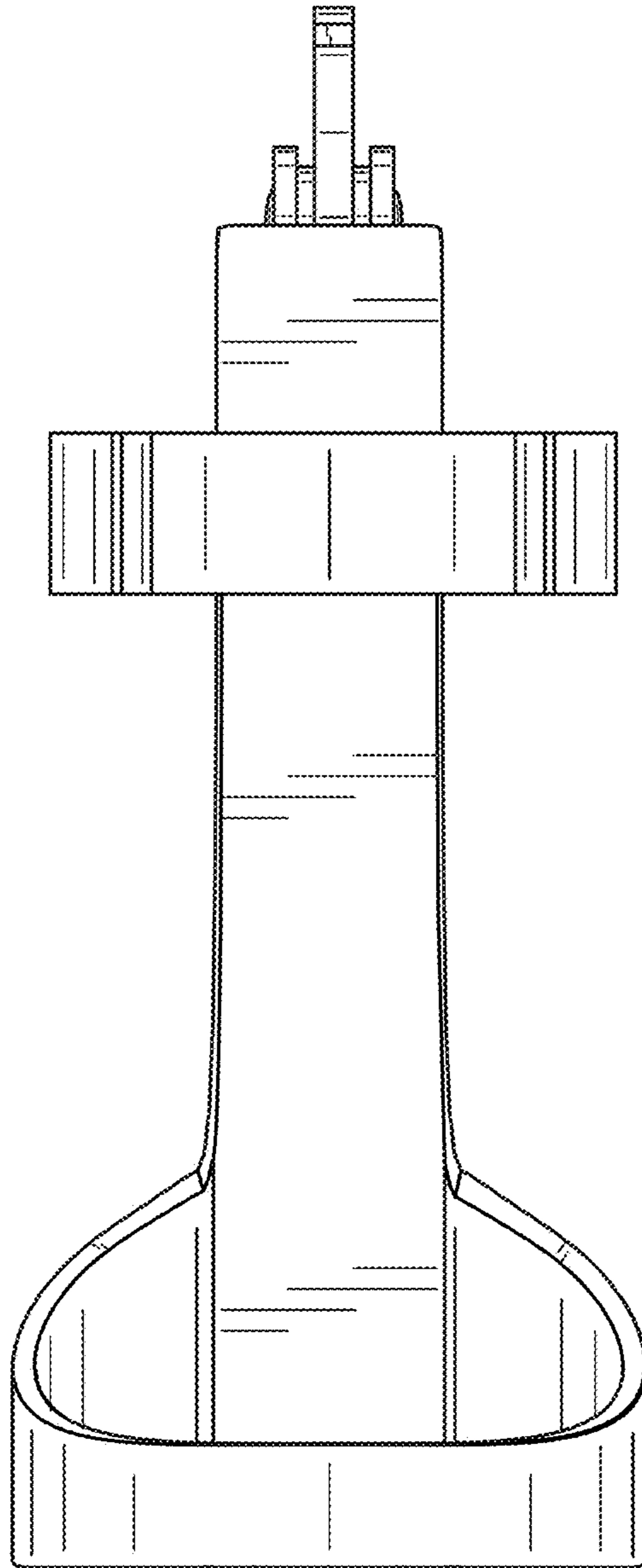


Fig. 2

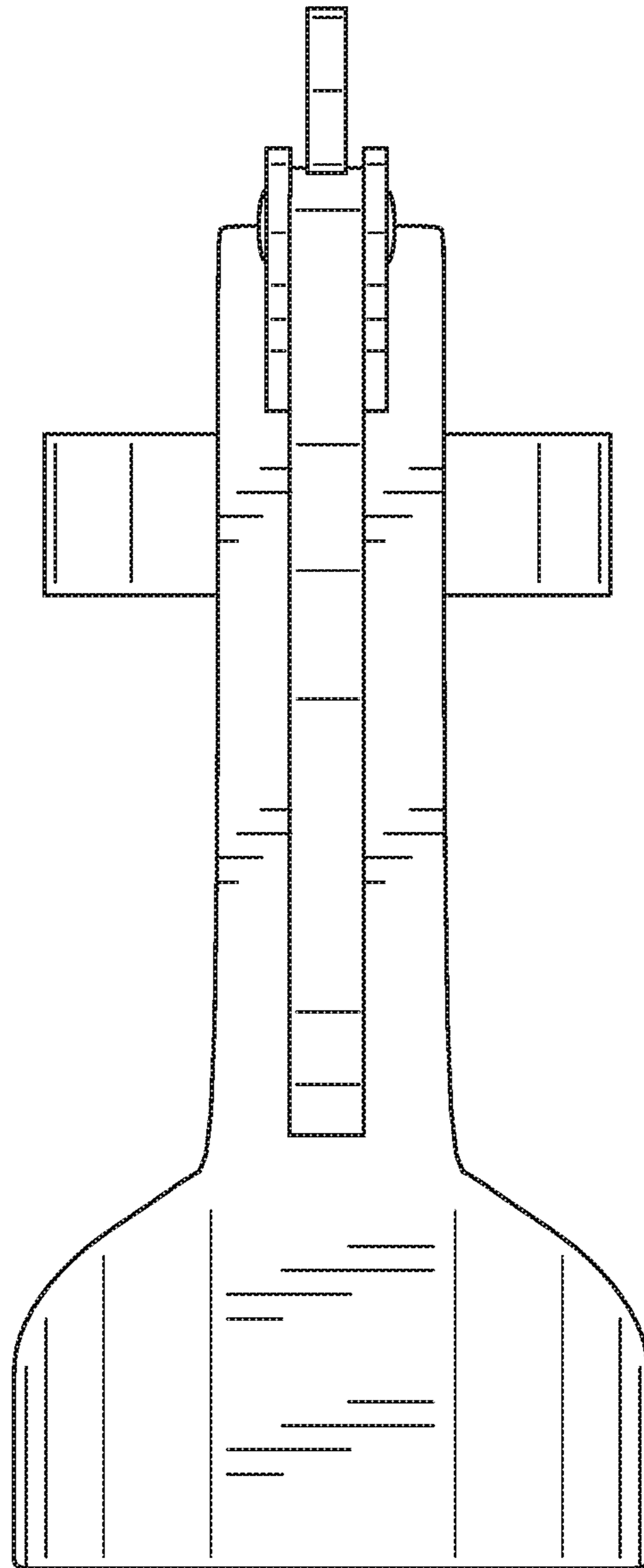


Fig. 3

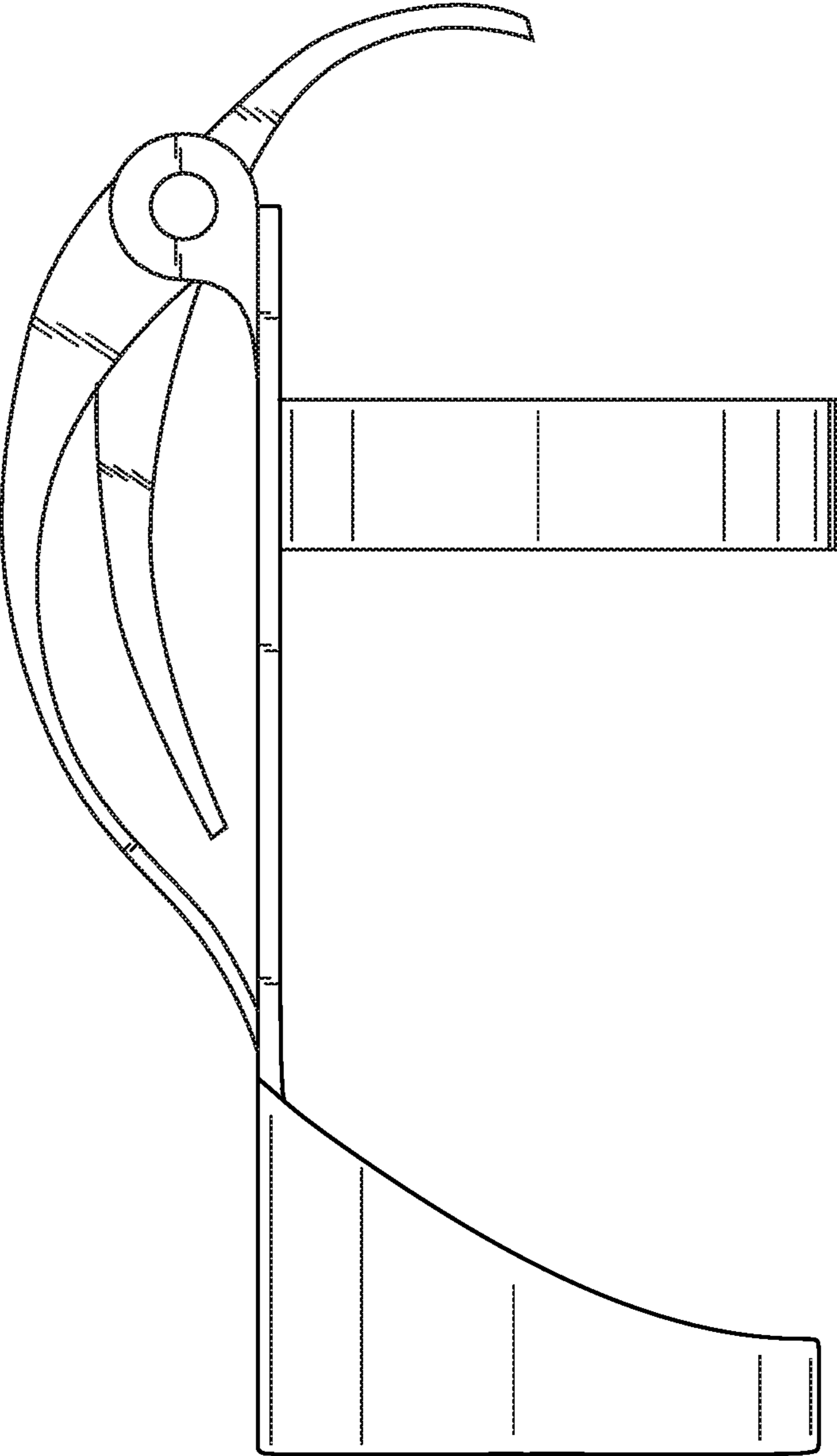


Fig. 4

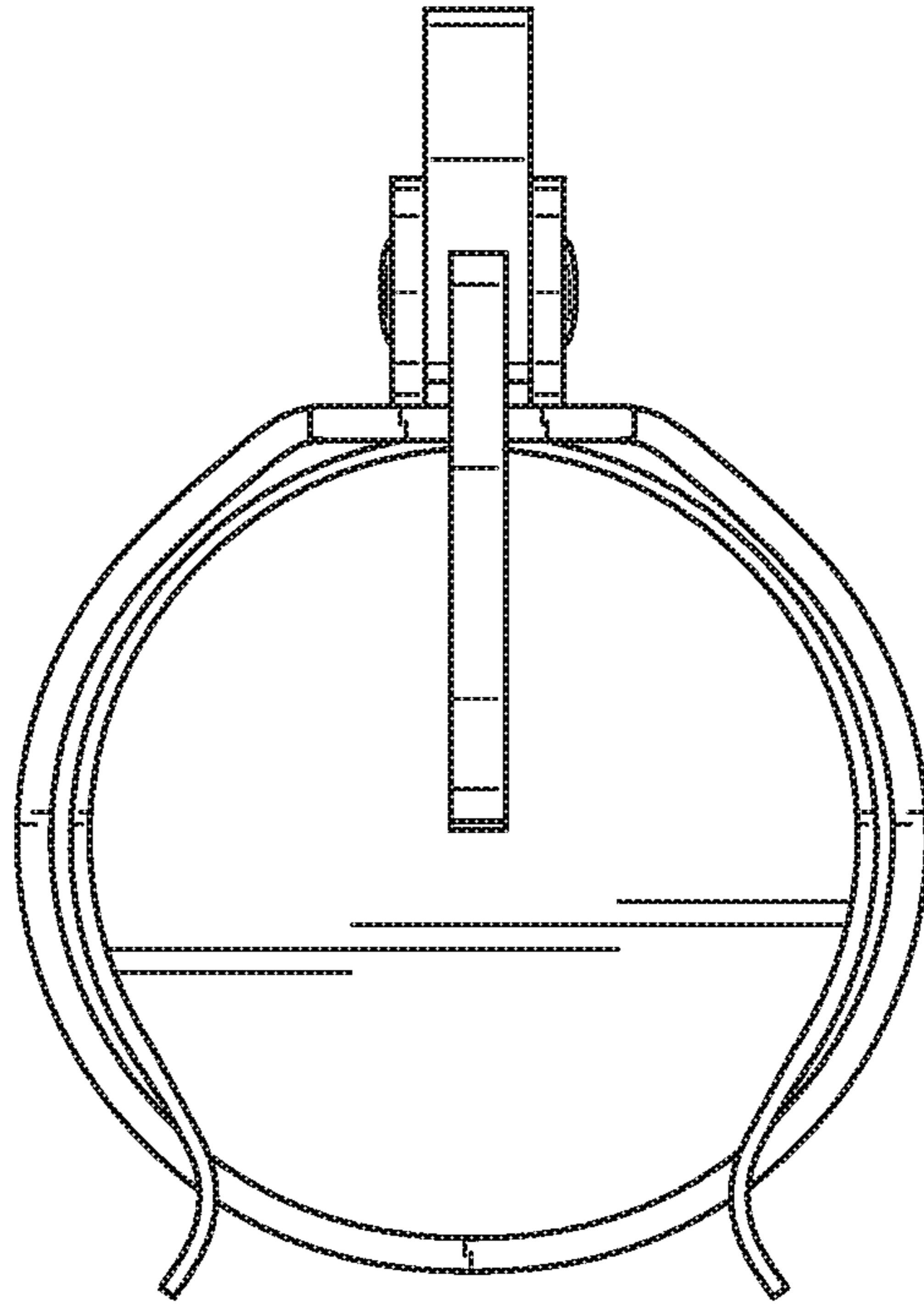


Fig. 5

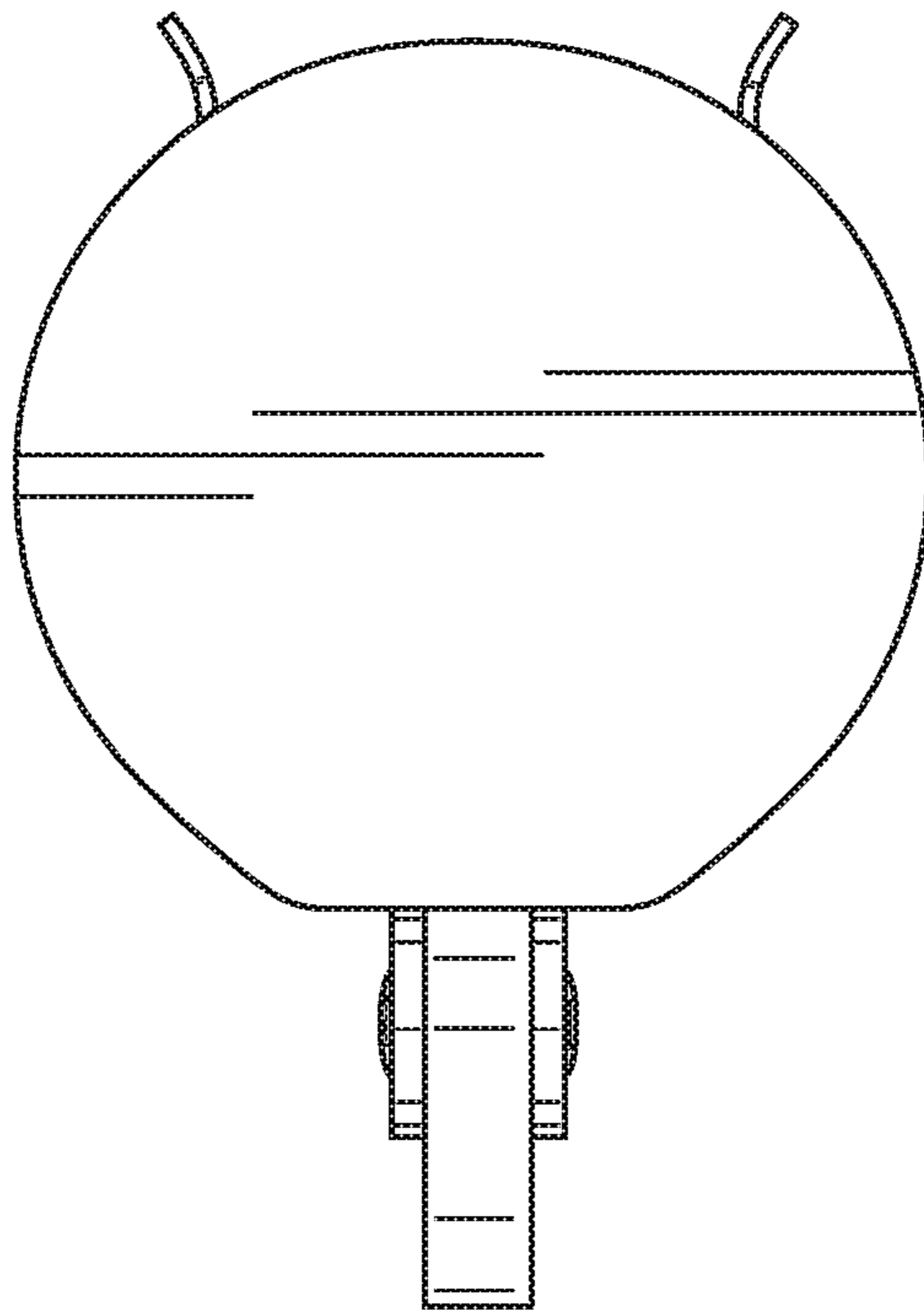


Fig. 6