



US00D754000S

(12) **United States Design Patent**
Wang

(10) **Patent No.:** **US D754,000 S**
(45) **Date of Patent:** **** Apr. 19, 2016**

- (54) **PUMP DISPENSER HEAD**
- (71) Applicant: **Derjin (Hong Kong) Holding Company Limited**, Central (HK)
- (72) Inventor: **Ya-Tsan Wang**, HsinChu (TW)
- (73) Assignee: **Derjin (Hong Kong) Holding Company Limited**, Central (HK)
- (**) Term: **14 Years**
- (21) Appl. No.: **29/500,471**
- (22) Filed: **Aug. 26, 2014**
- (51) **LOC (10) Cl.** **09-07**
- (52) **U.S. Cl.**
USPC **D9/448**; D9/434; D9/435; D9/437
- (58) **Field of Classification Search**
USPC D3/202; D6/542-545; D7/300, 321, D7/382.1, 396.2, 398, 500, 507, 509, 510, D7/511, 900; D9/434, 435, 440, 447, 448, D9/449, 454, 680, 686, 688; D19/70, 163; D24/127, 199; D28/4, 7, 76, 78, 82, D28/91, 91.1; 215/200, 235, 236, 252, 259, 215/329, 355, 364; 220/200, 254.2, 254.4, 220/254.7, 320
CPC A61L 9/14; A61L 9/15; B65D 39/00; B65D 41/00; B65D 43/00; B65D 43/02; B65D 43/265; B65D 43/267; B65D 47/00; B65D 83/40; B65D 83/205
See application file for complete search history.

- D489,613 S * 5/2004 Campbell D9/447
- D489,615 S * 5/2004 Bakic D9/448
- D489,616 S * 5/2004 Bakic D9/447

(Continued)

FOREIGN PATENT DOCUMENTS

- CN 3055519 * 3/1997
- CN 3153960 * 7/2000

(Continued)

OTHER PUBLICATIONS

Aldi Lacura Aqua Complete Serum: Announced Jul. 18, 2013 [online] site visited [Nov. 22, 2015]. Available from Internet URL:<http://www.helloterrilowe.com/2013/07/aldi-lacura-aqua-complete-serum.html>.*

(Continued)

Primary Examiner — Thomas Johannes
Assistant Examiner — Catherine Posthauer
(74) *Attorney, Agent, or Firm* — C. G. Mersereau; Nikolai & Mersereau, P.A.

(57) **CLAIM**
The ornamental design for a pump dispenser head, as shown and described.

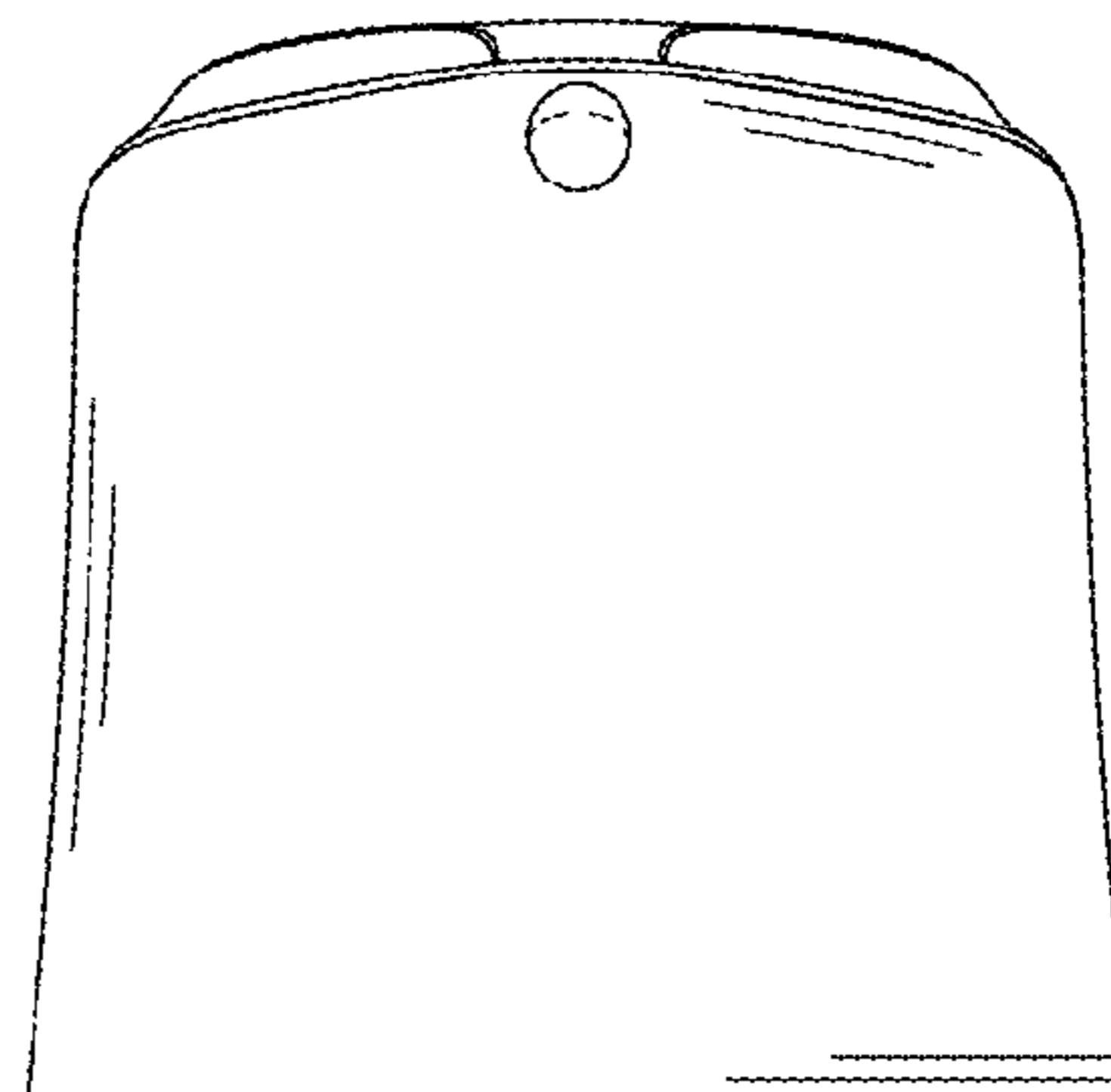
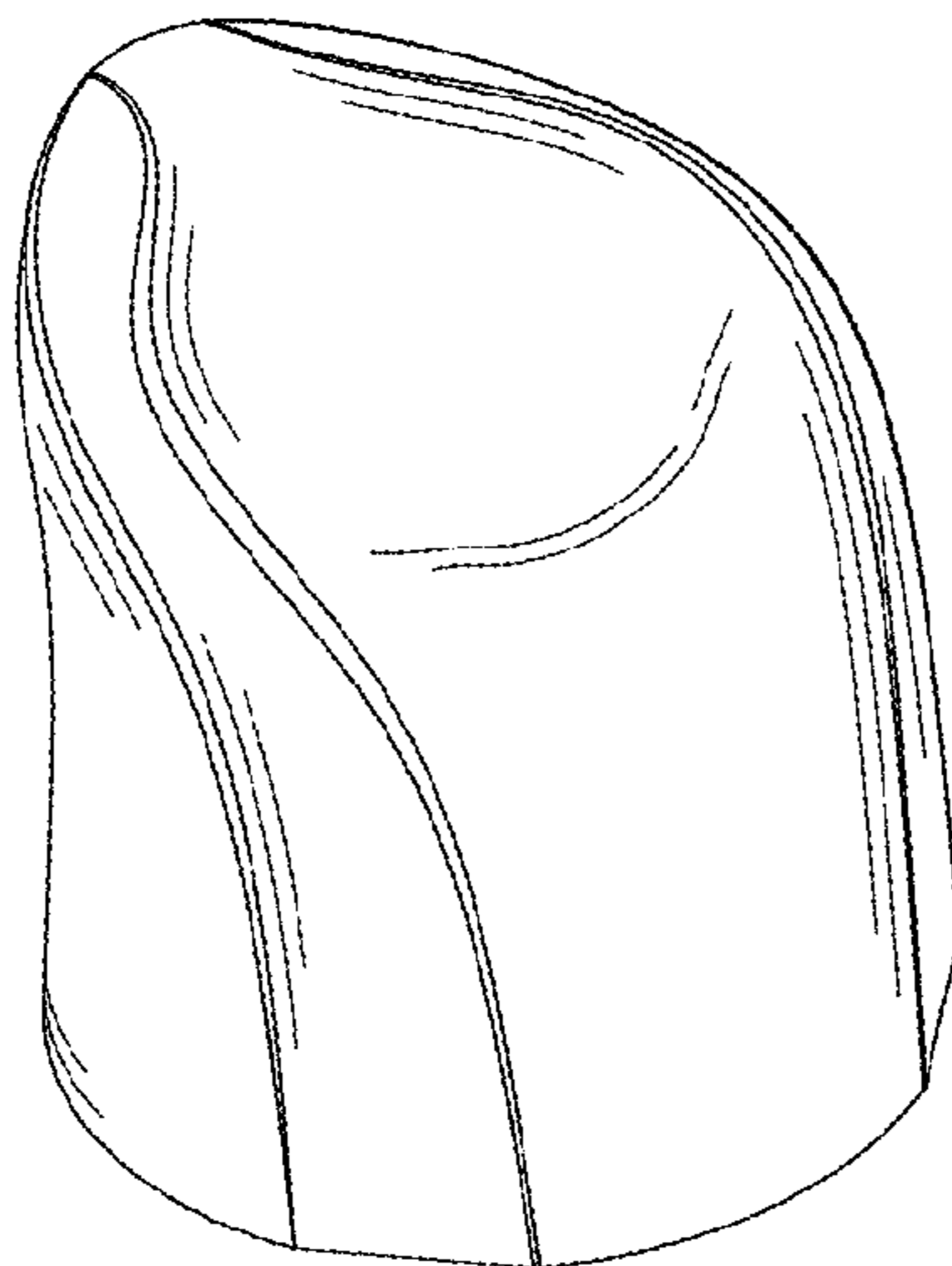
DESCRIPTION

FIG. 1 is a perspective view of the pump dispenser head
FIG. 2 is a front elevation view thereof;
FIG. 3 is a rear elevation view thereof;
FIG. 4 is a left side elevation view thereof;
FIG. 5 is a right side elevation view thereof;
FIG. 6 is a top plan view thereof; and,
FIG. 7 is a bottom plan view thereof.
The broken lines are shown for the purpose of illustrating parts of the pump dispenser that form no part of the claimed design.

1 Claim, 4 Drawing Sheets

(56) **References Cited**
U.S. PATENT DOCUMENTS

- D242,517 S * 11/1976 Rosewell D7/392
- D243,890 S * 3/1977 Yajima D28/49
- D301,205 S * 5/1989 Joyaux D9/448
- D314,688 S * 2/1991 Guillerm D9/448
- D407,313 S * 3/1999 Wadsworth D9/445
- D481,947 S * 11/2003 Levesque D9/444



(56)

References Cited

U.S. PATENT DOCUMENTS

D503,888	S	*	4/2005	Garcia	D9/449
D532,300	S	*	11/2006	Moretti	D9/448
D532,302	S	*	11/2006	Moretti	D9/448
D539,143	S	*	3/2007	Arminak	D9/448
D541,653	S	*	5/2007	Pietrowski	D9/448
D541,654	S	*	5/2007	Pietrowski	D9/448
D543,106	S	*	5/2007	Foster	D9/448
D547,182	S	*	7/2007	Foster	D9/448
D551,076	S	*	9/2007	Bloc	D9/448
D552,991	S	*	10/2007	Lai	D9/448
D600,553	S	*	9/2009	Dubitsky	D9/448
D612,728	S	*	3/2010	Borstel	D9/449
D666,909	S	*	9/2012	Bloc	D9/448
D678,064	S	*	3/2013	Arminak	D9/448
8,672,192	B2	*	3/2014	Wang	B05B 11/3023 222/321.2
D709,761	S	*	7/2014	Sanders	D9/445
D713,671	S	*	9/2014	De Leo	D7/392.1

FOREIGN PATENT DOCUMENTS

CN	301803216	*	1/2012
CN	301813710	*	1/2012
CN	301849038	*	2/2012
CN	301936105	*	5/2012

OTHER PUBLICATIONS

Seabuck Wonders Facial Cream: Announced Jul. 6, 2013 [online], site visited [Nov. 22, 2015]. Available from Internet URL: <http://maryqin.com/seabuck-wonders-facial-cleanser-cream-review/>.*

Mabelline Dream Liquid Mousse: Announced Jul. 31, 2012 [online], site visited [Nov. 22, 2015]. Available from Internet URL: http://www.maybelline.com/Products/Face-Makeup/Foundation/Dream-Liquid-Mousse.aspx?gclid=CJPT_qPNpMkCFUNgfgods-8IEA.*

Amara Organic Anti-Aging Face Cream: Announced [Nov. 28, 2014] [online], site visited [November 22, 2015]. Available from Internet URL: http://www.amazon.com/...eratrol/product-reviews/B00OC0DUNI/ref=cm_cr_pr_btm_link_15?ie=UTF8&showViewpoints=1&sortBy=bySubmissionDateDescending&pageNumber=15.*

* cited by examiner

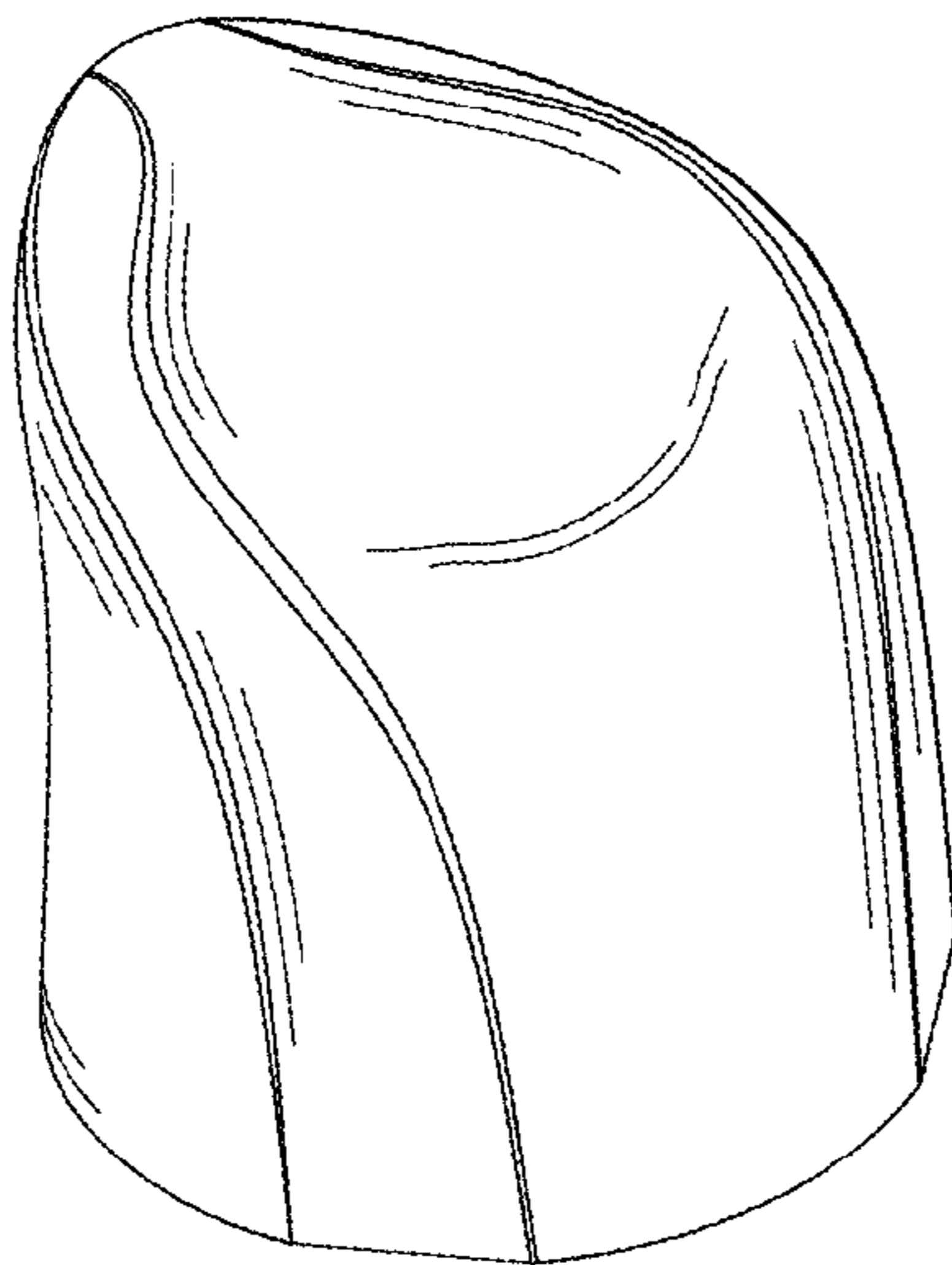


FIG.1

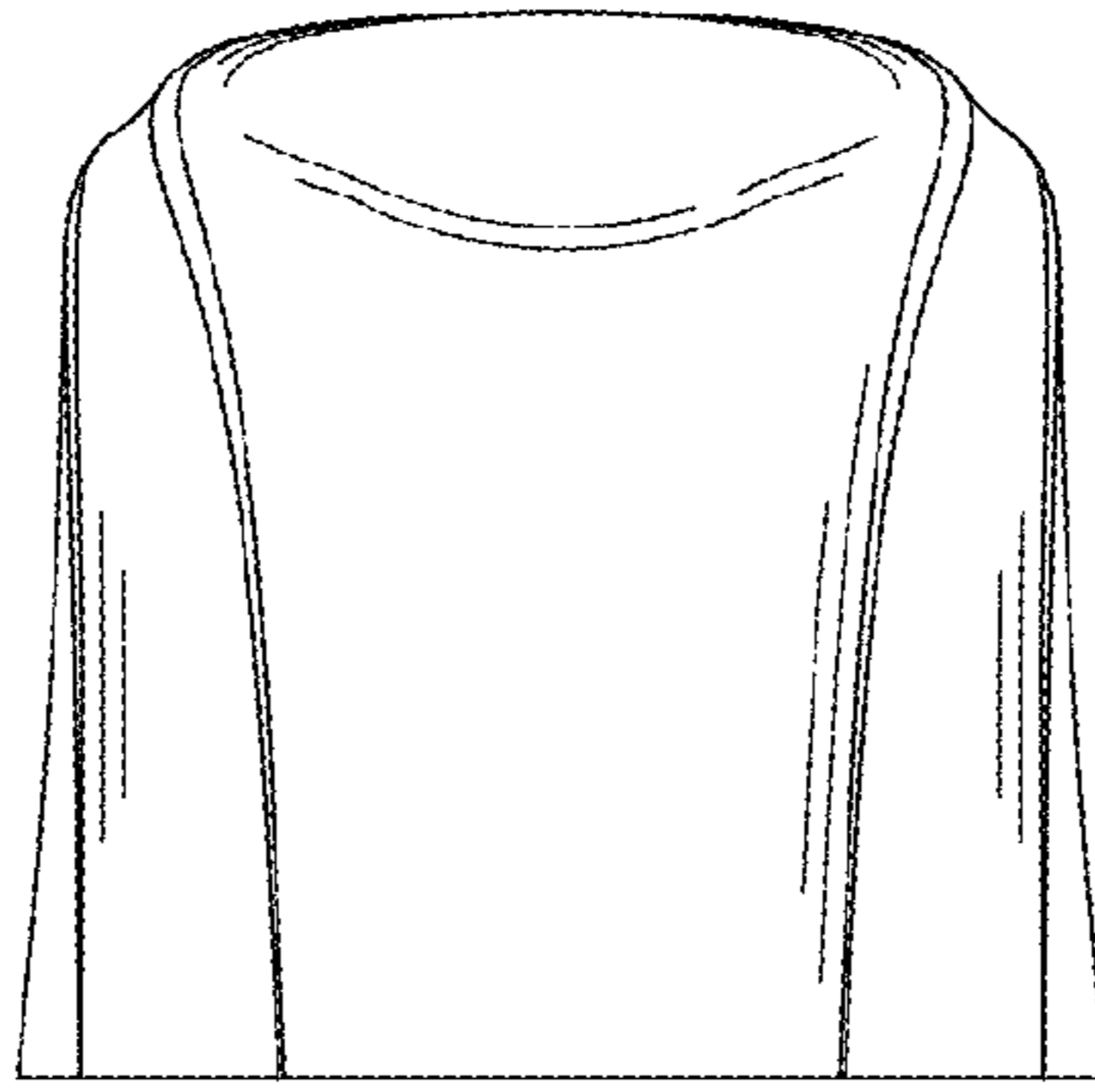


FIG.2

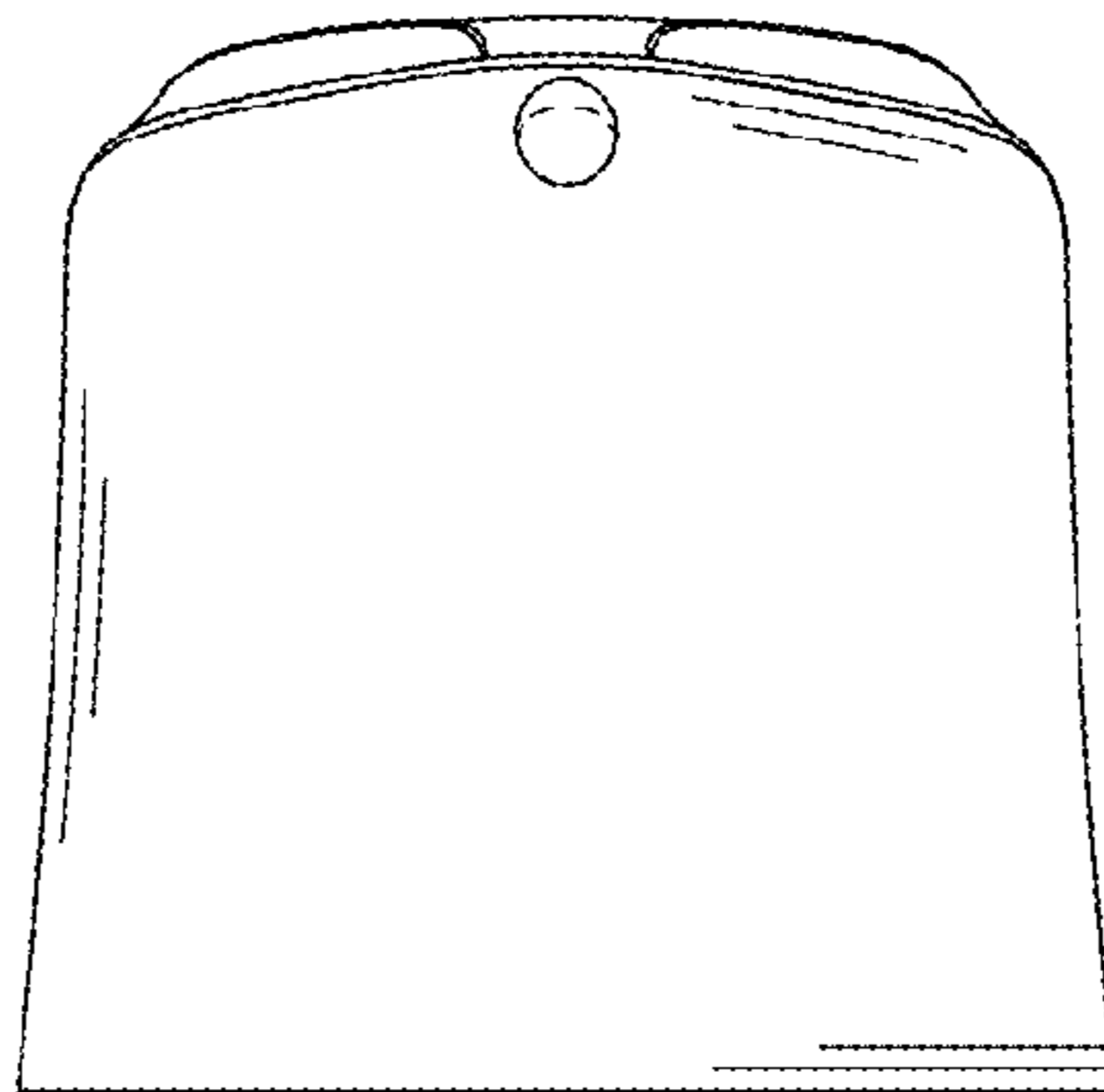


FIG.3

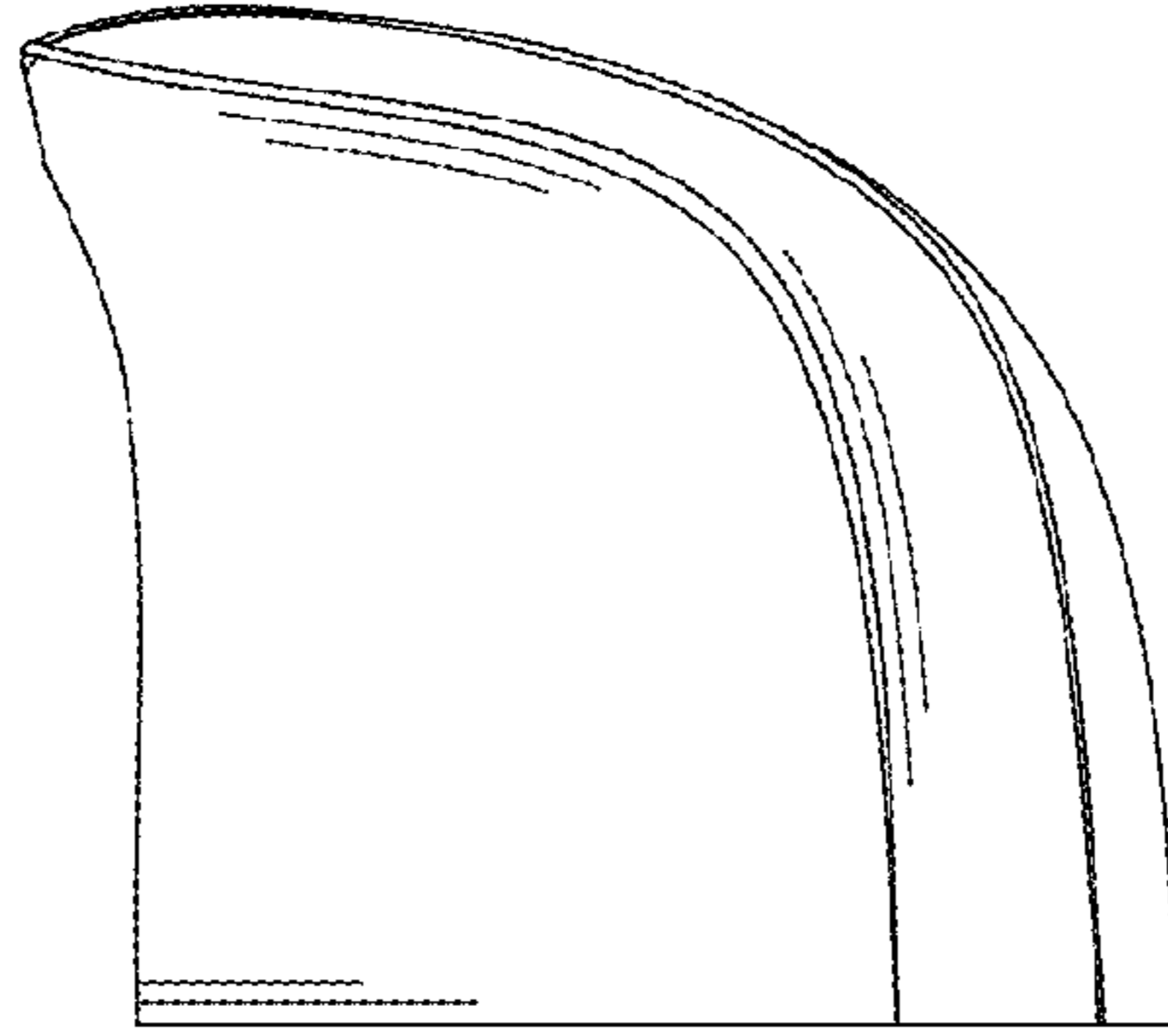


FIG. 4

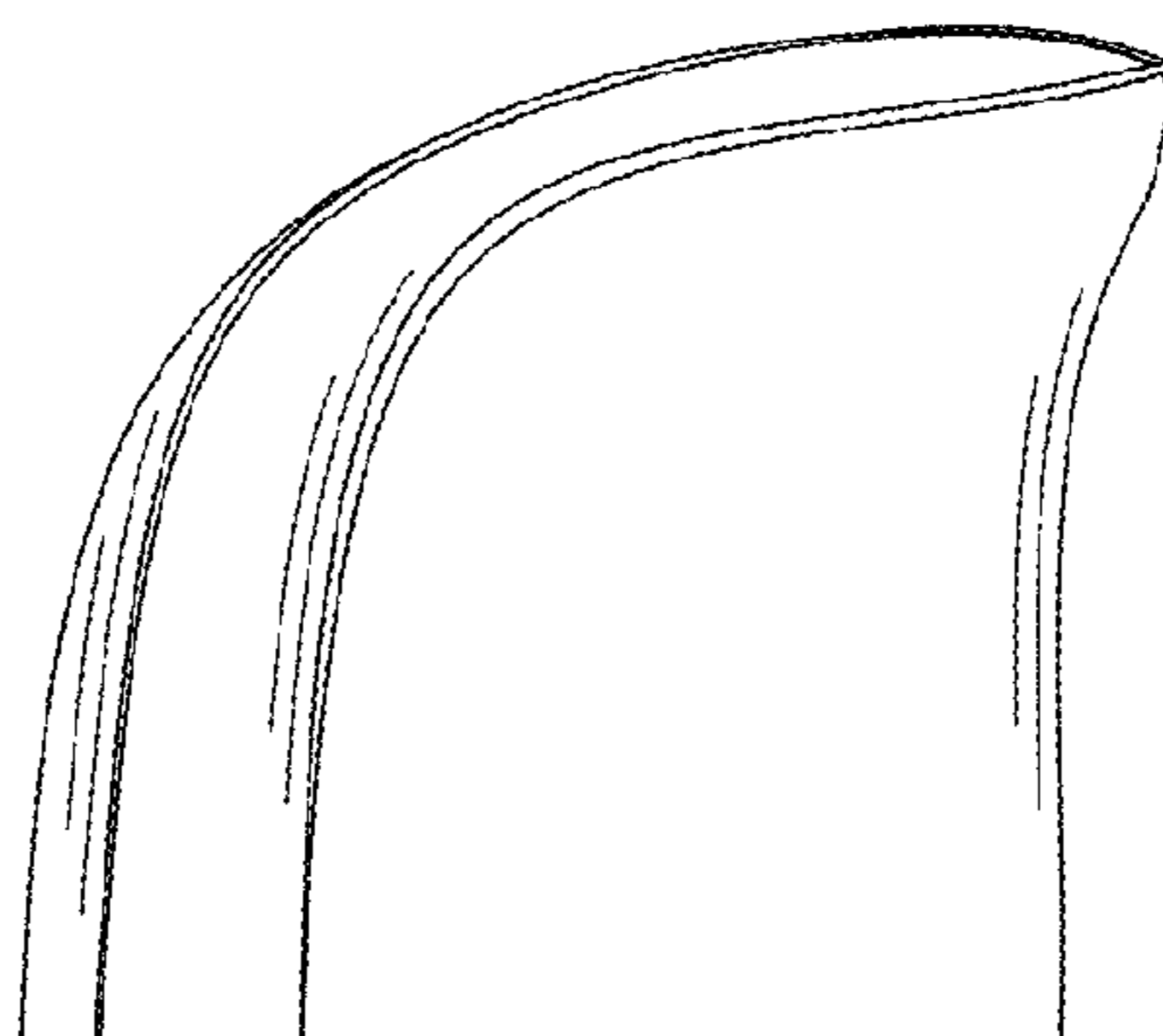


FIG. 5

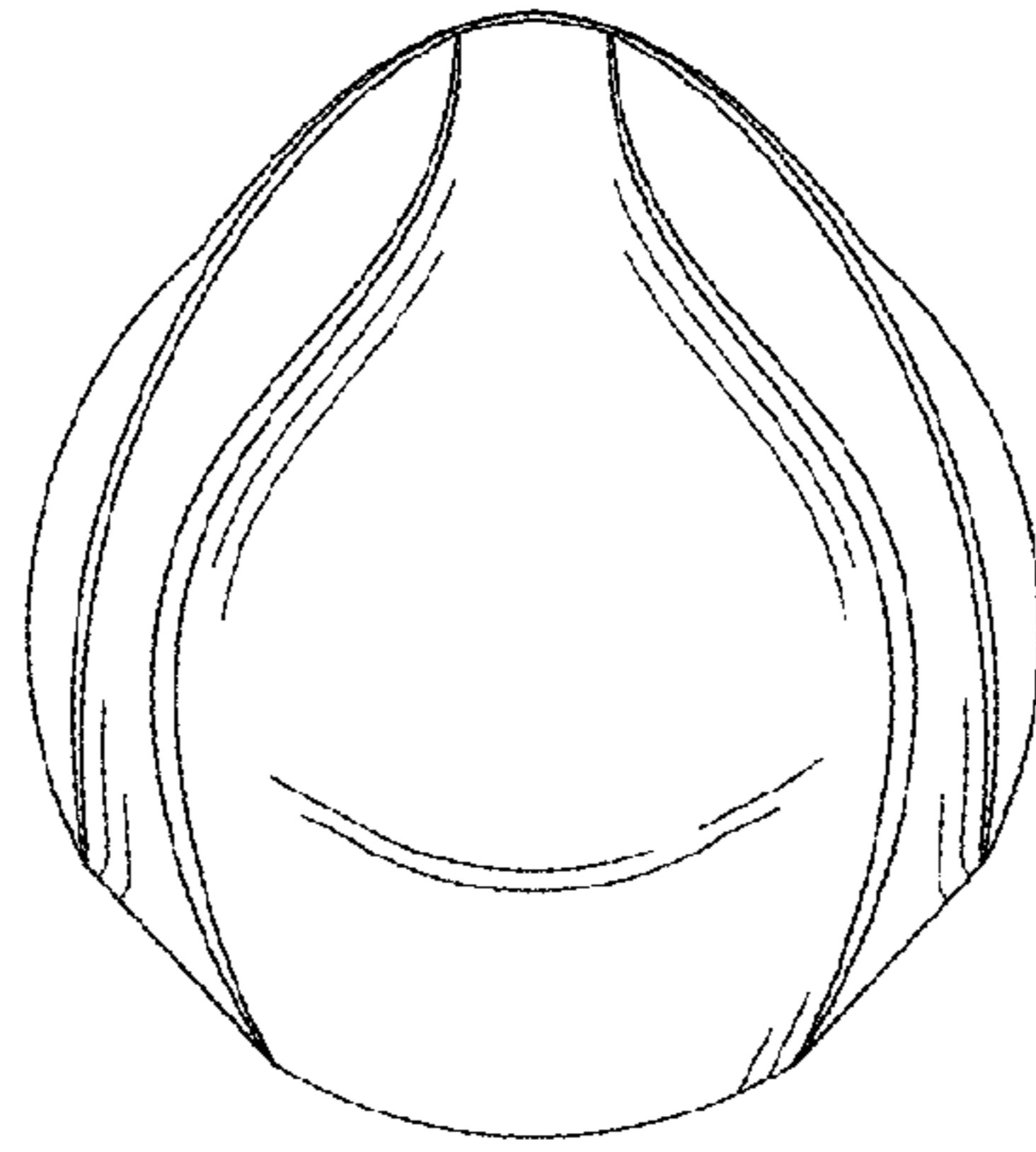


FIG. 6

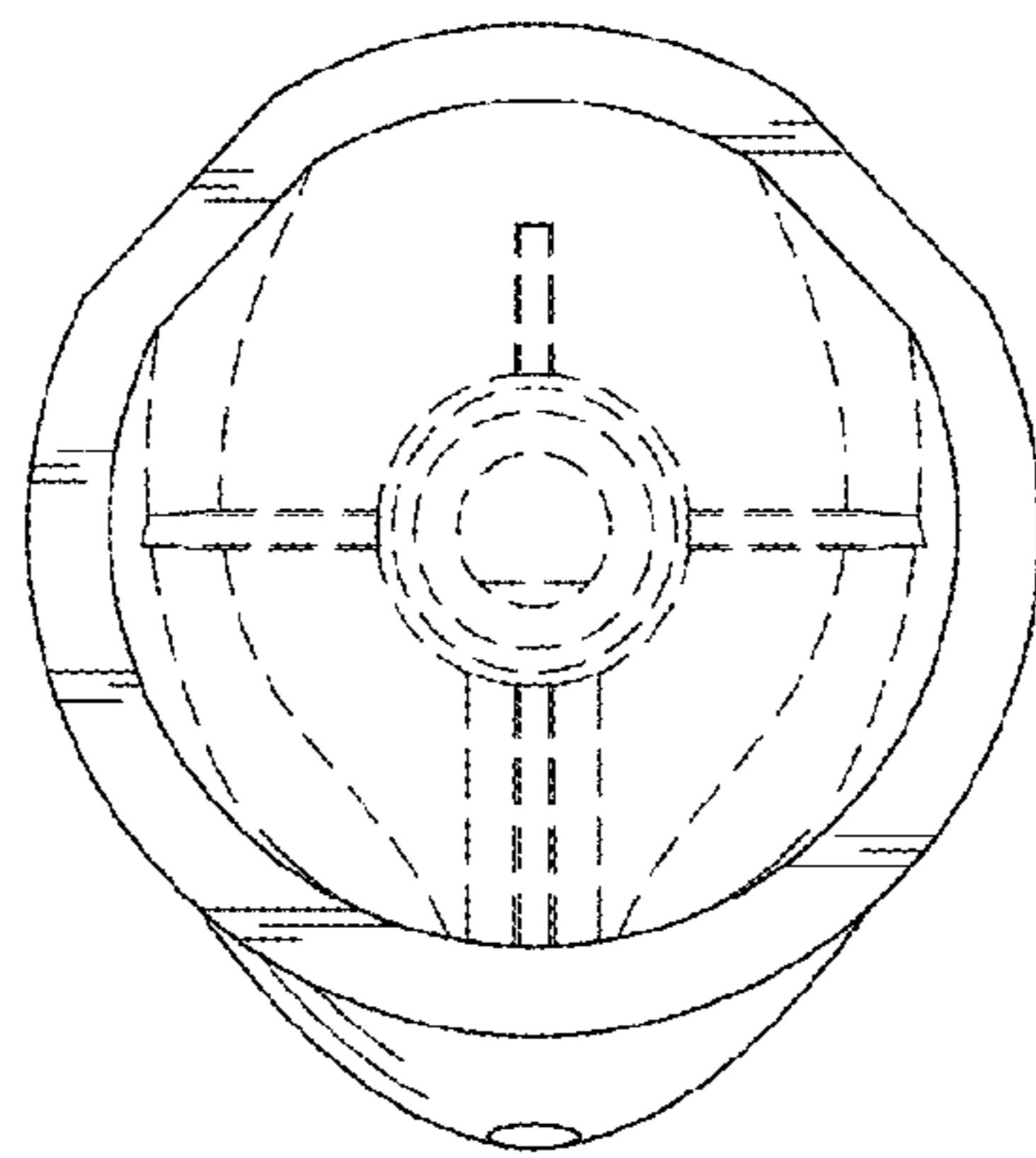


FIG. 7