



US00D753994S

(12) **United States Design Patent**
Pantelleria

(10) **Patent No.:** **US D753,994 S**
(45) **Date of Patent:** **** Apr. 19, 2016**

- (54) **CONTAINER WITH LOCK**
- (71) Applicant: **Huhtamaki, Inc.**, De Soto, KS (US)
- (72) Inventor: **Joseph A. Pantelleria**, Overland Park, KS (US)
- (73) Assignee: **HUHTAMAKI, INC.**, De Soto, KS (US)
- (**) Term: **14 Years**
- (21) Appl. No.: **29/510,827**
- (22) Filed: **Dec. 3, 2014**
- (51) **LOC (10) Cl.** **09-03**
- (52) **U.S. Cl.**
USPC **D9/432; D9/416**
- (58) **Field of Classification Search**
USPC D9/414, 416, 420, 423, 430, 431, 432, D9/433, 715, 717, 721, 761; D7/601, 602, D7/708; 229/100, 101, 103, 103.3, 111, 229/112
CPC B65D 1/36; B65D 81/3294; B65D 1/24; B65D 81/3261; B65D 5/6661; B65D 5/545; B65D 5/667
See application file for complete search history.

(56) **References Cited**

U.S. PATENT DOCUMENTS

4,232,816	A	11/1980	Johnson et al.	
4,360,147	A *	11/1982	Brauner	B65D 5/667 229/146
4,431,128	A	2/1984	Dirico	
4,472,896	A	9/1984	Brauner et al.	
4,844,330	A *	7/1989	Roosa	B65D 5/48024 206/568
4,877,178	A *	10/1989	Eisman	B65D 5/68 229/114
4,955,527	A *	9/1990	Blackman	B65D 5/667 229/114
5,039,003	A *	8/1991	Gordon	B65D 5/48024 229/114
D322,571	S *	12/1991	Groves	D9/423
D322,757	S *	12/1991	Payne	D9/425
5,205,476	A *	4/1993	Sorenson	B65D 5/667 229/114
5,221,040	A *	6/1993	Sorenson	B65D 5/6626 229/114

D346,553	S *	5/1994	Akerlind	D9/420
5,332,147	A *	7/1994	Sorenson	B65D 5/6626 229/114
D352,897	S *	11/1994	Jackson	D9/422
5,388,758	A *	2/1995	Scovell	B65D 5/4266 229/114
5,431,333	A	7/1995	Lorenz	
D384,583	S *	10/1997	Green	D9/431
5,860,530	A *	1/1999	Simmons	B65D 43/021 206/557
6,126,065	A *	10/2000	Wee	B65D 5/2047 229/114
D519,830	S *	5/2006	Yocum	D9/420
D622,589	S *	8/2010	Elias	D9/431
7,874,476	B2 *	1/2011	D'Amato	B65D 5/302 229/114
8,490,808	B1 *	7/2013	Snyder	B65D 5/667 220/4.22

(Continued)

OTHER PUBLICATIONS

Photos of Hamburger Clamshell and Hot Dog Clamshells, <http://www.2.us.huhtamaki.com>, 3 pages, Huhtamaki Food Group 2013.

Primary Examiner — Dana L Meyrow

Assistant Examiner — Keith Frank

(74) *Attorney, Agent, or Firm* — Husch Blackwell LLP

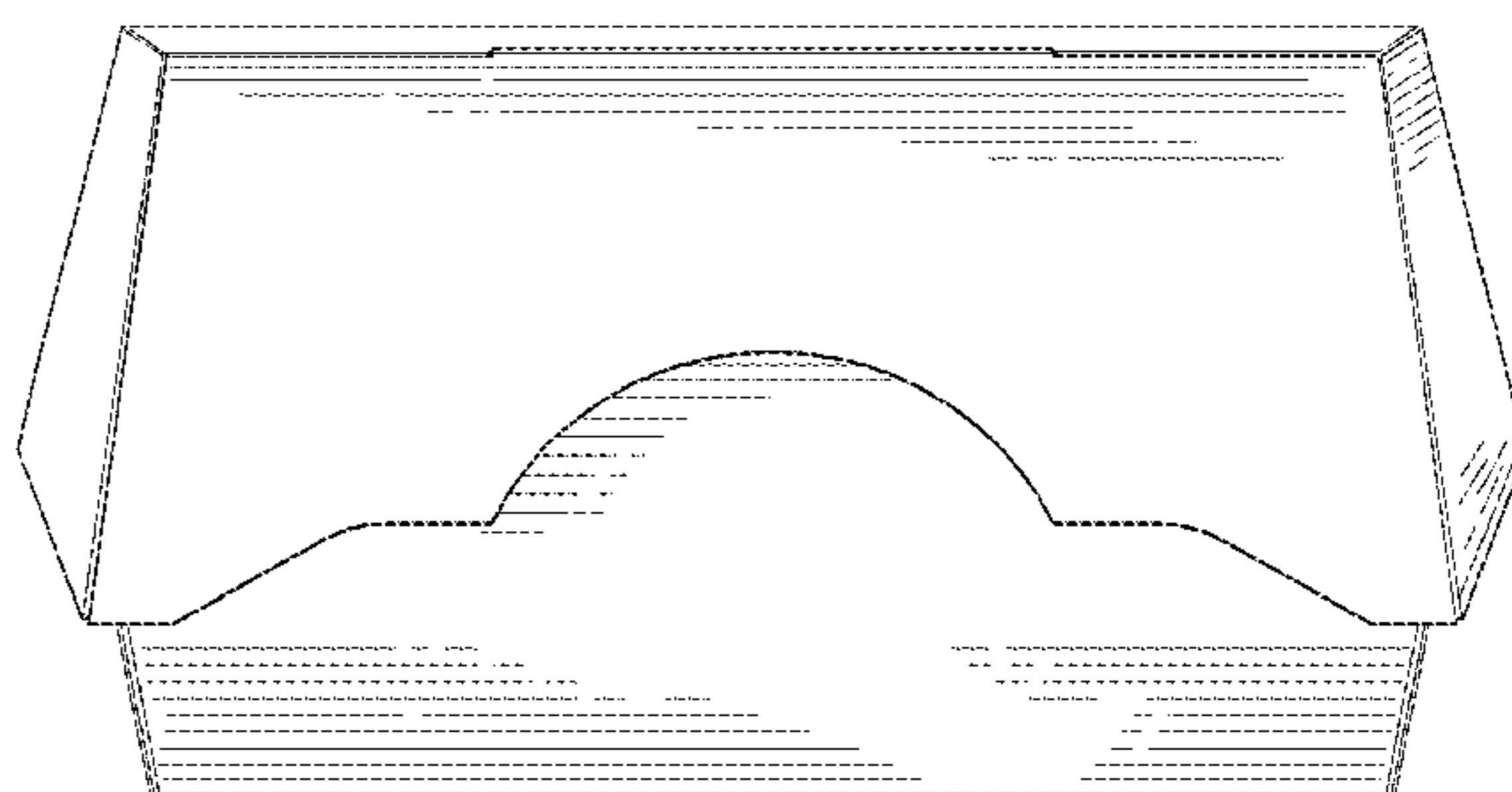
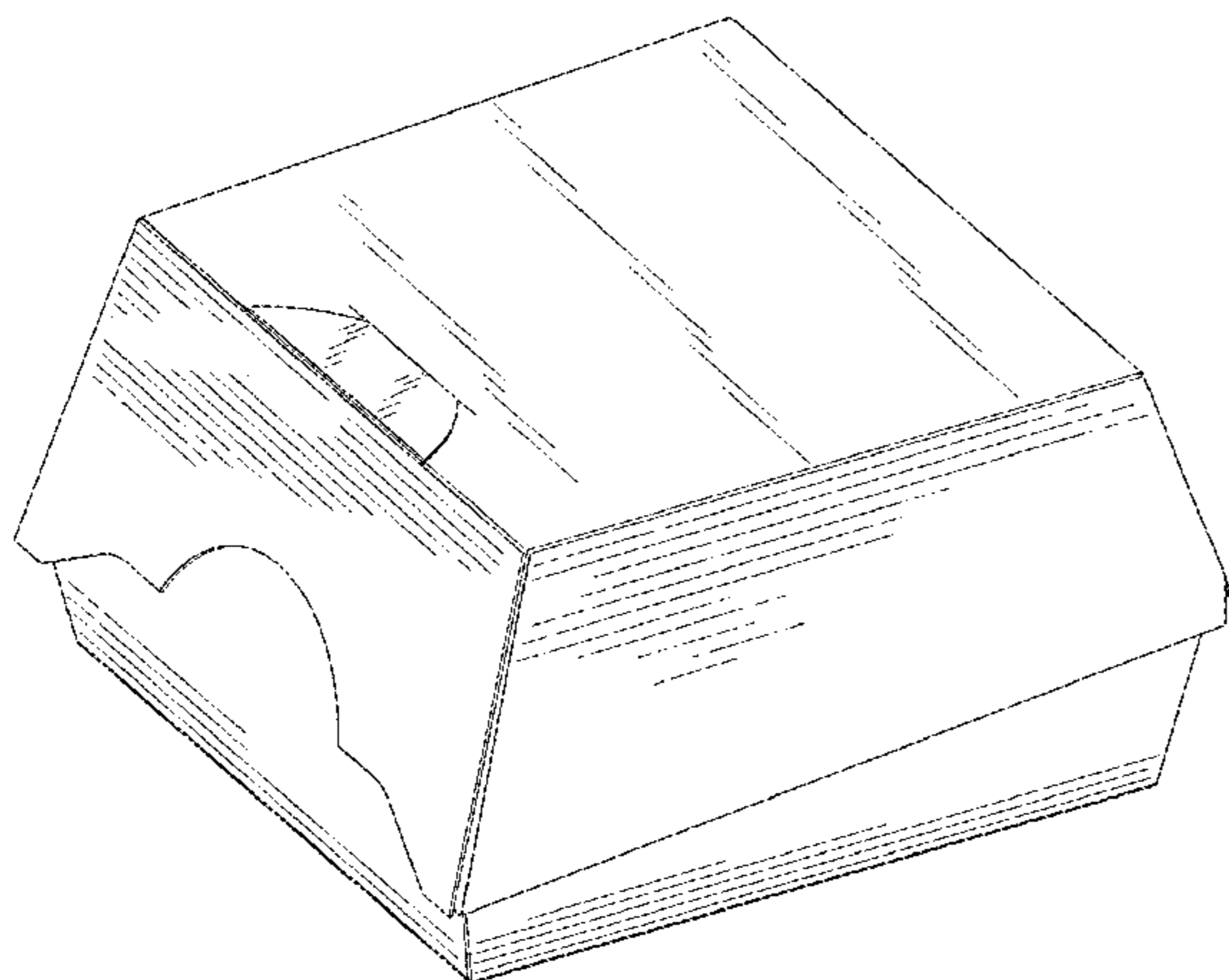
(57) **CLAIM**

The ornamental design for a container with lock, as shown and described.

DESCRIPTION

FIG. 1 is a perspective view of the design of a container with lock taken from the front and right side thereof;
 FIG. 2 is a perspective view taken from the bottom and showing the rear and left side thereof;
 FIG. 3 is a front elevational view thereof;
 FIG. 4 is a rear elevational view thereof;
 FIG. 5 is a right side elevational view of FIG. 1;
 FIG. 6 is a left side elevational view of FIG. 1;
 FIG. 7 is a top plan view thereof; and,
 FIG. 8 is a bottom plan view thereof.

1 Claim, 6 Drawing Sheets



(56)

References Cited

2002/0089847 A1* 7/2002 Nguyen B65D 5/4233
362/154

U.S. PATENT DOCUMENTS

D695,608 S * 12/2013 Pusta D9/431
8,740,050 B2 * 6/2014 Zinck B65D 5/667
229/114

* cited by examiner

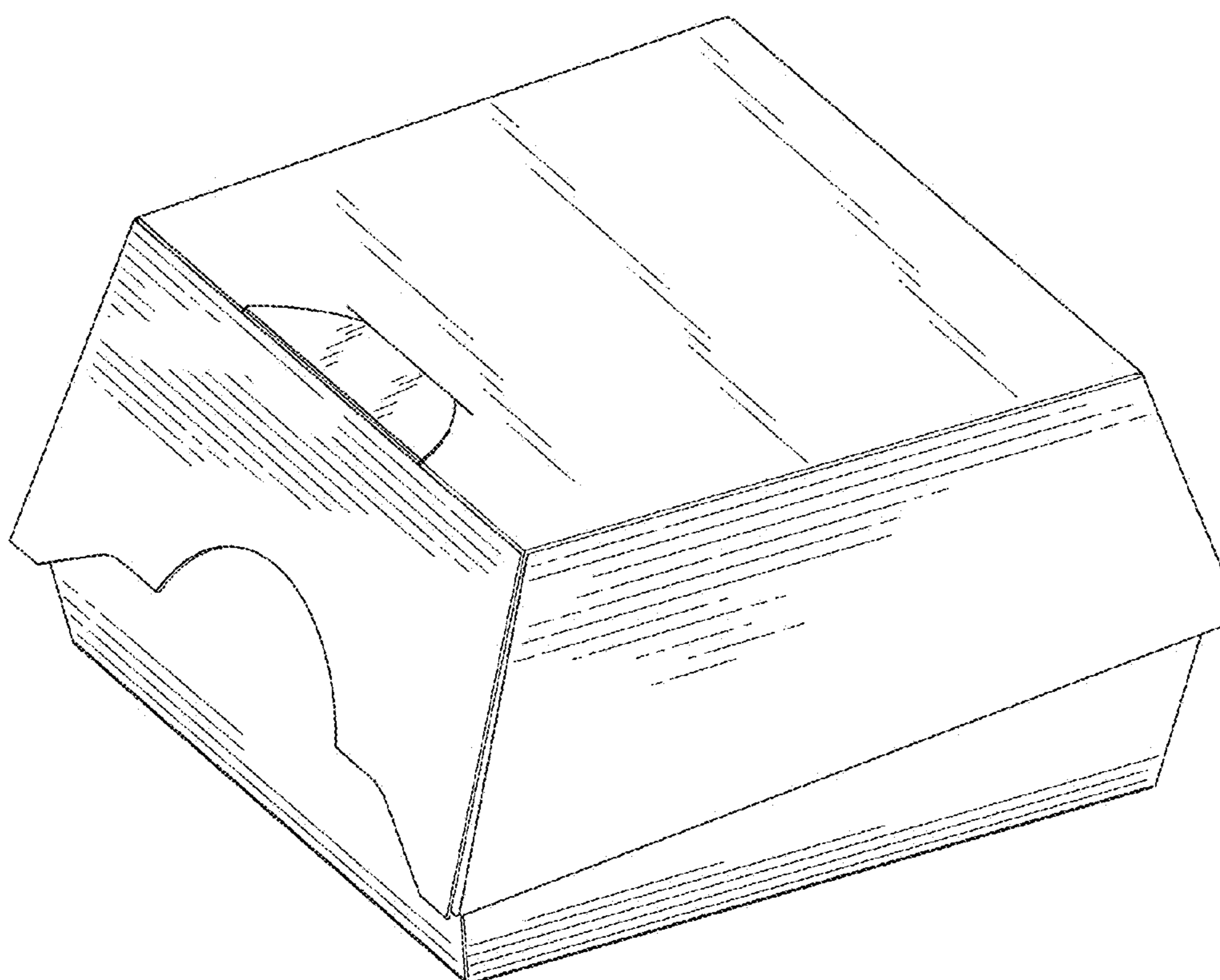


Fig. 1

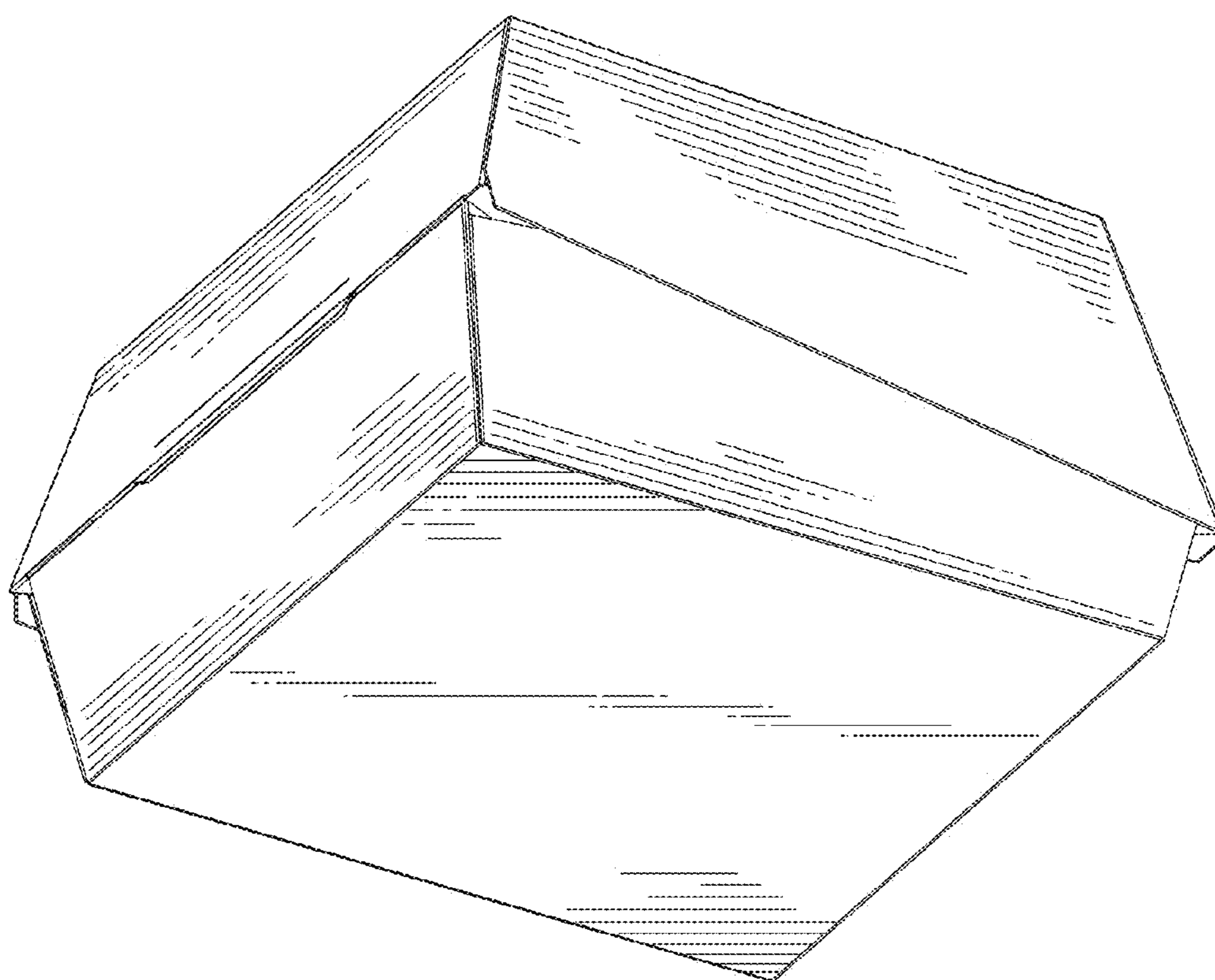


Fig. 2

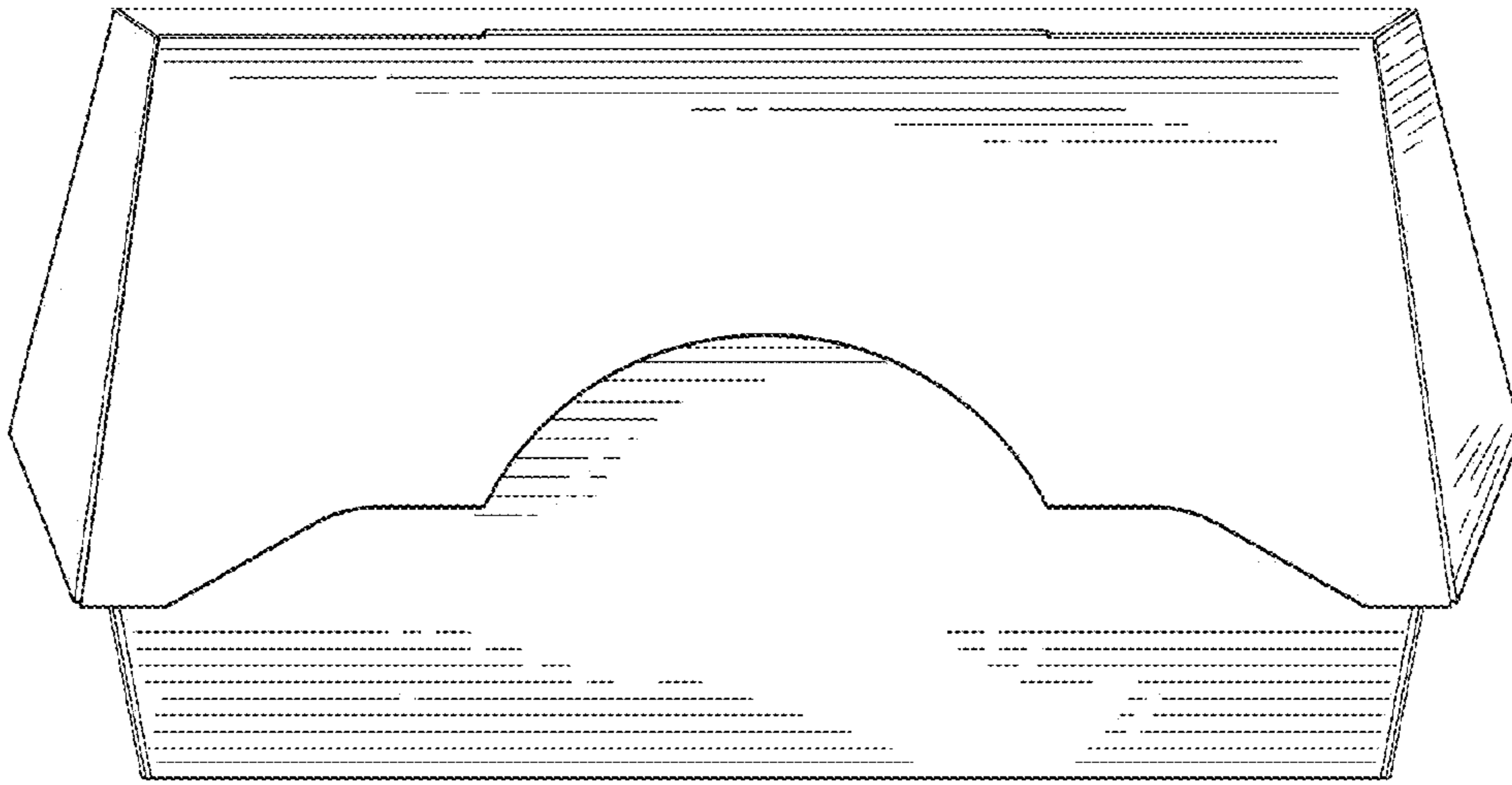


Fig. 3

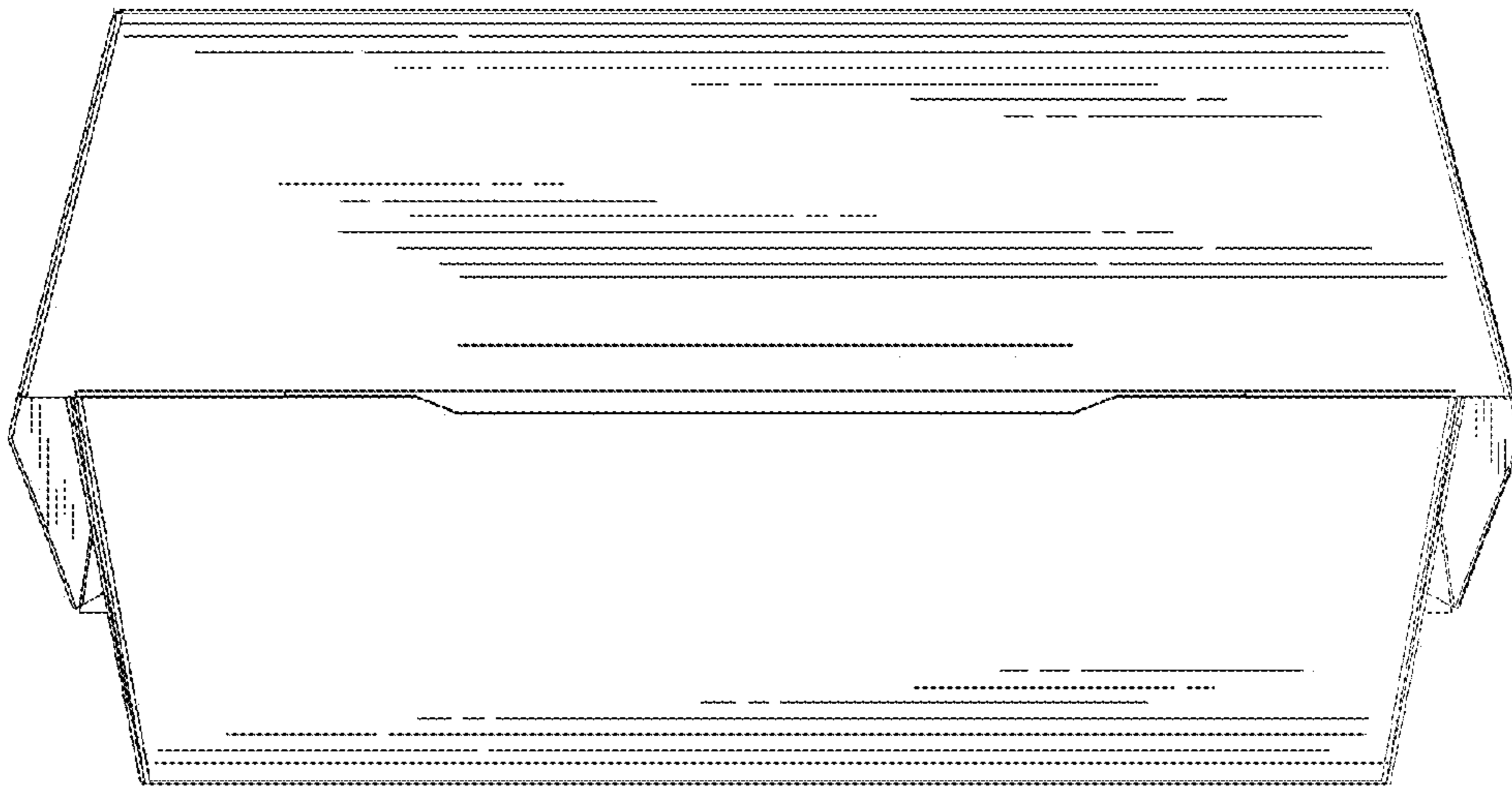


Fig. 4

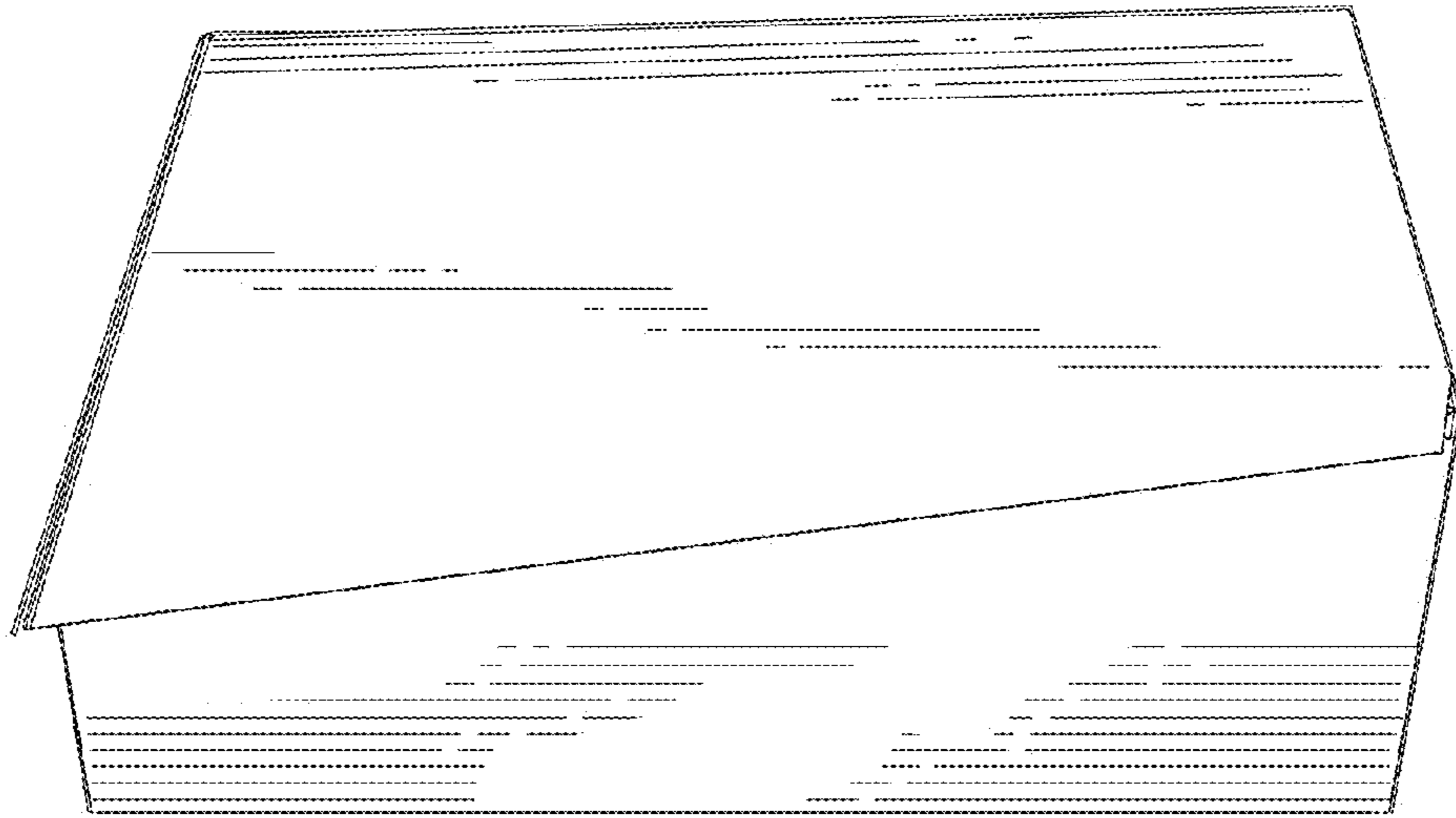


Fig. 5

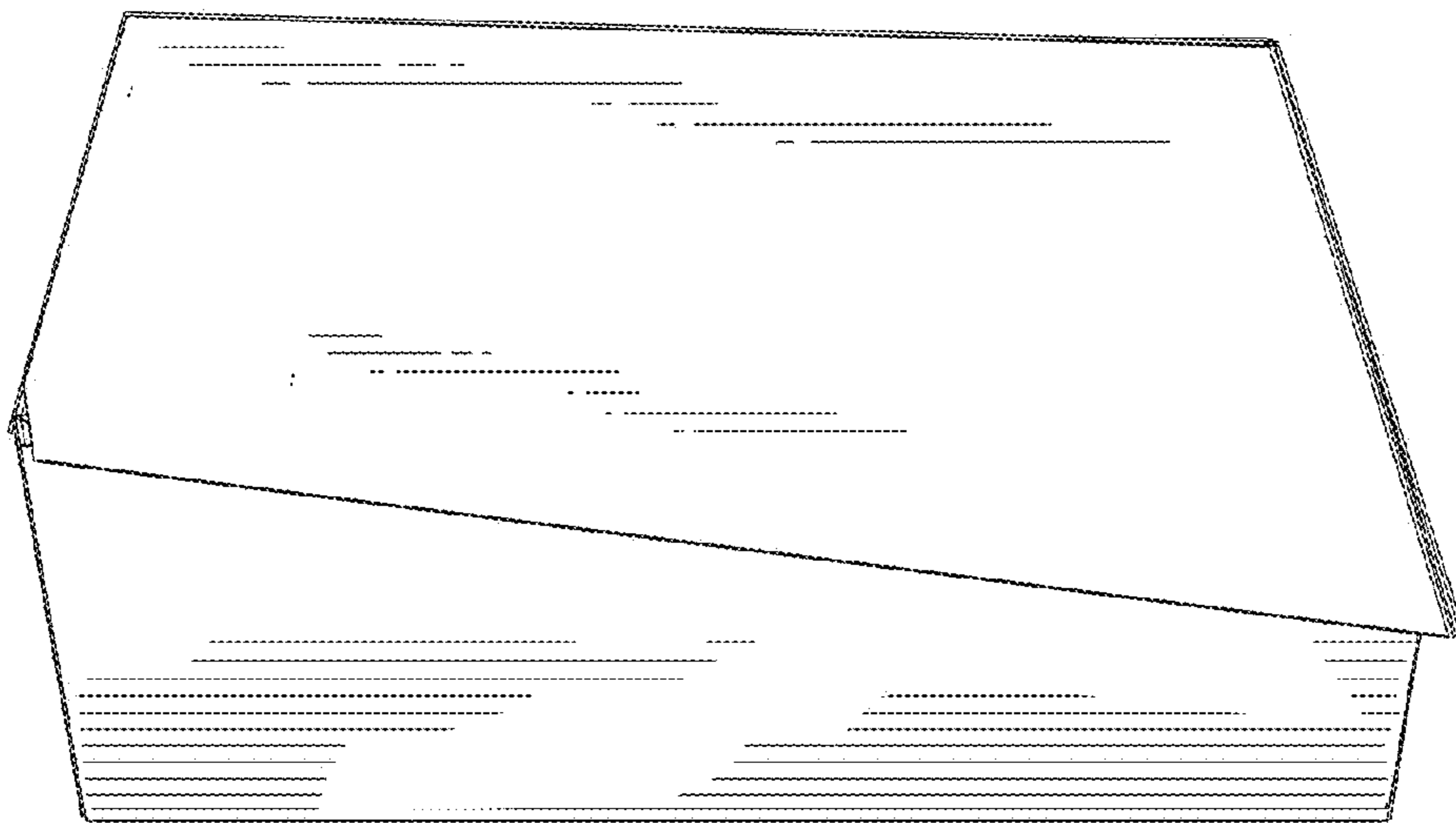


Fig. 6

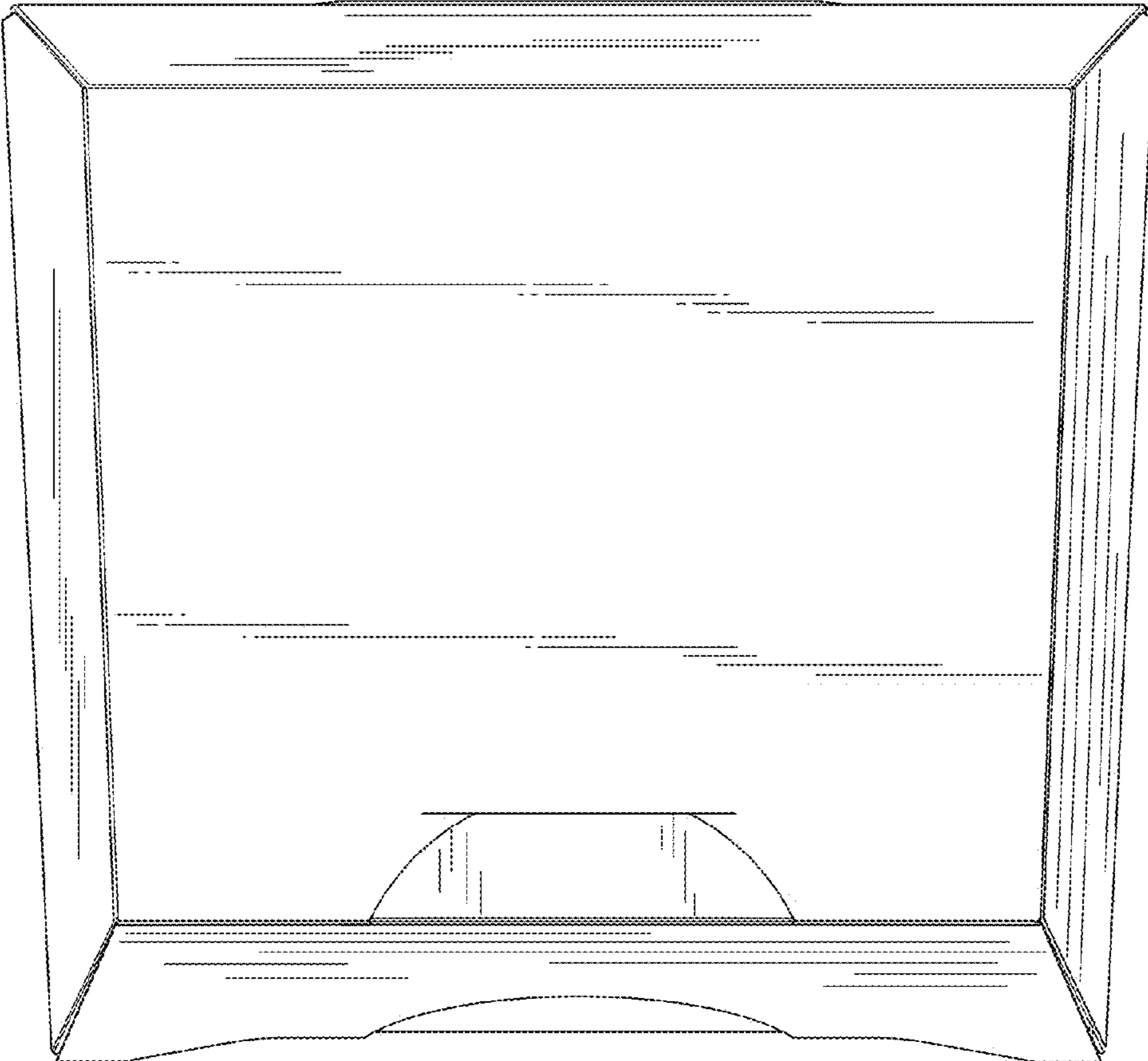


Fig. 7

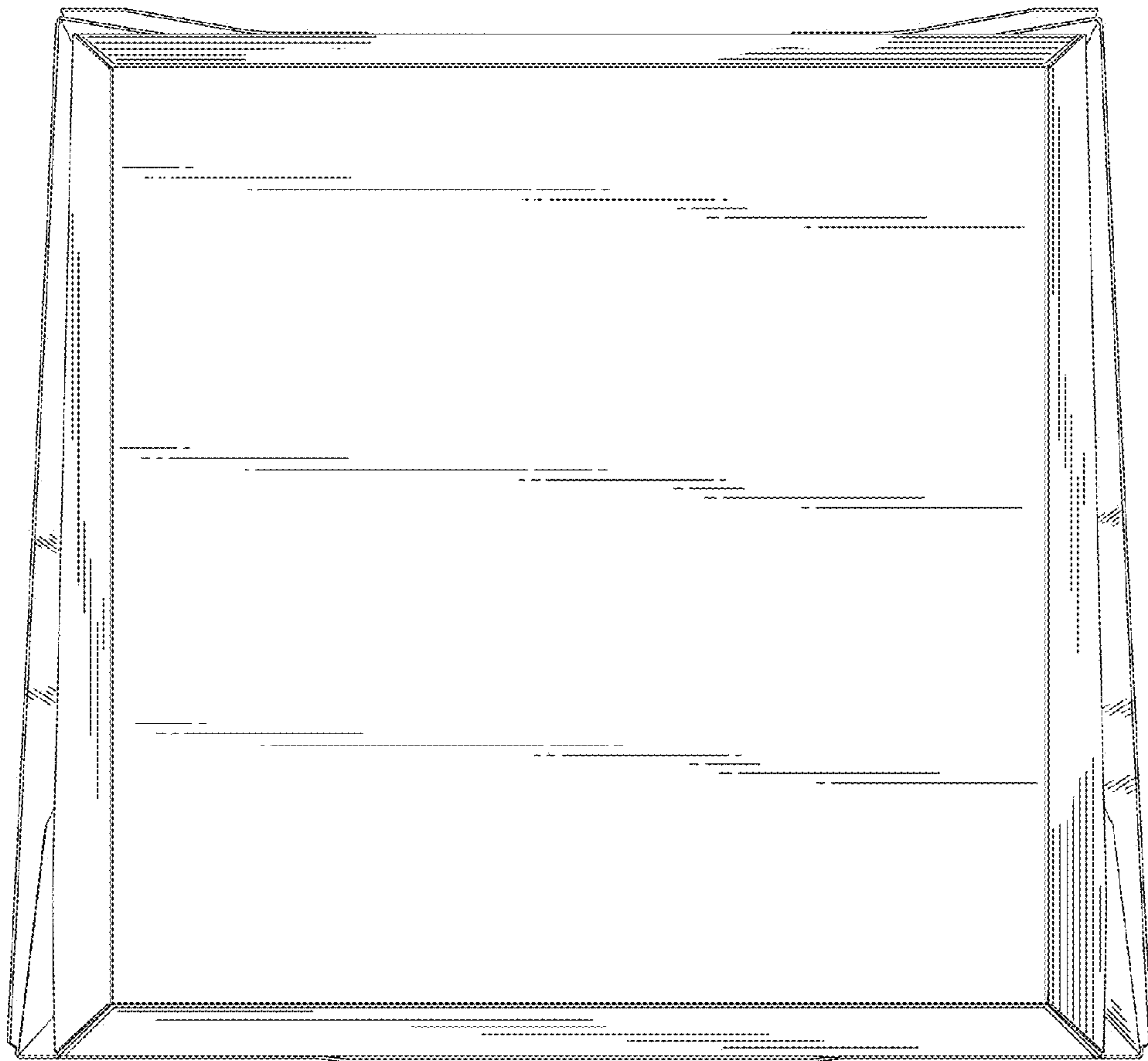


Fig. 8