



US00D753992S

(12) **United States Design Patent**
Shiffer et al.

(10) **Patent No.:** **US D753,992 S**
(45) **Date of Patent:** **** Apr. 19, 2016**

- (54) **CONTAINER**
- (71) Applicant: **Tech II, Inc.**, Springfield, OH (US)
- (72) Inventors: **Eric Shiffer**, North Lewisburg, OH (US); **Brandon Roberts**, Springfield, OH (US)
- (73) Assignee: **Tech II, Inc.**, Springfield, OH (US)
- (**) Term: **14 Years**
- (21) Appl. No.: **29/523,324**
- (22) Filed: **Apr. 8, 2015**
- (51) **LOC (10) Cl.** **09-03**
- (52) **U.S. Cl.**
USPC **D9/428; D9/425**
- (58) **Field of Classification Search**
USPC D9/424, 414, 418, 420-423, 425, 428, D9/429, 430, 432, 500, 502, 503; D3/273, D3/302; D7/500, 538, 601, 602, 609, 612, D7/615, 629; 206/205, 210, 216, 503, 508, 206/518, 519, 541, 557, 710, 723, 815, 822, 206/832; 220/618, 675, 676, 781, 786, 789, 220/790, 793, 796, 835; 229/905, 906, 925, 229/926, 400, 401, 403-407, 779
CPC A47J 36/06; A47J 47/14; B65D 1/22; B65D 1/34; B65D 1/40; B65D 1/165; B65D 15/02; B65D 21/083; B65D 21/0233; B65D 21/0234; B65D 43/162; B65D 71/50; B65D 77/24; B65D 77/245; B65D 81/3869; B65D 2534/00046; B65D 2534/00083; B65D 2534/00092; B65D 2534/00296; B65D 3/06; B65D 3/28; B65D 5/4204; B65D 7/46; B65D 85/34; B21D 51/18; B21D 51/2646; A45C 11/16
See application file for complete search history.

Primary Examiner — Cathron Brooks
Assistant Examiner — Teddy Falloway
(74) *Attorney, Agent, or Firm* — Maginot, Moore & Beck LLP

(57) **CLAIM**
The ornamental design for a container, as shown and described.

DESCRIPTION

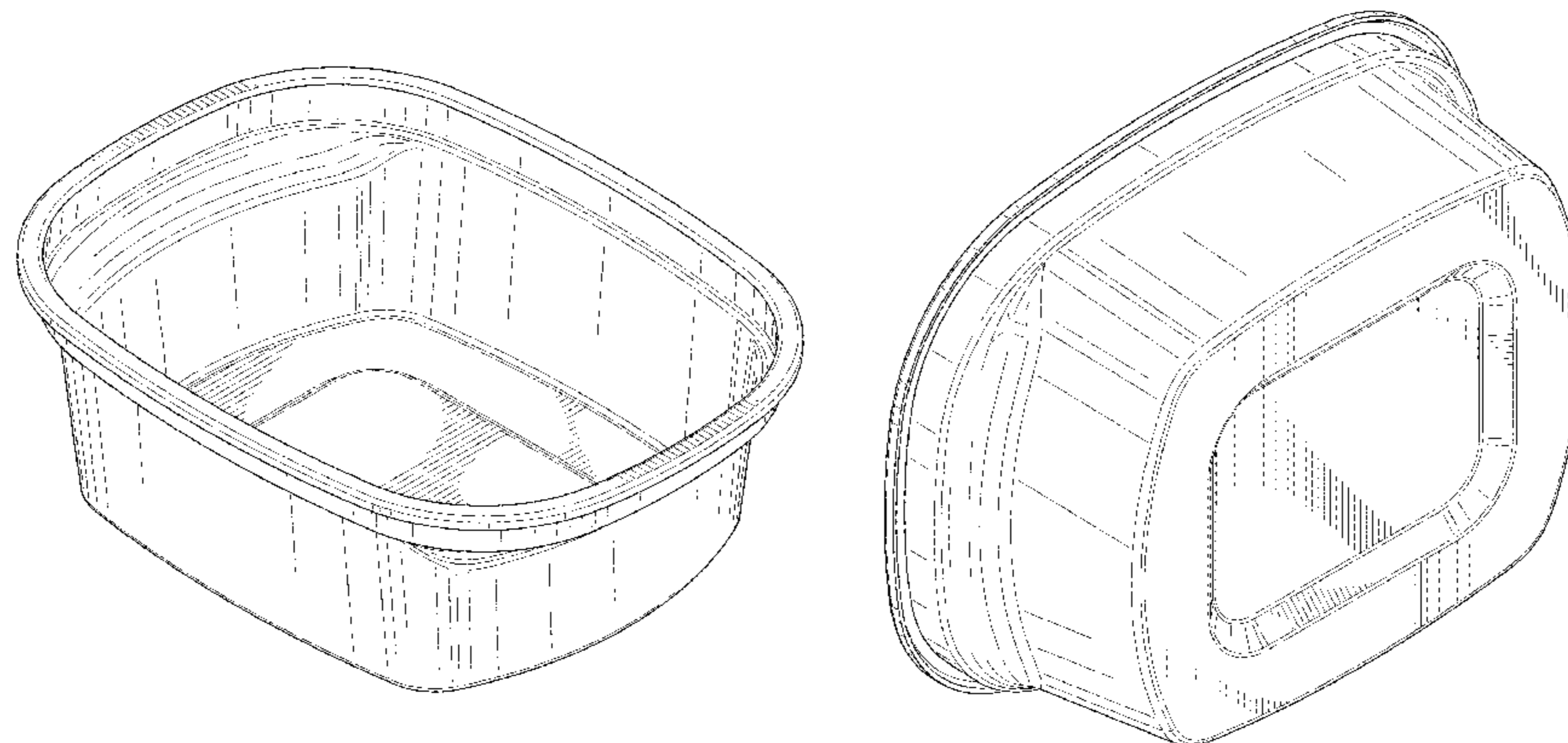
FIG. 1 is a top perspective view of a first embodiment of a container showing our new design;
FIG. 2 is a bottom perspective view showing the design for the container of FIG. 1;
FIG. 3 is a front elevational view showing the design for the container of FIG. 1;
FIG. 4 is a rear elevational view showing the design for the container of FIG. 1;
FIG. 5 is a left side elevational view showing the design for the container of FIG. 1;
FIG. 6 is a right side elevational view showing the design for the container of FIG. 1;
FIG. 7 is a top plan view showing the design for the container of FIG. 1; and
FIG. 8 is a bottom plan view showing the design for the container of FIG. 1.
FIG. 9 is a top perspective view of a second embodiment of a container showing our new design;
FIG. 10 is a bottom perspective view showing the design for the container of FIG. 9;
FIG. 11 is a front elevational view showing the design for the container of FIG. 9;
FIG. 12 is a rear elevational view showing the design for the container of FIG. 9;
FIG. 13 is a left side elevational view showing the design for the container of FIG. 9;
FIG. 14 is a right side elevational view showing the design for the container of FIG. 9;
FIG. 15 is a top plan view showing the design for the container of FIG. 9; and
FIG. 16 is a bottom plan view showing the design for the container of FIG. 9.
The broken lines shown in FIGS. 9-16 illustrate portions of the container that form no part of the claimed design.

(56) **References Cited**
U.S. PATENT DOCUMENTS

- D212,594 S * 11/1968 Collie D9/425
- D213,310 S * 2/1969 Collie D9/425

(Continued)

1 Claim, 10 Drawing Sheets



(56)

References Cited

U.S. PATENT DOCUMENTS

D246,288 S *	11/1977	Boucher	D7/359	D628,470 S *	12/2010	Golota	D9/425
D287,559 S *	1/1987	Daenen	D7/586	D628,473 S *	12/2010	Golota	D9/425
D288,063 S *	2/1987	Tyler	D9/425	D643,251 S *	8/2011	Stamper	D7/602
D316,513 S *	4/1991	Wolff	D9/424	D643,711 S *	8/2011	Samartgis	D9/424
D319,978 S *	9/1991	Wolff	D7/586	D643,712 S *	8/2011	Samartgis	D9/424
D350,669 S *	9/1994	Conti	D7/354	D646,160 S *	10/2011	Shiffer	D9/425
D392,881 S *	3/1998	Bulcher	D7/602	D649,839 S *	12/2011	Stamper	D7/602
D420,859 S *	2/2000	Loew	D7/602	D672,204 S *	12/2012	Stamper	D7/602
D439,159 S *	3/2001	Chen	D9/425	D675,919 S *	2/2013	Krueger	D9/432
D495,597 S *	9/2004	Rubalcava	D9/424	D679,587 S *	4/2013	Krueger	D9/432
D533,080 S *	12/2006	Darin	D7/602	D681,451 S *	5/2013	Kui	D9/432
D540,192 S *	4/2007	Darin	D7/602	D700,480 S *	3/2014	Yessin	D7/602
D548,588 S *	8/2007	Bouveret	D9/428	D716,613 S *	11/2014	Carlson	D7/602
D611,807 S *	3/2010	Miga, Jr.	D9/424	D717,120 S *	11/2014	Carlson	D7/602
					D717,121 S *	11/2014	Carlson	D7/602
					D741,166 S *	10/2015	Tyberghein	D9/425

* cited by examiner

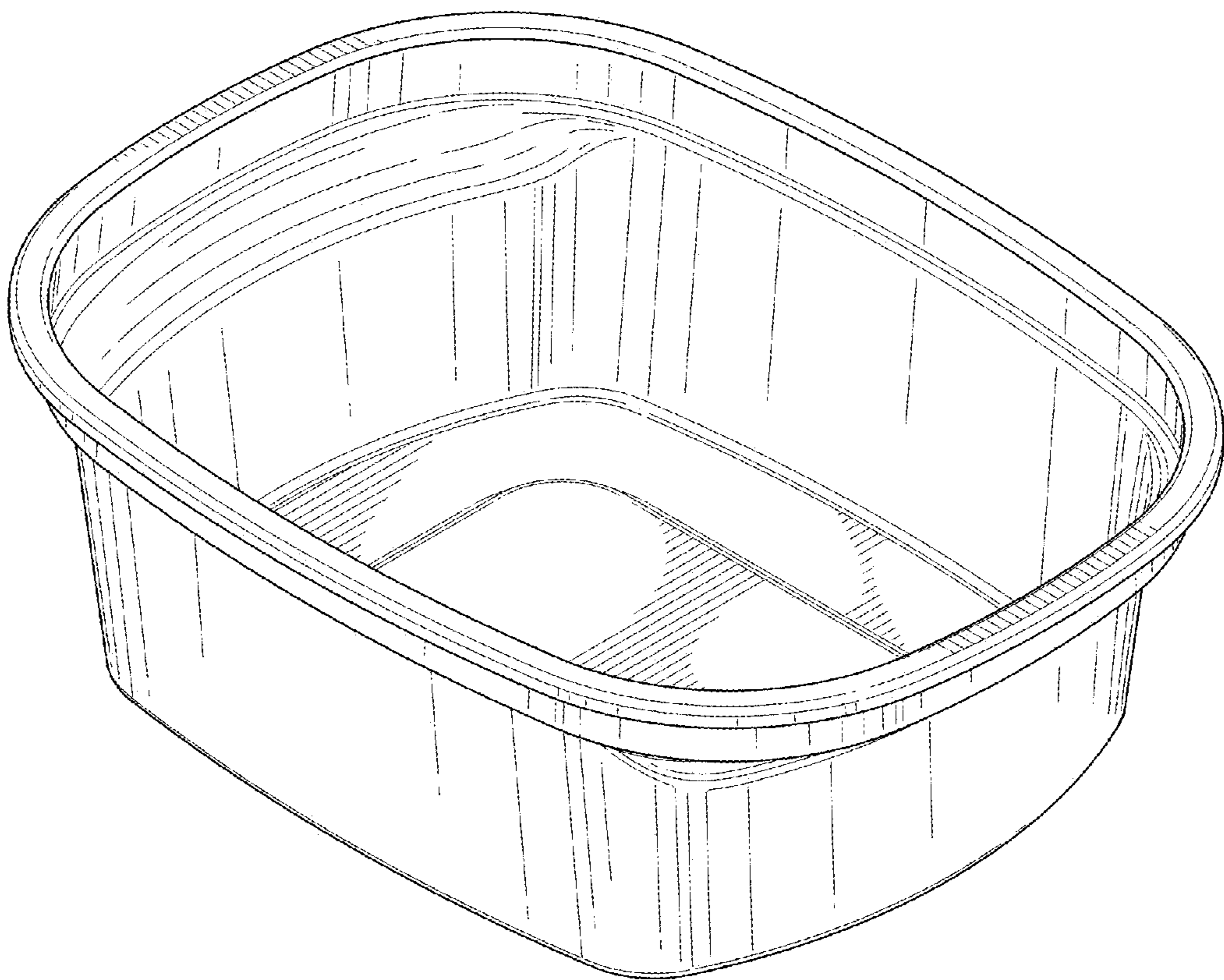


FIG. 1

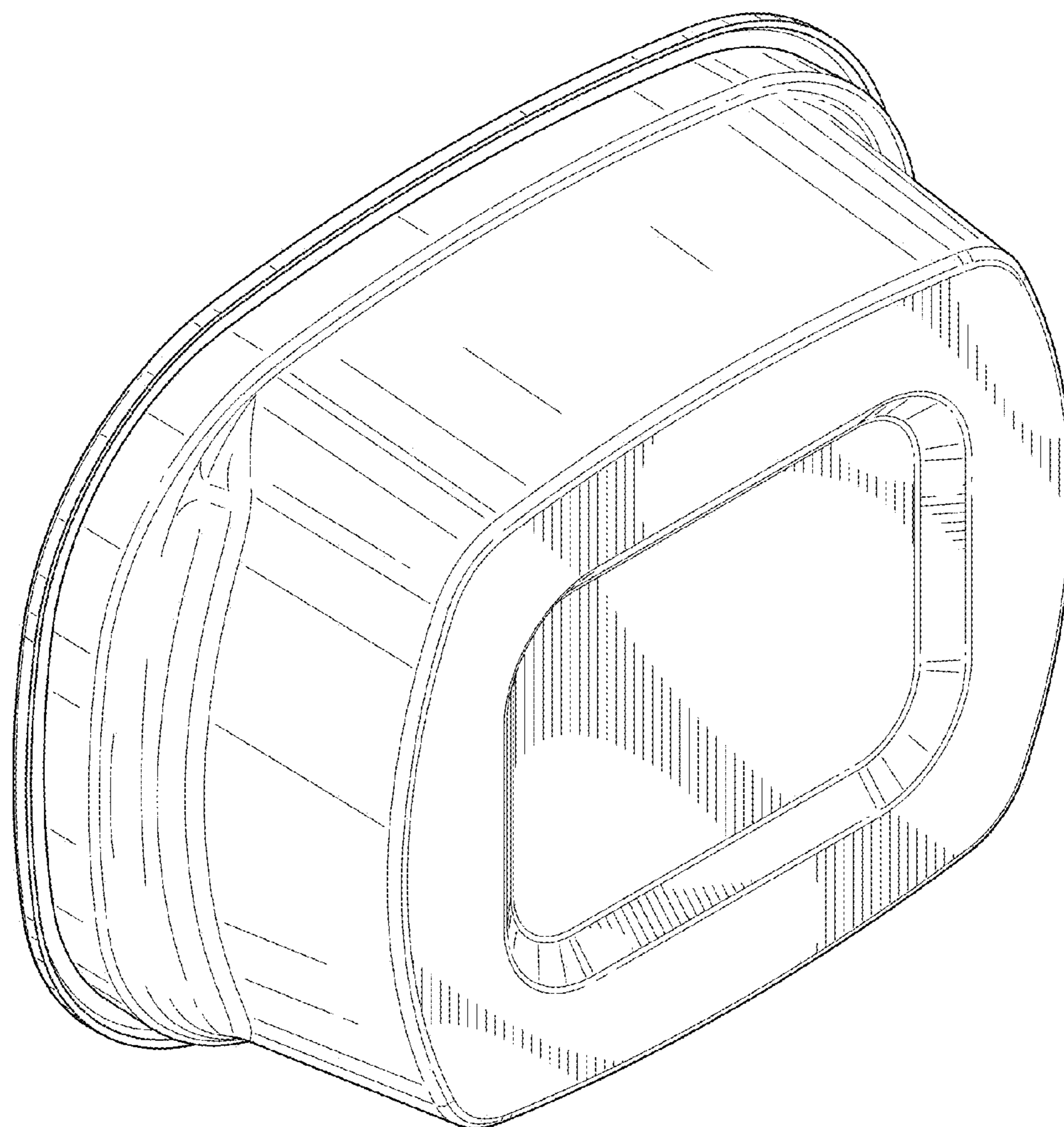


FIG. 2

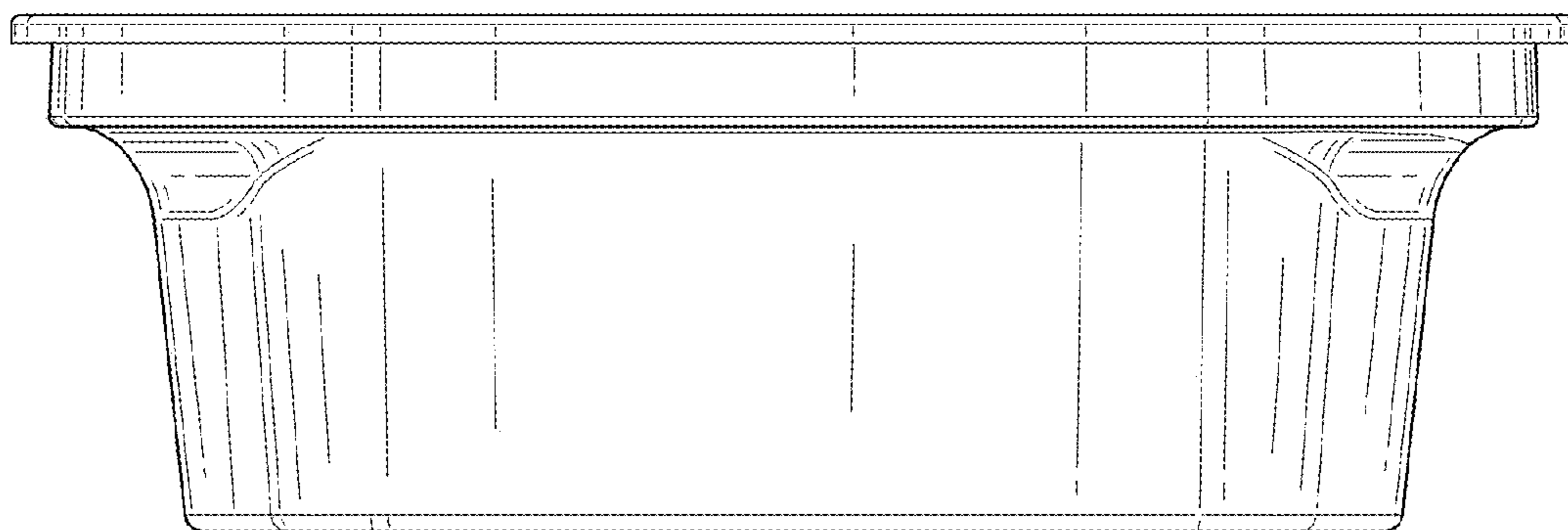


FIG. 3

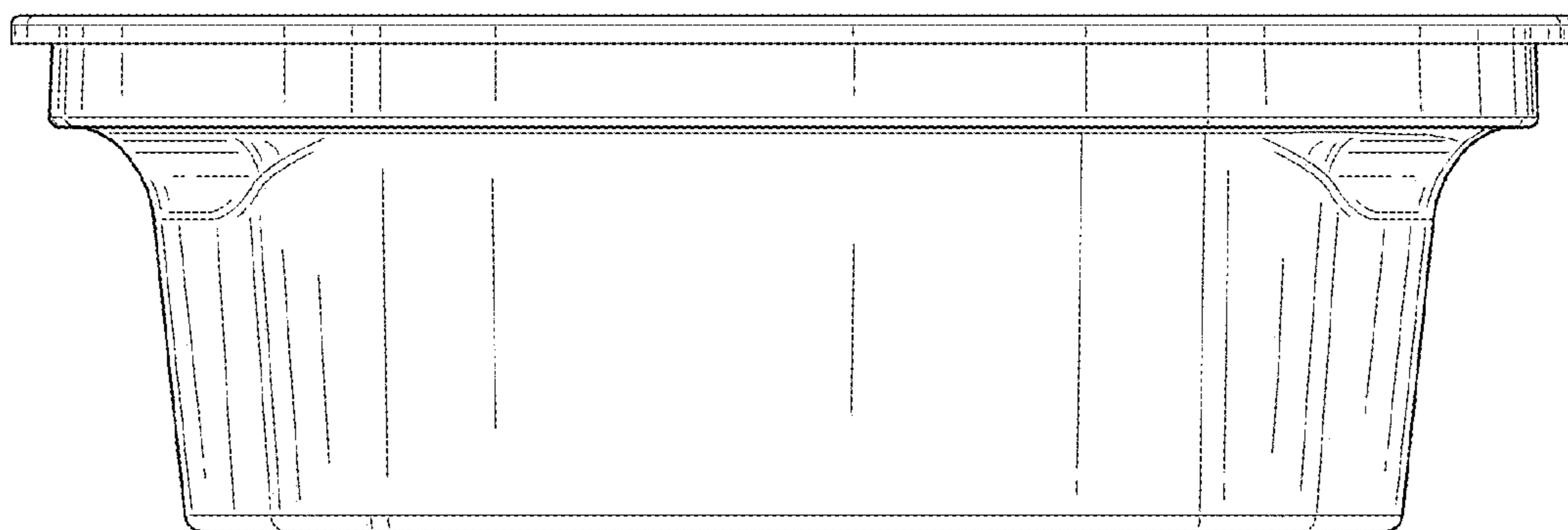


FIG. 4

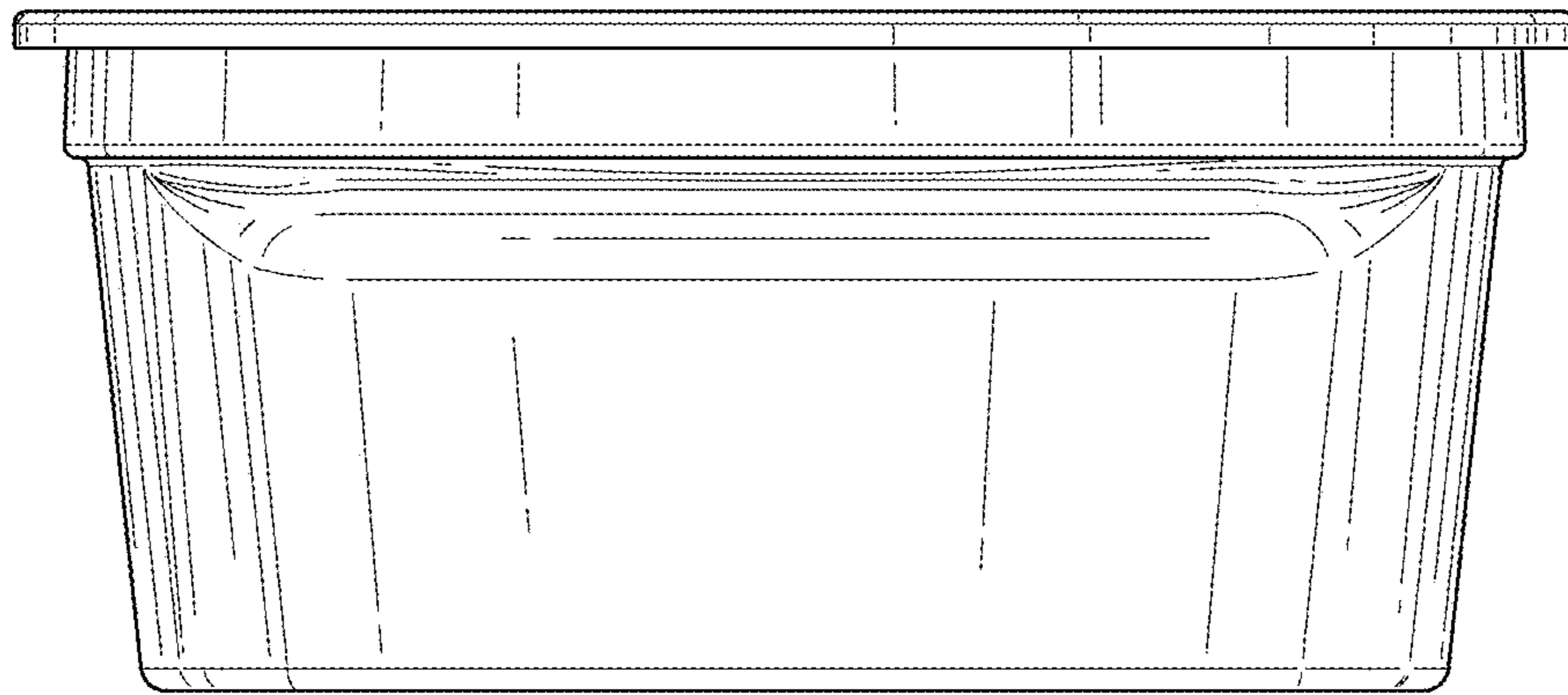


FIG. 5

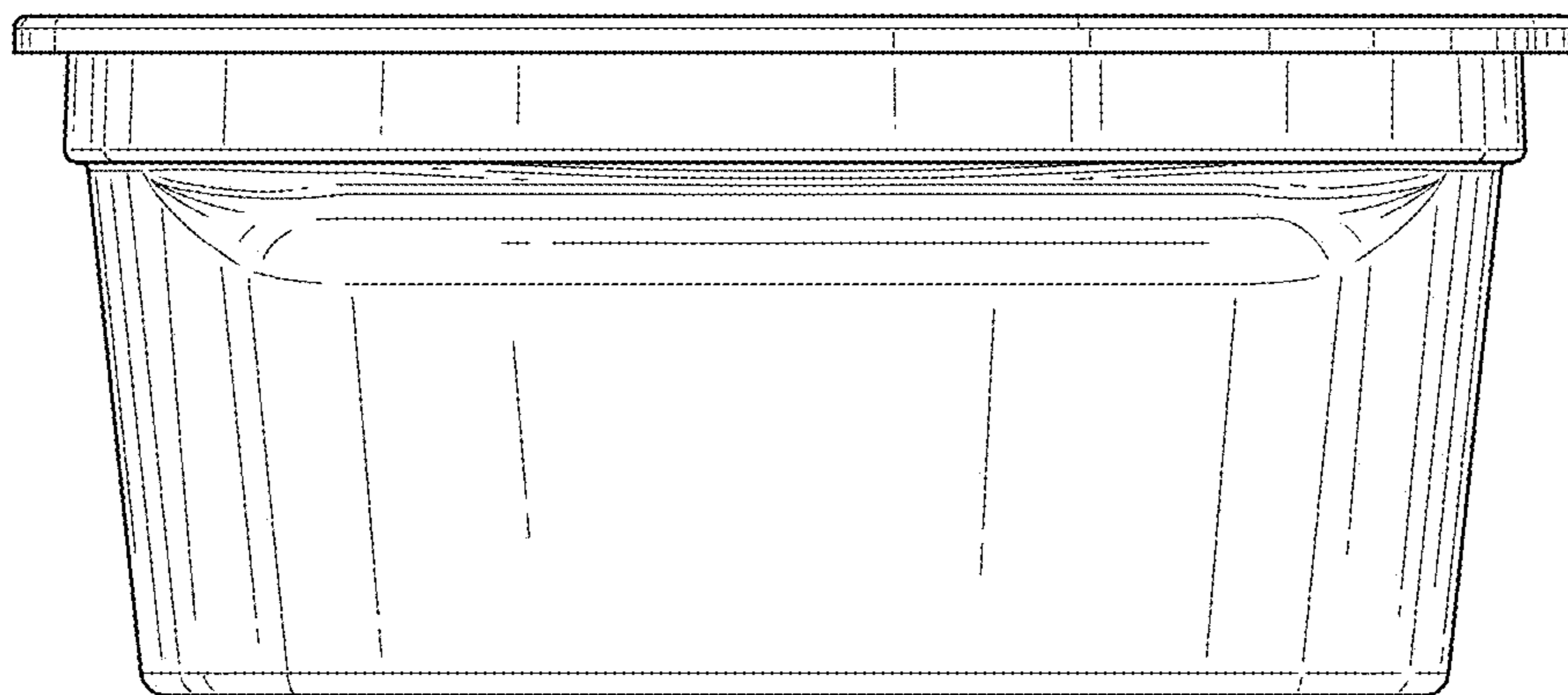


FIG. 6

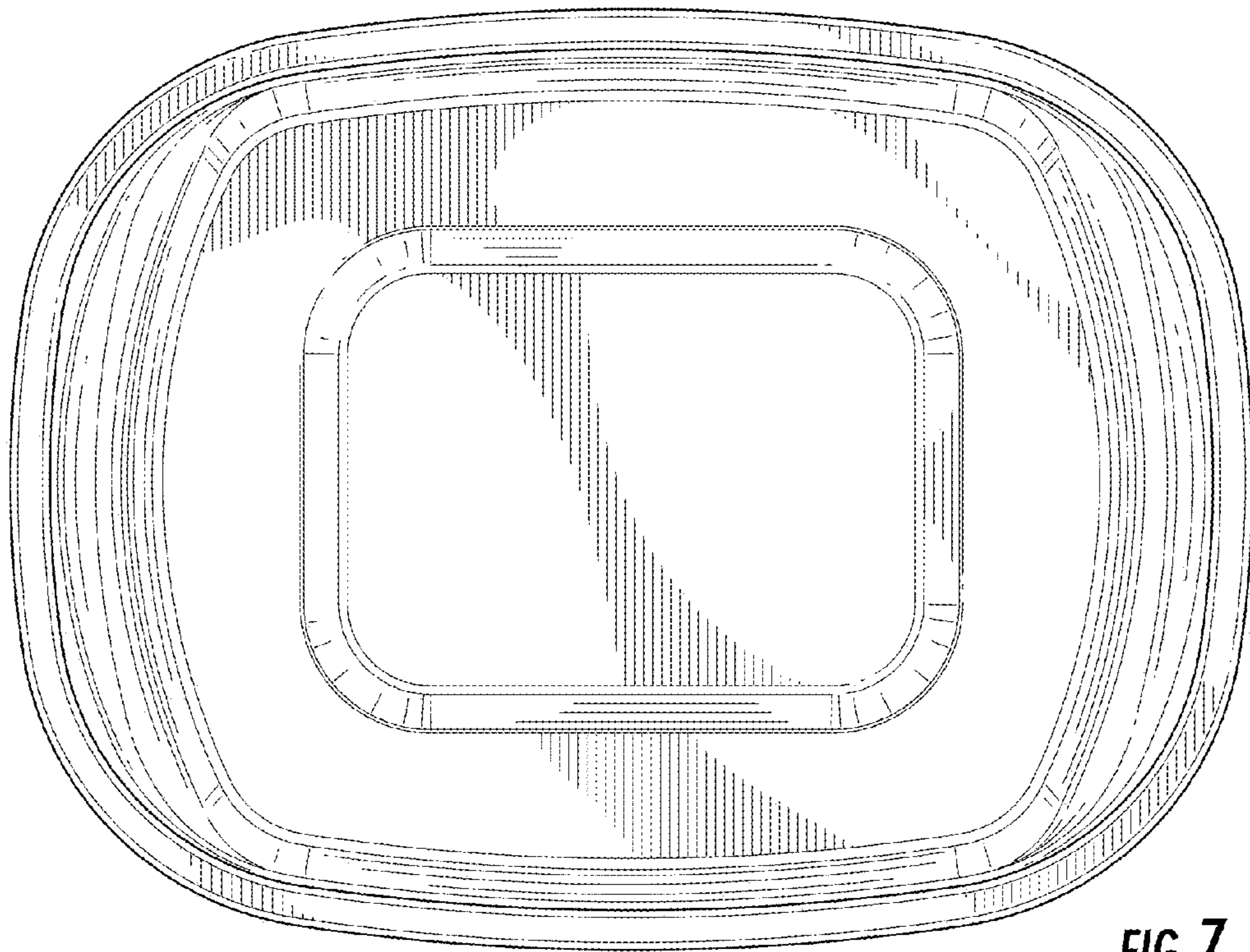


FIG. 7

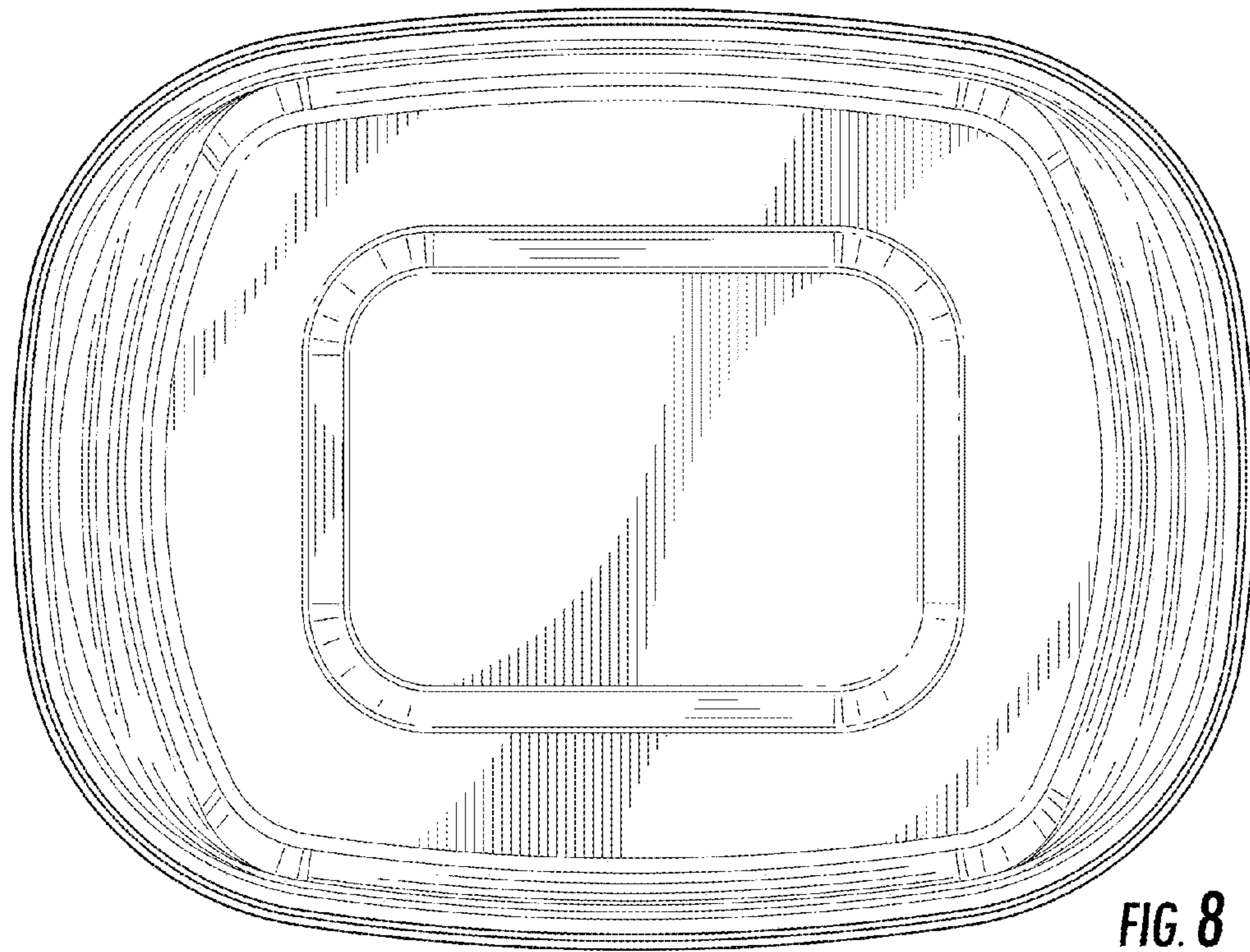


FIG. 8

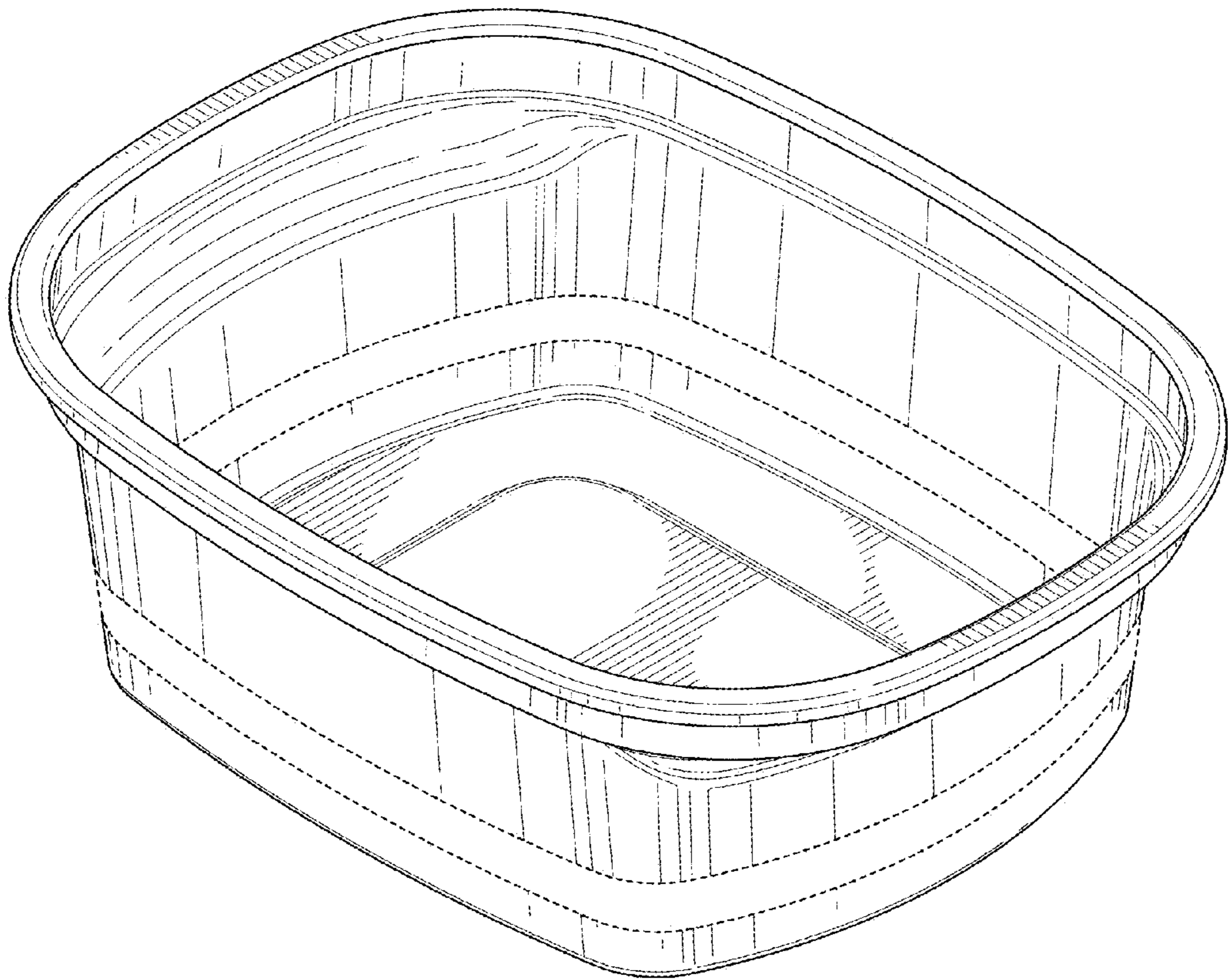


FIG. 9

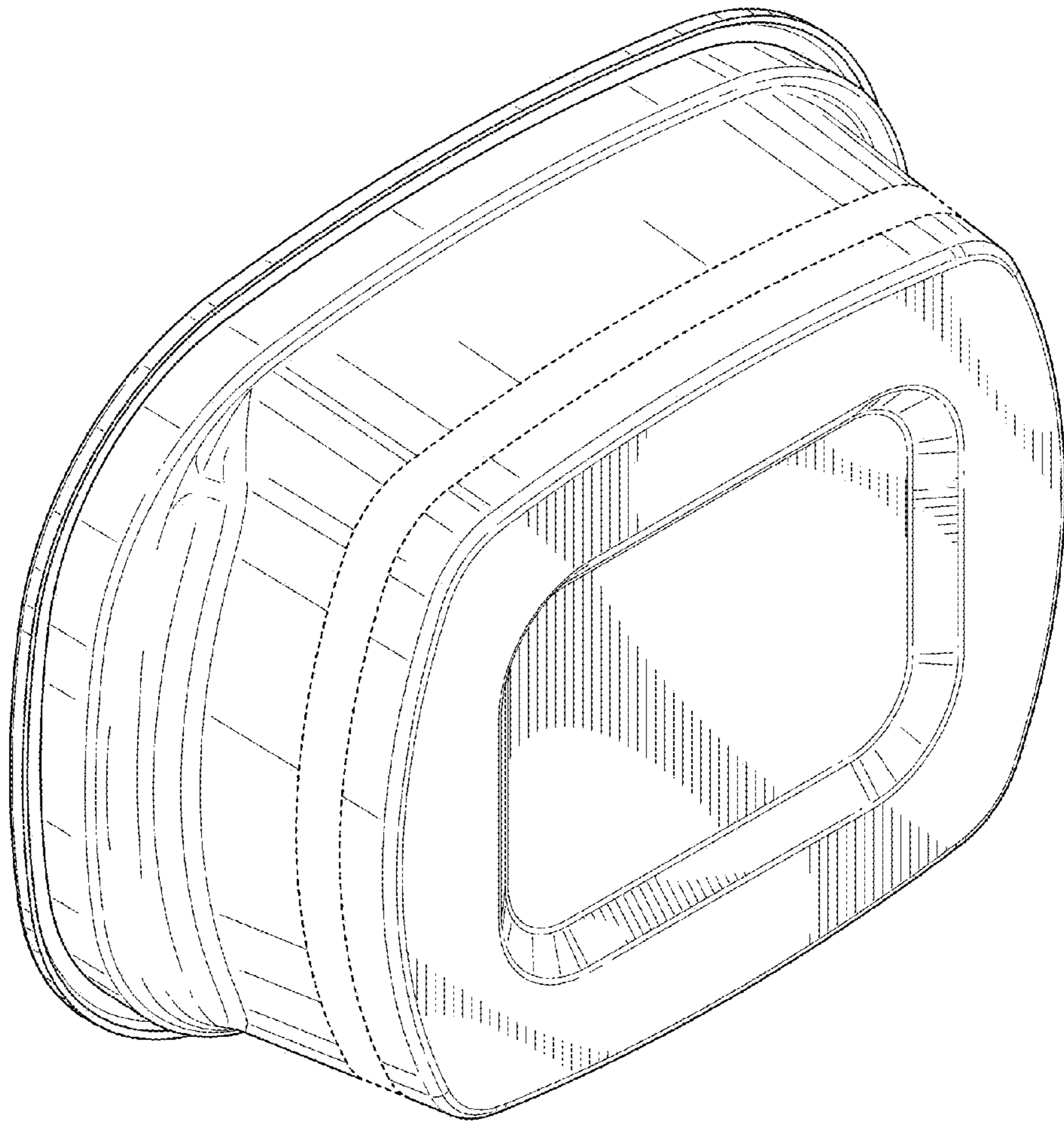


FIG. 10

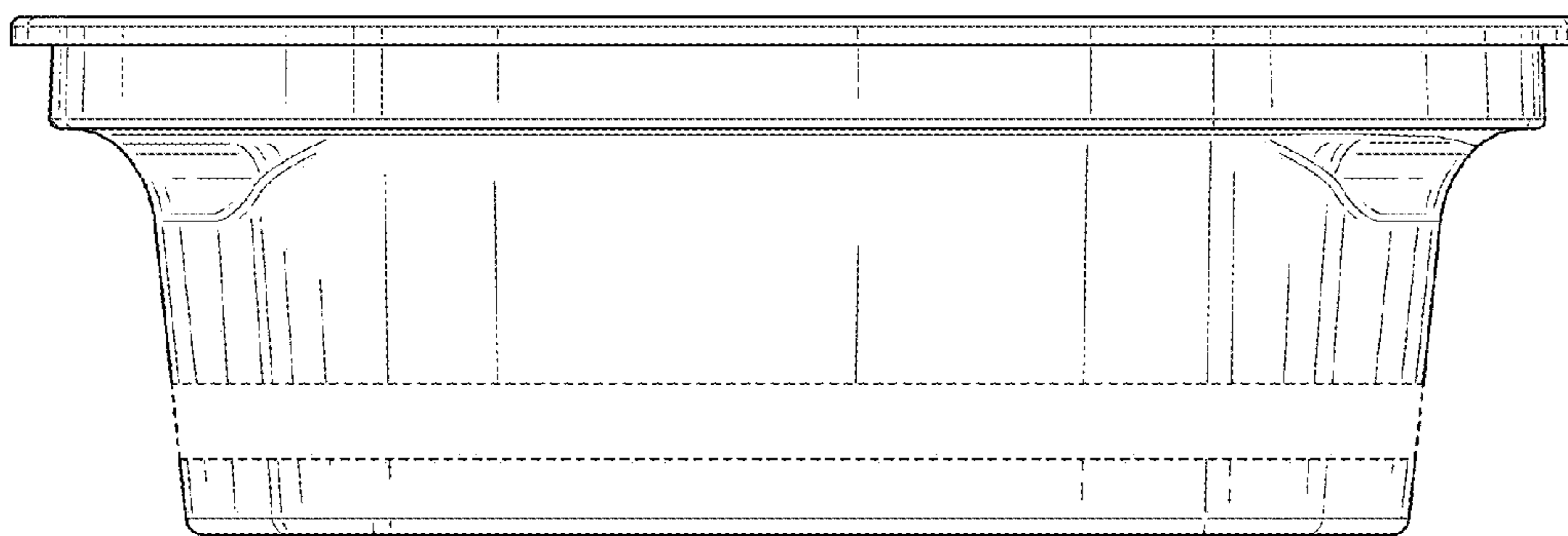


FIG. 11

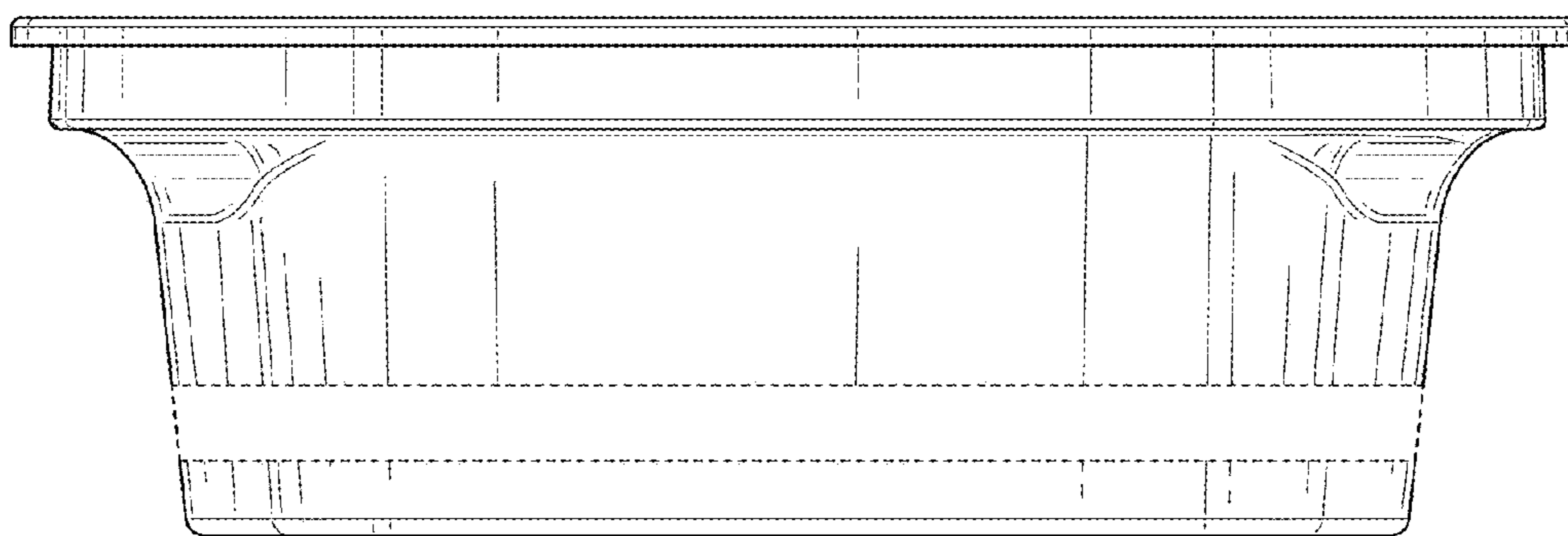


FIG. 12

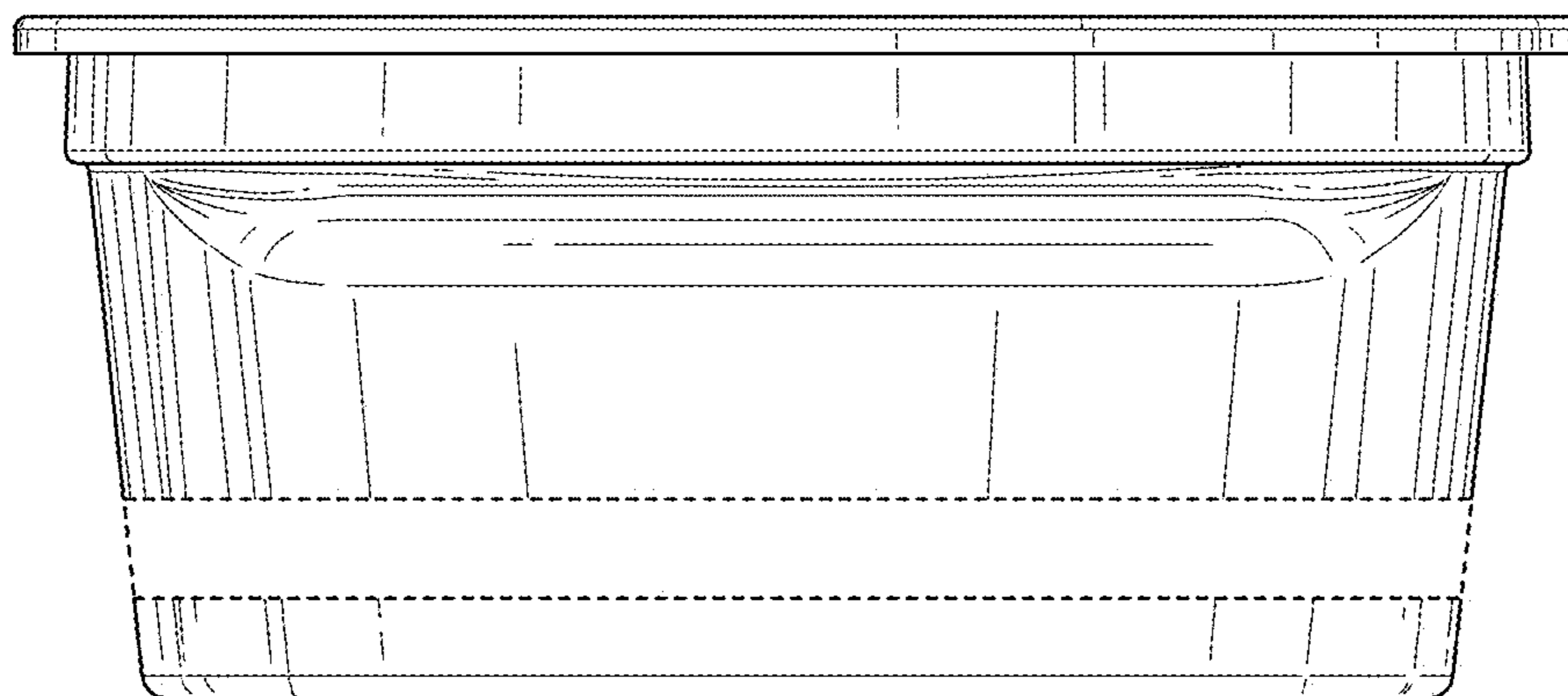


FIG. 13

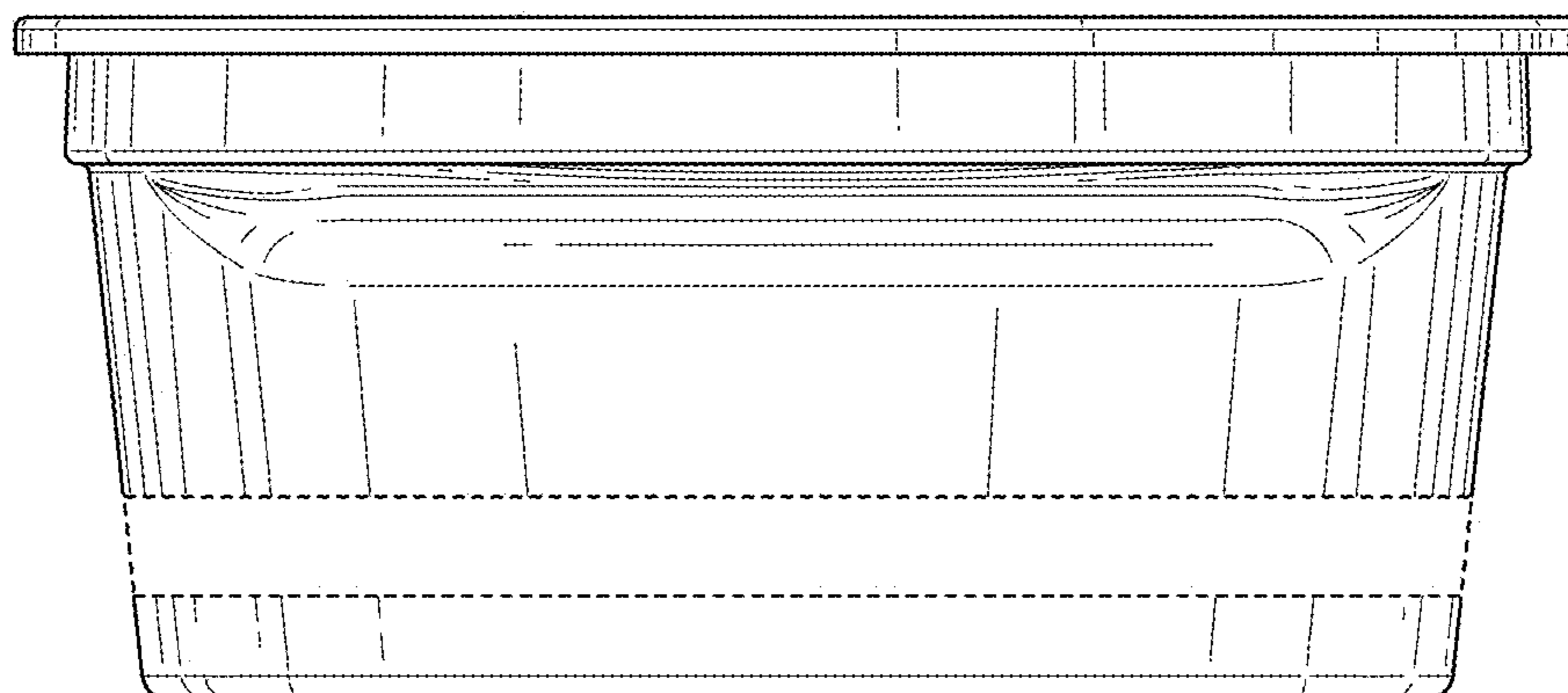


FIG. 14

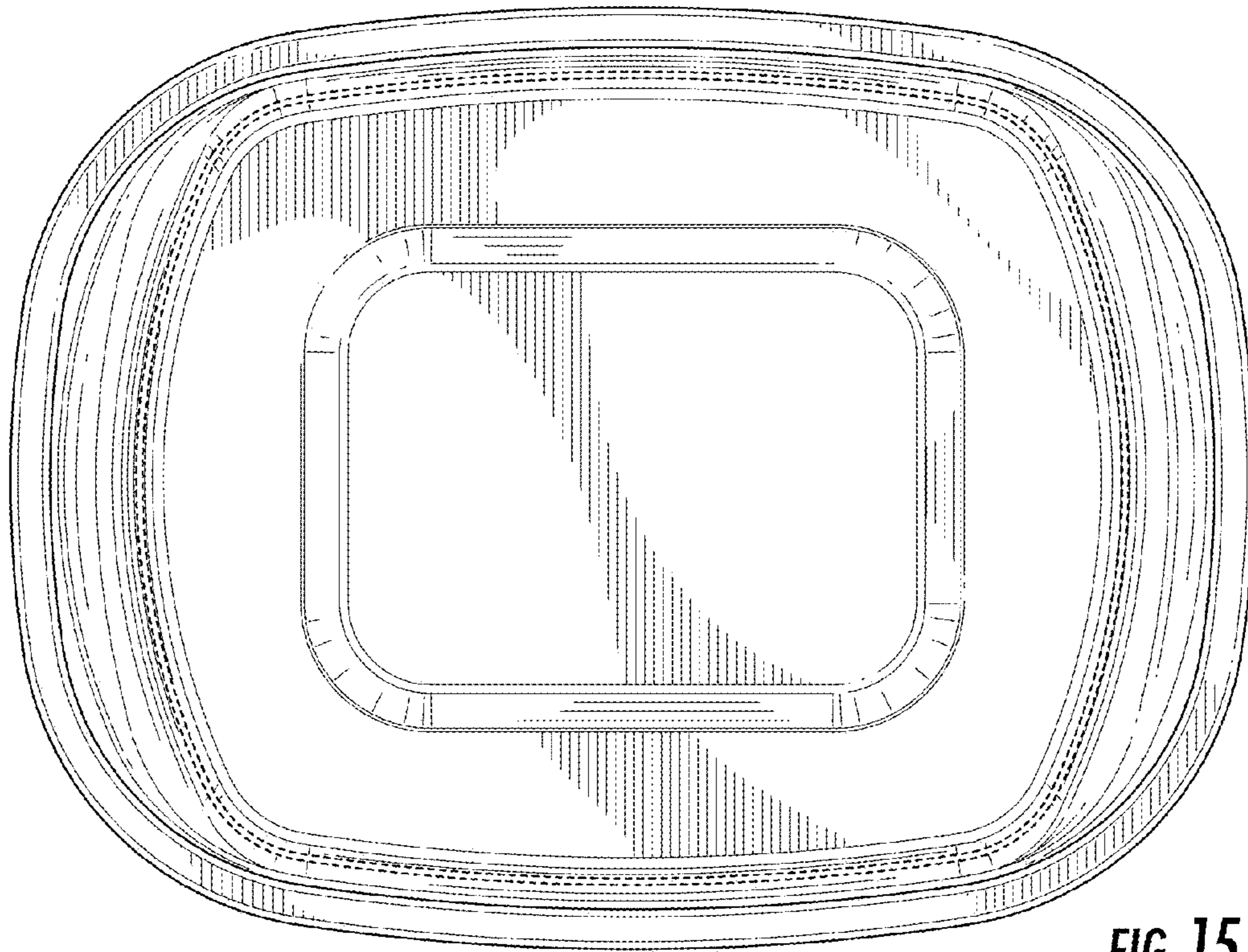


FIG. 15

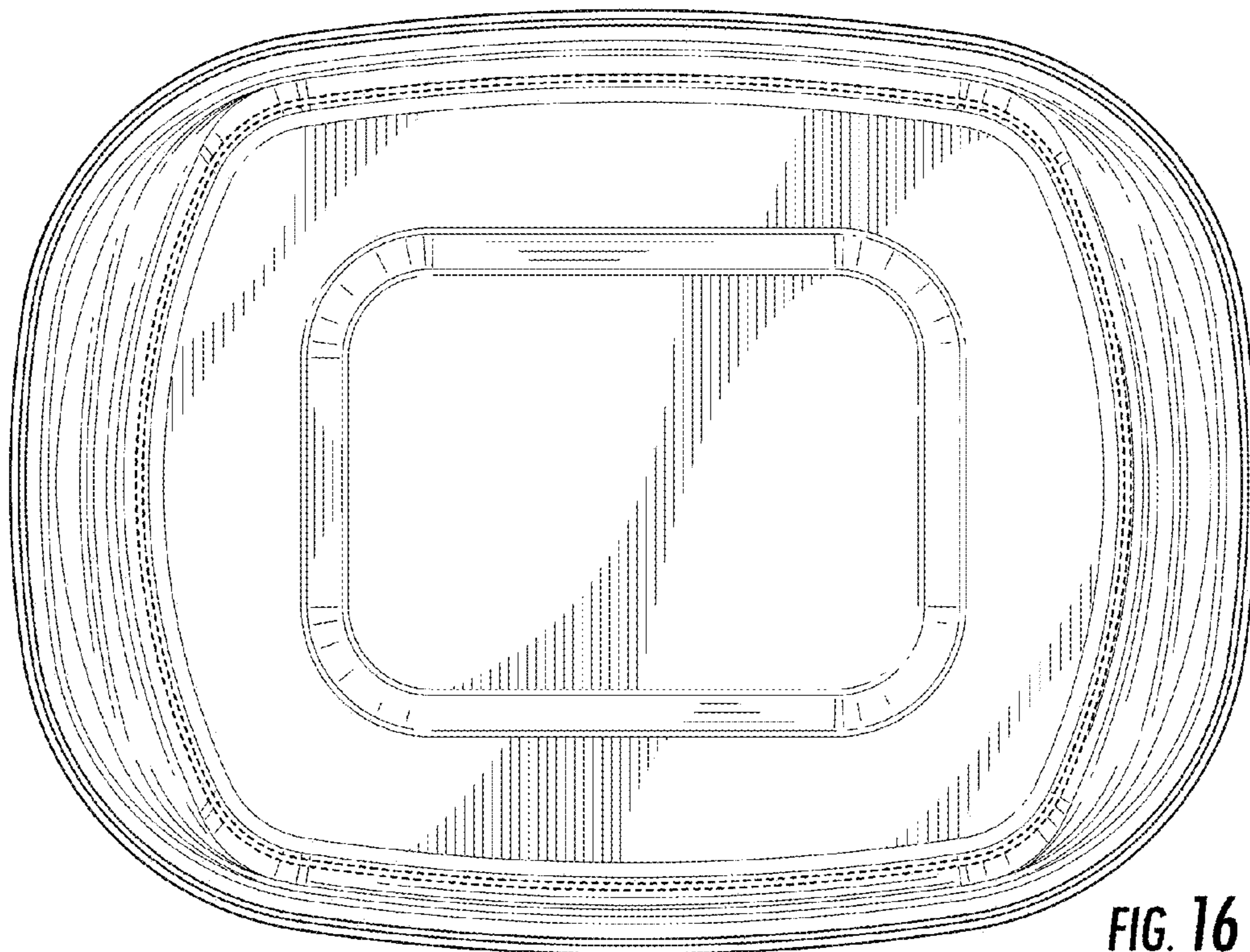


FIG. 16