

US00D753991S

(12) **United States Design Patent**
Pan

(10) **Patent No.:** **US D753,991 S**
(45) **Date of Patent:** **** Apr. 19, 2016**

(54) **CLIP**

(71) Applicant: **3M INNOVATIVE PROPERTIES COMPANY**, St. Paul, MN (US)

(72) Inventor: **Angela L. Pan**, Woodbury, MN (US)

(73) Assignee: **3M INNOVATIVE PROPERTIES COMPANY**, St. Paul, MN (US)

(**) Term: **14 Years**

(21) Appl. No.: **29/475,492**

(22) Filed: **Dec. 3, 2013**

(51) **LOC (10) Cl.** **08-08**

(52) **U.S. Cl.**
USPC **D8/395**

(58) **Field of Classification Search**
USPC D8/394-396, 71-74, 499, 354-355;
D19/65, 195
CPC D06F 55/00; A41B 3/08; A41F 15/02;
F16B 19/1081; G09F 3/14; B42F 1/006;
B42F 1/08; B42F 9/001; A47F 7/02
See application file for complete search history.

(56) **References Cited**

U.S. PATENT DOCUMENTS

D50,060	S	*	12/1916	Fuller	D19/65
1,566,525	A	*	12/1925	Deslibes	24/67.3
D229,033	S	*	11/1973	Cooper	D8/395
D267,810	S		2/1983	Orsos		
4,684,154	A	*	8/1987	Hayman et al.	462/78
D314,015	S	*	1/1991	Hickman, Sr.	D20/27
D315,675	S		3/1991	Kennedy		
D315,864	S	*	4/1991	Embree et al.	D8/395
5,079,808	A	*	1/1992	Brown	24/67.7
D349,398	S		8/1994	Ezzo		
D363,453	S		10/1995	Herdt		
5,765,721	A	*	6/1998	Vance	221/259
D400,466	S		11/1998	Gleason		

D406,168	S	*	2/1999	Wolff	D19/65
D412,343	S	*	7/1999	Offenhauer	D19/65
D440,148	S	*	4/2001	Kan	D8/395
D453,294	S		2/2002	Bitzer		

(Continued)

FOREIGN PATENT DOCUMENTS

CN	300961365	*	7/2009
CN	302008198	*	7/2012

(Continued)

OTHER PUBLICATIONS

Amazon.com: totalElement Magnetic Clips, All-Purpose, reviews 2015, http://www.amazon.com/. . . rpose-Translucent-5-Pack/dp/B00TXQ38L0/ref=sr_1_17?ie=UTF8&qid=1433809815&sr=8-17-spons&keywords=bag+clips#customerReviews, [site visited Jun. 8, 2015 8:32:27 PM].*

(Continued)

Primary Examiner — John Windmuller
Assistant Examiner — John R Yeh
(74) *Attorney, Agent, or Firm* — Irina Hass

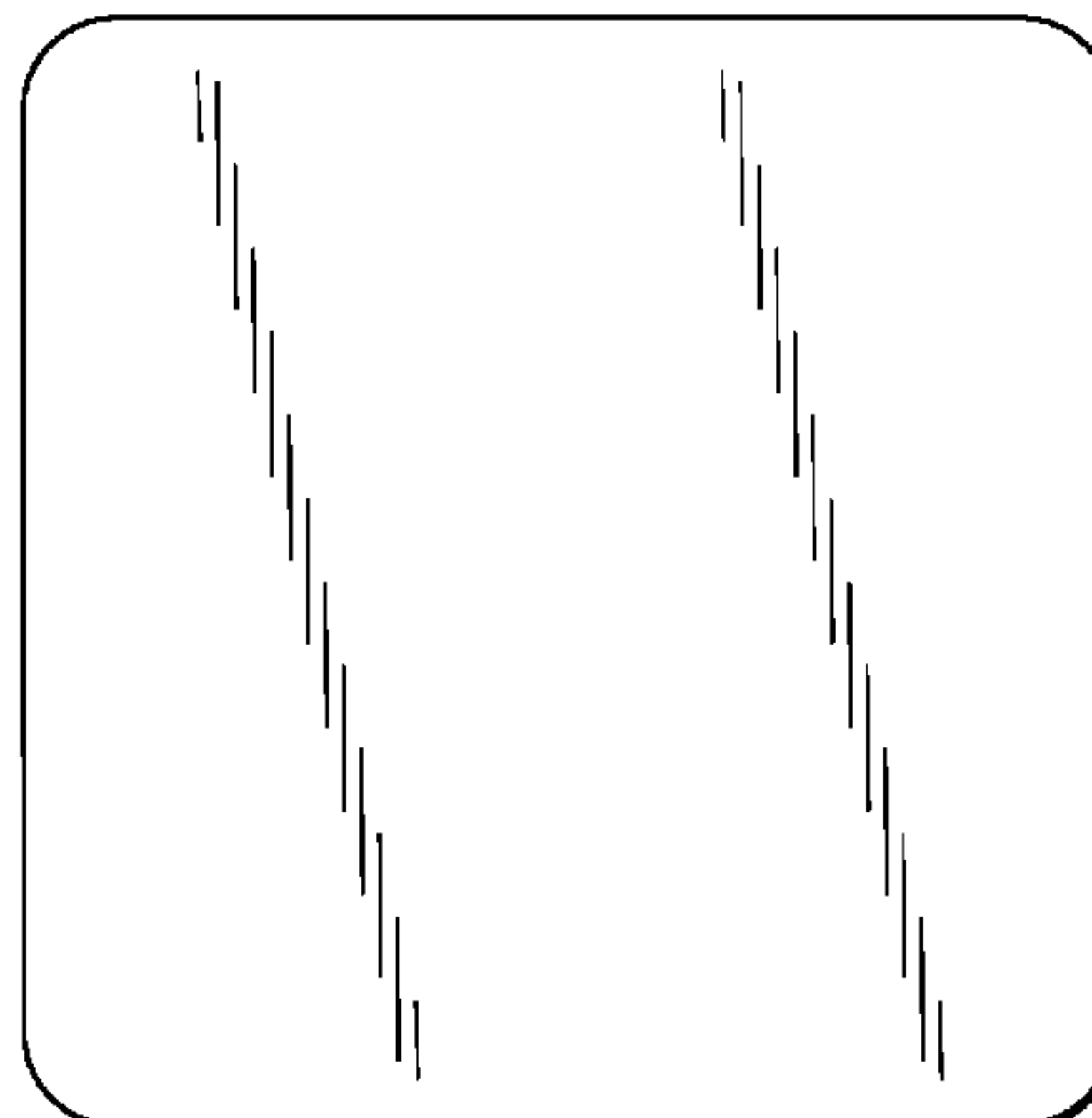
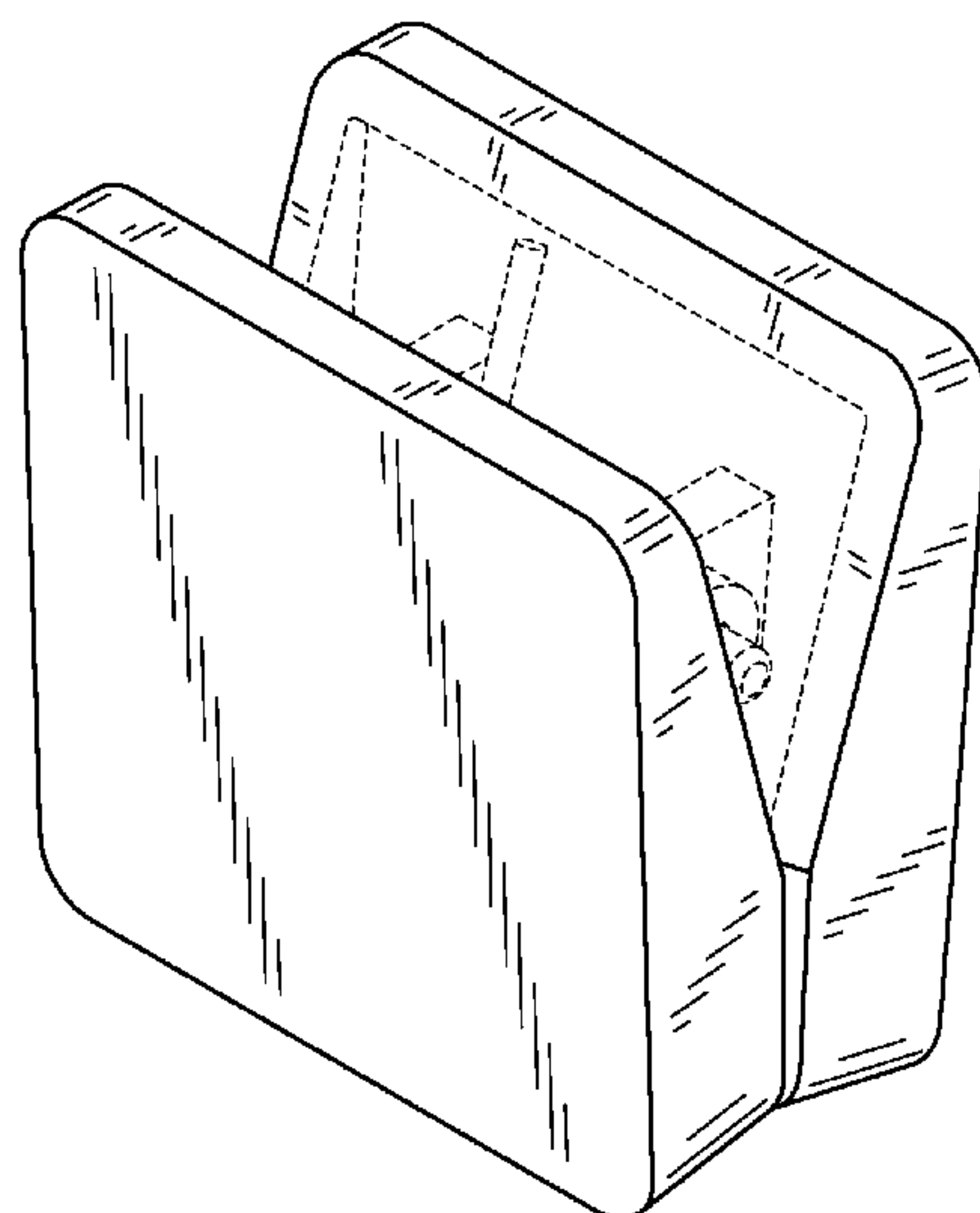
(57) **CLAIM**

The ornamental design for a clip, as shown and described.

DESCRIPTION

FIG. 1 is a perspective view of a clip showing the new design; FIG. 2 is a front view thereof, a rear view being a mirror image thereof; FIG. 3 is a top view thereof; FIG. 4 is a bottom view thereof; FIG. 5 is a right side view thereof; and, FIG. 6 is a left side view thereof. The portions of the clip in FIGS. 1, 3, 5, and 6 shown in broken lines are included to show features that form no part of the claimed design.

1 Claim, 2 Drawing Sheets



(56)

References Cited

U.S. PATENT DOCUMENTS

D480,292 S 10/2003 Johansson
D492,727 S * 7/2004 Nuttall et al. D19/65
D544,787 S * 6/2007 Dash et al. D8/395
D552,008 S 10/2007 McGarity
D571,646 S * 6/2008 O'Rourke et al. D8/395
D586,391 S 2/2009 Pascale
D592,987 S 5/2009 McGarity
D596,482 S * 7/2009 Marinucci D8/394
D597,827 S 8/2009 Brassard
D609,995 S 2/2010 Hager
D623,048 S 9/2010 Moy
D632,950 S 2/2011 McGreevy
D641,228 S 7/2011 Qiblawi
D665,653 S 8/2012 Thompson
D677,193 S 3/2013 MacDonald
D678,041 S 3/2013 Pan
D680,804 S 4/2013 Gilboe
D680,852 S 4/2013 Gilboe

D682,014 S 5/2013 Gilboe
D688,586 S 8/2013 Diehl
D697,389 S 1/2014 Pan
D715,624 S 10/2014 Thompson
2011/0056413 A1* 3/2011 Andochick 108/14

FOREIGN PATENT DOCUMENTS

EM 000078886-0014 9/2003
EM 000078886-0015 9/2003
EM 000098694-0017 11/2003
GB 2050802 * 2/1996
GB 4019535 * 5/2011
JP D1318891 1/2008

OTHER PUBLICATIONS

HC1405502400, Magnet Holder, Pop & Parts Collection Sales Pro-
motion Catalog, vol. 11, p. 38, Dec. 13, 2002, Togu Co., Ltd.

* cited by examiner

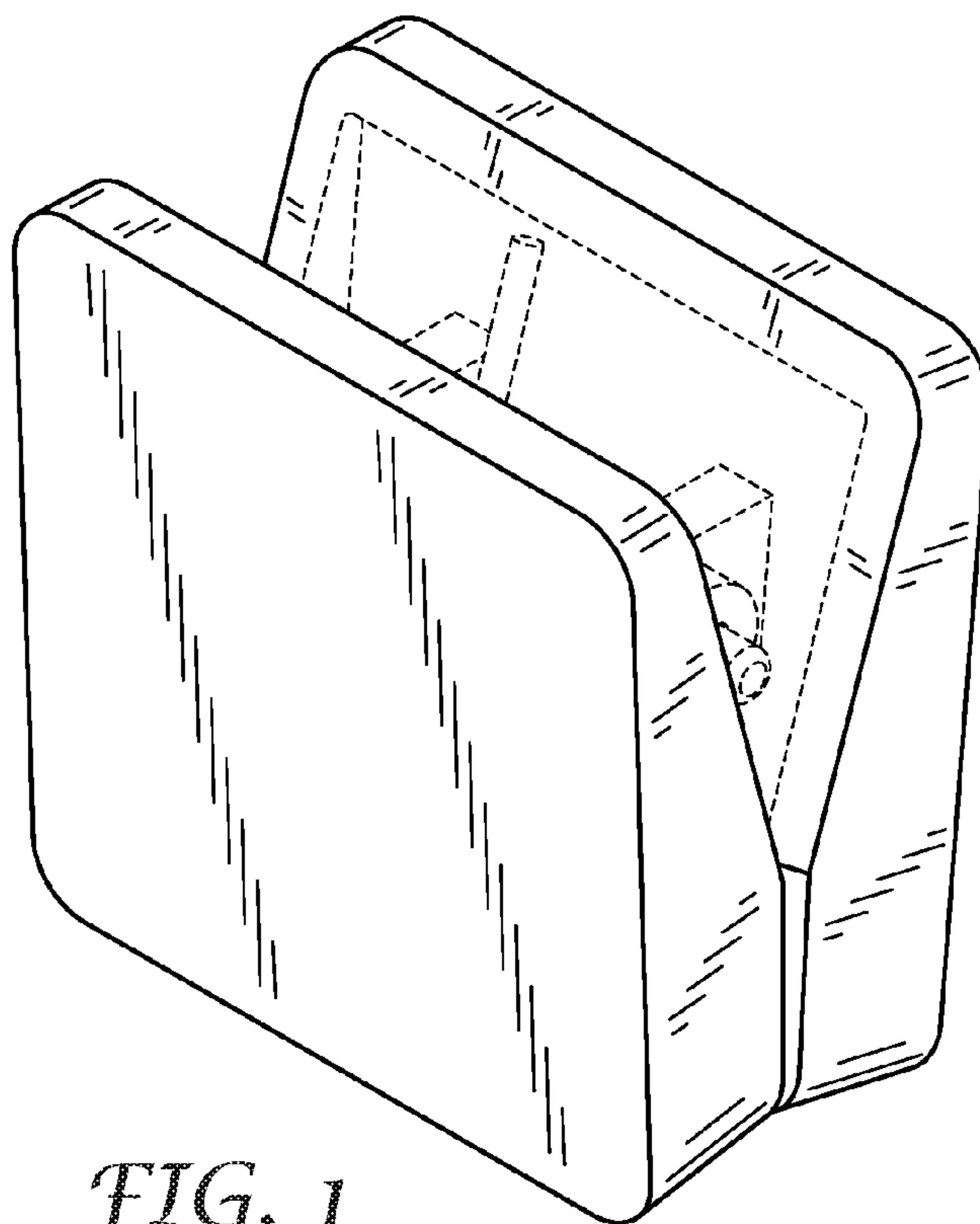


FIG. 1

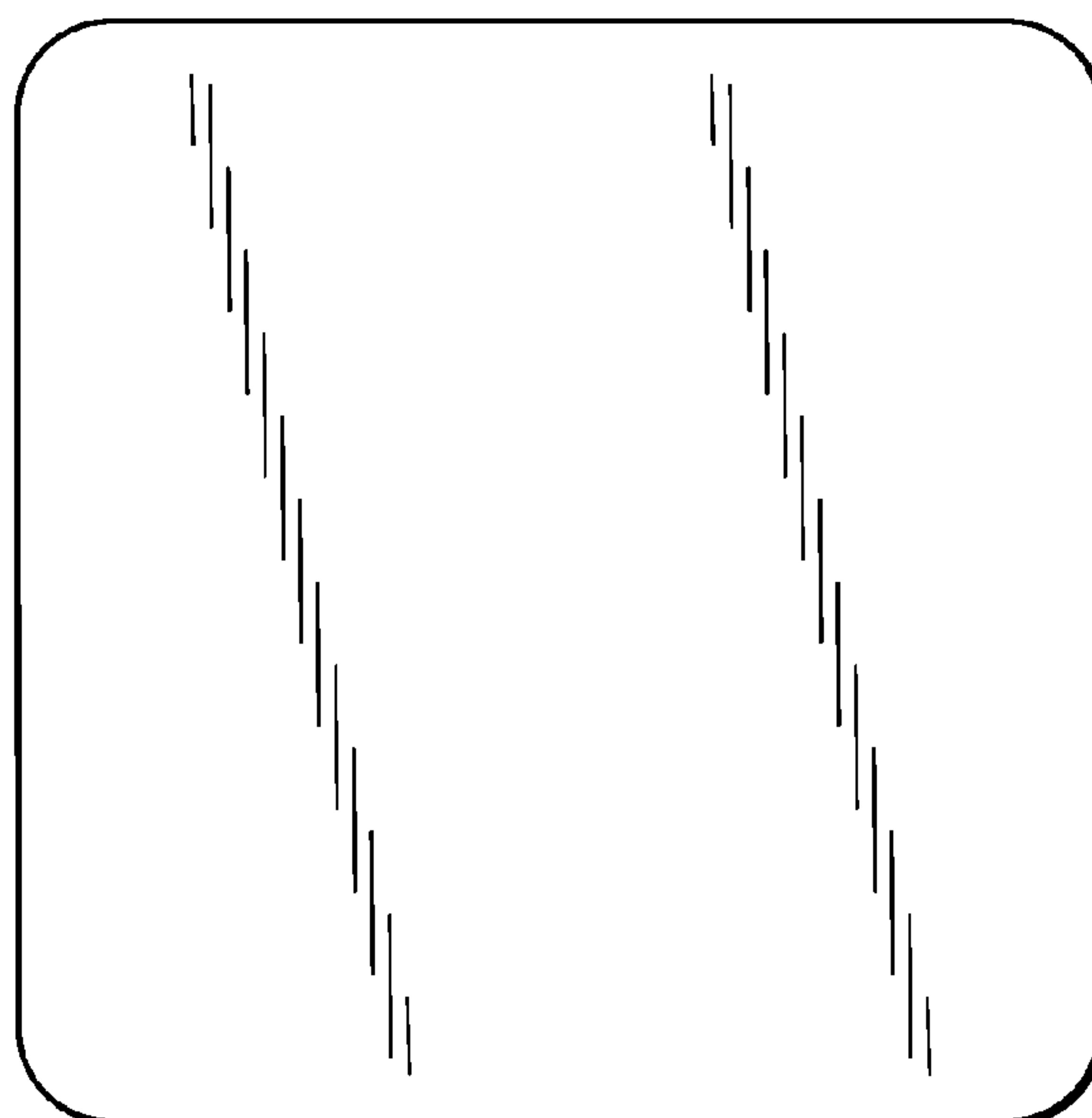


FIG. 2

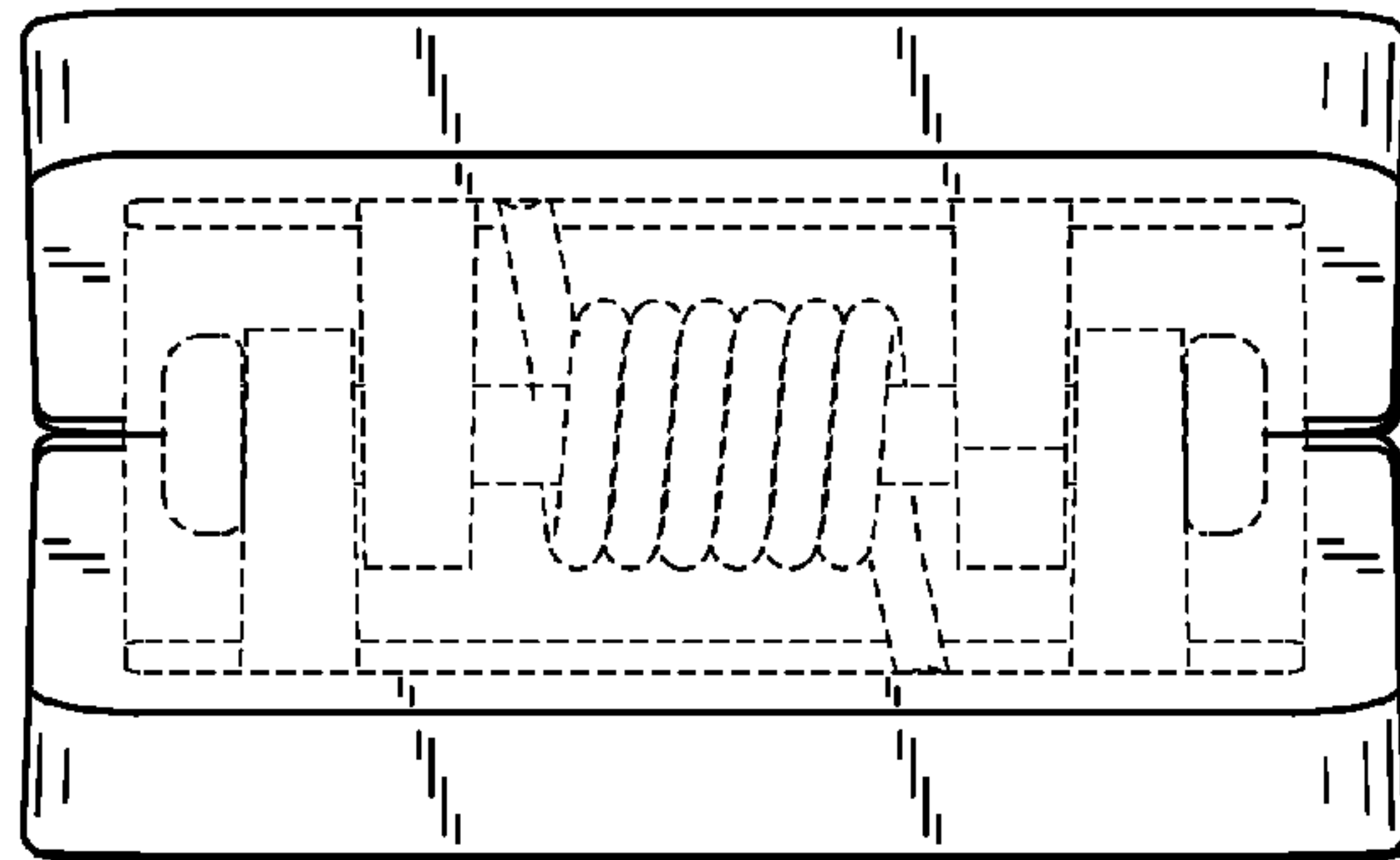


FIG. 3

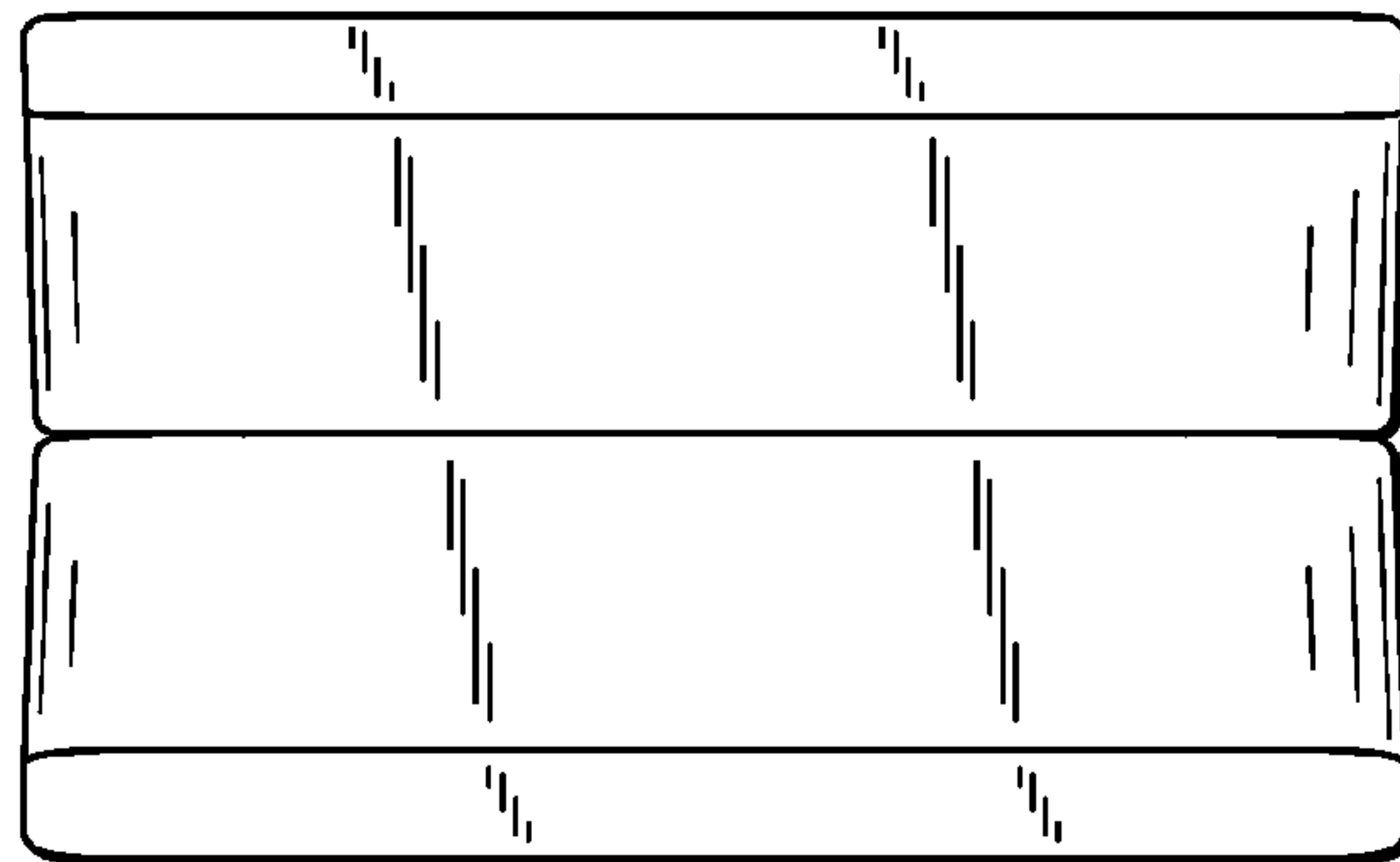


FIG. 4

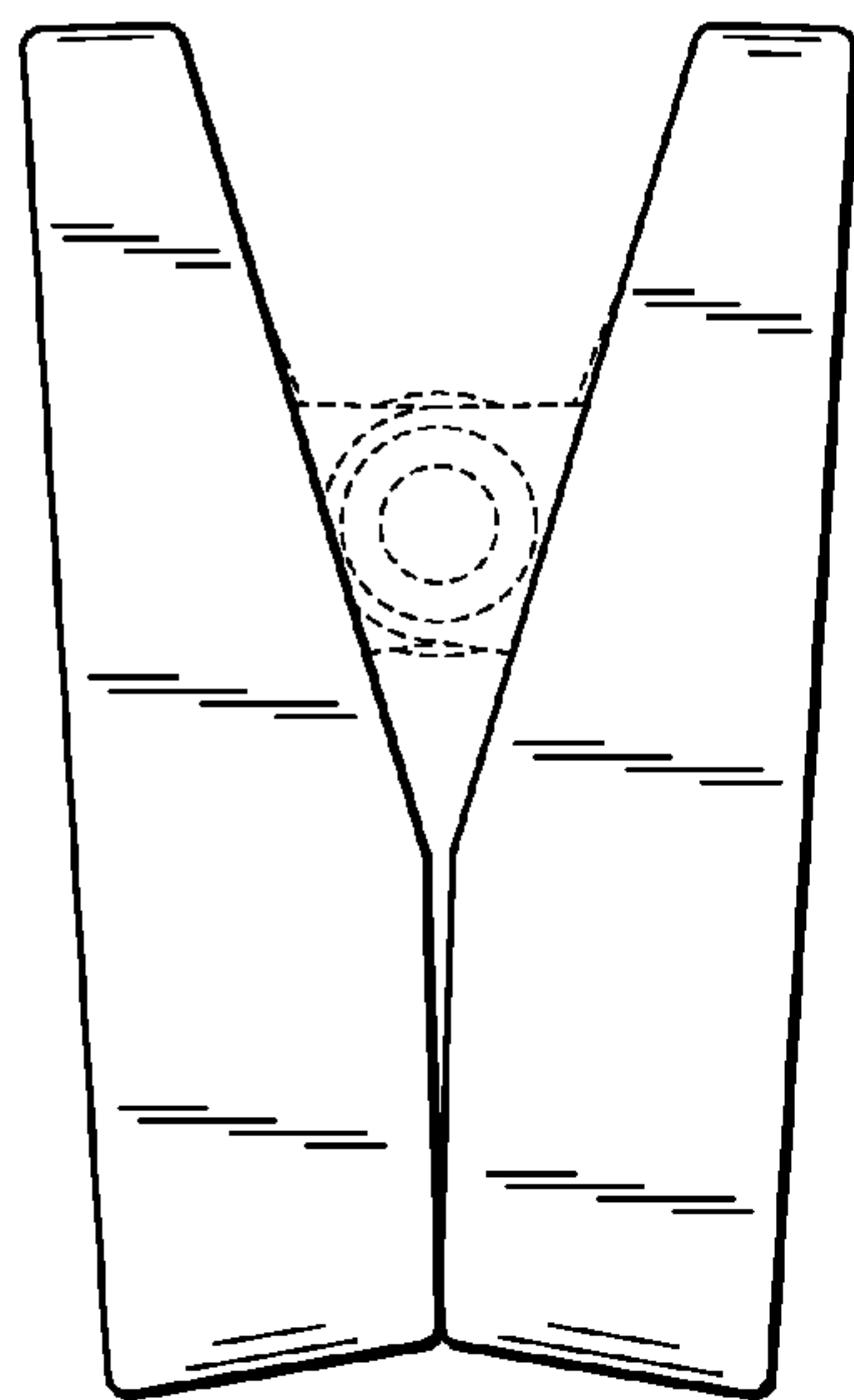


FIG. 5

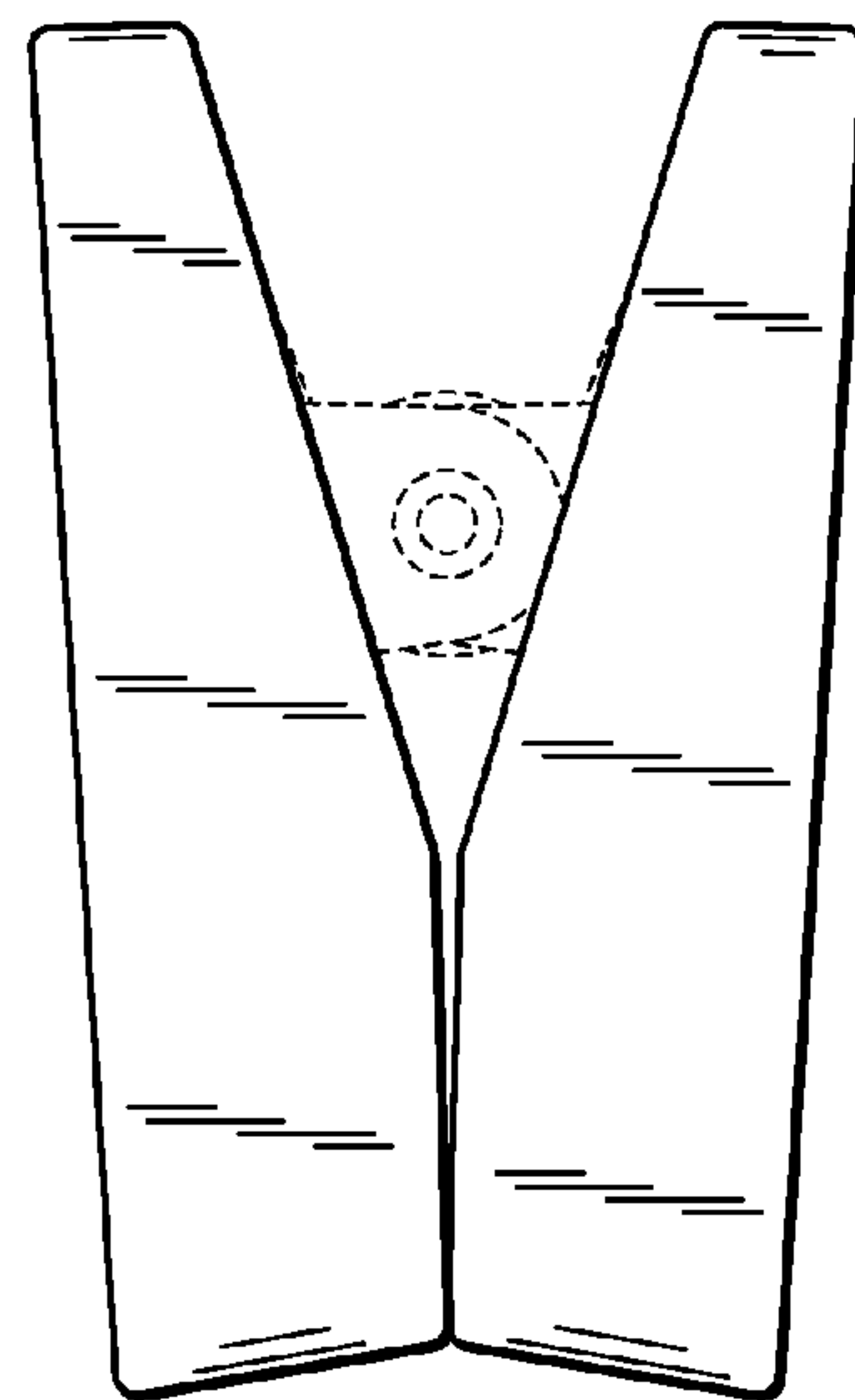


FIG. 6