

US00D753990S

(12) **United States Design Patent**
Swan et al.

(10) **Patent No.:** **US D753,990 S**

(45) **Date of Patent:** **** Apr. 19, 2016**

(54) **RAIL CLAMP WITH ACCESSORY CLASP**

(71) Applicant: **S & S Precision, LLC**, Virginia Beach, VA (US)

(72) Inventors: **Johnny E. Swan**, Virginia Beach, VA (US); **Andrew C. Borland**, Virginia Beach, VA (US); **William-Joseph Basan Elizalde**, Virginia Beach, VA (US)

(73) Assignee: **S & S Precision, LLC**, Virginia Beach, VA (US)

(**) Term: **14 Years**

(21) Appl. No.: **29/461,683**

(22) Filed: **Jul. 26, 2013**

(51) **LOC (10) Cl.** **08-08**

(52) **U.S. Cl.**
USPC **D8/395**; D22/108

(58) **Field of Classification Search**
USPC D8/354–356, 371, 376, 394–396, 382;
D22/108, 110; 24/16 R, 279; 33/247;
42/101; 248/49, 62, 74.1–74.4, 73,
248/205 R

See application file for complete search history.

(56) **References Cited**

U.S. PATENT DOCUMENTS

D220,483 S * 4/1971 Rubin et al. D22/110
D360,250 S * 7/1995 Coste D22/110

D444,531 S * 7/2001 Squillante et al. D22/110
D492,977 S * 7/2004 Squillante et al. D22/109
D505,177 S * 5/2005 Fell et al. D22/110
D591,383 S * 4/2009 Bengtsson D22/110
D681,767 S * 5/2013 Li et al. D22/109
D691,237 S * 10/2013 Beckett et al. D22/109
D693,897 S * 11/2013 Javorsky D22/108
D702,796 S * 4/2014 Healey D22/108
D718,833 S * 12/2014 Huang D22/108
2010/0162611 A1 * 7/2010 Samson et al. 42/125

* cited by examiner

Primary Examiner — John Windmuller

(74) *Attorney, Agent, or Firm* — Kilpatrick Townsend & Stockton LLP

(57) **CLAIM**

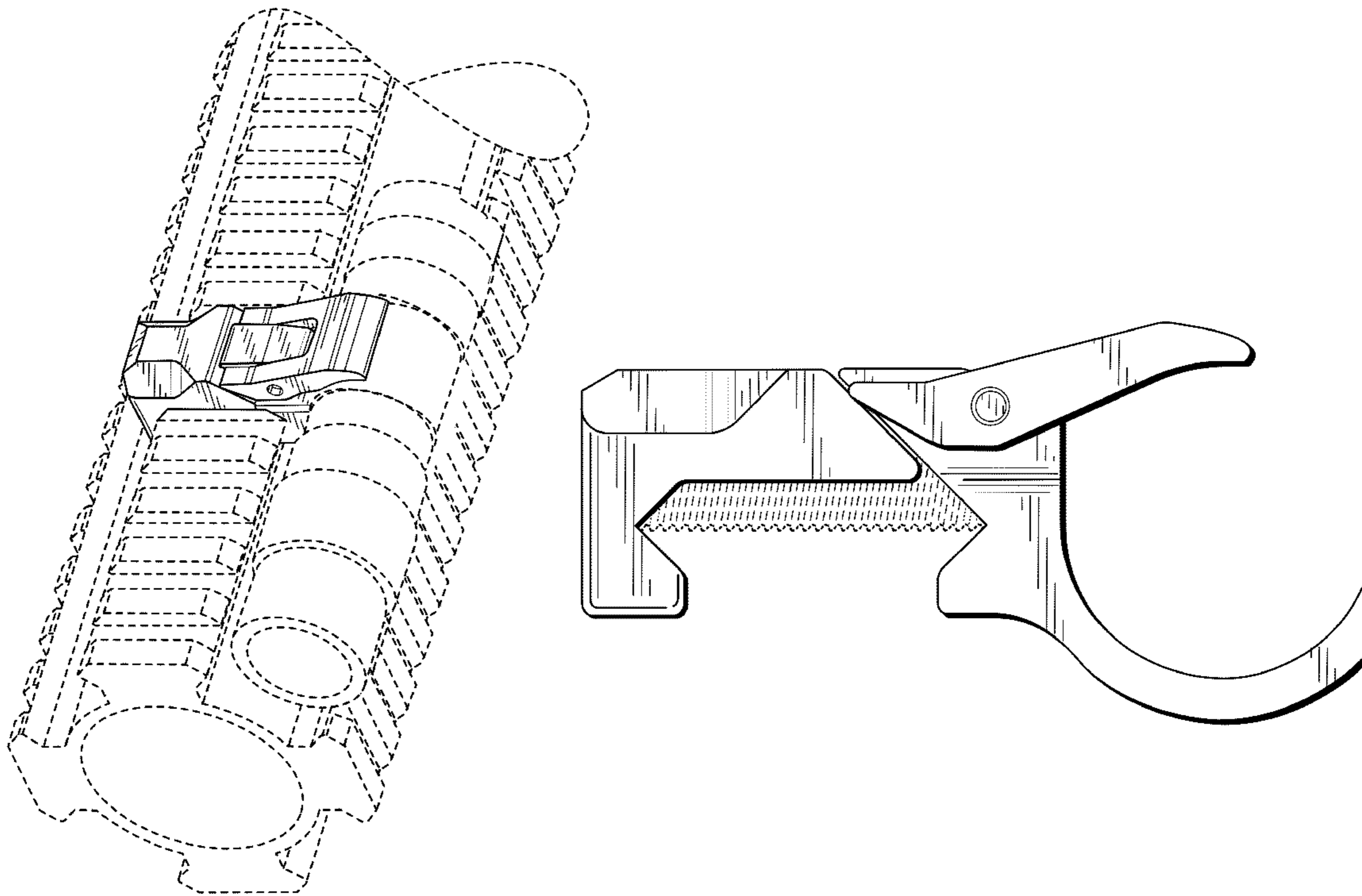
The ornamental design for a rail clamp with accessory clasp, as shown and described.

DESCRIPTION

FIG. 1 is a front perspective view of a rail clamp with accessory clasp showing our new design; FIG. 2 is a top plan view thereof; FIG. 3 is a front view thereof; FIG. 4 is a right side view thereof; FIG. 5 is a left side view thereof; FIG. 6 is a rear view thereof; and, FIG. 7 is a bottom plan view thereof.

The broken line portions showing gun barrel rails and flashlight accessory in FIG. 1, and bolt, threads and recess in FIGS. 3-7 are shown to illustrate environment only and form no part of the claimed design.

1 Claim, 4 Drawing Sheets



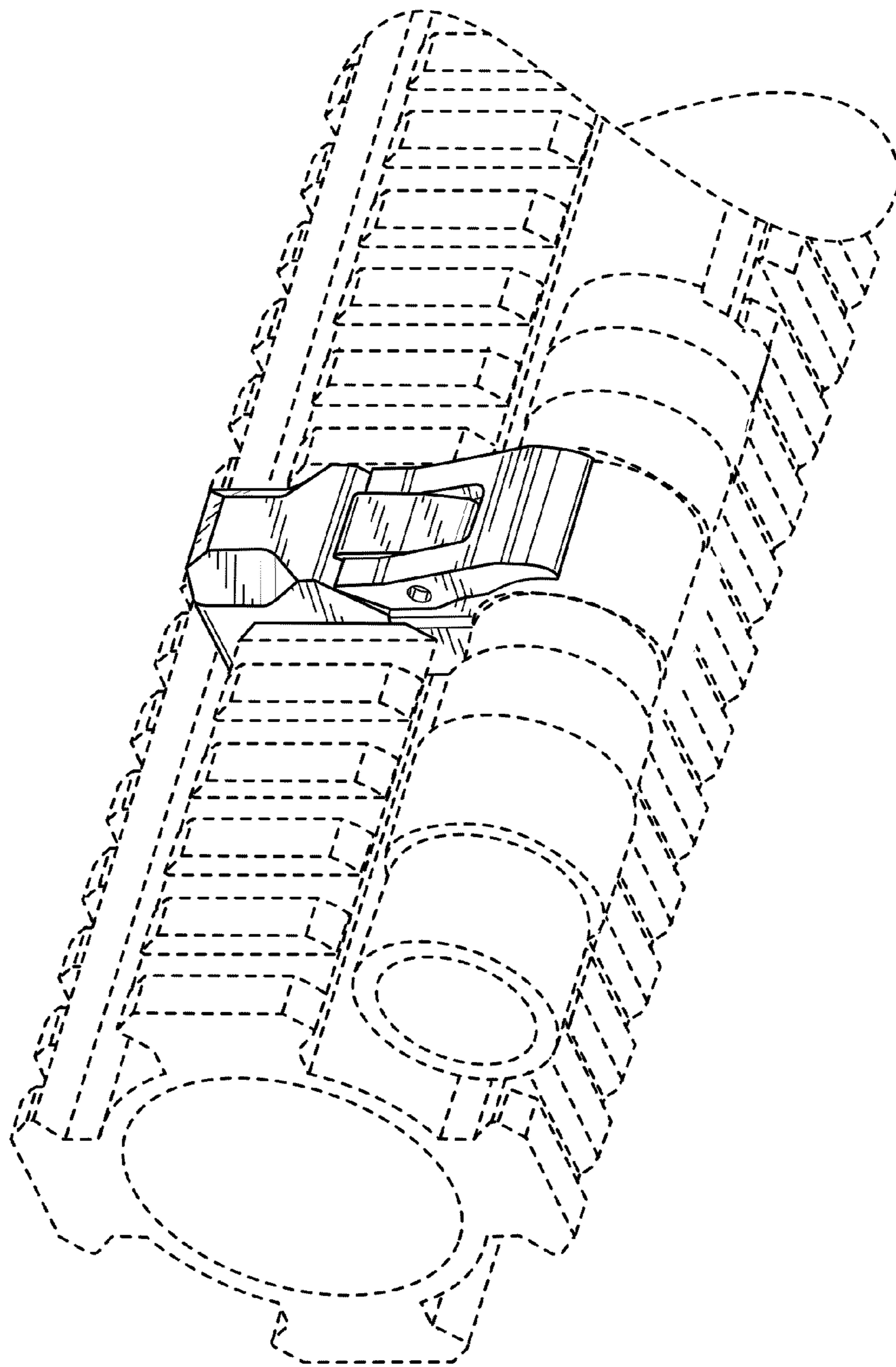


FIG. 1

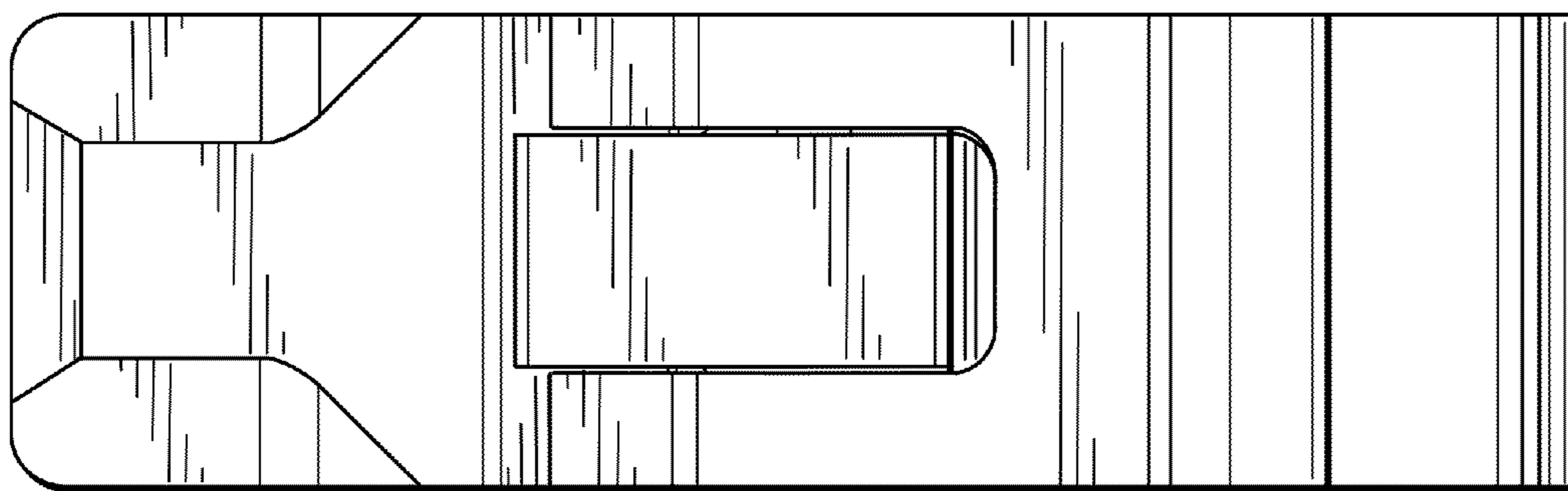


FIG. 2

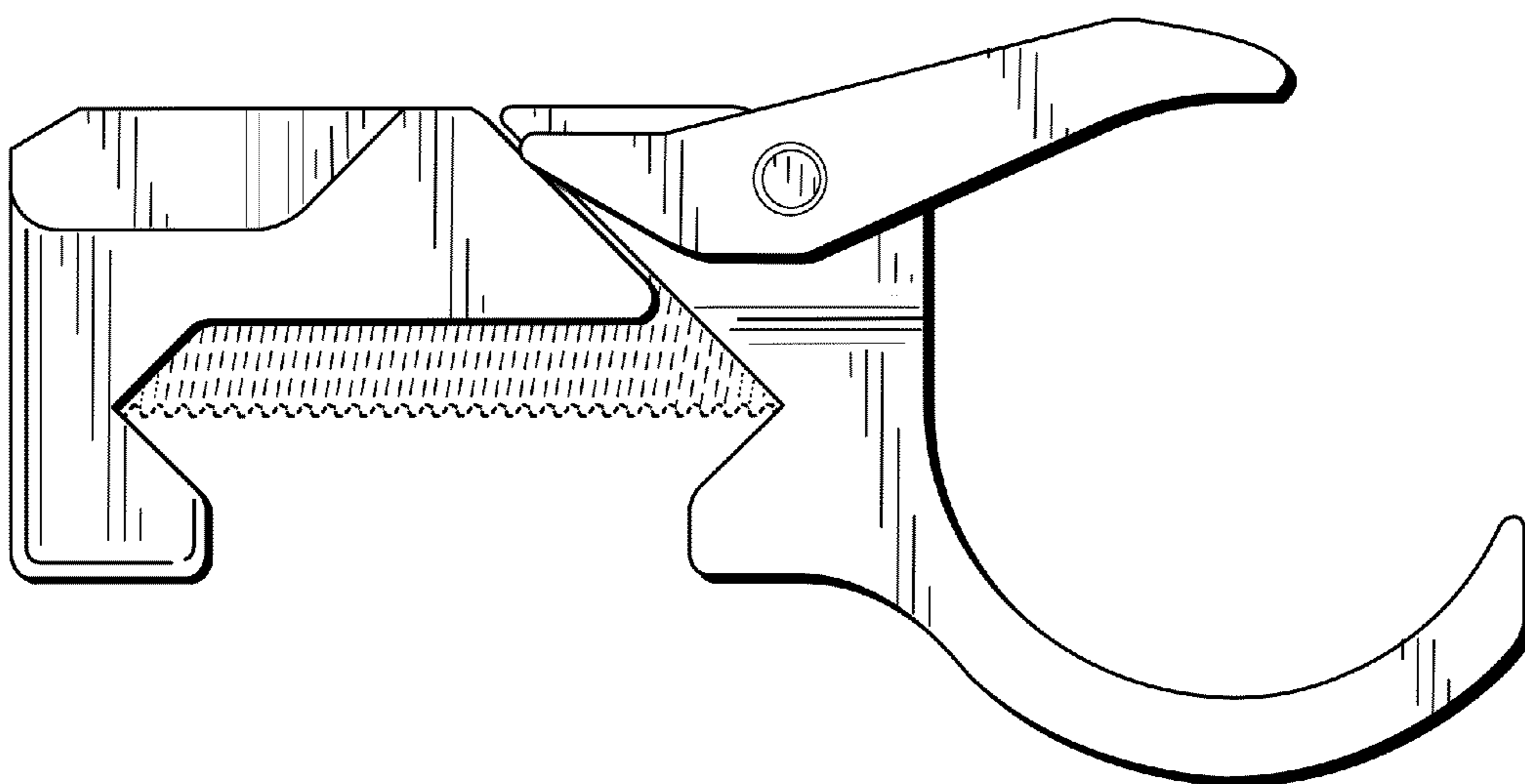


FIG. 3

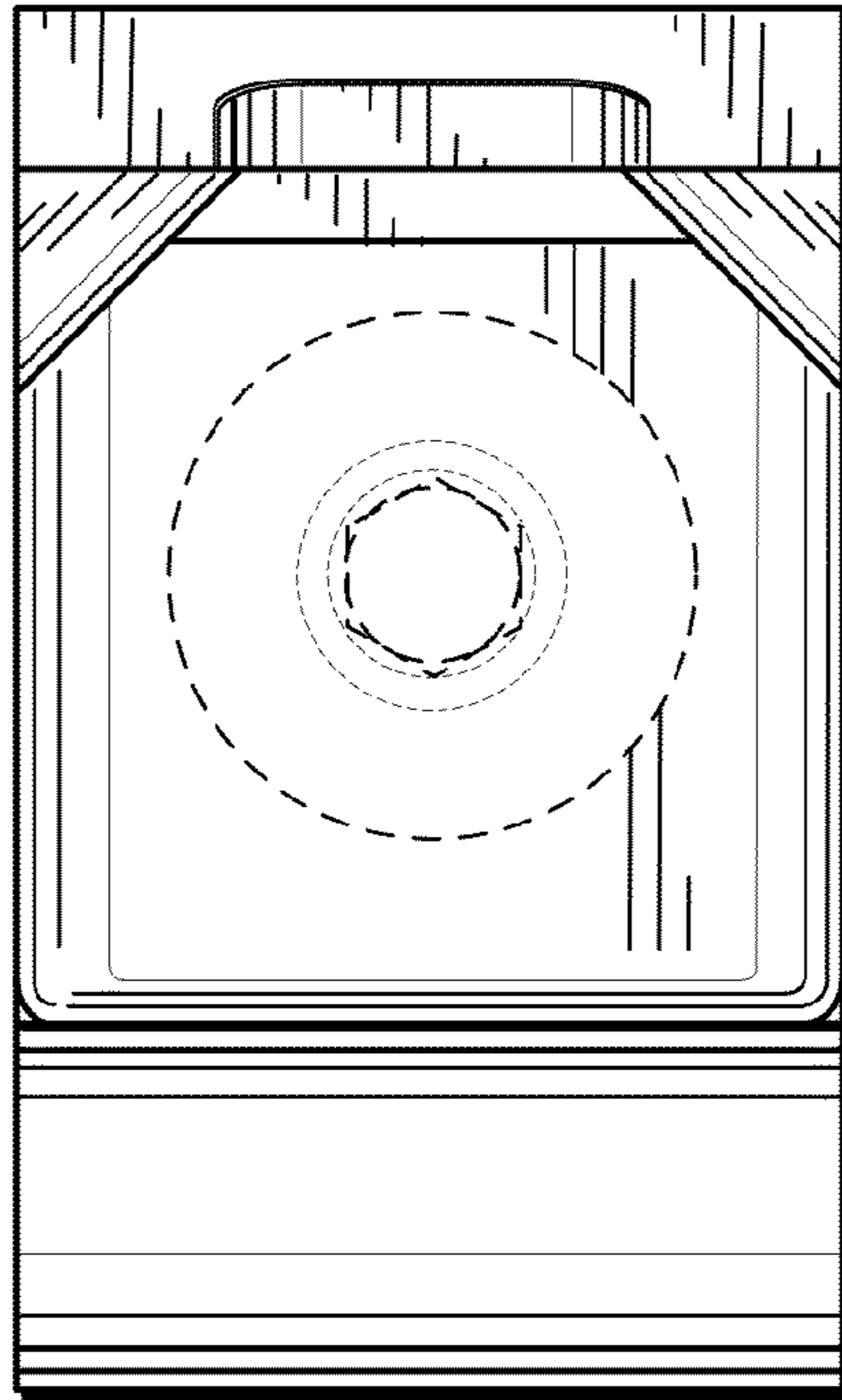


FIG. 4

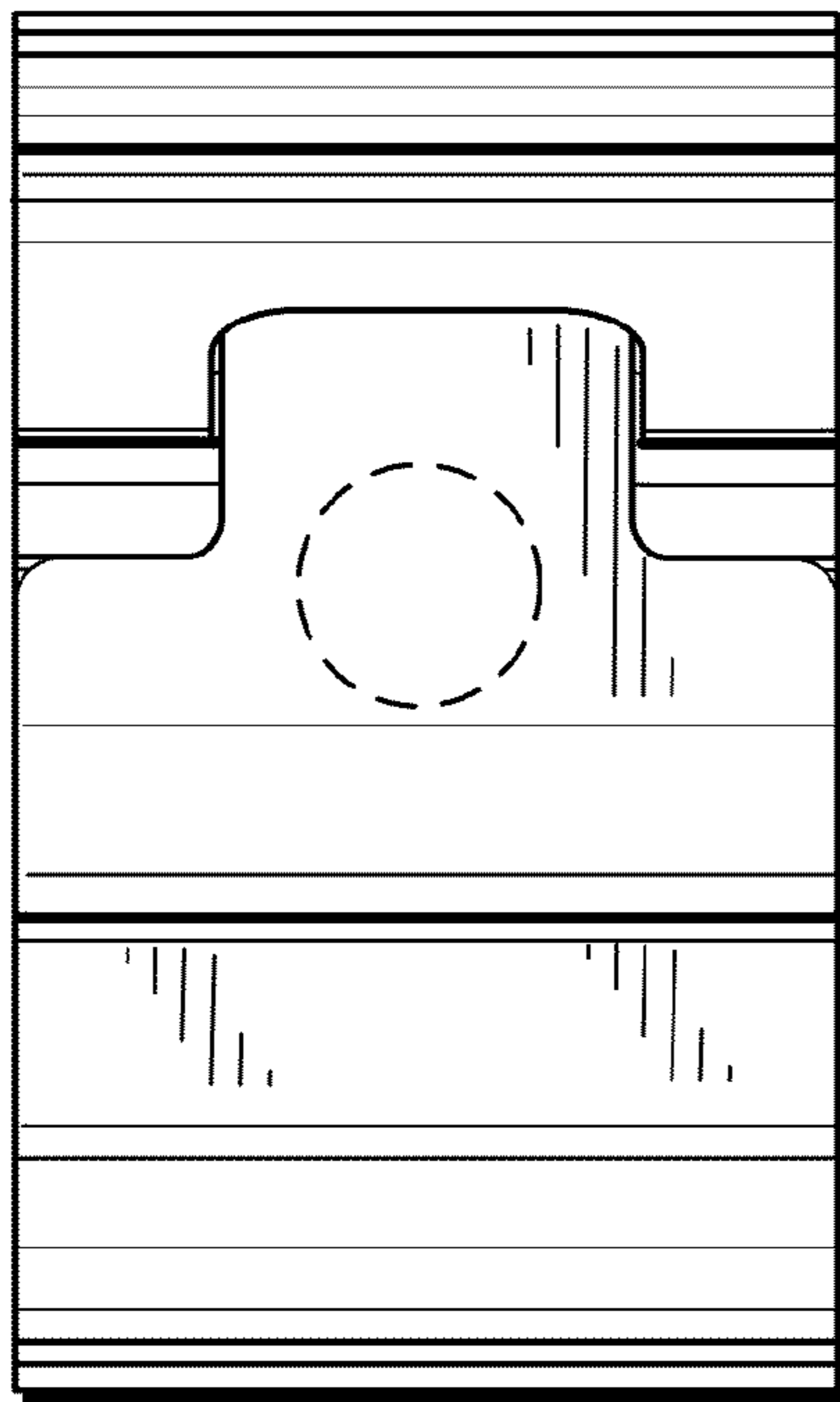


FIG. 5

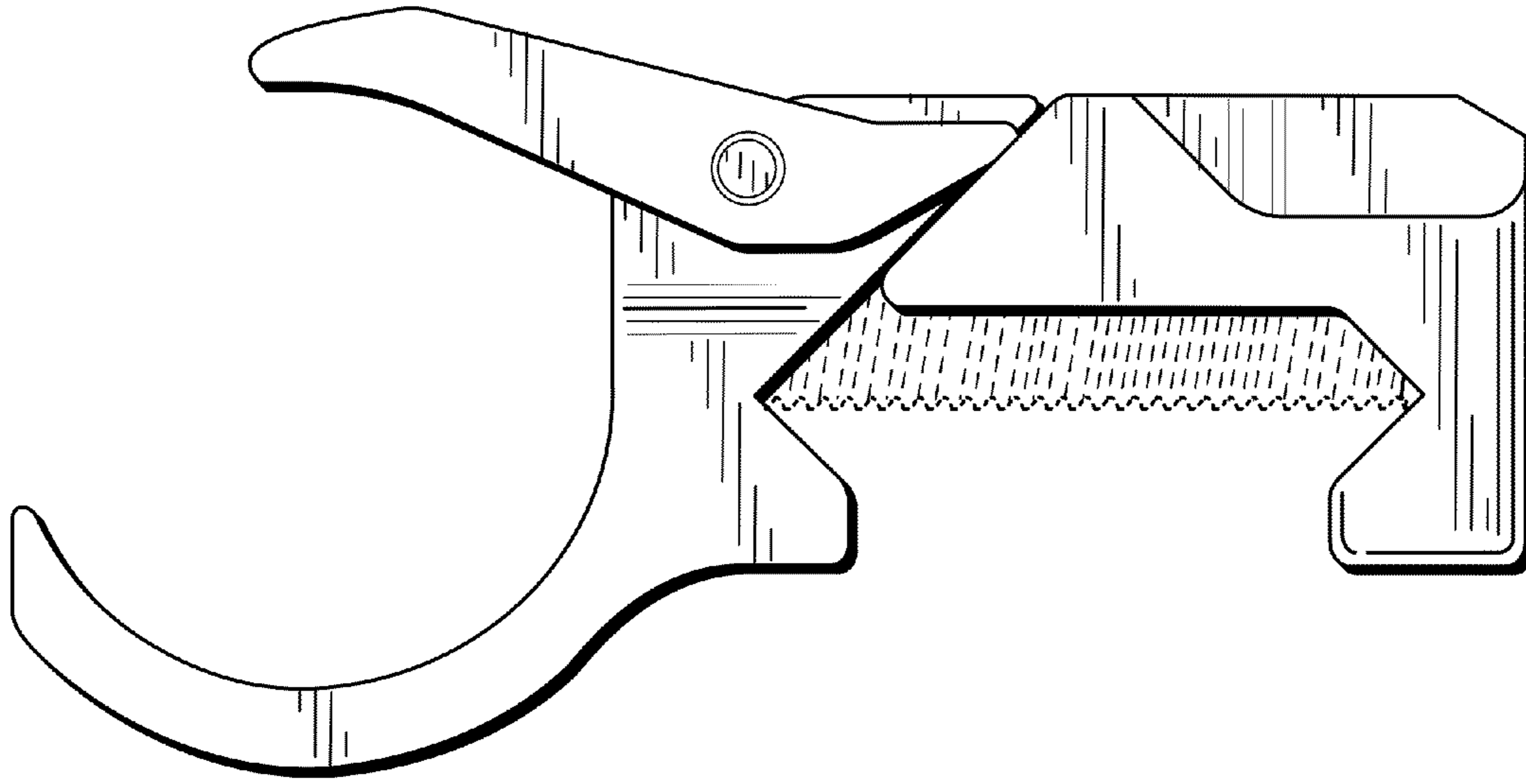


FIG. 6

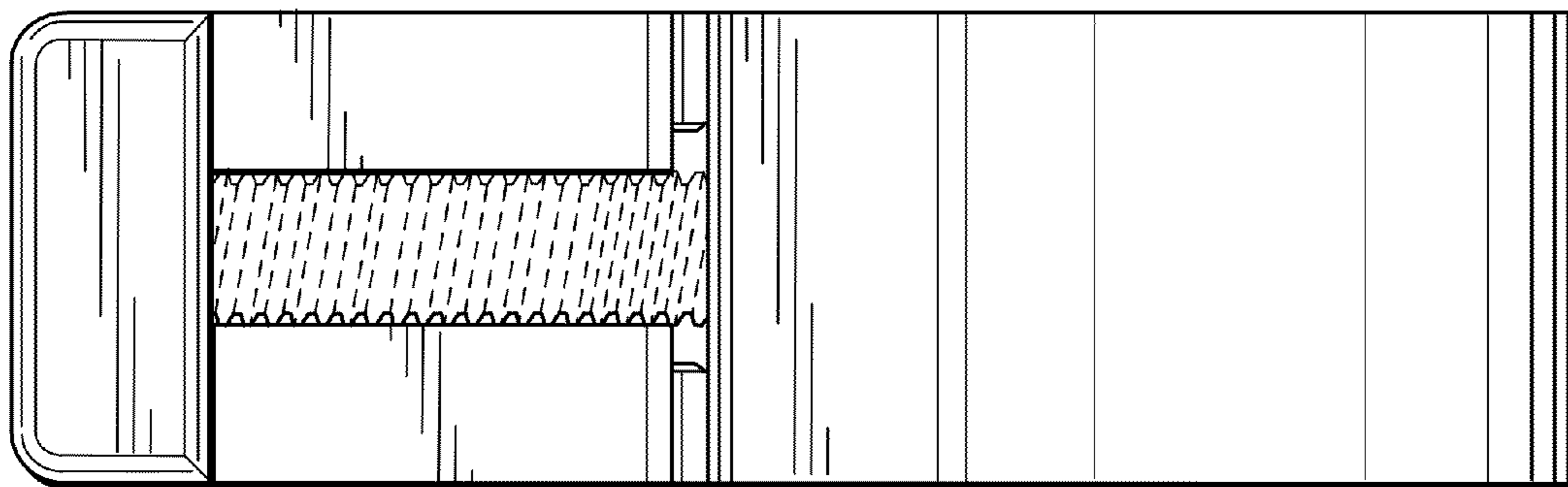


FIG. 7