



US00D753989S

(12) **United States Design Patent**
Jakobsen

(10) **Patent No.:** **US D753,989 S**
(45) **Date of Patent:** **** Apr. 19, 2016**

(54) **BAG CLAMP**

FOREIGN PATENT DOCUMENTS

(71) Applicant: **Mikkel Voldsgaard Jakobsen**, Lemvig
(DK)

GB 2024192 * 12/1992
GB 3005002 * 7/2002
JP D1093608 * 12/2000

(72) Inventor: **Mikkel Voldsgaard Jakobsen**, Lemvig
(DK)

OTHER PUBLICATIONS

(**) Term: **14 Years**

Bone bag clips | Pet Promotionals, wayback date Apr. 9, 2015, online,
<http://web.archive.org/web/20150409052631/http://petpromotionals.com/tag/bone-bag-clips/>, [site visited Dec. 29, 2015].*

(21) Appl. No.: **29/506,346**

Primary Examiner — John Windmuller

(22) Filed: **Oct. 15, 2014**

Assistant Examiner — John R Yeh

(30) **Foreign Application Priority Data**

(74) *Attorney, Agent, or Firm* — Adam J. Cermak; Cermak Nakajima & McGowan LLP

Apr. 15, 2014 (EP) 002447177-0001

(51) **LOC (10) Cl.** **08-08**

(57) **CLAIM**

(52) **U.S. Cl.**
USPC **D8/394; D9/443**

The ornamental design for a bag clamp, as shown and described.

(58) **Field of Classification Search**
USPC D8/394–396, 71–74, 499, 354–355
CPC A47H 1/10; B65B 13/18; B66C 1/00;
B66F 1/00; B66F 19/00; F16G 11/00; F16G
3/00; H02G 1/00; H02G 1/04; H02G 1/06
See application file for complete search history.

DESCRIPTION

(56) **References Cited**

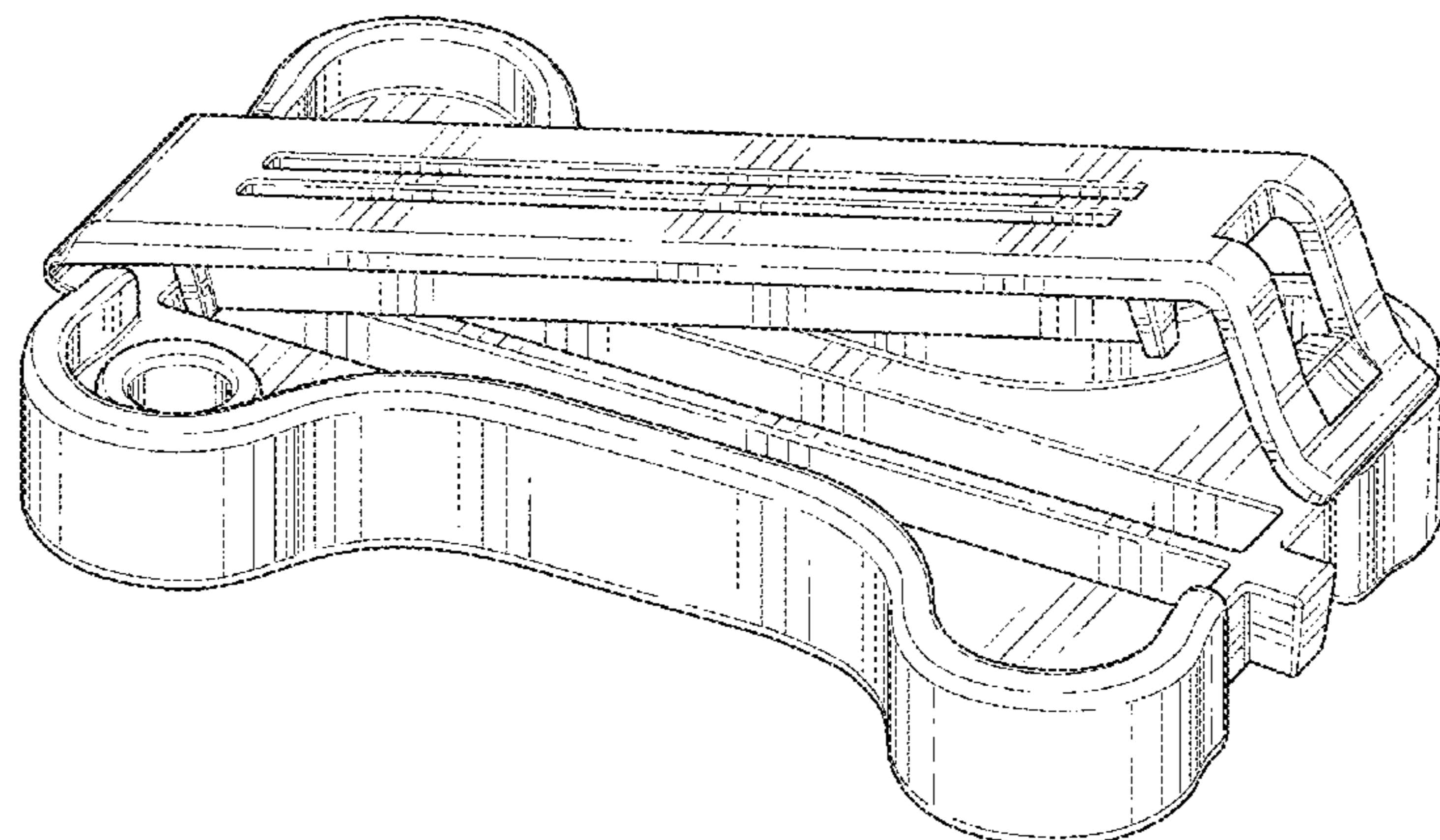
U.S. PATENT DOCUMENTS

D299,008 S * 12/1988 Naslund D8/395
D317,571 S * 6/1991 Henriksson D8/394
D350,696 S * 9/1994 Naslund D9/434
D372,674 S * 8/1996 Weber D9/434
5,598,608 A * 2/1997 Naslund B65D 33/1675
24/30.5 P
D405,900 S * 2/1999 Driscoll D26/39
D423,353 S * 4/2000 Blanchard D9/435
D476,808 S * 7/2003 Carr D3/271.2
D482,968 S * 12/2003 Henriksson D9/435
D487,327 S * 3/2004 Andersen D1/199
D510,171 S * 10/2005 Lawrenson D1/106

FIG. 1 is a top right front perspective view of a bag clamp showing my new design, in a partially open configuration; FIG. 2 is a bottom left rear perspective view of the bag clamp shown in FIG. 1, in a closed configuration; FIG. 3 is a top left perspective view of the bag clamp shown in FIG. 1, in a closed configuration; FIG. 4 is a top, left front perspective view of the bag clamp shown in FIG. 1, in a fully open configuration; FIG. 5 is a top plan view of the bag clamp shown in FIG. 1, in a closed configuration; FIG. 6 is a left side elevational view of the bag clamp shown in FIG. 1, in an open configuration; FIG. 7 is a left side elevational view of the bag clamp shown in FIG. 1, in a partially closed open configuration; and, FIG. 8 is a bottom plan view of the bag clamp shown in FIG. 1, in a closed configuration.

(Continued)

1 Claim, 8 Drawing Sheets



(56)

References Cited

U.S. PATENT DOCUMENTS

D529,279 S * 10/2006 Parks D3/203.3
D632,455 S * 2/2011 School D99/5
D656,324 S * 3/2012 Vanerio D6/316
D661,895 S * 6/2012 Kinnard D3/271.2
8,256,071 B2 * 9/2012 Okuda A45F 5/02

D697,396 S * 1/2014 Goodman 24/517
D697,397 S * 1/2014 Goodman D8/395
D708,417 S * 7/2014 Allen D1/106
D720,929 S * 1/2015 Felice D3/271.2
D740,500 S * 10/2015 Wickens D30/160
2011/0308046 A1 * 12/2011 Weiss F16G 11/00
24/122.6

* cited by examiner

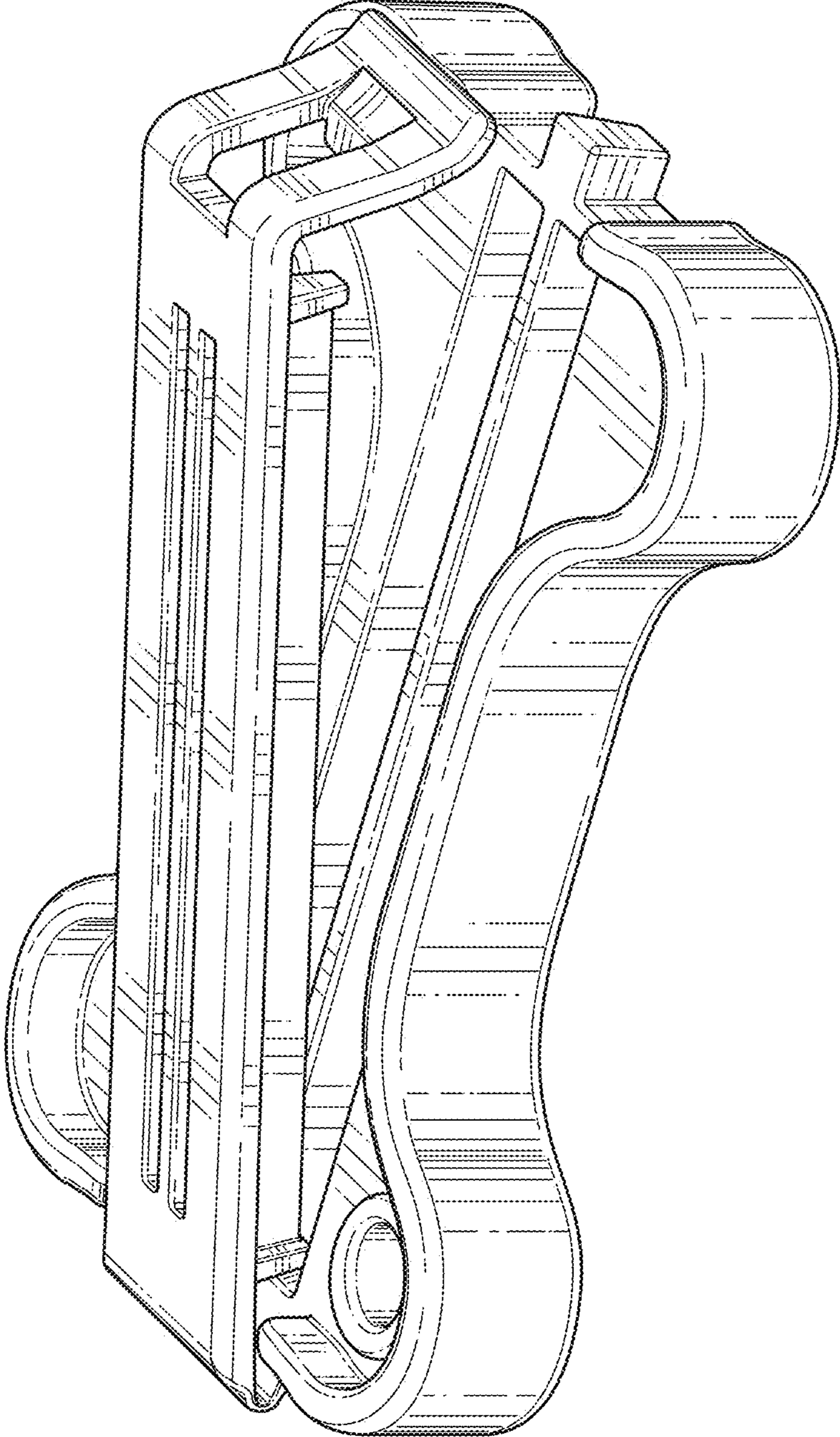


FIG. 1

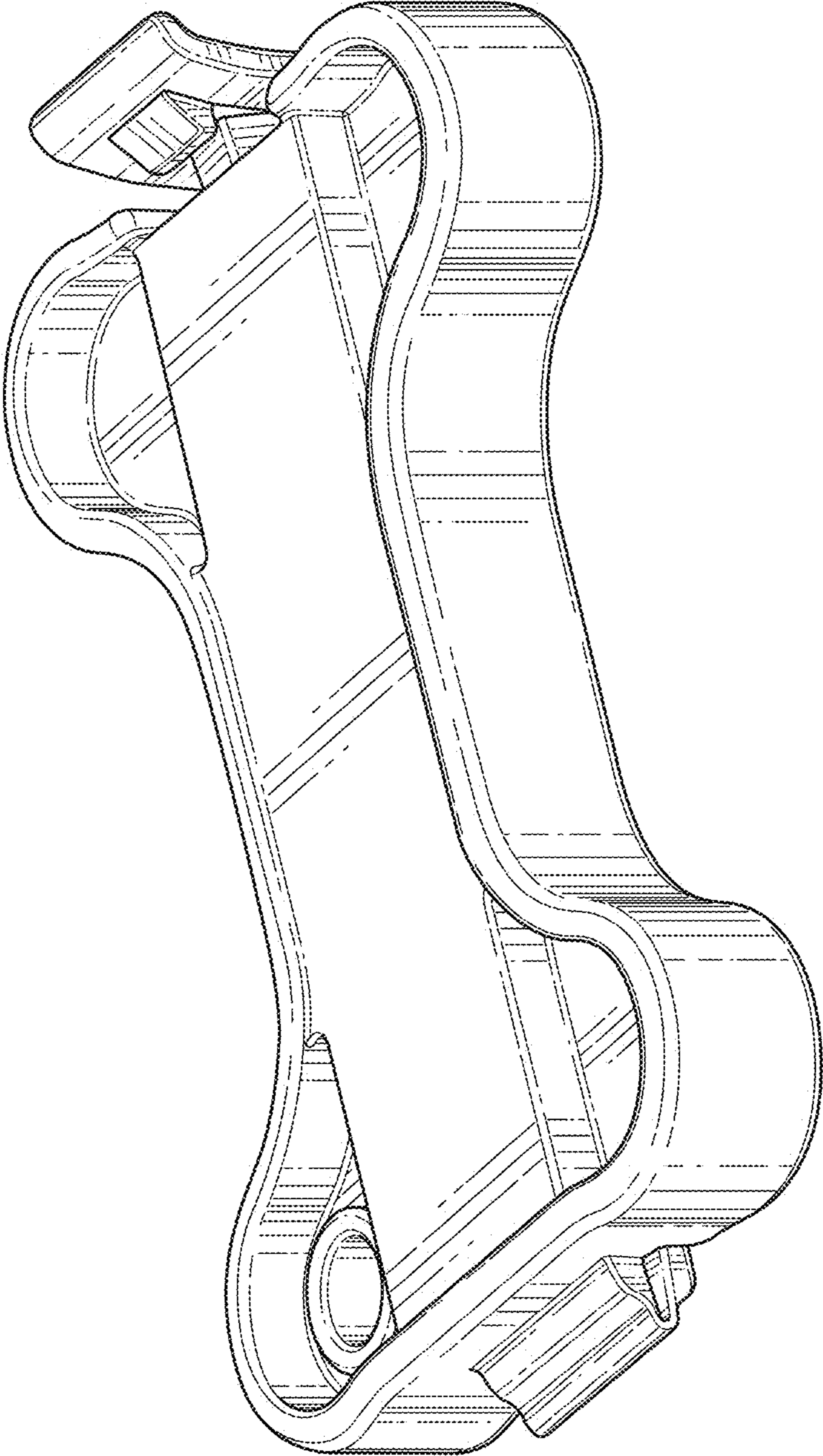


FIG. 2

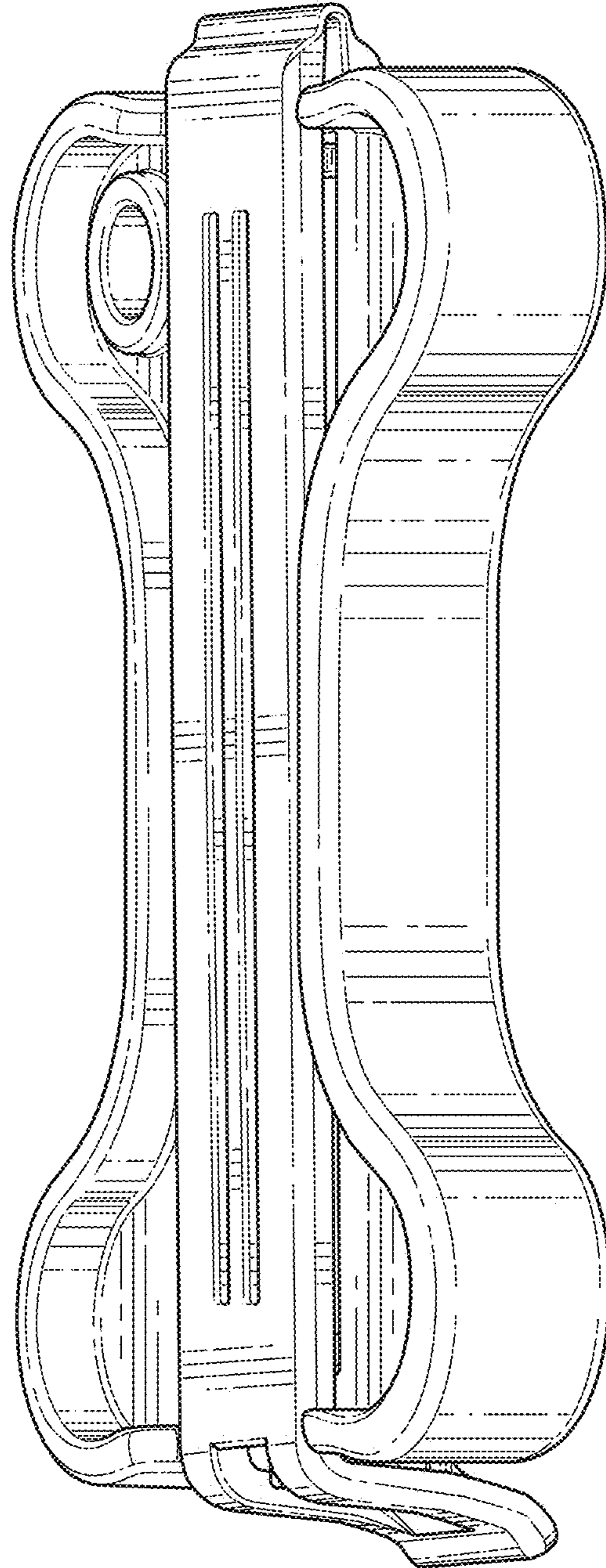


FIG. 3

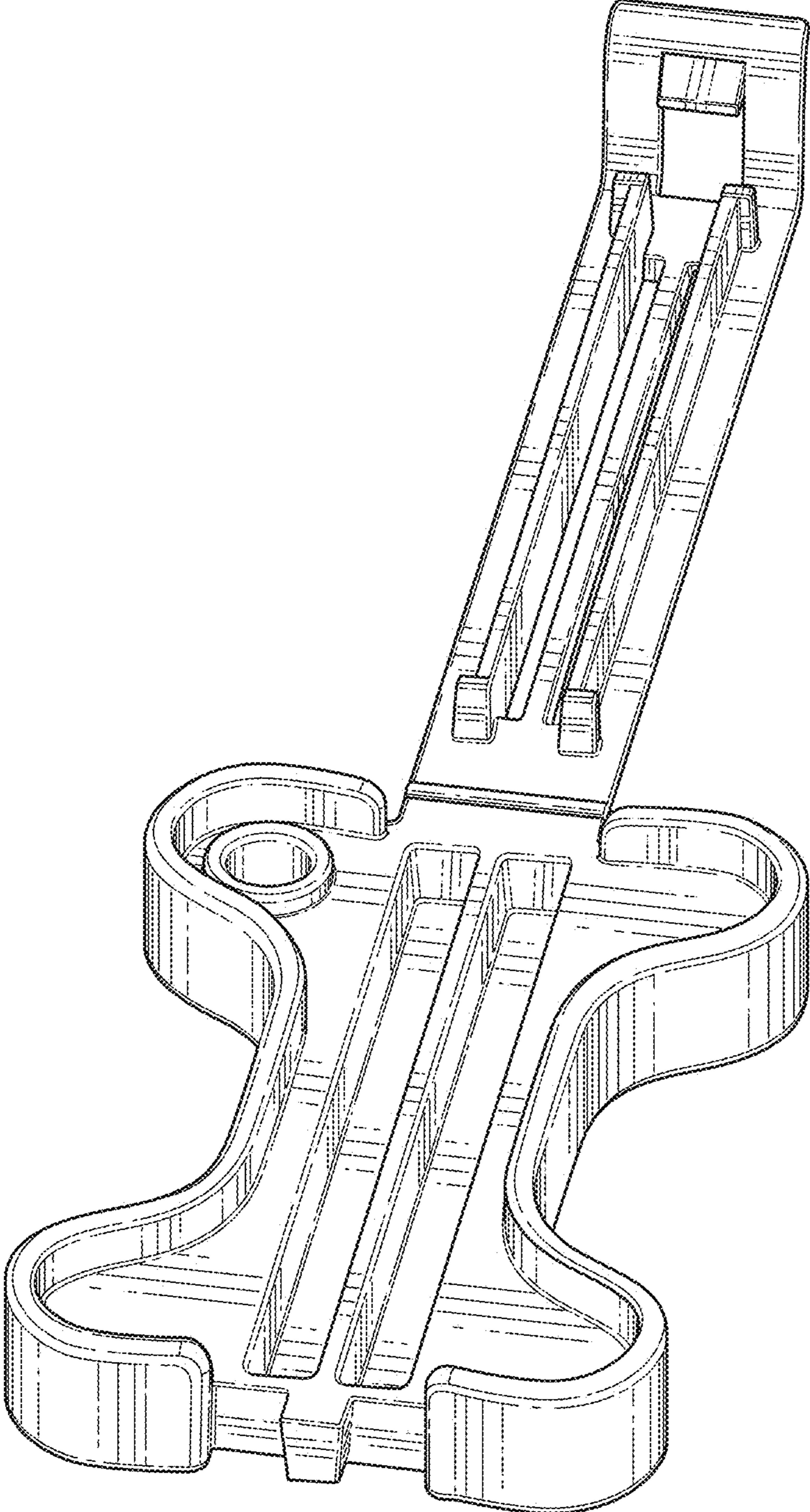


FIG. 4

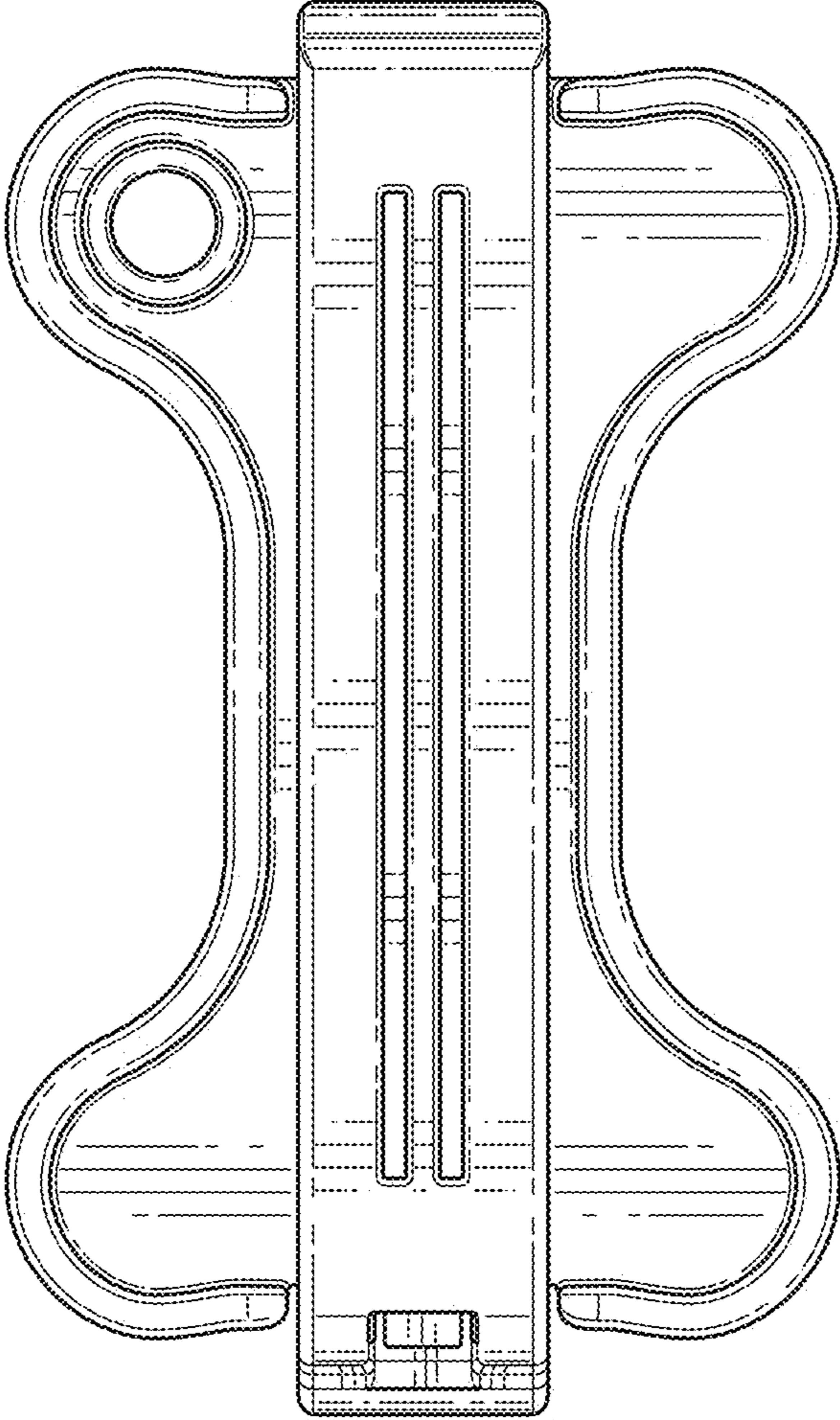


FIG. 5

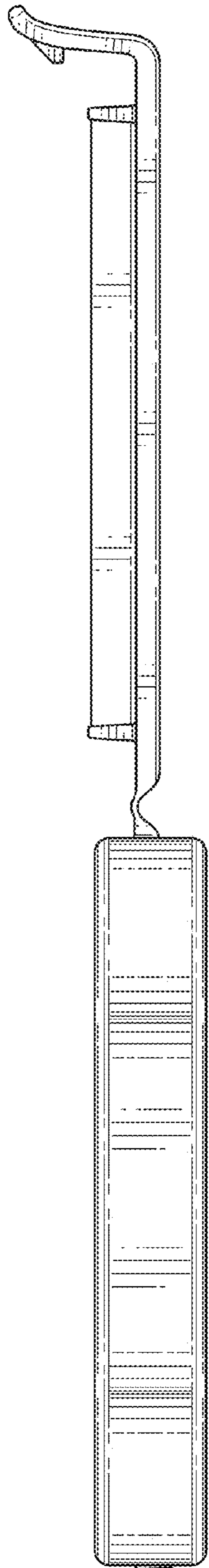


FIG. 6

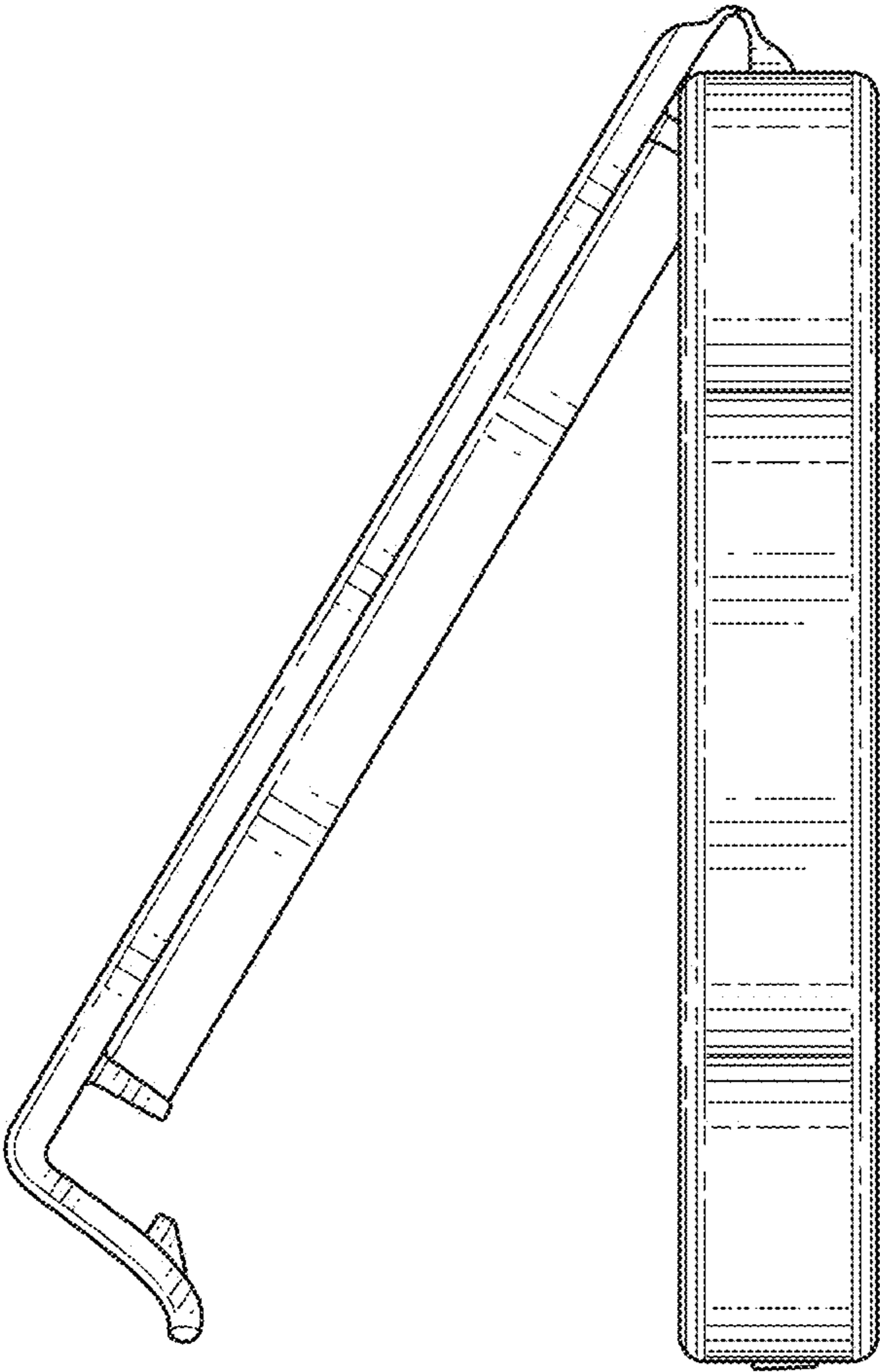


FIG. 7

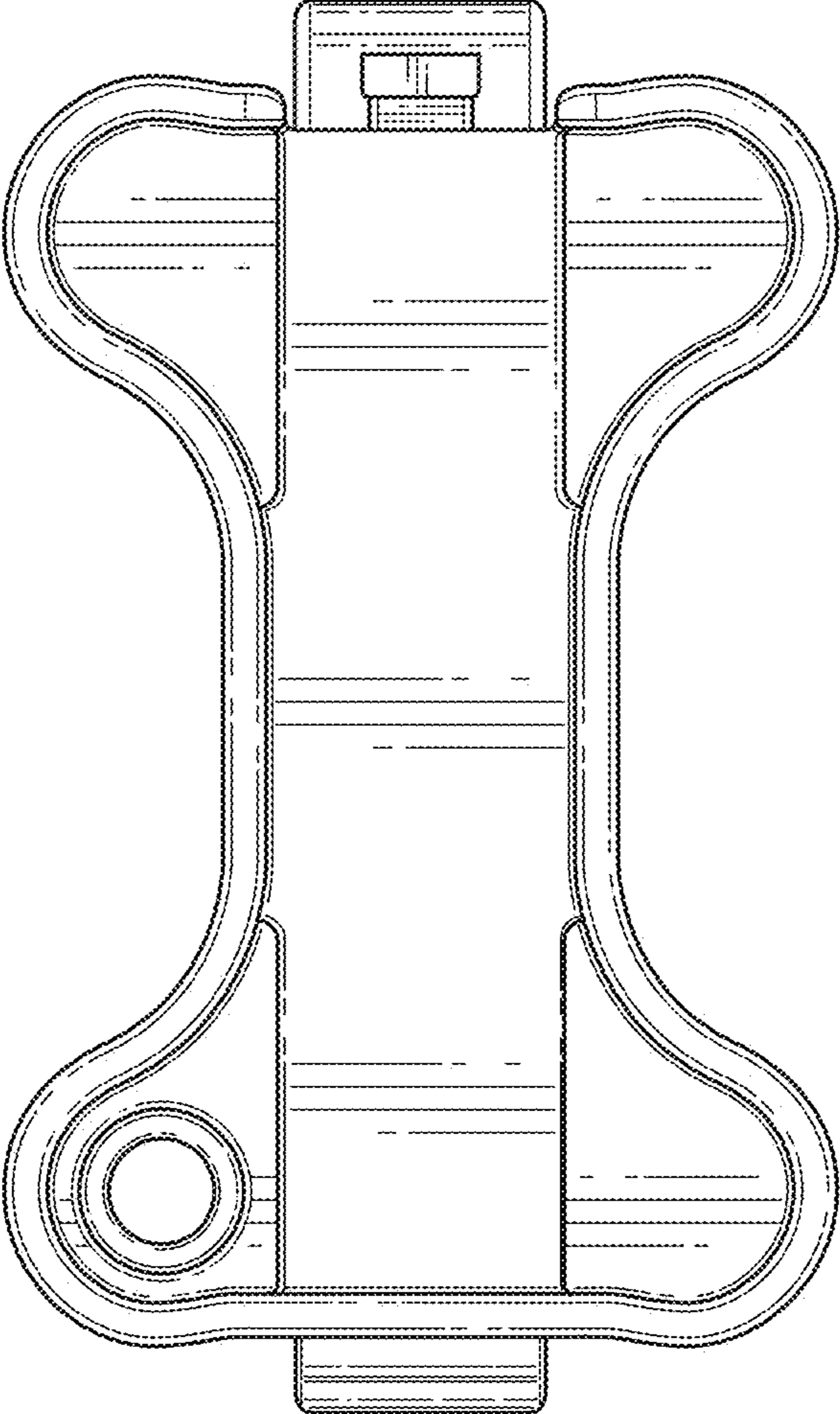


FIG. 8