



US00D753987S

(12) **United States Design Patent**
Bernstein

(10) **Patent No.:** **US D753,987 S**

(45) **Date of Patent:** **** Apr. 19, 2016**

(54) **MOUNTING HOOK**

(71) Applicant: **David Bernstein**, Roswell, GA (US)

(72) Inventor: **David Bernstein**, Roswell, GA (US)

(73) Assignee: **DRIVE DISPLAY, INC.**, Roswell, GA (US)

(**) Term: **14 Years**

(21) Appl. No.: **29/513,235**

(22) Filed: **Dec. 29, 2014**

(51) **LOC (10) Cl.** **08-05**

(52) **U.S. Cl.**
USPC **D8/367**

(58) **Field of Classification Search**

USPC D8/349, 354-355, 367, 373, 380,
D8/382-383, 394, 396; D13/102, 118,
D13/149, 154, 155, 184, 199

CPC F16L 3/1058; F16L 3/1218; F16L 3/1233;
F16L 3/133; F16L 3/222; F16L 3/23; H02G
3/30; A47G 25/0607; A47G 25/0614; A47G
25/4053; A47G 25/62; A47G 25/0678

See application file for complete search history.

(56) **References Cited**

U.S. PATENT DOCUMENTS

| | | | | |
|--------------|---------|--------------|-------|---------|
| D59,792 S * | 11/1921 | Taylor | | D12/159 |
| D257,325 S * | 10/1980 | Jones | | D25/199 |
| D317,250 S * | 6/1991 | Shook | | D8/380 |
| D341,075 S * | 11/1993 | Quinkert | | D8/354 |
| D437,546 S * | 2/2001 | McElroy, Jr. | | D8/380 |
| D513,171 S * | 12/2005 | Richardson | | D25/133 |
| D556,014 S * | 11/2007 | Wurdack | | D8/349 |
| D576,479 S * | 9/2008 | Alexander | | D8/384 |
| D584,597 S * | 1/2009 | Menard | | D8/354 |
| D600,545 S * | 9/2009 | Quach | | D3/215 |

(Continued)

Primary Examiner — Rosemary K Tarca

Assistant Examiner — Nathaniel D Buckner

(74) *Attorney, Agent, or Firm* — Marshall, Gerstein & Borun LLP

(57) **CLAIM**

The ornamental design for a mounting hook, as shown and described.

DESCRIPTION

FIG. 1 is an enlarged back, left-side, and top isometric view of a mounting hook showing the new design.

FIG. 2 is a top plan view of the mounting hook.

FIG. 3 is a left-side view of the mounting hook.

FIG. 4 is a front view of the mounting hook.

FIG. 5 is a right-side view of the mounting hook.

FIG. 6 is a back view of the mounting hook.

FIG. 7 is a bottom view of the mounting hook.

FIG. 8 is an front, left-side, and top view of the mounting hook.

FIG. 9 is a front, right-side, and top view showing the mounting hook mounted on a rack.

FIG. 10 is a back, left-side, and top view of a second embodiment of the design.

FIG. 11 is a back, left-side, and top view of a third embodiment of the design.

FIG. 12 is a back, left-side, and top view of a fourth embodiment of the design.

FIG. 13 is a back, left-side, and top view of a fifth embodiment of the design.

FIG. 14 is a back, left-side, and top view of a sixth embodiment of the design.

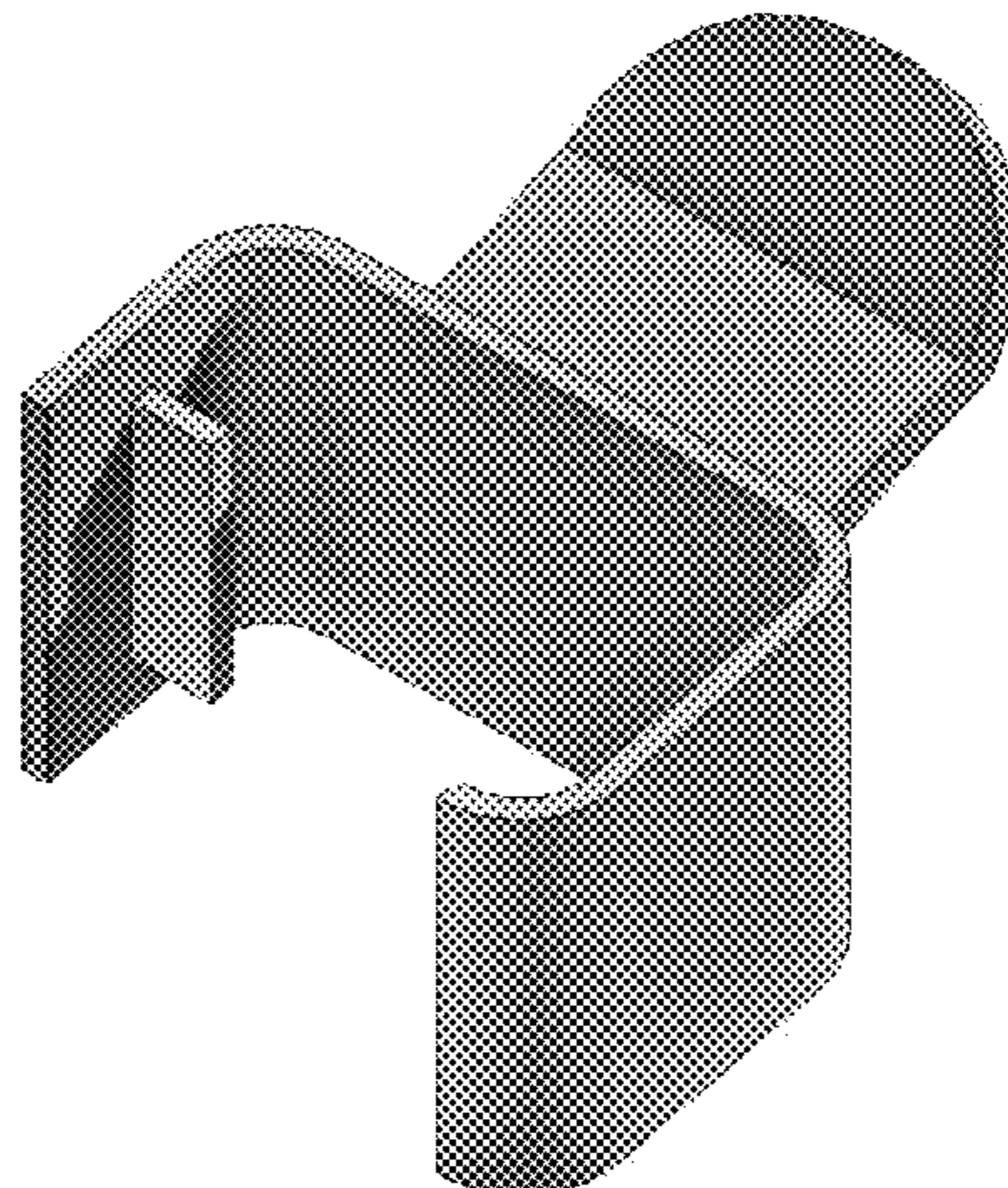
FIG. 15 is a back, left-side, and top view of a seventh embodiment of the design.

FIG. 16 is a back, left-side, and top view of an eighth embodiment of the design; and,

FIG. 17 is a back, left-side, and top view of a ninth embodiment of the design.

The broken lines seen in FIG. 9 represent environmental structure and form no part of the claimed design.

1 Claim, 7 Drawing Sheets



US D753,987 S

Page 2

(56)

References Cited

U.S. PATENT DOCUMENTS

7,837,156 B1 * 11/2010 Handler F16L 3/1058
248/339

D628,539 S * 12/2010 Tezak D13/152

D660,133 S * 5/2012 Yoder D8/354

D662,809 S * 7/2012 Zhang D8/380

D718,101 S * 11/2014 Mason D8/14

D730,719 S * 6/2015 Sundberg D8/354

D744,319 S * 12/2015 White D8/354

* cited by examiner

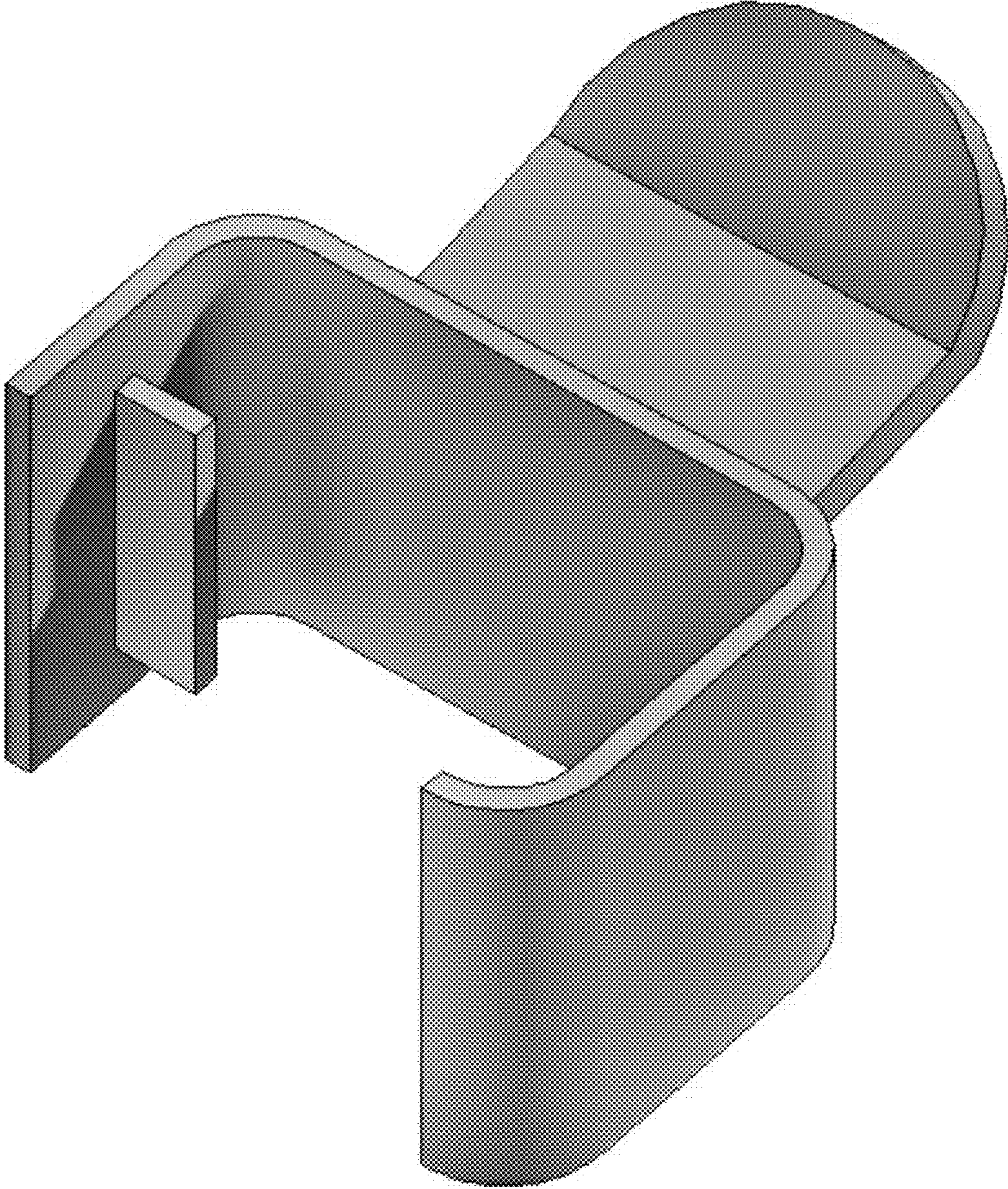


Fig. 1

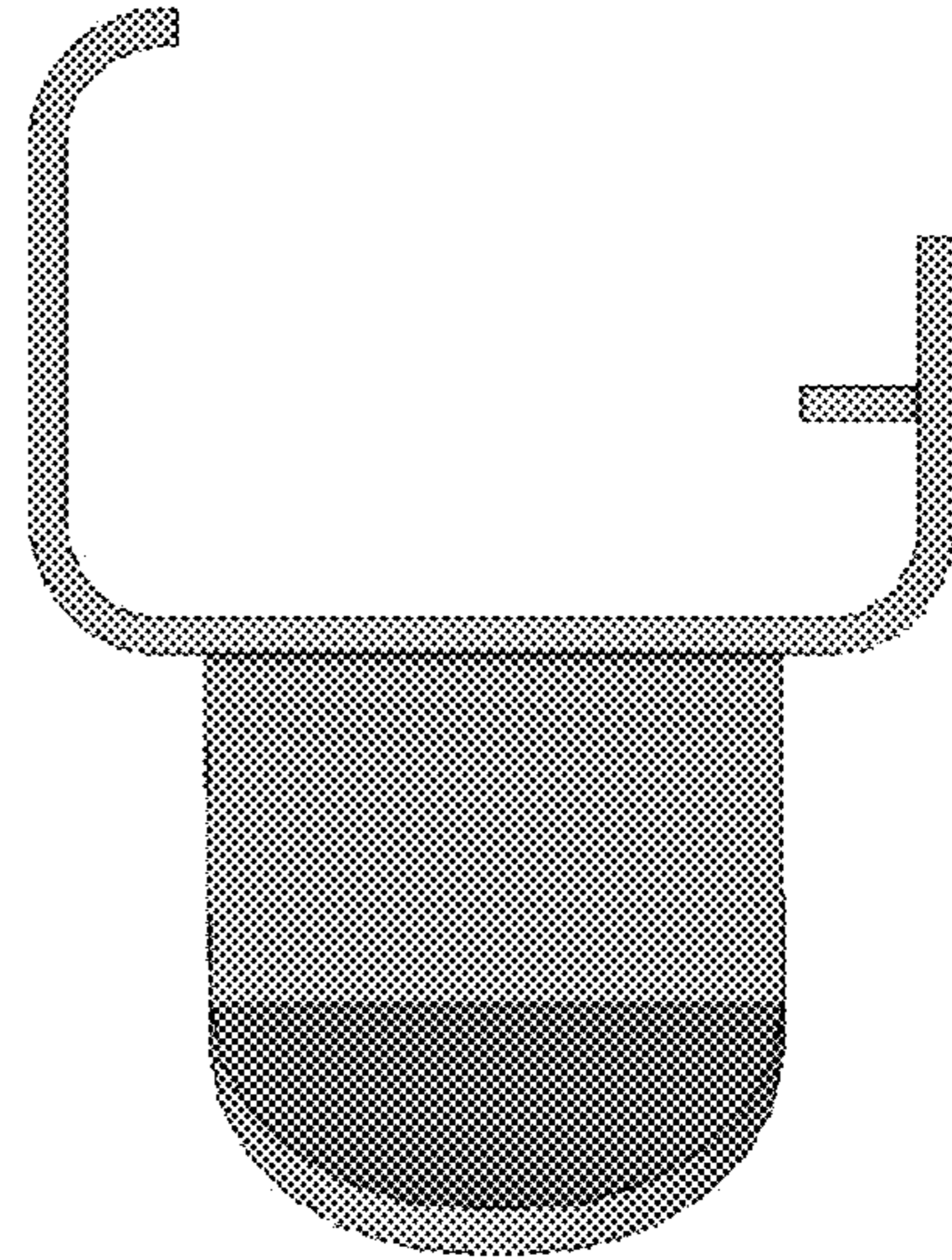


Fig. 2

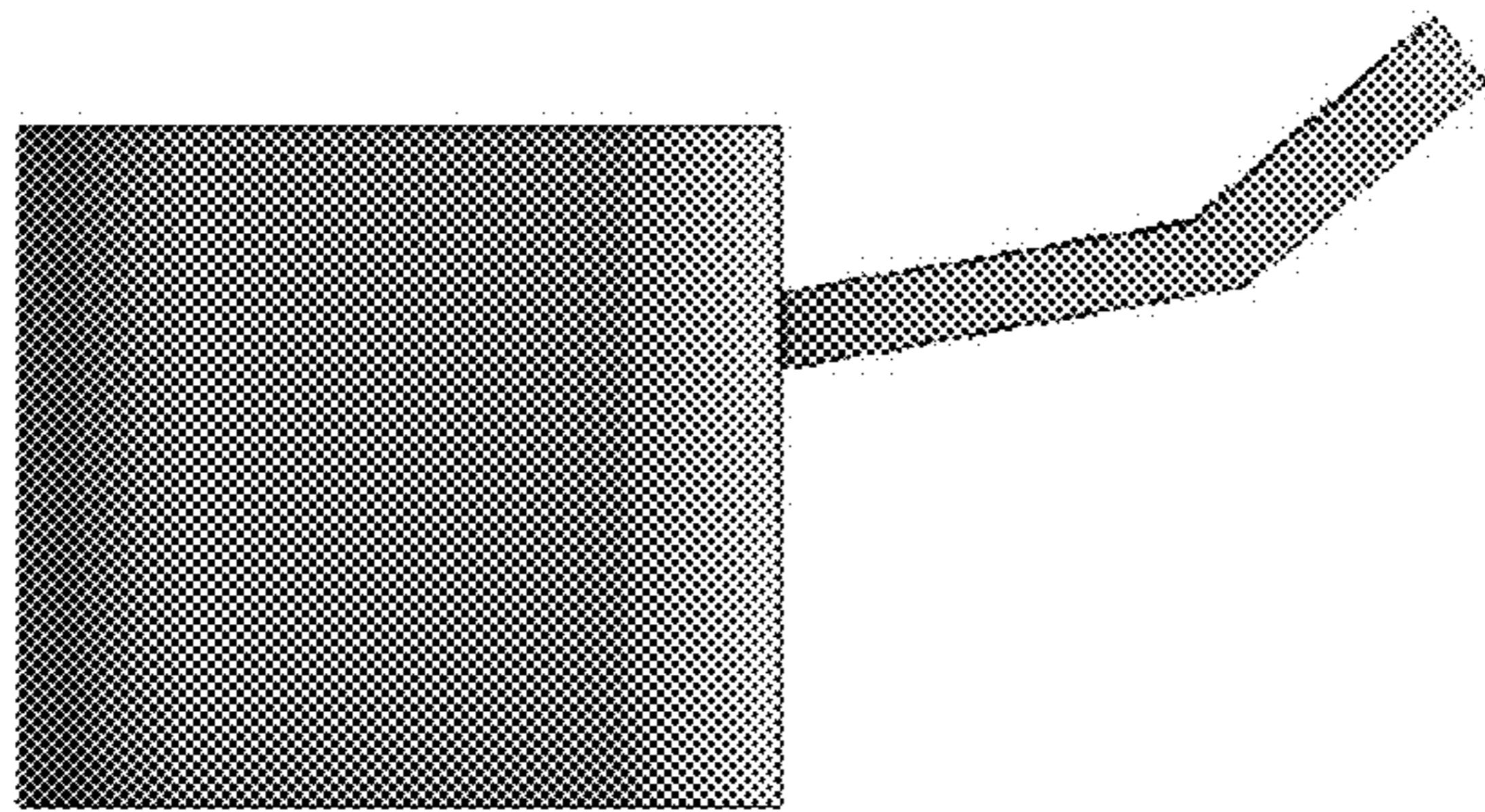


Fig. 3

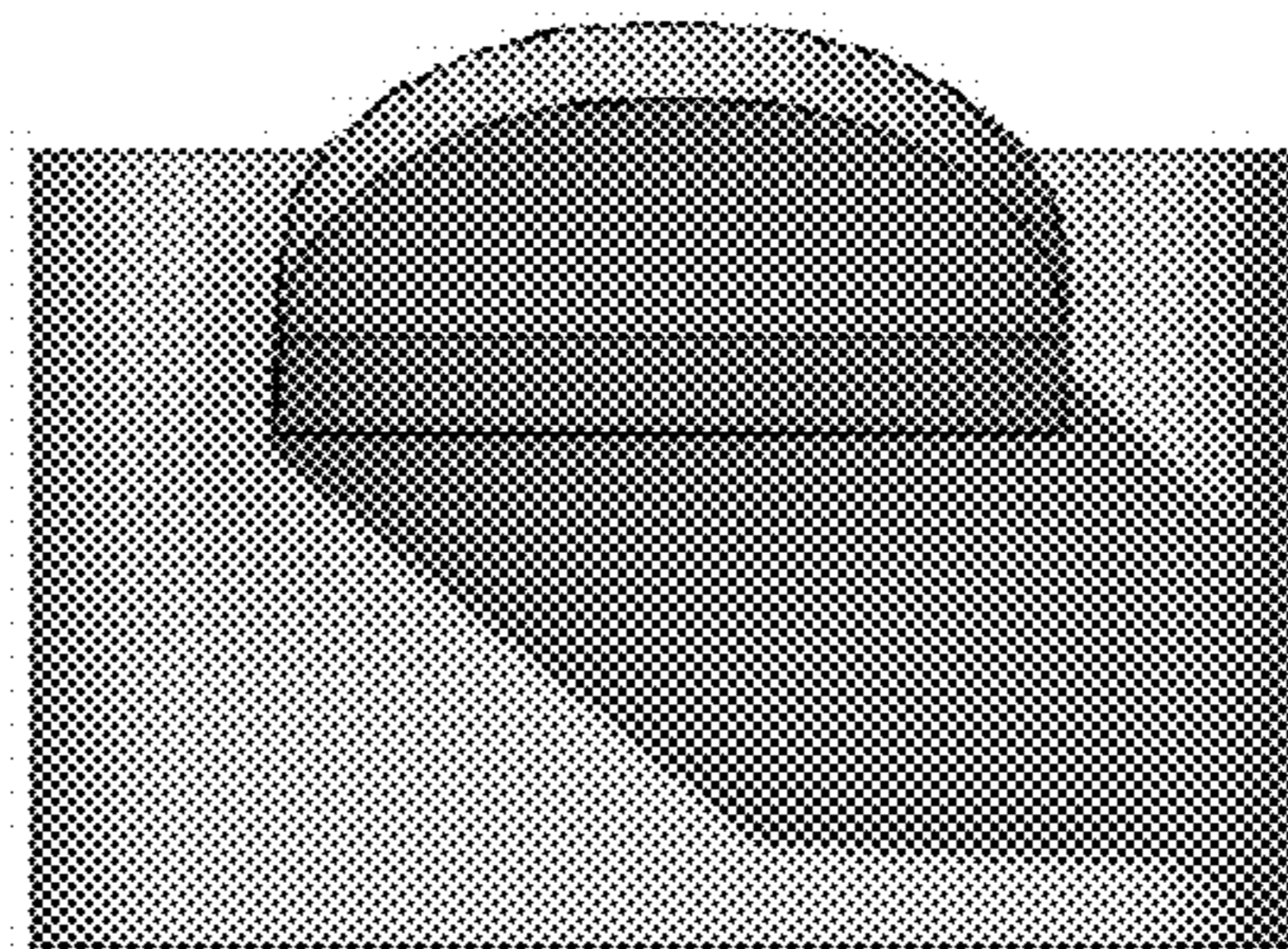


Fig. 4

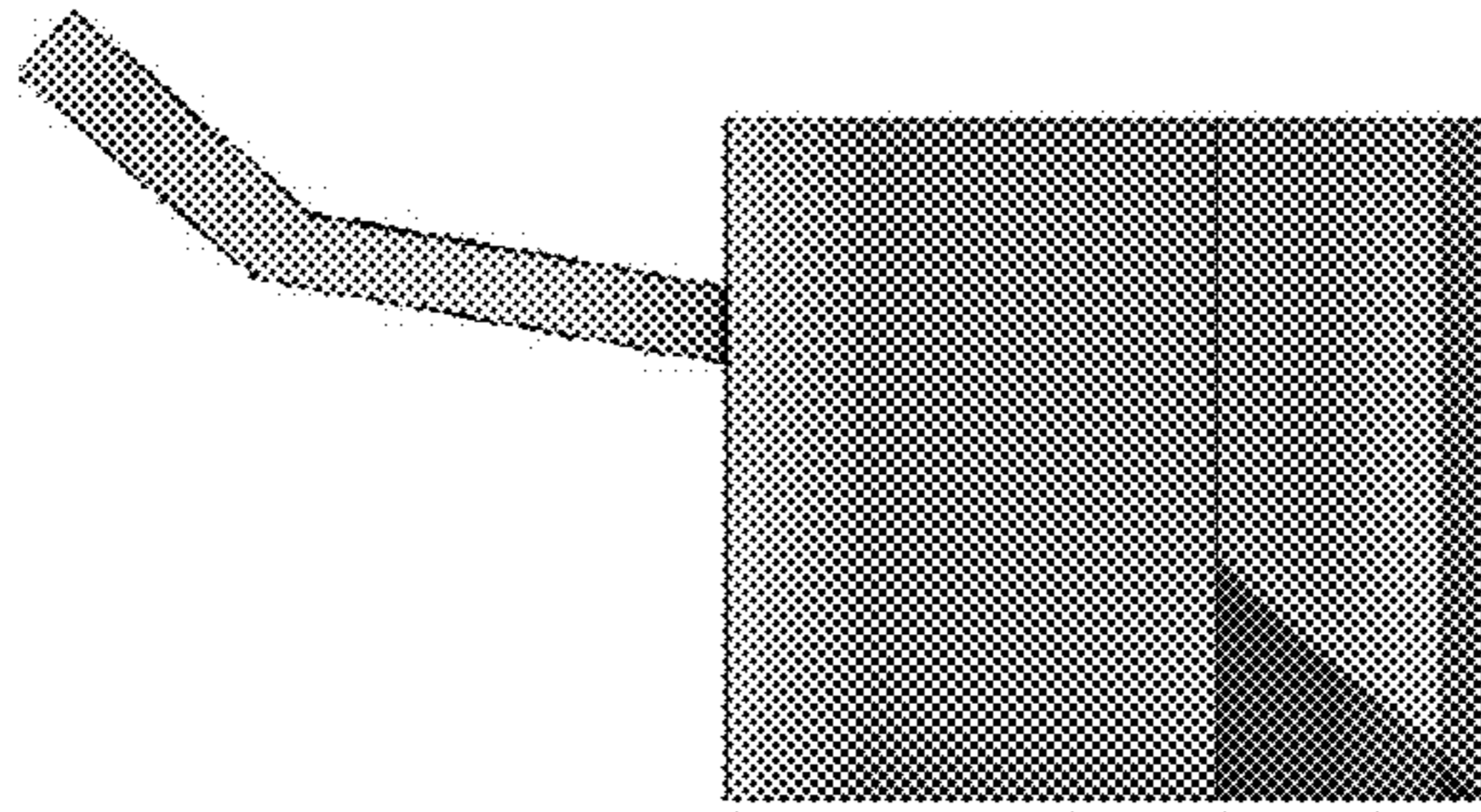


Fig. 5

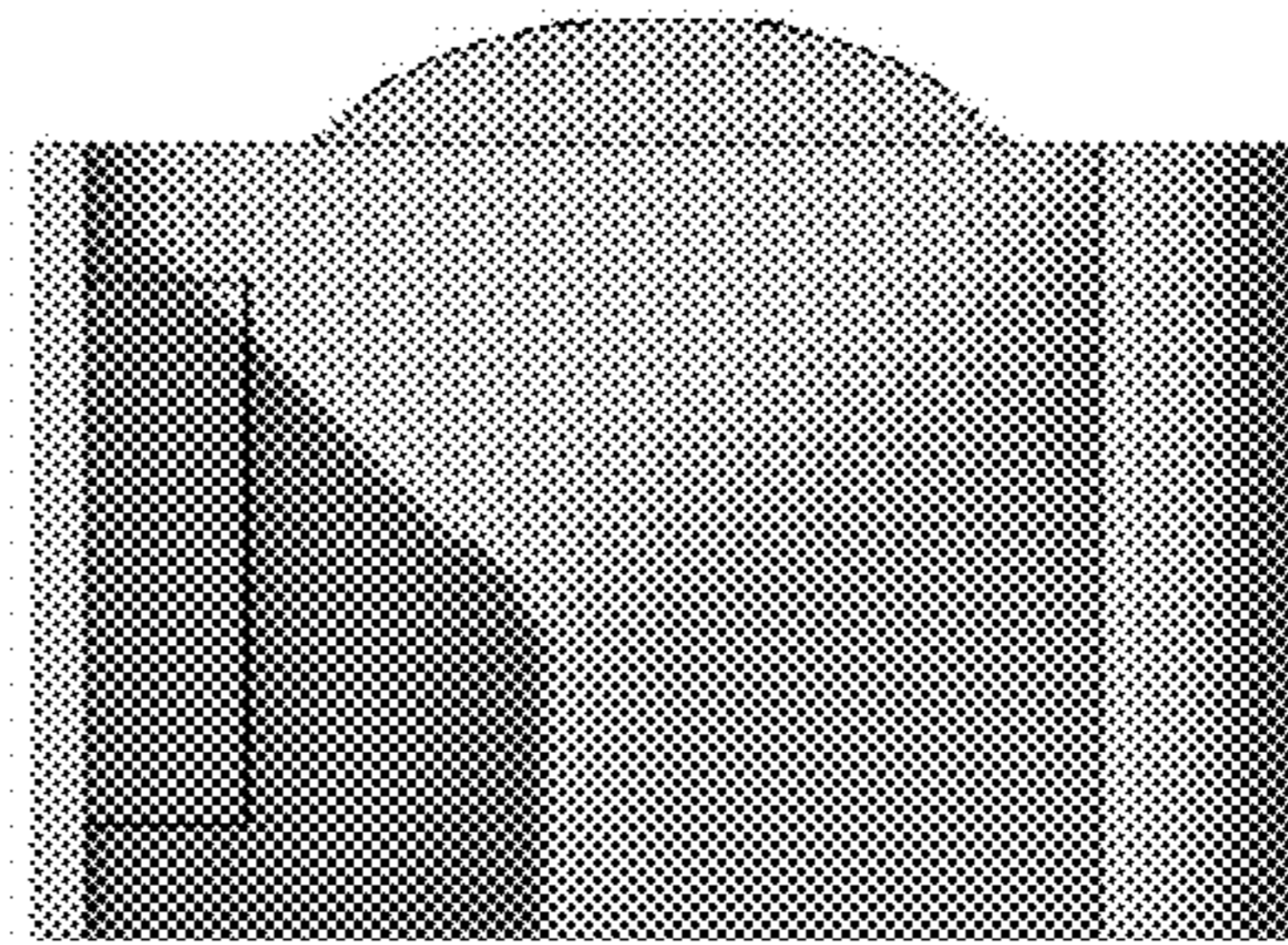


Fig. 6

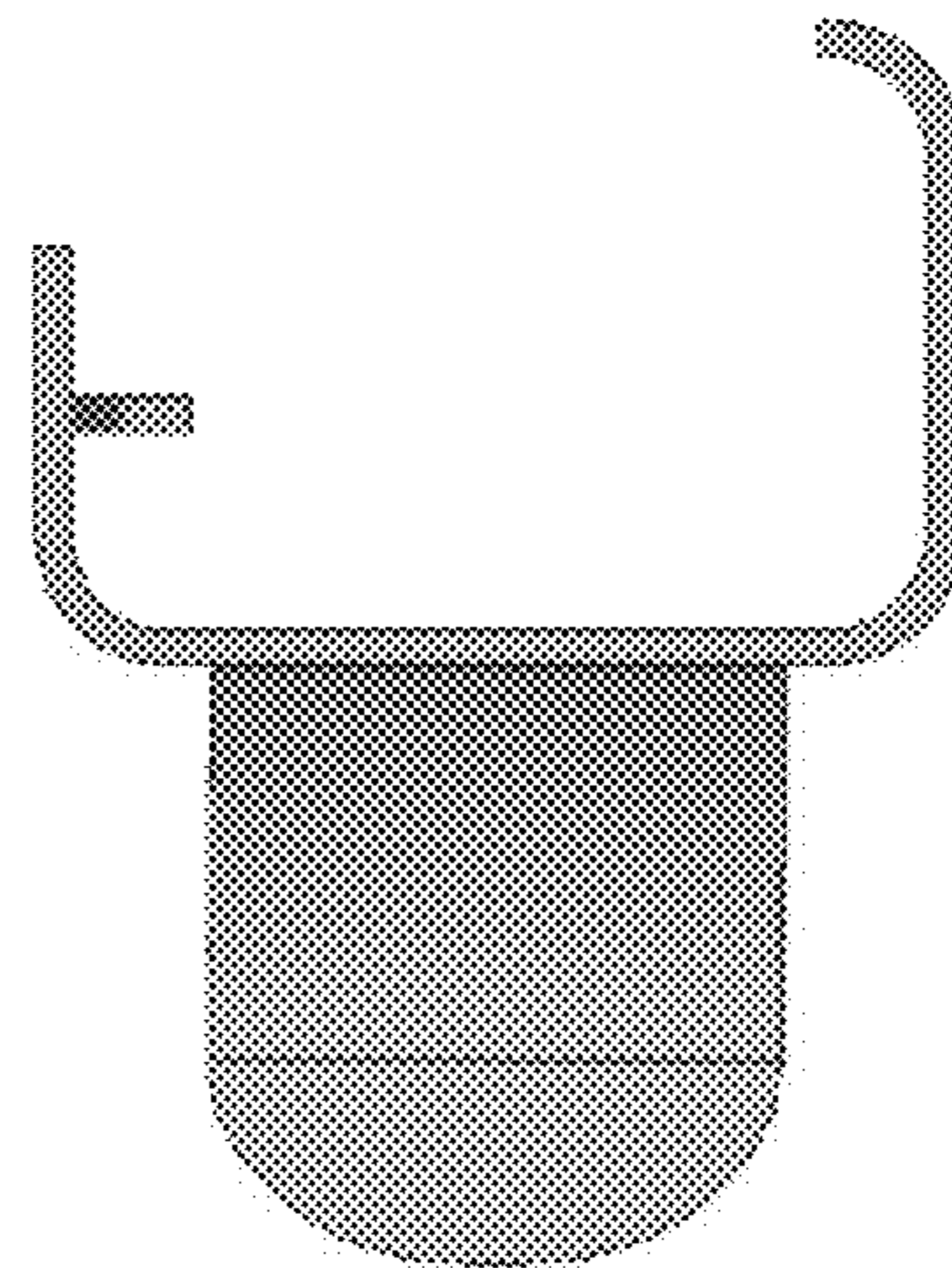


Fig. 7

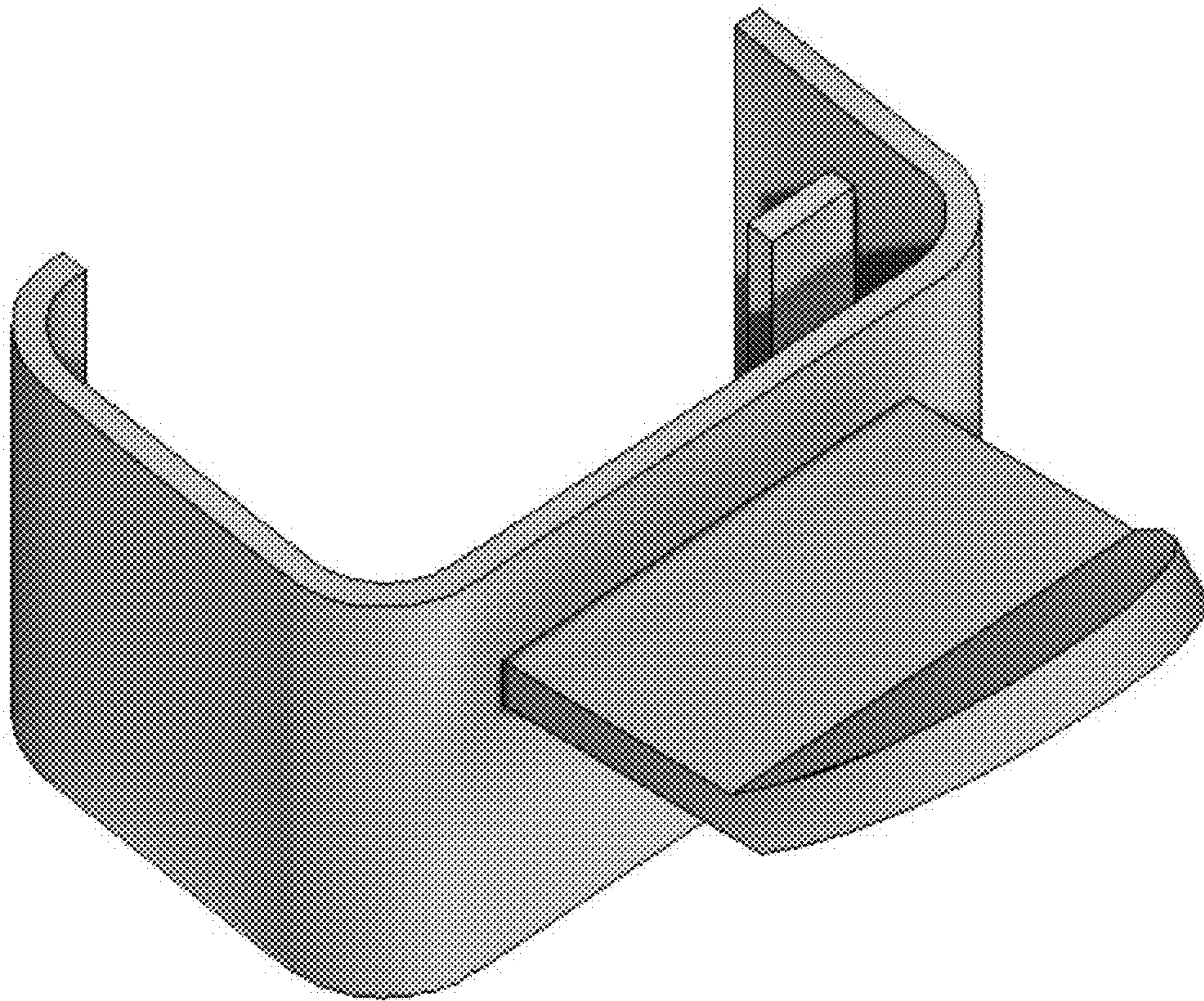


Fig. 8

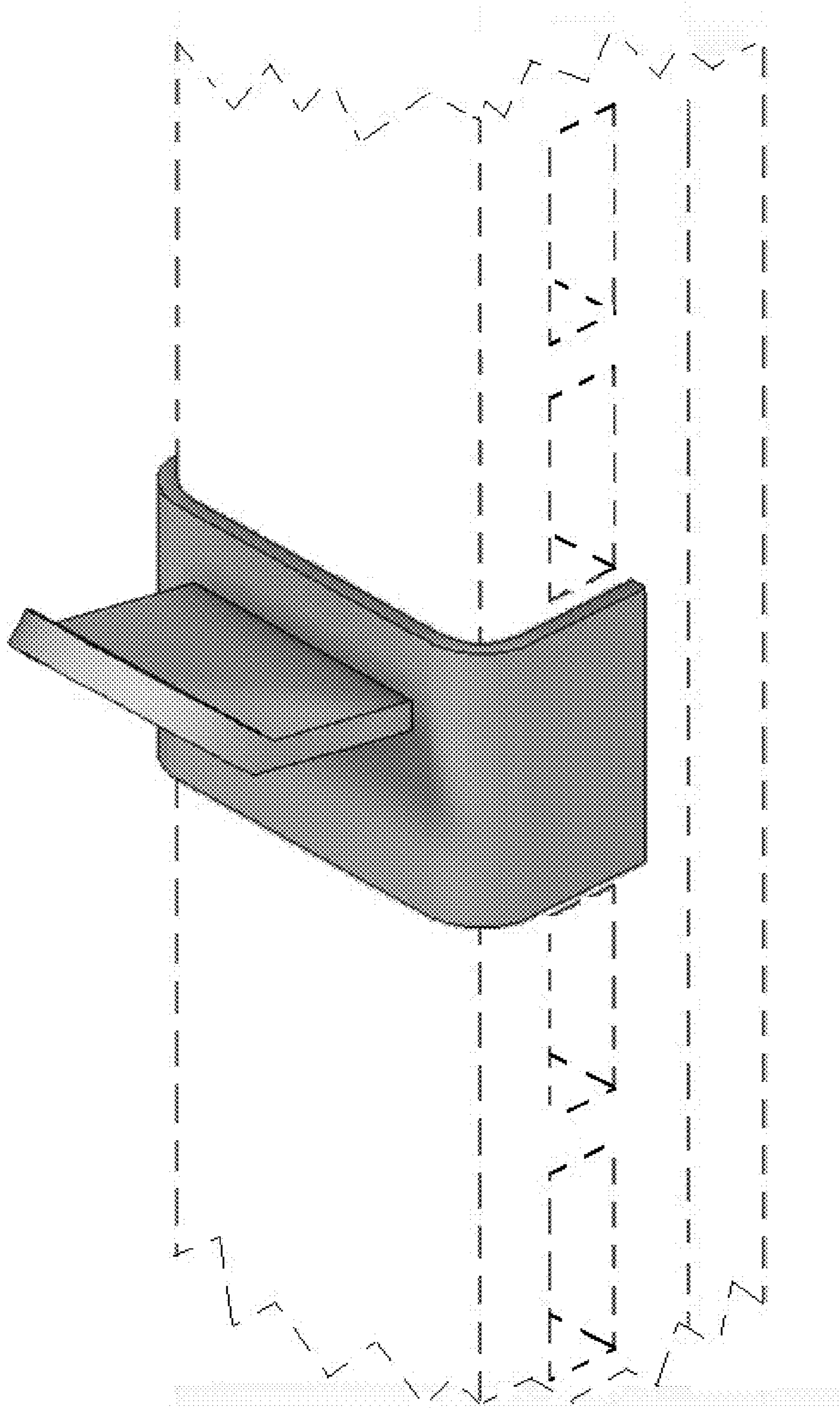


Fig. 9

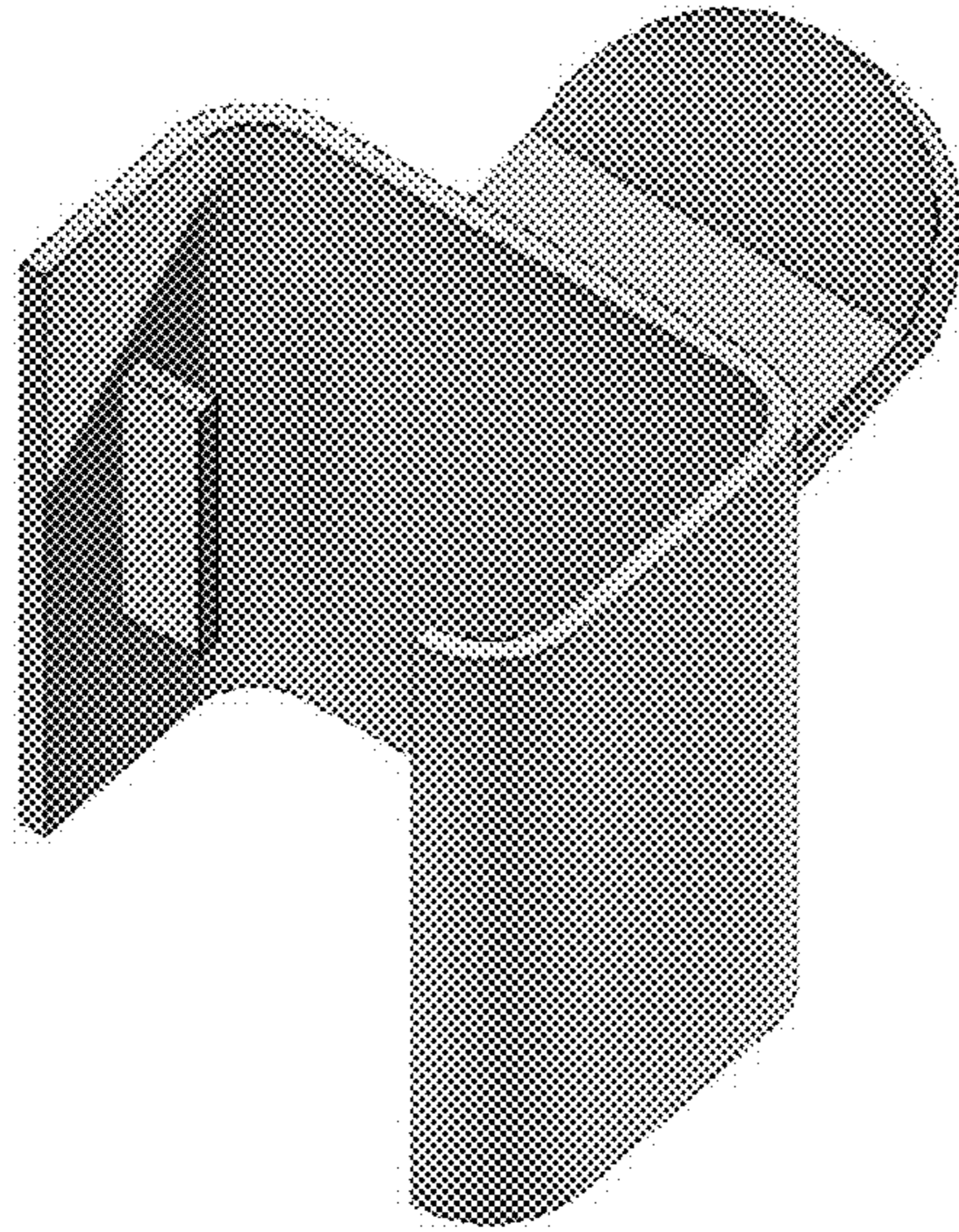


Fig. 10

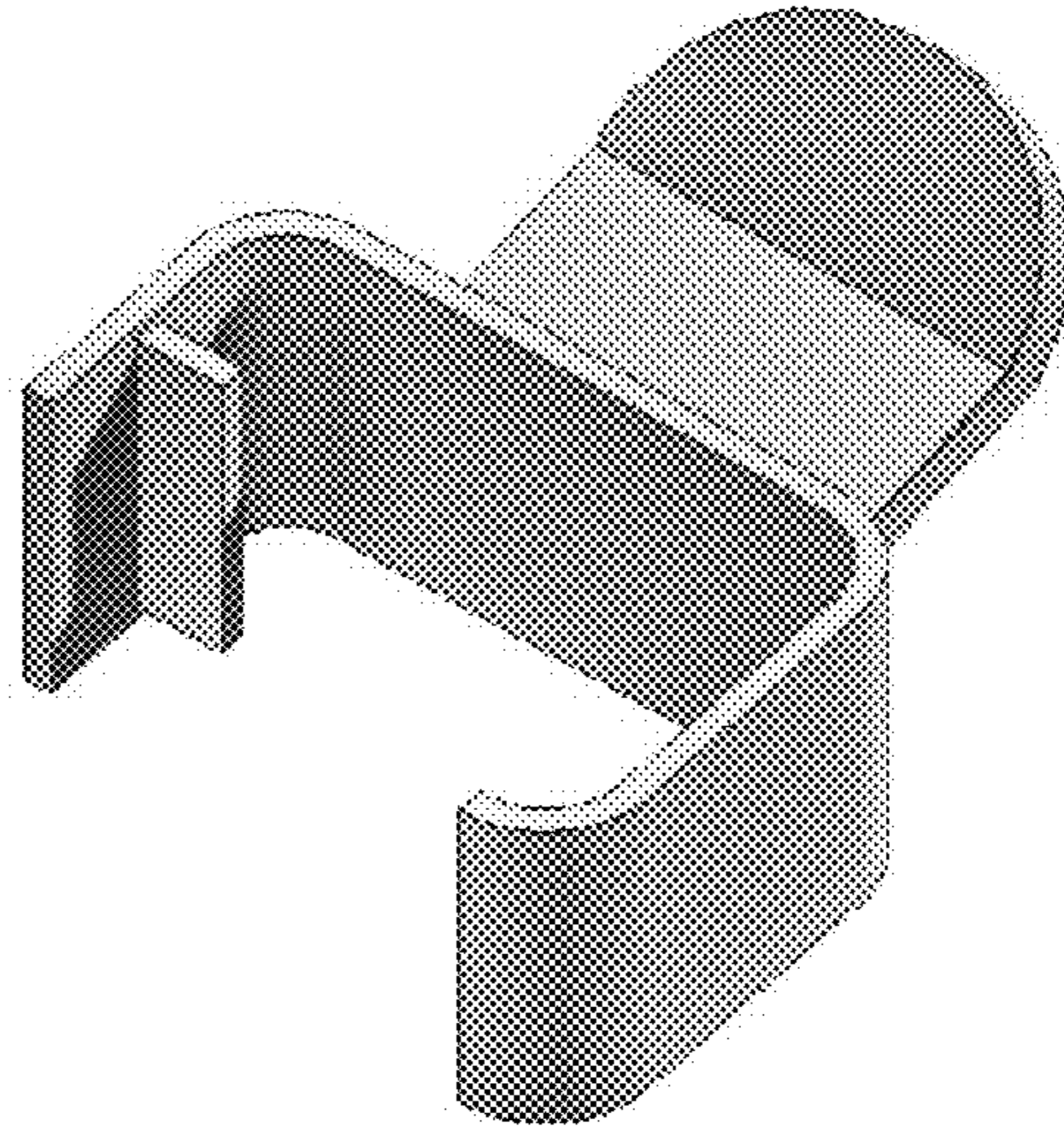


Fig. 11

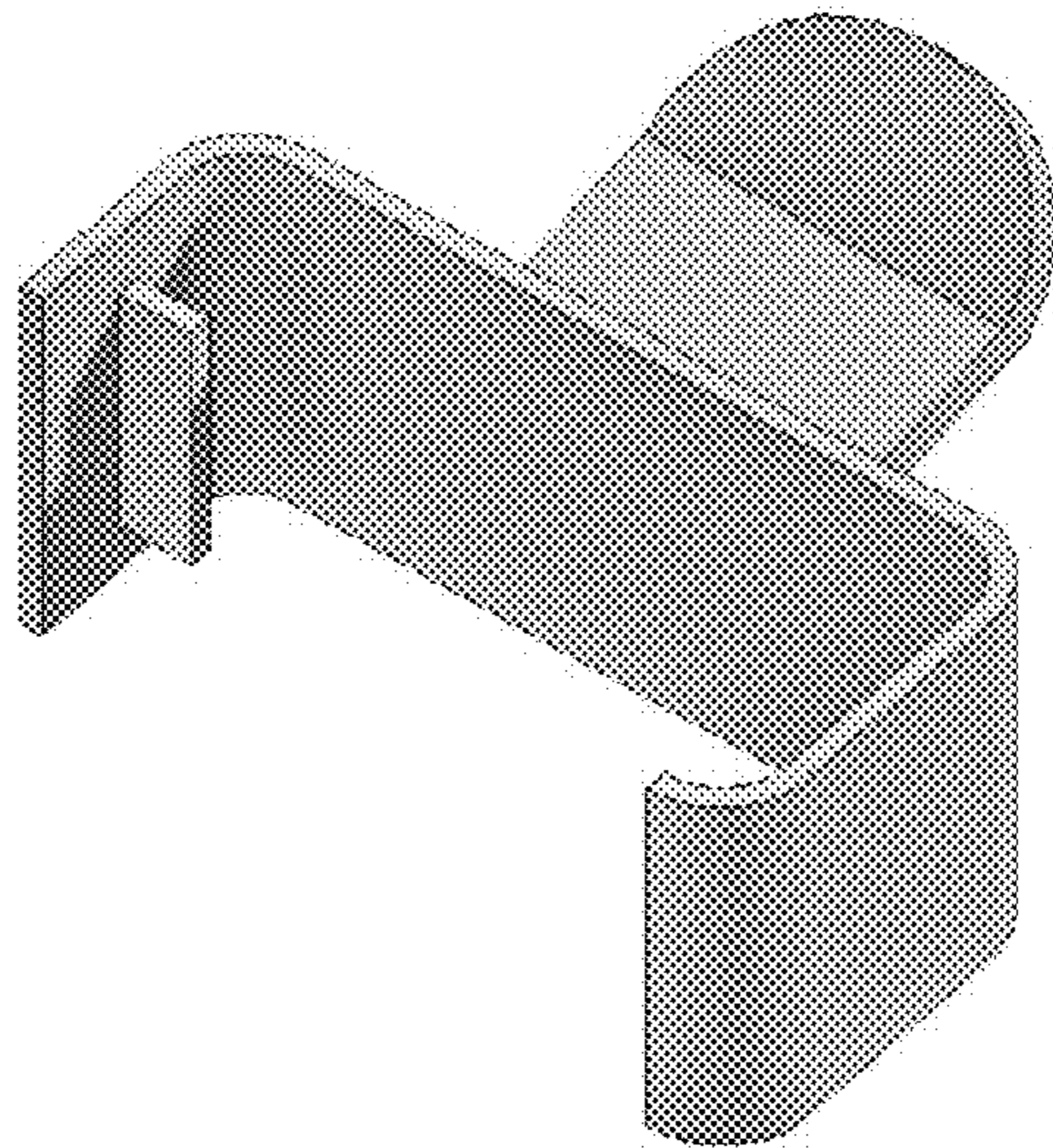


Fig. 12

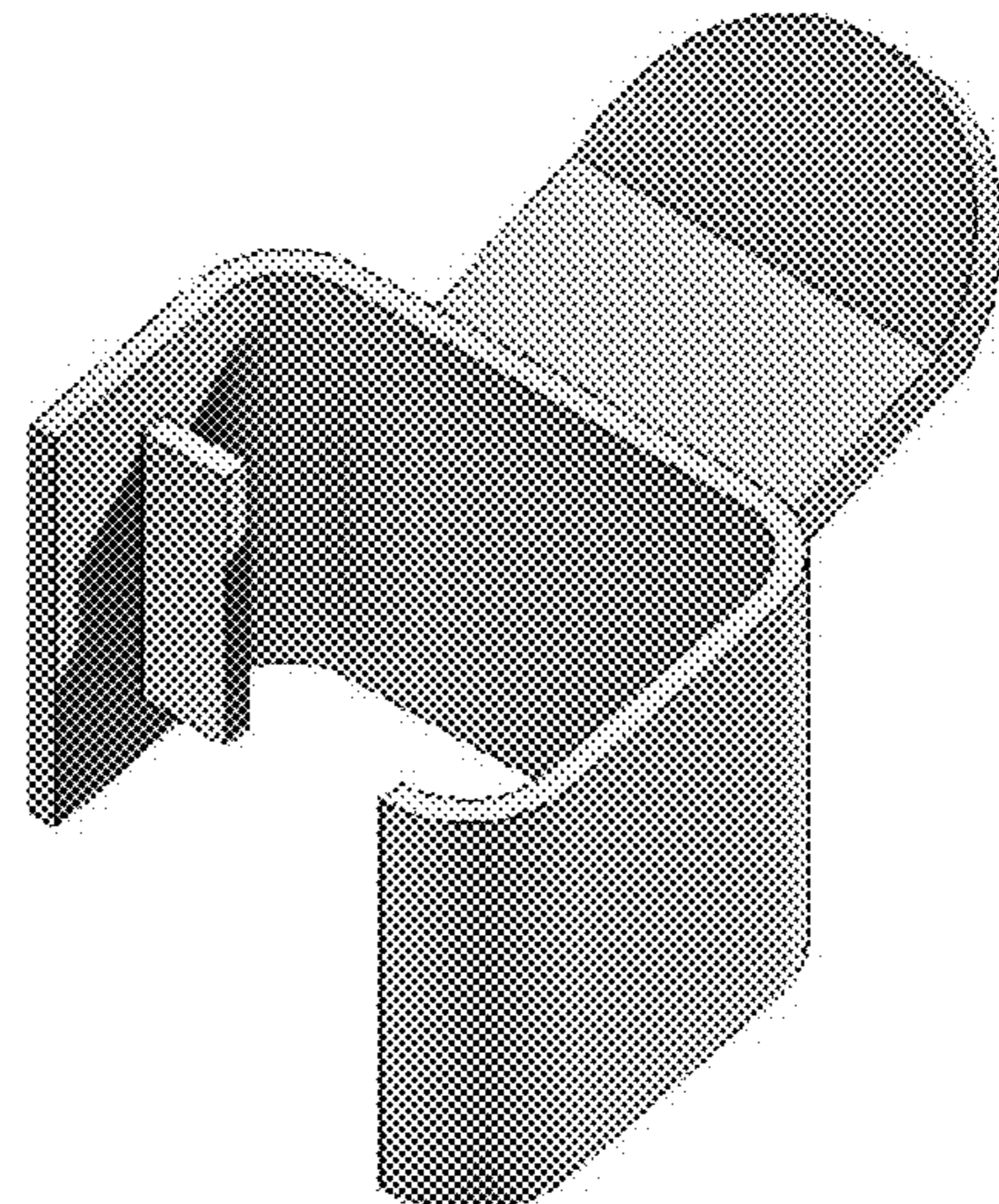


Fig. 13

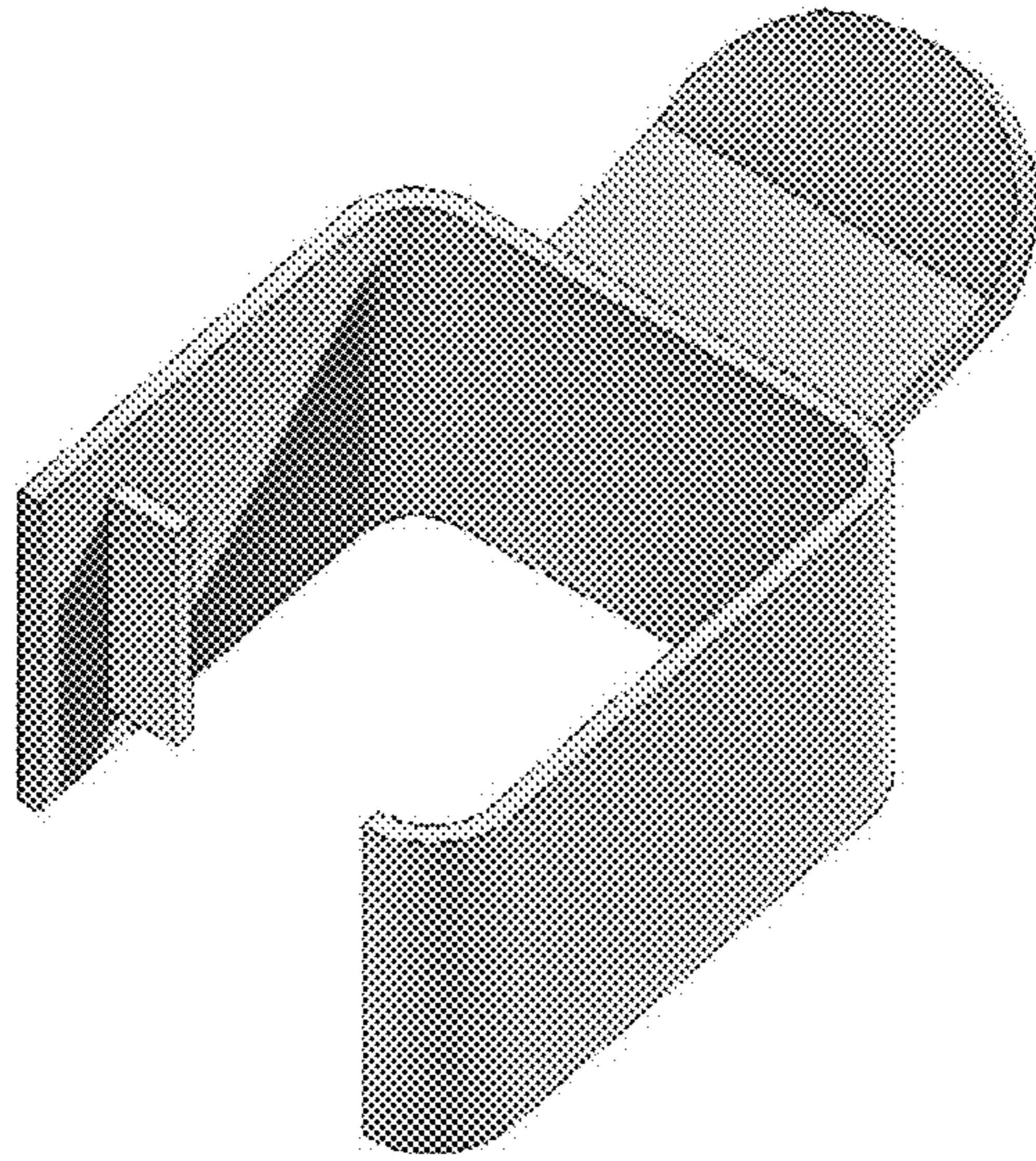


Fig. 14

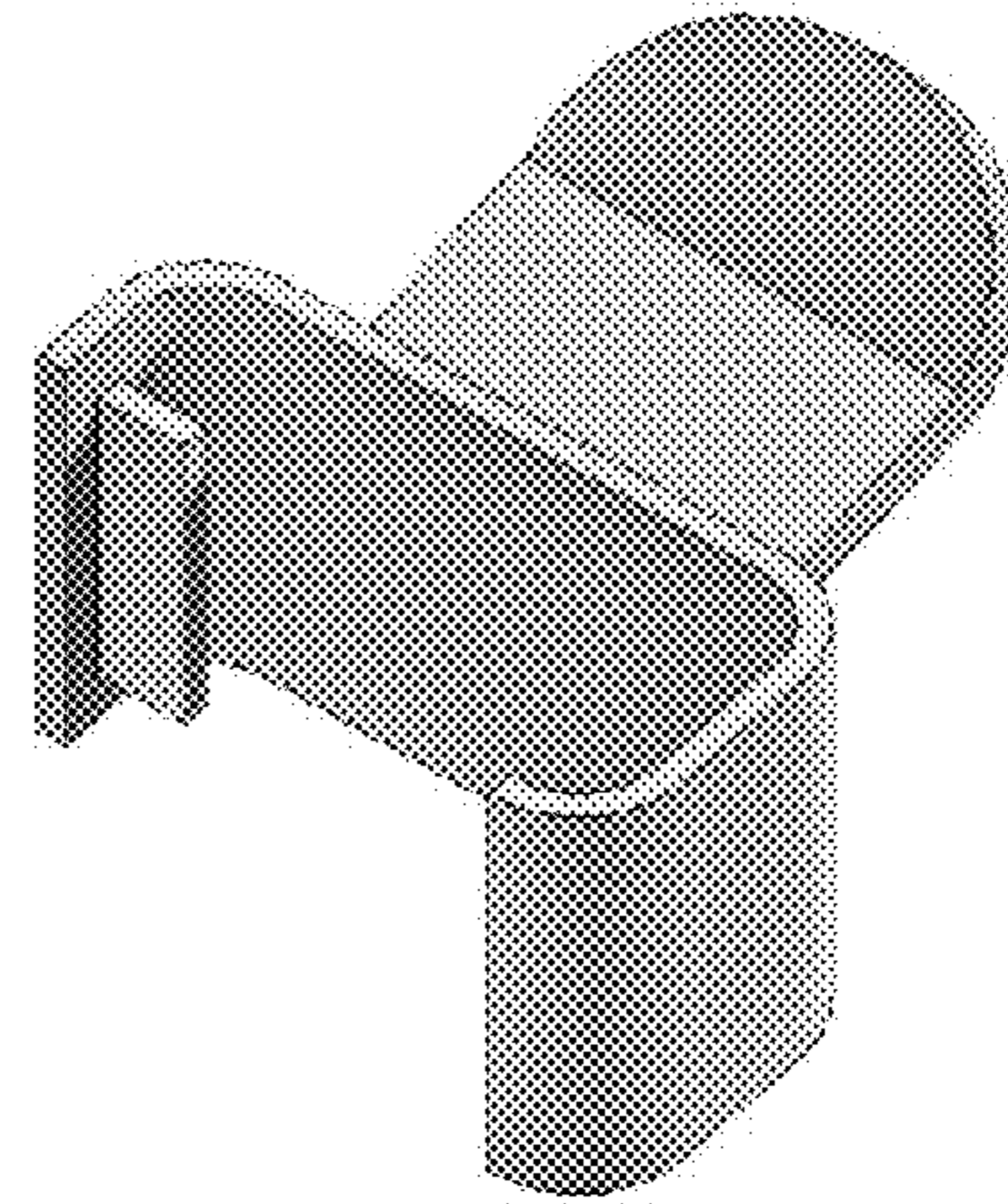


Fig. 15

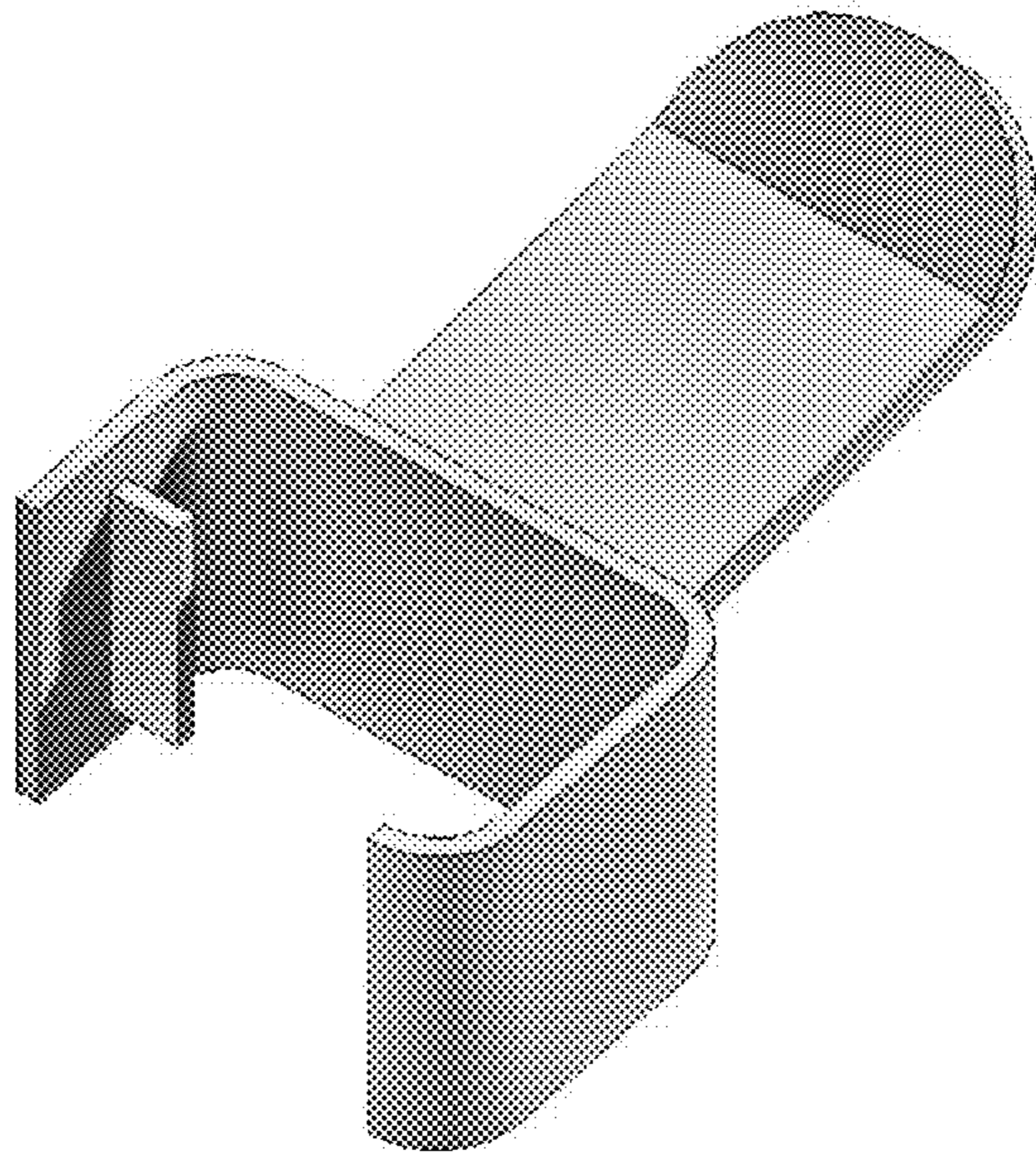


Fig. 16

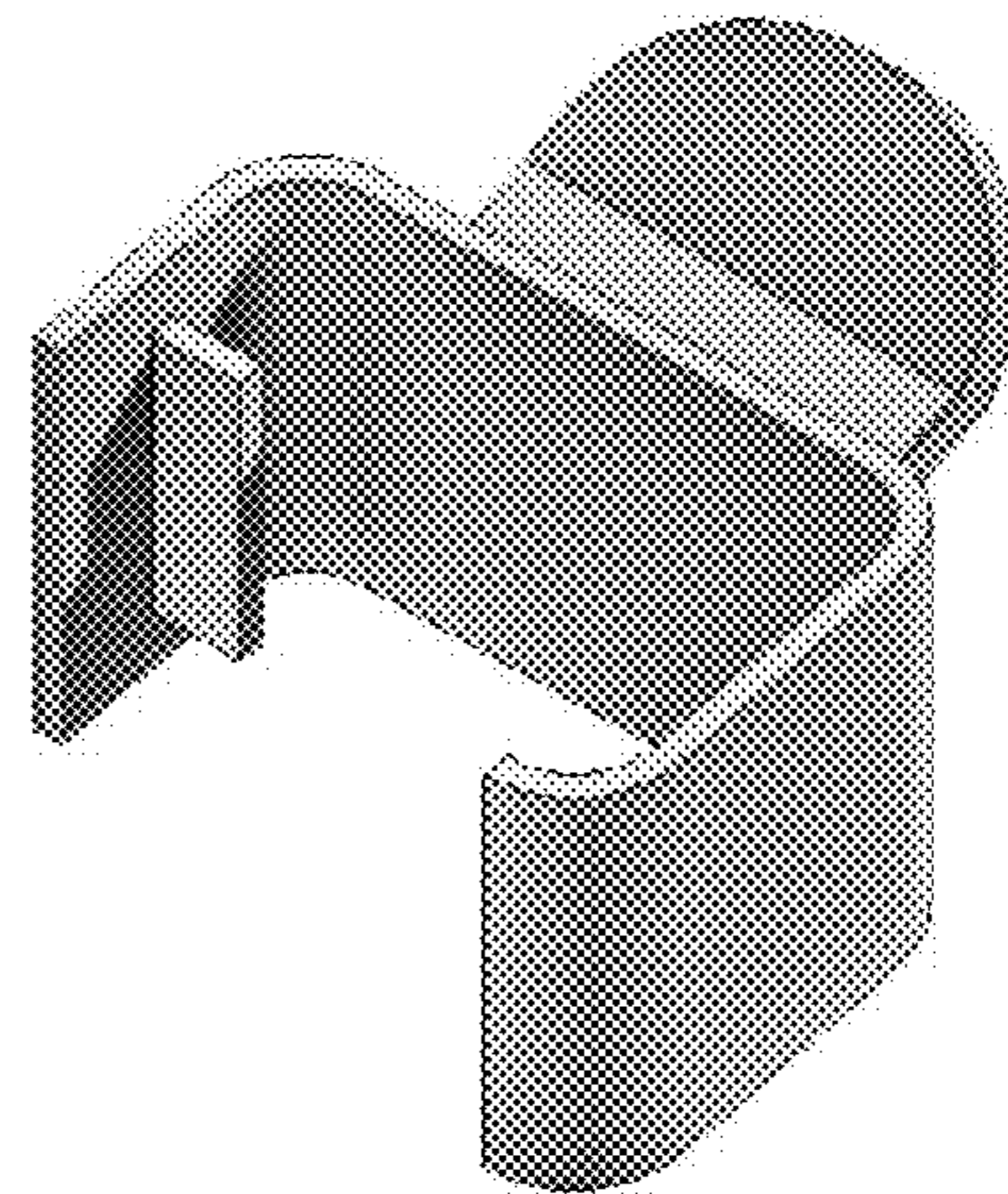


Fig. 17