



US00D753983S

(12) **United States Design Patent**
Toye

(10) **Patent No.:** **US D753,983 S**
(45) **Date of Patent:** **** Apr. 19, 2016**

(54) **CORNER REINFORCING PART FOR A CANOPY**

(71) Applicant: **Jonathan Dallas Toye**, Auckland (NZ)

(72) Inventor: **Jonathan Dallas Toye**, Auckland (NZ)

(73) Assignee: **Extenday IP Limited**, Auckland (NZ)

(**) Term: **14 Years**

(21) Appl. No.: **29/461,878**

(22) Filed: **Jul. 29, 2013**

(51) **LOC (10) Cl.** **08-08**

(52) **U.S. Cl.**
USPC **D8/349**

(58) **Field of Classification Search**
USPC D8/349, 354, 382, 400, 403, 499;
D6/300, 607; D25/60, 102
CPC A47B 95/043; A47B 95/00; A47C 7/004;
B65D 85/00; B65D 85/48; B65D 81/056;
B65D 2581/053; B65D 81/05; E04F 13/06;
E04F 19/0436; E04F 19/0495; E04H 15/32;
F16B 45/00
See application file for complete search history.

(56) **References Cited**

U.S. PATENT DOCUMENTS

D60,006 S * 12/1921 Adams D19/99
3,446,345 A * 5/1969 Frosoy 206/453

D260,590 S * 9/1981 Hobson D8/403
D361,846 S * 8/1995 Te’Kannon D25/60
D393,408 S * 4/1998 Mladineo D8/354
D400,780 S * 11/1998 Wurdack D8/374
5,921,056 A * 7/1999 Weiss et al. 52/745.16
D415,677 S * 10/1999 Cheung D8/403
D615,853 S * 5/2010 Sullivan D8/380
D669,759 S * 10/2012 Castilleja et al. D8/354
8,403,585 B2 * 3/2013 Falconer et al. 403/205
D684,449 S * 6/2013 Frey D8/71
2009/0250367 A1 * 10/2009 Murdoch et al. 206/453

* cited by examiner

Primary Examiner — Thomas Johannes

Assistant Examiner — Shawn T Gingrich

(74) *Attorney, Agent, or Firm* — Lowe Graham Jones PLLC

(57) **CLAIM**

I claim the ornamental design for a corner reinforcing part for a canopy, as shown and described.

DESCRIPTION

FIG. 1 shows a front view of a corner reinforcing part for a canopy showing my new design;

FIG. 2 is a first side view thereof, the other side being identical thereto;

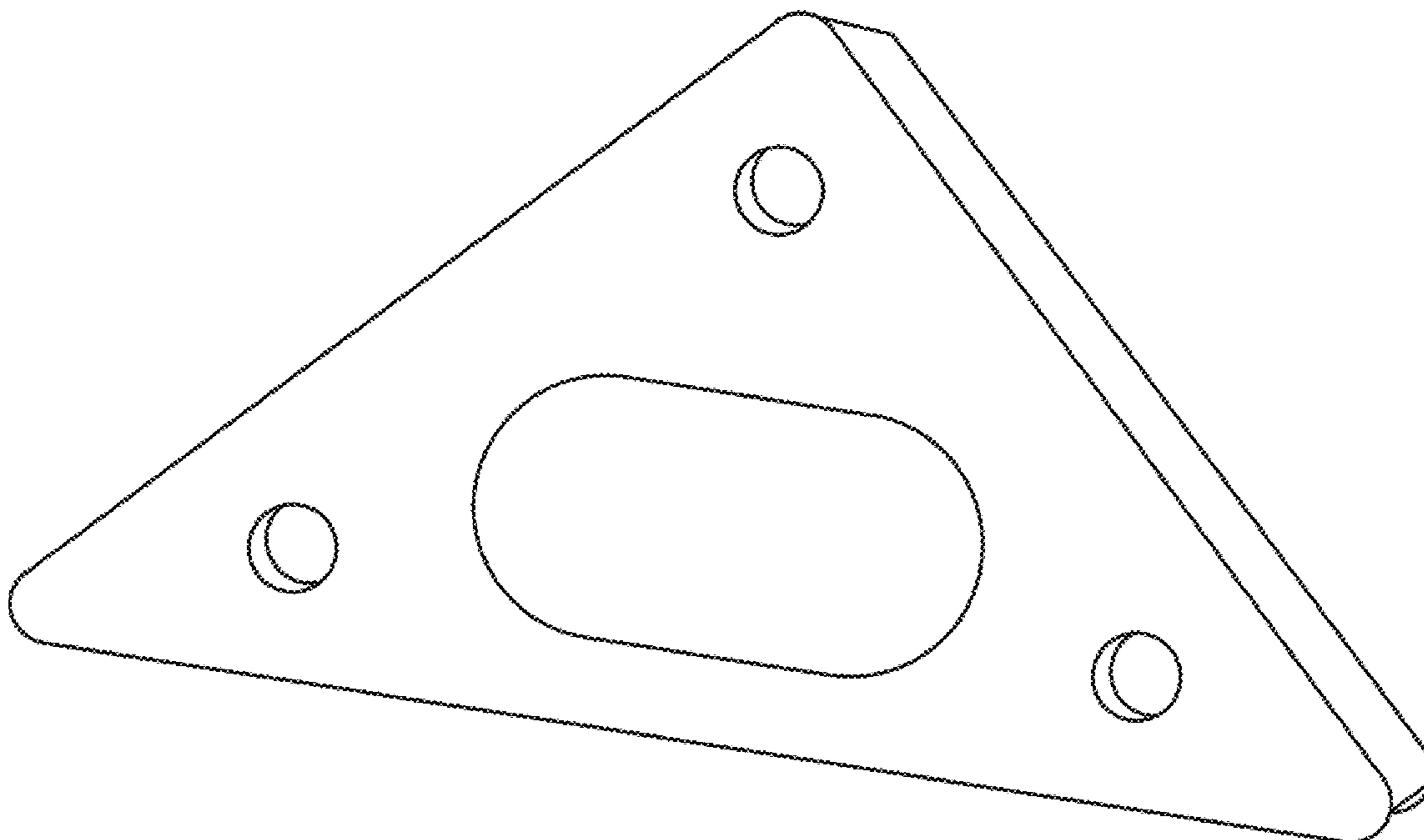
FIG. 3 is a top plan view thereof;

FIG. 4 is a bottom plan view thereof; and,

FIG. 5 is a front perspective view thereof.

The inventor has invented a new, original, and ornamental design for a ridge corner reinforcing part for a canopy as shown in the several views of the drawing.

1 Claim, 1 Drawing Sheet



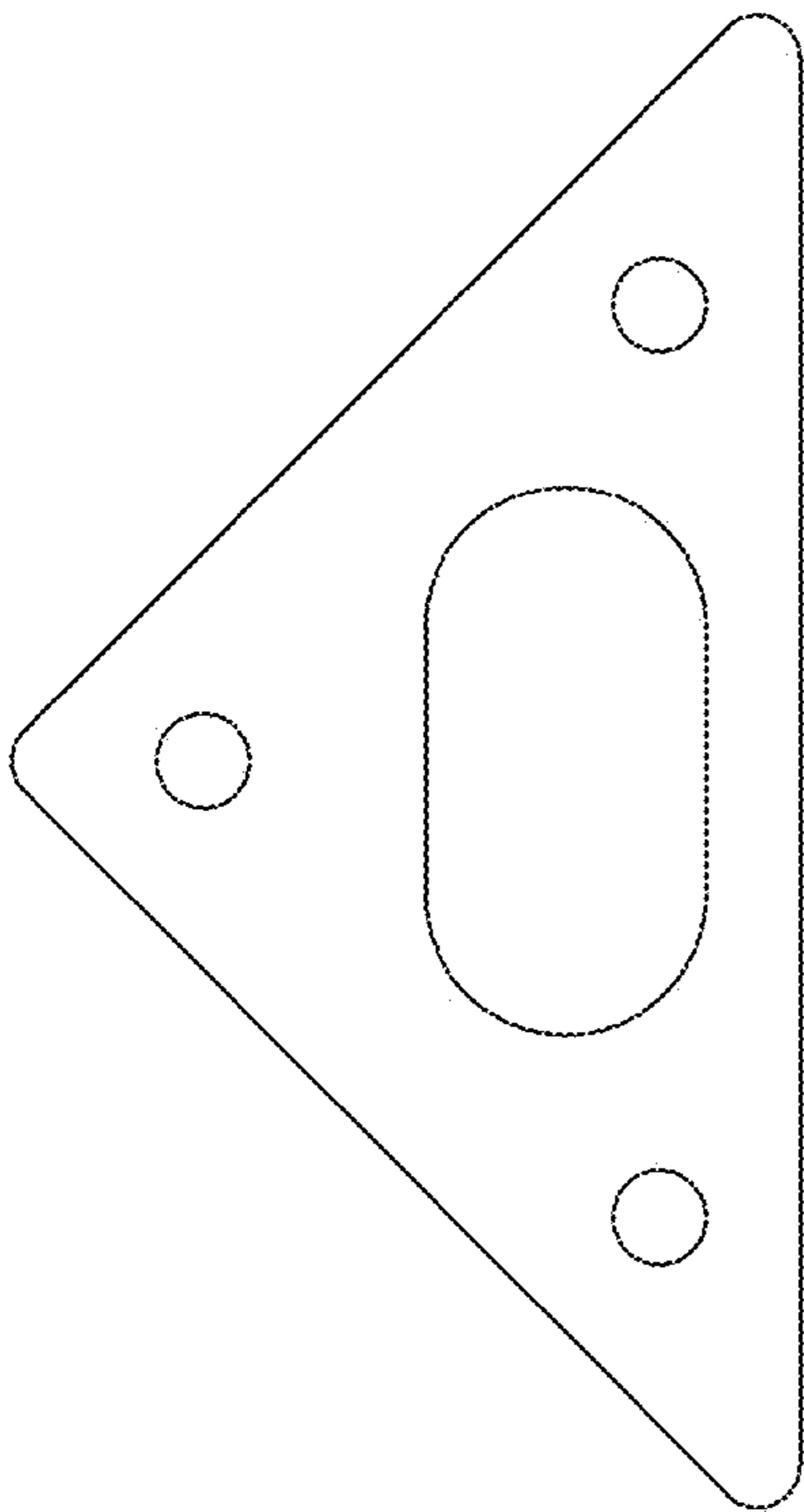


FIGURE 1

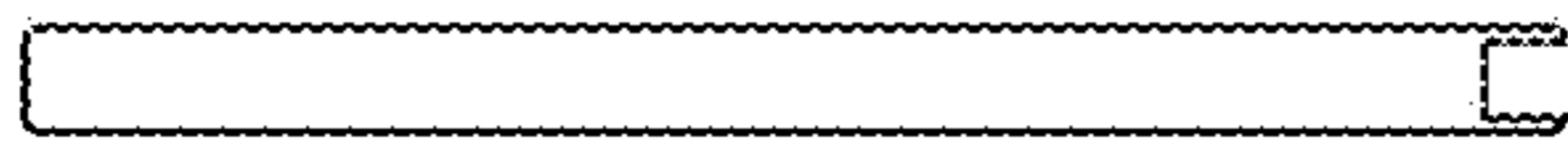


FIGURE 2

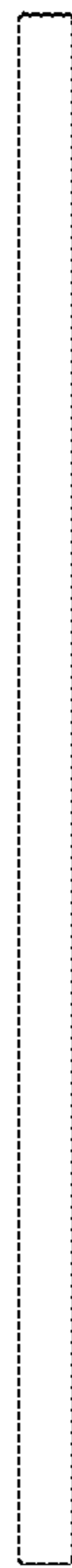


FIGURE 3



FIGURE 4

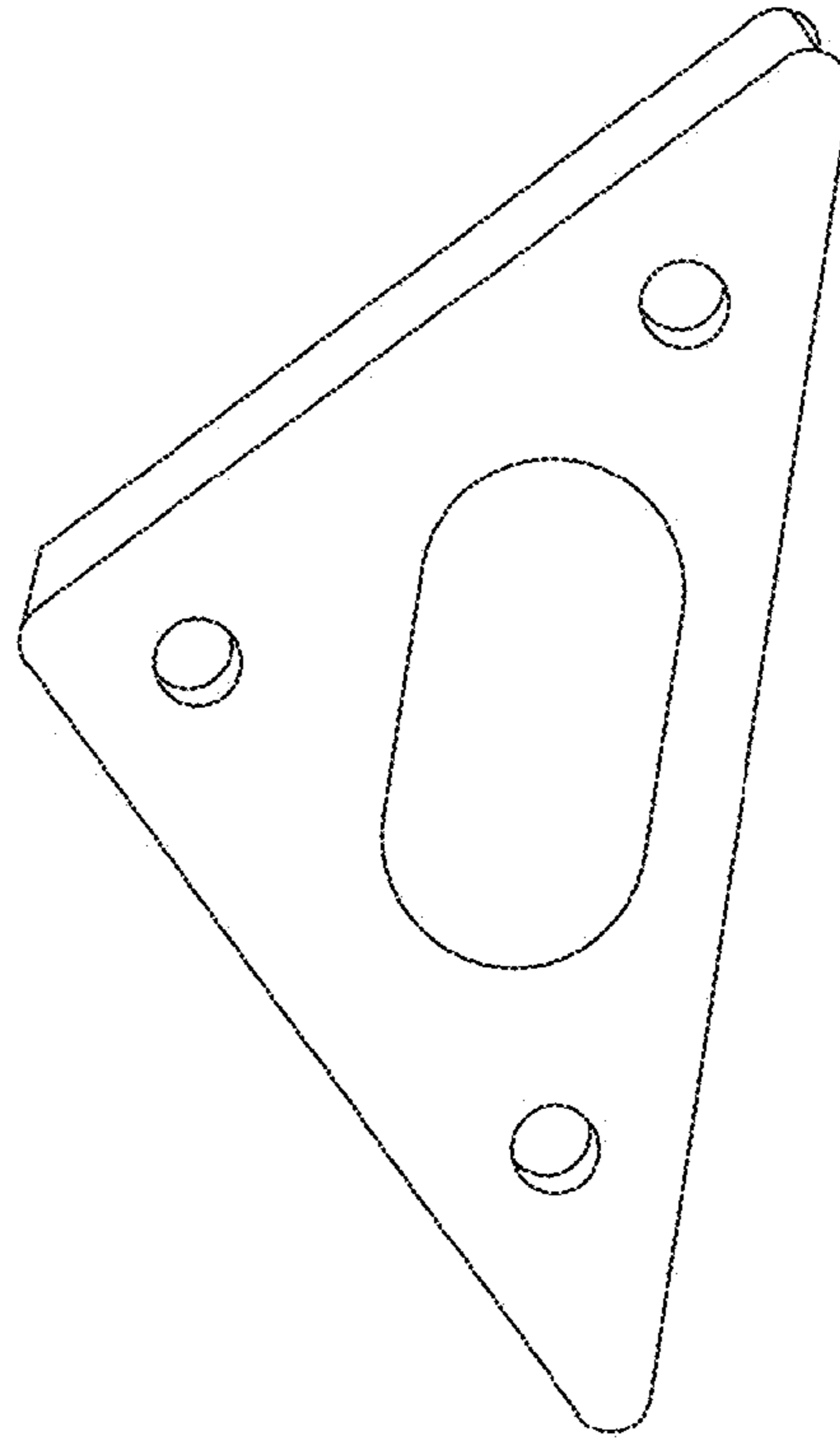


FIGURE 5