



US00D753981S

(12) **United States Design Patent**
Laxamana

(10) **Patent No.:** **US D753,981 S**
(45) **Date of Patent:** **** Apr. 19, 2016**

(54) **WINDOW AIR CONDITIONER SECURITY LOCK**

(71) Applicant: **Jose Laxamana**, Pomona, CA (US)

(72) Inventor: **Jose Laxamana**, Pomona, CA (US)

(**) Term: **14 Years**

(21) Appl. No.: **29/521,965**

(22) Filed: **Mar. 26, 2015**

(51) **LOC (10) Cl.** **08-07**

(52) **U.S. Cl.**
USPC **D8/331; D8/341**

(58) **Field of Classification Search**
USPC D8/330, 331, 339, 341, 343, 349, 354,
D8/355, 400; 70/1.5, 57.1, 95, 141, 465,
70/466, 78, 79, 80; 292/21, 32, 135, 259 R,
292/259 A, 289, 290, 292
CPC G08B 13/08; E05C 3/00; E05C 5/00;
E05C 19/00

See application file for complete search history.

(56) **References Cited**

U.S. PATENT DOCUMENTS

1,864,883	A	6/1932	Anderson	
2,912,268	A *	11/1959	Markovich E05B 65/0888 16/82
D228,874	S *	10/1973	Thompson et al. D8/341
4,617,810	A	10/1986	Fish et al.	
D289,491	S	4/1987	Johnson	
4,747,279	A	5/1988	Solow	
4,896,139	A *	1/1990	Eldridge G08B 13/08 200/61.71
4,935,047	A	6/1990	Wu	
D324,988	S *	3/1992	Walling D8/331
D341,308	S *	11/1993	Pritchard, II D8/338

5,267,458	A	12/1993	Heh	
D364,330	S *	11/1995	Virzi D8/341
D389,029	S *	1/1998	Grookett, Jr. D8/331
5,872,514	A *	2/1999	Neas E05B 19/0011 340/541
D418,391	S *	1/2000	Tsai D8/330
6,075,440	A *	6/2000	Carroll G08B 13/08 200/61.73
6,388,572	B1 *	5/2002	Salter G08B 13/08 340/545.1
6,778,086	B2 *	8/2004	Morrone E05B 65/0888 116/86
6,986,629	B2	1/2006	Gogel	
8,400,301	B1 *	3/2013	Kersch G08B 13/08 200/61.71

* cited by examiner

Primary Examiner — Prabhakar Deshmukh

(74) *Attorney, Agent, or Firm* — Kirk A. Buhler; Buhler & Associates

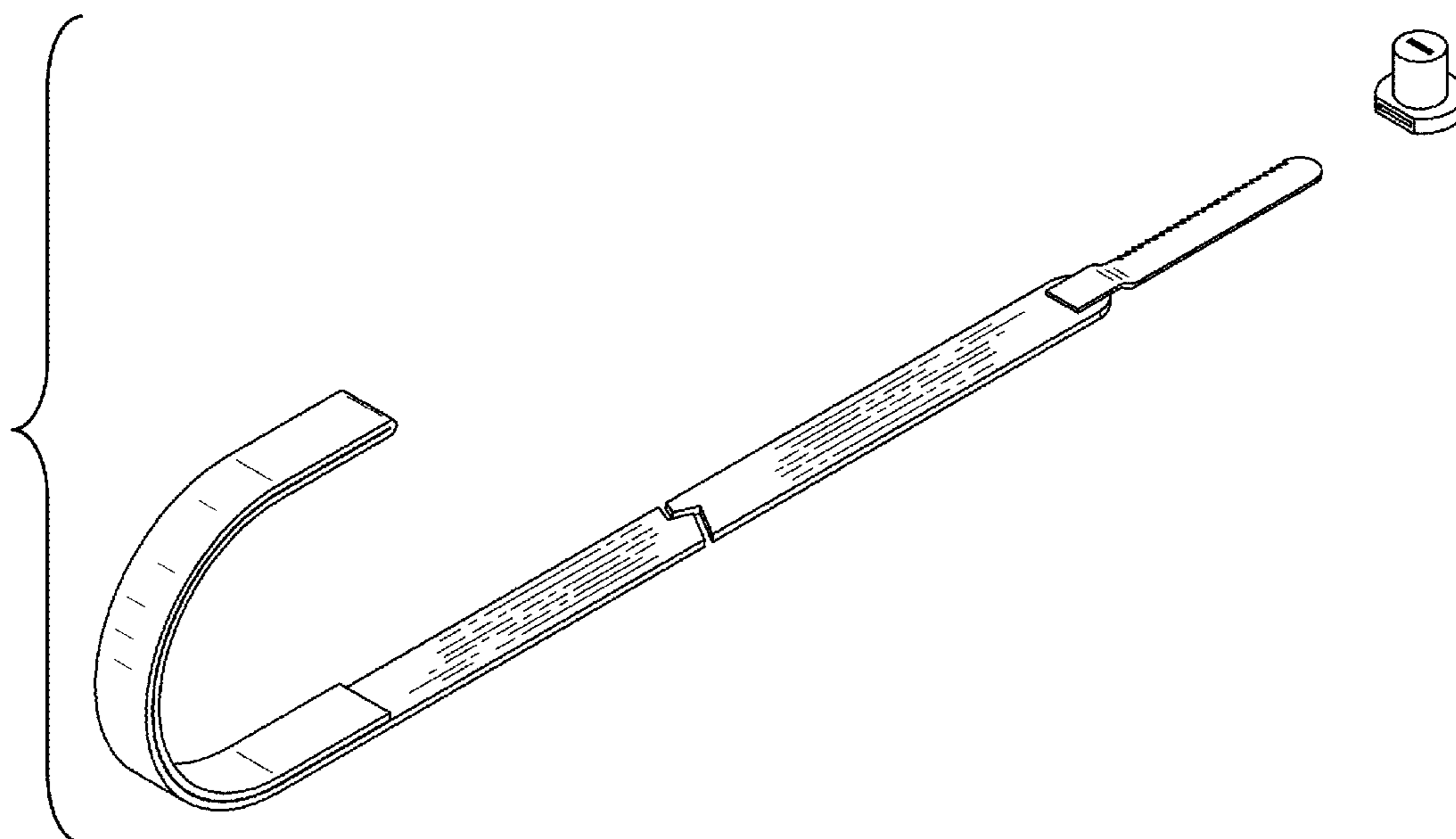
(57) **CLAIM**

The ornamental design for a window air conditioner security lock, as shown and described.

DESCRIPTION

FIG. 1 is a top perspective view for a window air conditioner security lock with the lock displaced showing my new design; FIG. 2 is a rear side view with the lock displaced thereof; FIG. 3 is a bottom side view with the lock displaced thereof; FIG. 4 is a front side view with the lock installed thereof; FIG. 5 is a top side view with the lock installed thereof; FIG. 6 is a left side view with the lock installed thereof; FIG. 7 is a right side view with the lock installed thereof; and, FIG. 8 is a lower perspective view with the lock installed. The portion between the broken away indicates undetermined length of arm and form no part of the claimed design.

1 Claim, 4 Drawing Sheets



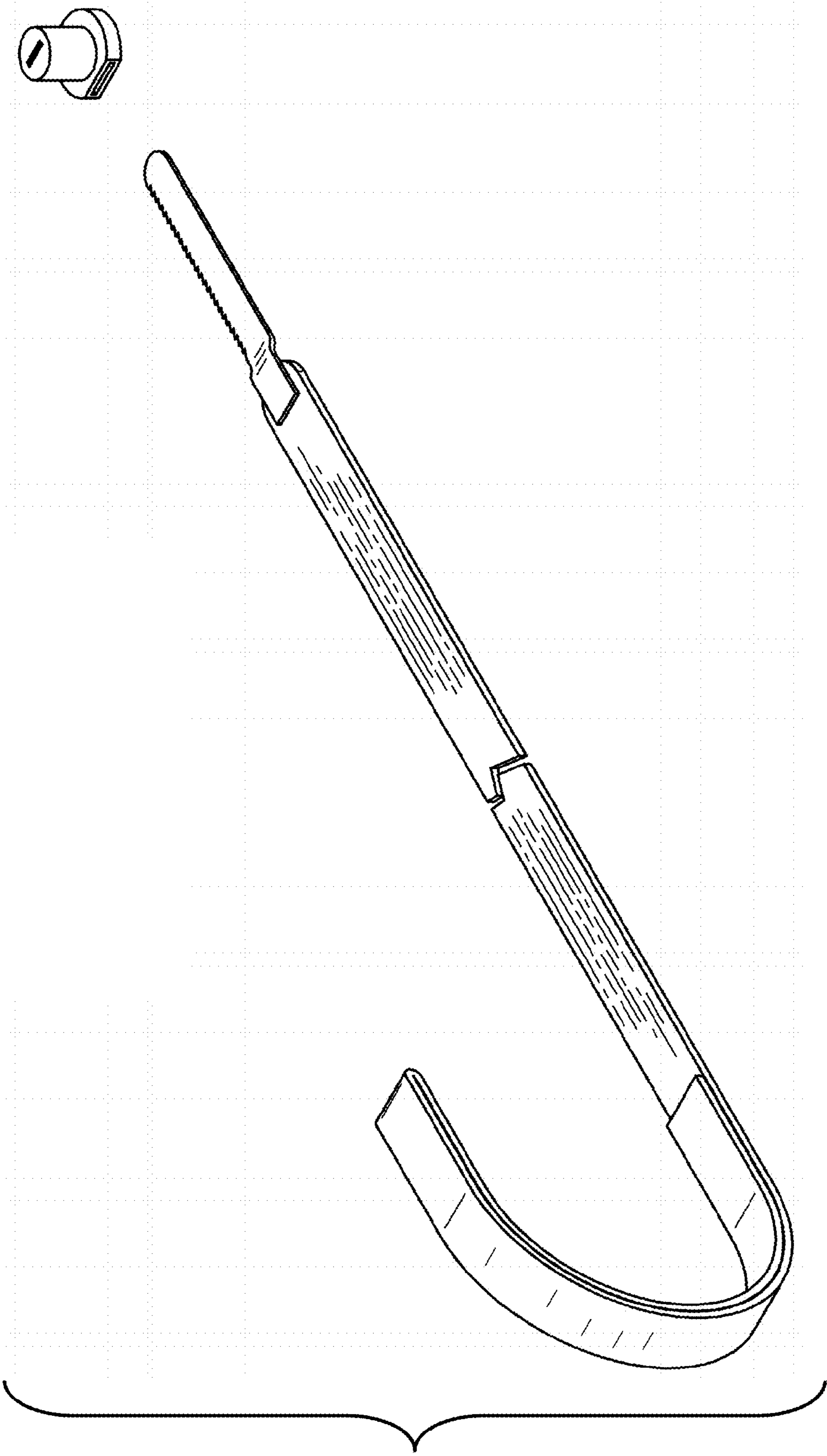


FIG. 1

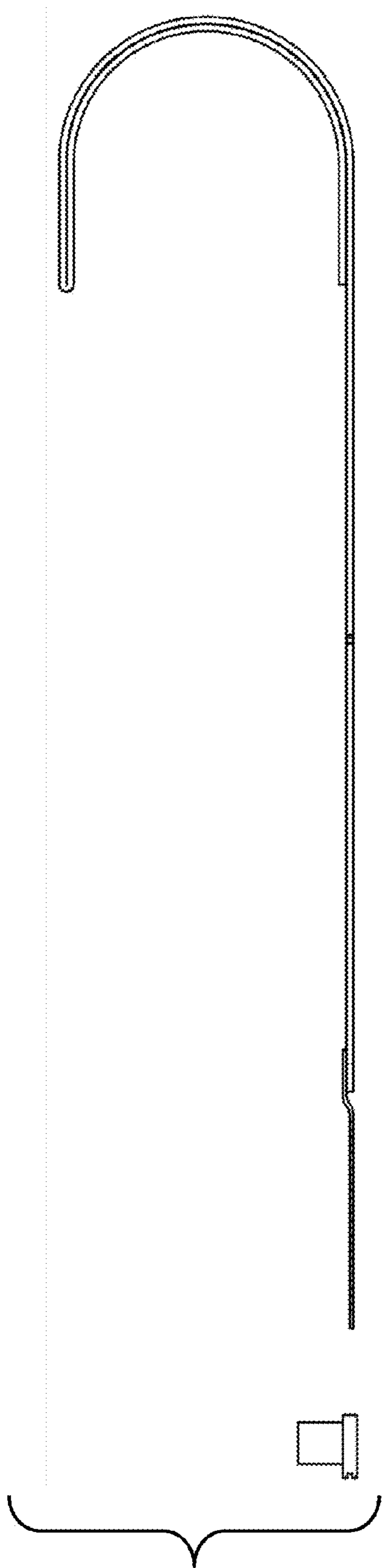


FIG. 2

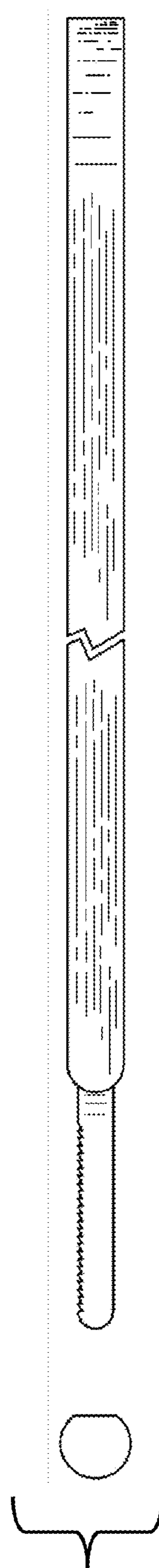


FIG. 3

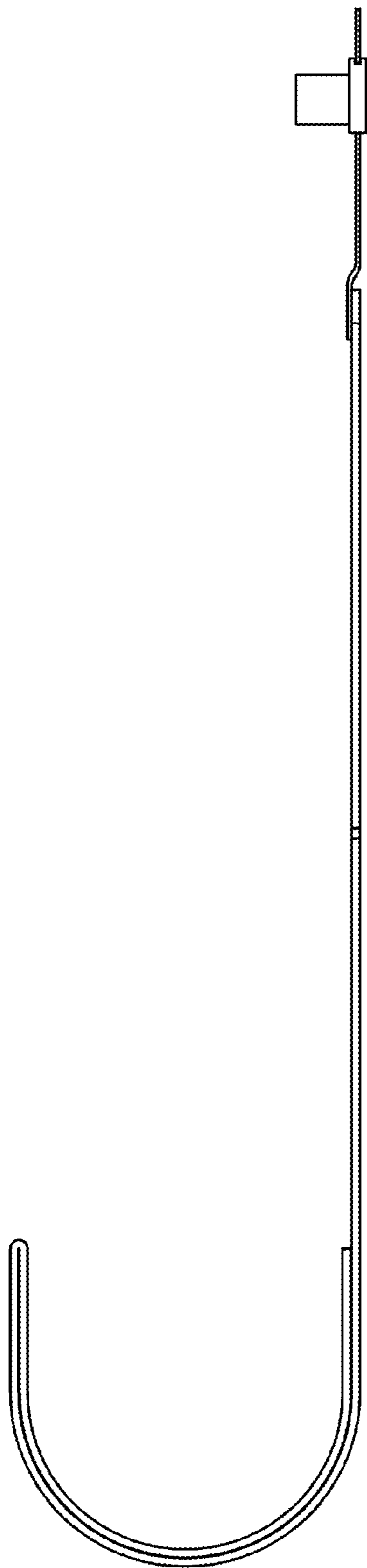


FIG. 4

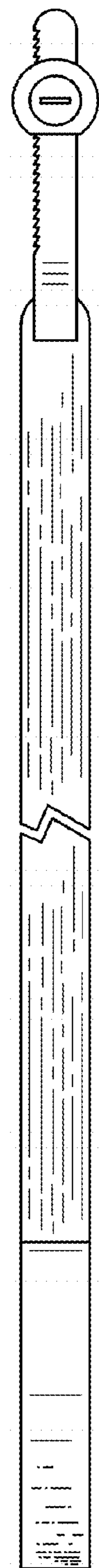


FIG. 5

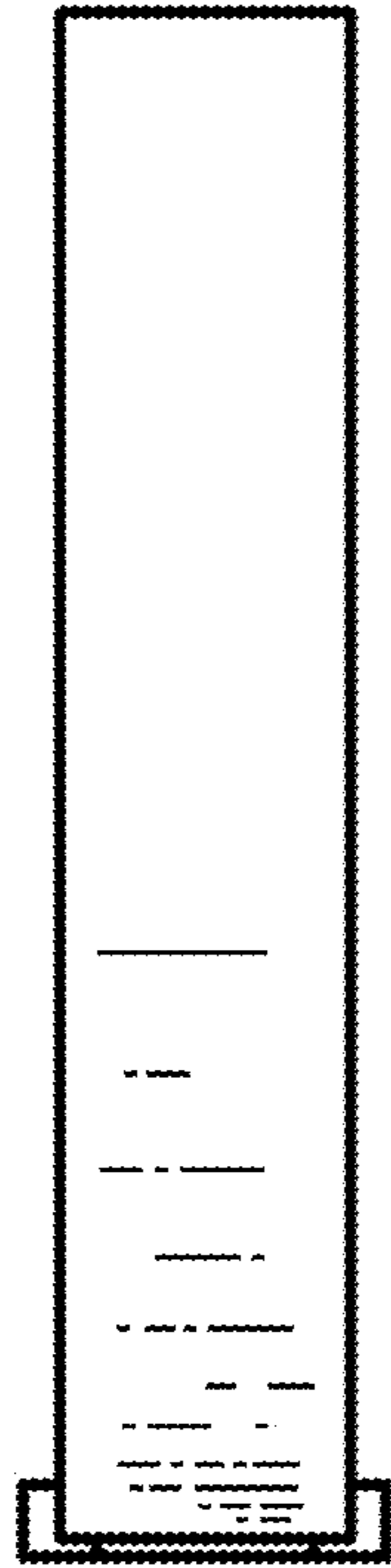


FIG. 6

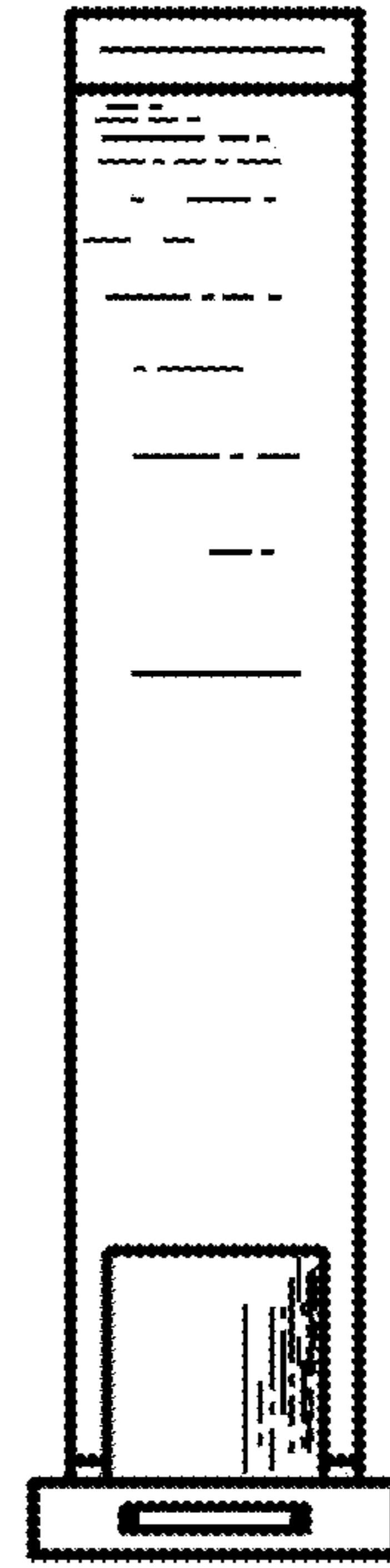


FIG. 7

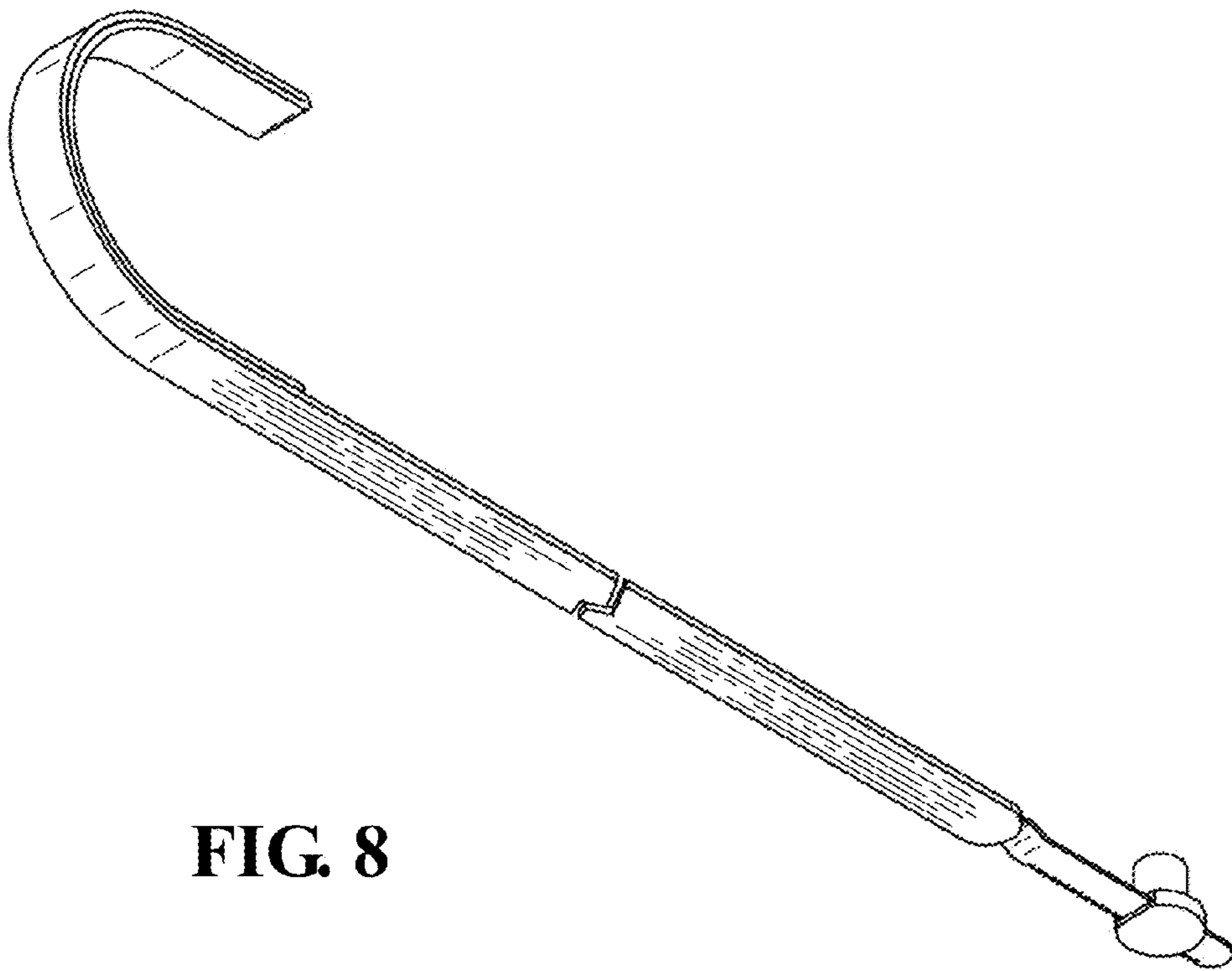


FIG. 8