



US00D753978S

(12) **United States Design Patent**  
**Ranieri**

(10) **Patent No.:** **US D753,978 S**  
(45) **Date of Patent:** **\*\* Apr. 19, 2016**

(54) **TOOL HANDLE**

(71) Applicant: **Stanley Black & Decker, Inc.**, New Britain, CT (US)

(72) Inventor: **Eric Ranieri**, Pouilley-les-Vignes (FR)

(73) Assignee: **Stanley Black & Decker Inc.**, New Britain, CT (US)

(\*\*) Term: **14 Years**

(21) Appl. No.: **29/524,476**

(22) Filed: **Apr. 21, 2015**

(51) **LOC (10) Cl.** ..... **08-04**

(52) **U.S. Cl.**  
USPC ..... **D8/83**

(58) **Field of Classification Search**  
USPC ..... D8/14, 21, 51, 82, 83, 84, 85, 107  
CPC ..... B25B 15/00; B25B 15/02; B25G 1/005;  
B25G 1/063; B25G 1/085  
See application file for complete search history.

(56) **References Cited**

**U.S. PATENT DOCUMENTS**

D398,828 S \* 9/1998 Shiao ..... D8/107  
D419,846 S \* 2/2000 Hasan ..... D8/83

D422,475 S \* 4/2000 Su ..... D8/107  
D487,690 S \* 3/2004 Hu ..... D8/83  
D516,893 S \* 3/2006 Kuo ..... D8/83  
D531,480 S \* 11/2006 Tsai ..... D8/107  
D620,338 S \* 7/2010 Huang ..... D8/83  
D636,654 S \* 4/2011 Robinson ..... D8/83  
D645,717 S \* 9/2011 Ou ..... D8/83  
D691,867 S \* 10/2013 Su ..... D8/83

\* cited by examiner

*Primary Examiner* — Phillip S Hyder

(74) *Attorney, Agent, or Firm* — Gabriel A. Haboubi

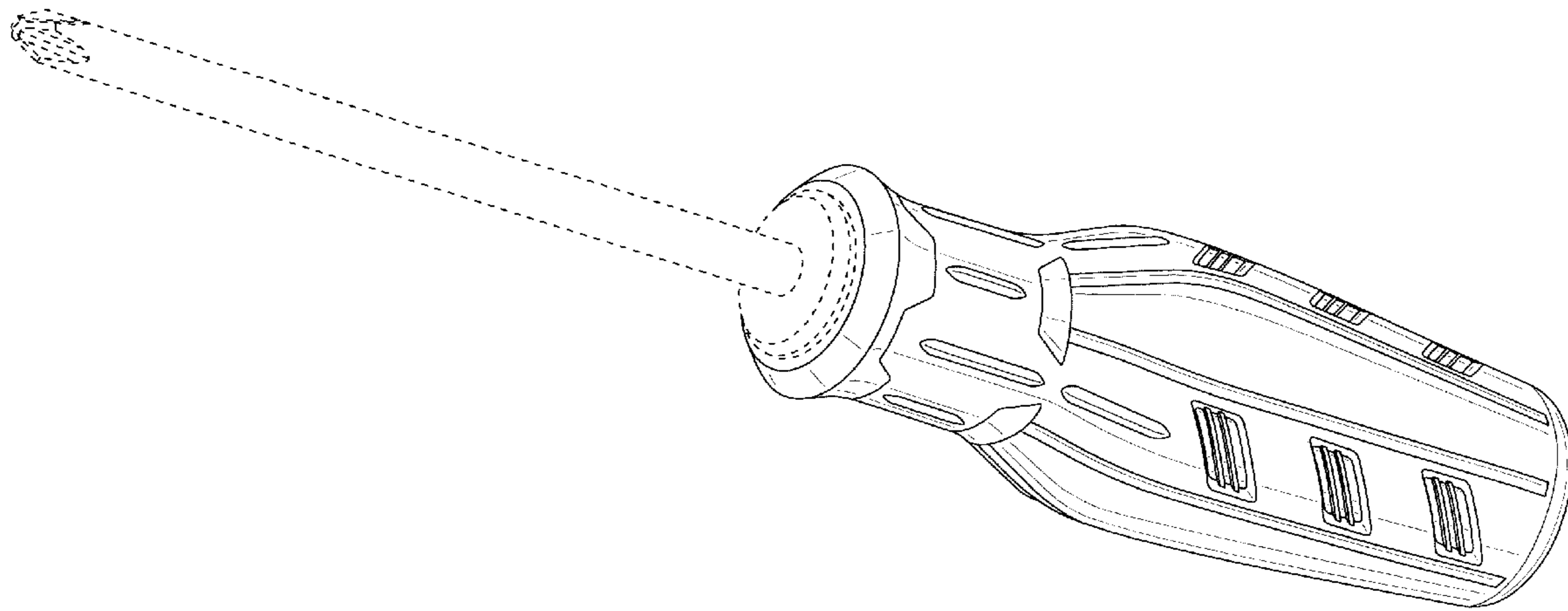
(57) **CLAIM**

The ornamental design for a tool handle, as shown and described.

**DESCRIPTION**

FIG. 1 is a perspective view of the new design.  
FIG. 2 is a top view thereof.  
FIG. 3 is a bottom view thereof.  
FIG. 4 is a left side view thereof.  
FIG. 5 is a right side view thereof.  
FIG. 6 is a front view thereof; and,  
FIG. 7 is a rear view thereof.  
The broken lines depicting the screwdriver blade are provided for purposes of environment and form no part of the claimed design.

**1 Claim, 4 Drawing Sheets**



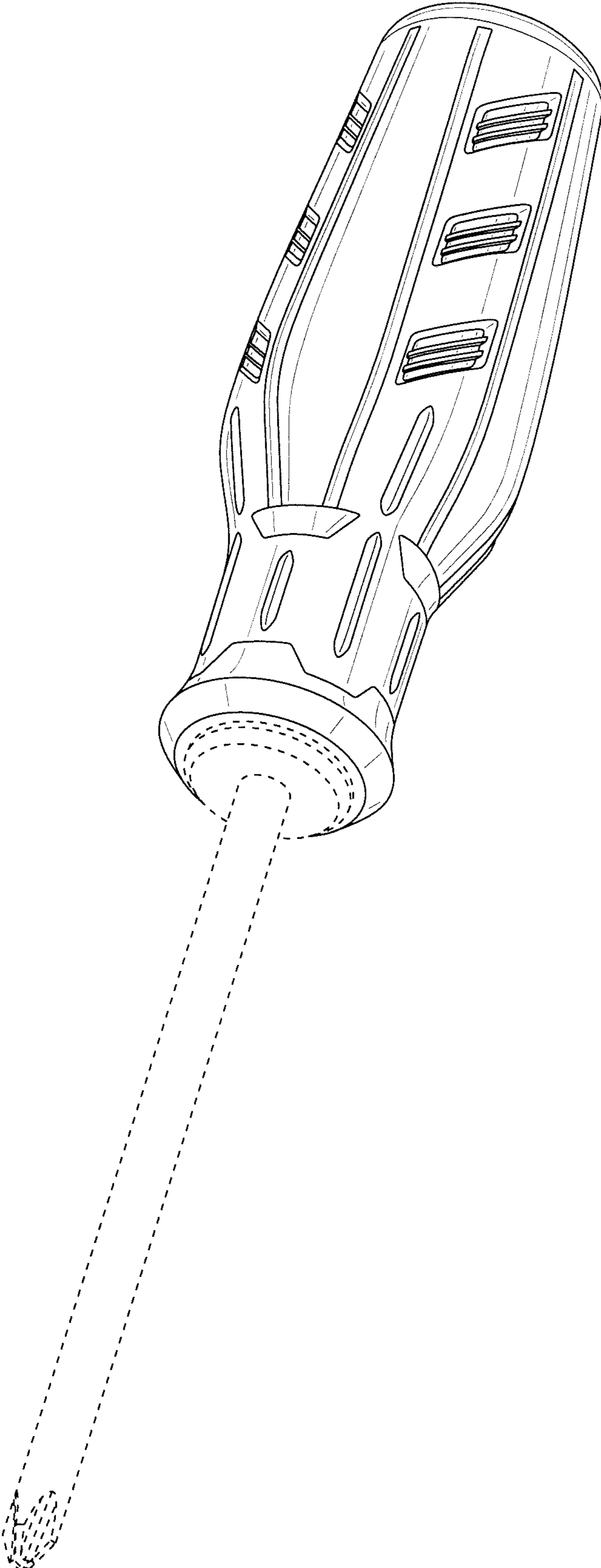


FIG. 1

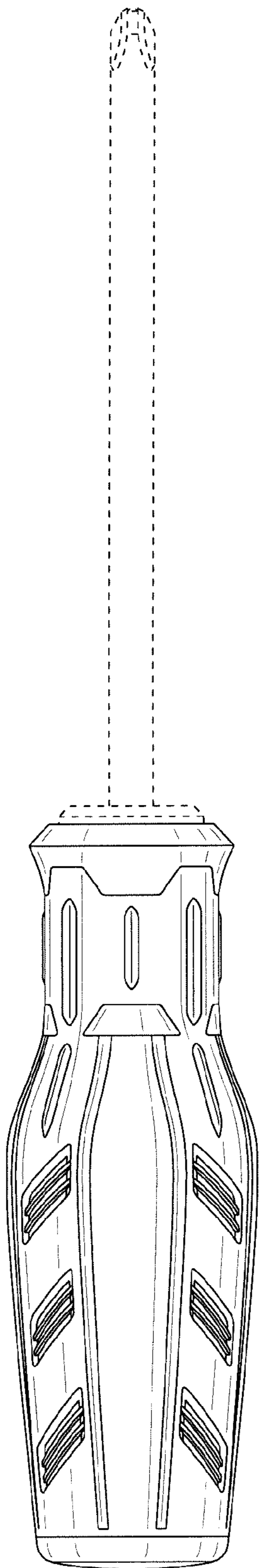


FIG. 2

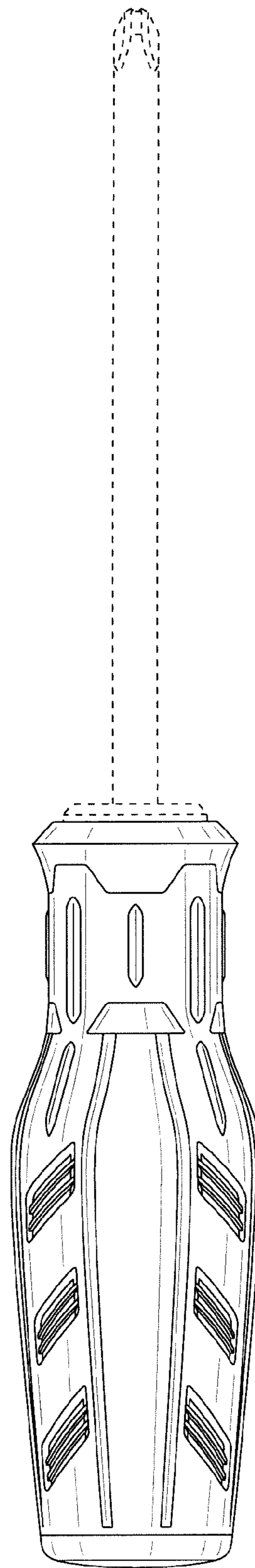


FIG. 3

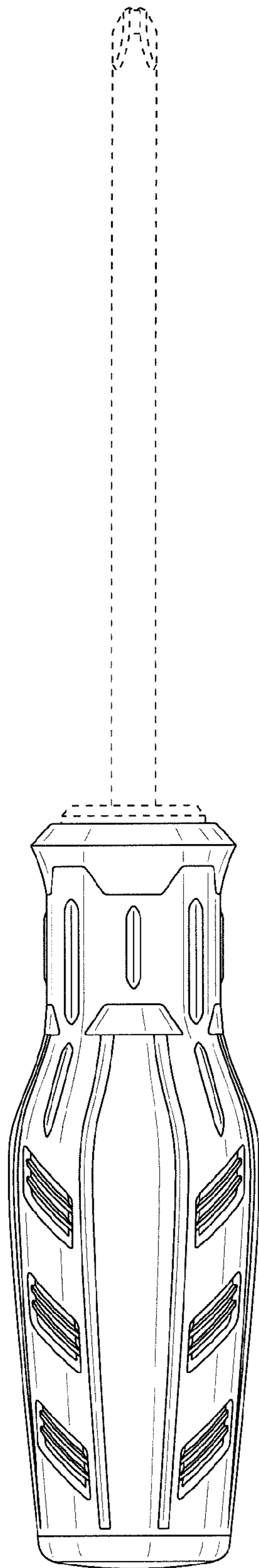


FIG. 4

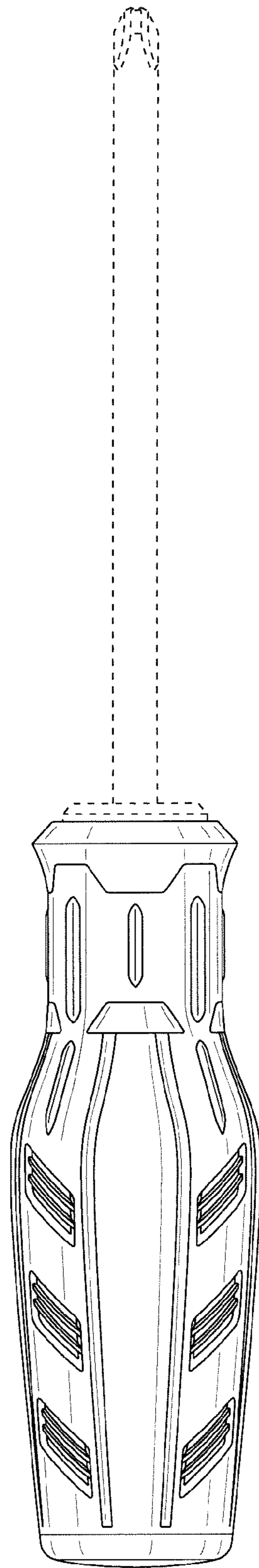


FIG. 5

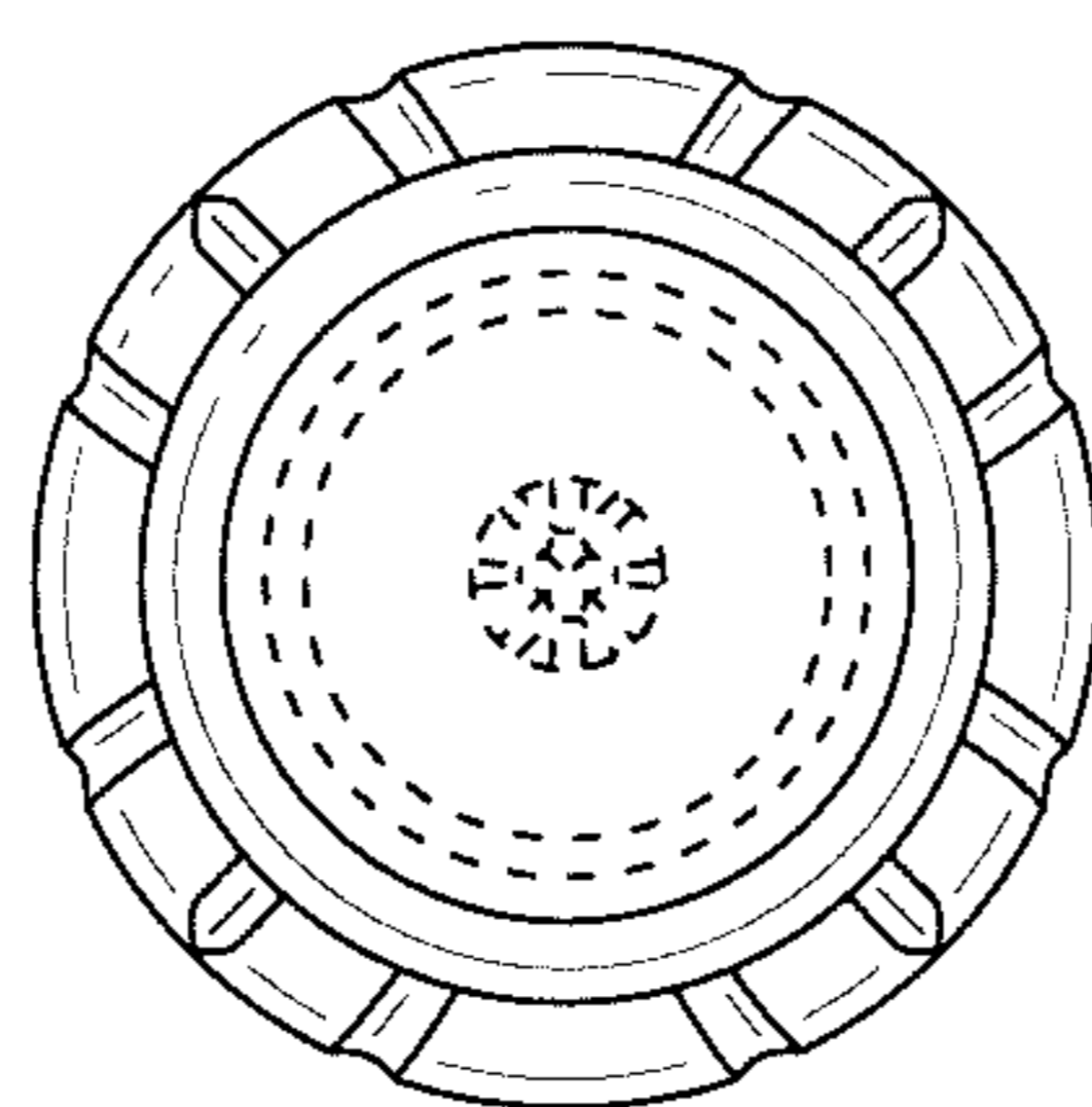


FIG. 6

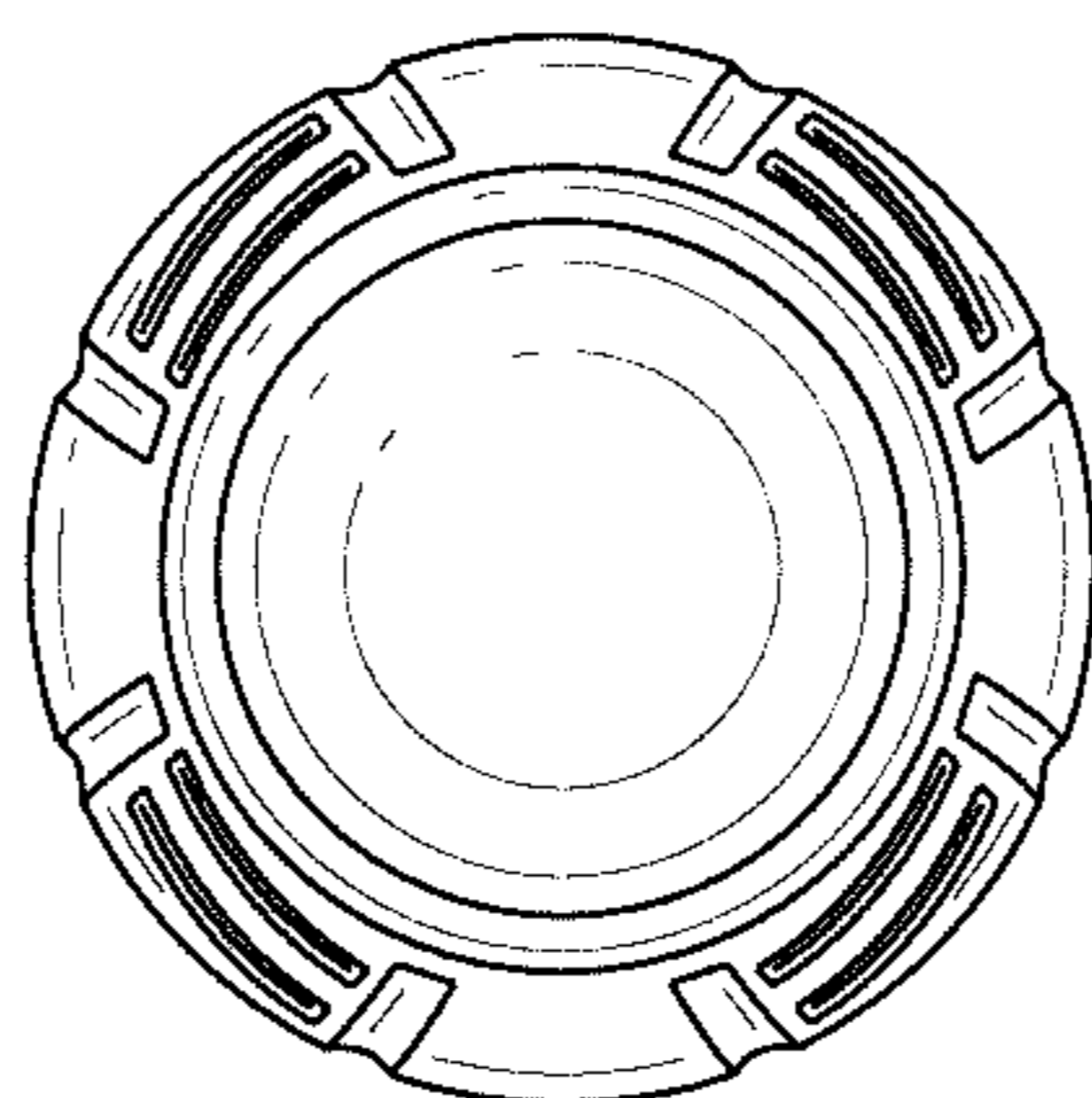


FIG. 7