



US00D753977S

(12) **United States Design Patent**
Nelson

(10) **Patent No.:** **US D753,977 S**
(45) **Date of Patent:** **** Apr. 19, 2016**

(54) **TOOL HANDLE**

D633,357 S * 3/2011 Garcia D8/83
D633,358 S * 3/2011 Deguglimo D8/83
D686,899 S * 7/2013 Lin D8/83

(71) Applicant: **Homer TLC, Inc.**, Wilmington, DE
(US)

(72) Inventor: **Michael Nelson**, Peachtree, GA (US)

(73) Assignee: **Home Depot Product Authority, LLC**,
Atlanta, GA (US)

(**) Term: **14 Years**

(21) Appl. No.: **29/488,947**

(22) Filed: **Apr. 24, 2014**

(51) **LOC (10) Cl.** **08-04**

(52) **U.S. Cl.**
USPC **D8/83**

(58) **Field of Classification Search**
USPC D8/21, 24-26, 29, 61, 82-87, 107;
81/52, 53.1, 58.3, 177.1-177.4, 177.7,
81/438-439, 467, 480, 489-491
CPC B25B 13/56; B25B 15/00; B25B 15/007;
B25B 15/02; B25B 23/106; B25B 23/12;
B25B 23/18; B25F 1/04; B25G 1/085; D06F
53/005; D06F 57/00
See application file for complete search history.

(56) **References Cited**

U.S. PATENT DOCUMENTS

D440,140 S * 4/2001 Shiao D8/82
D461,698 S * 8/2002 Wolff D8/107
D532,277 S * 11/2006 Shih D8/107
D532,278 S * 11/2006 Shih D8/107
D607,708 S * 1/2010 Himbert D8/107
D610,433 S * 2/2010 Garcia D8/107
D610,895 S * 3/2010 Garcia D8/107
D614,930 S * 5/2010 Garcia D8/83
D619,866 S * 7/2010 Deguglimo D8/25
D621,237 S * 8/2010 Papenfuss D8/107

OTHER PUBLICATIONS

<http://toolguyd.com/channellock-ratcheting-screwdriver-review/>, 2
pages Downloaded Nov. 16, 2015.*
[http://www.homedepot.com/p/HDX-Ratcheting-Screwdriver-Set-
40-Piece-with-Case-974 . . .](http://www.homedepot.com/p/HDX-Ratcheting-Screwdriver-Set-40-Piece-with-Case-974...) Downloaded Nov. 16, 2015.*

* cited by examiner

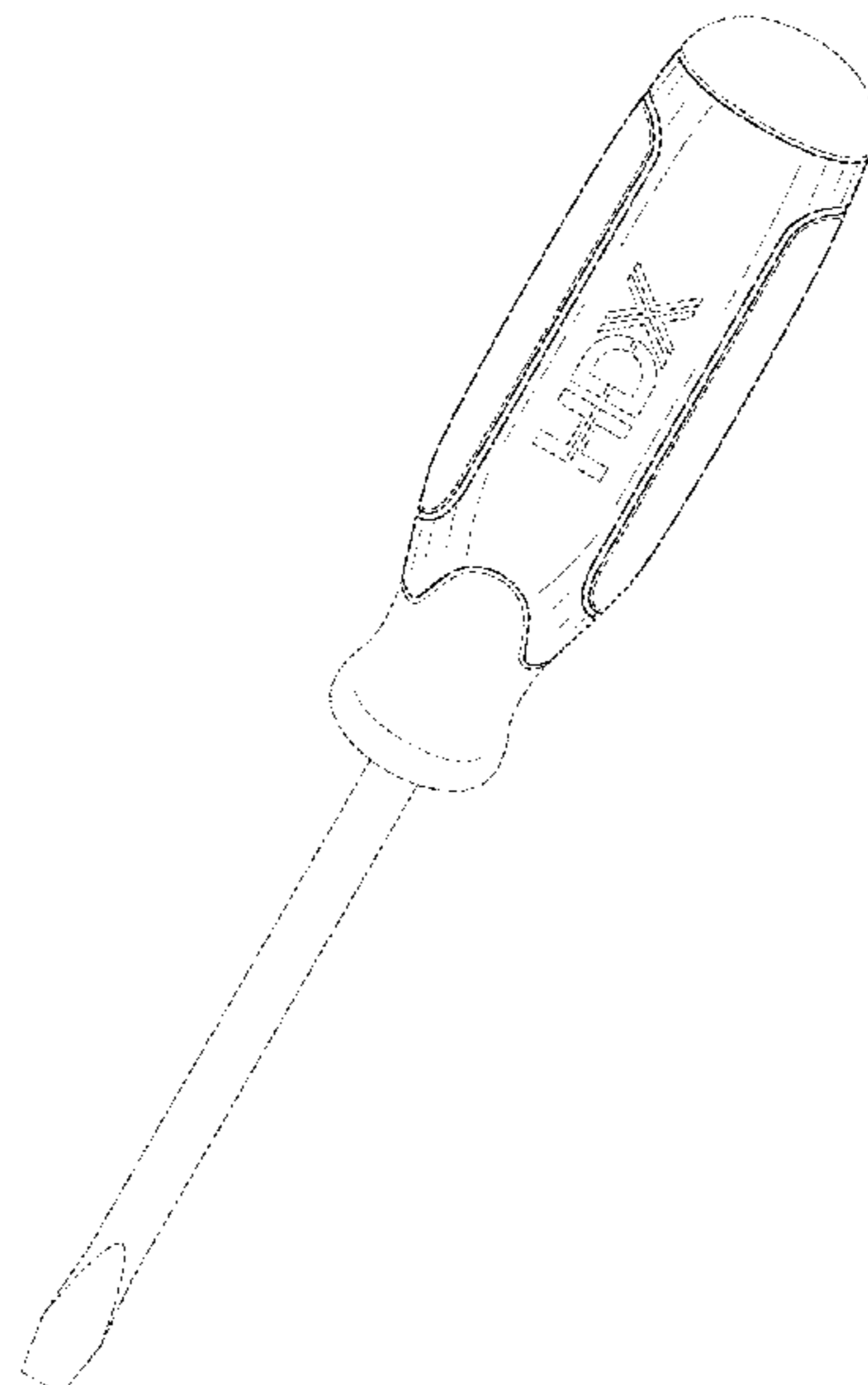
Primary Examiner — Philip S Hyder
Assistant Examiner — Roselynn Cody
(74) *Attorney, Agent, or Firm* — Greenberg Traurig, LLP

(57) **CLAIM**
The ornamental designs for a tool handle, as shown and
described.

DESCRIPTION

FIG. 1 is a perspective view of my tool handle;
FIG. 2 is a side view thereof;
FIG. 3 is another side view thereof, opposite the side view
shown in FIG. 2;
FIG. 4 is a front view thereof;
FIG. 5 is a back view thereof;
FIG. 6 is a bottom view thereof; and,
FIG. 7 is a top view thereof.
The dashed lines outside of the claimed tool handle represent
environmental structure that forms no part of the claimed
design; specifically, some such dashed lines show aspects of
an example tool (a screwdriver) with which the claimed tool
handle may be used. Other dashed lines show that while a
logo may (but need not) be used with the claimed design, no
particular logo is claimed. The dashed line border just inside
the claimed boundary of the front surface portion and back
surface portion shown completely in FIGS. 4-5 and partially
in FIGS. 1-3 and 6-7 indicates no claim to the appearance of
that surface.

1 Claim, 4 Drawing Sheets



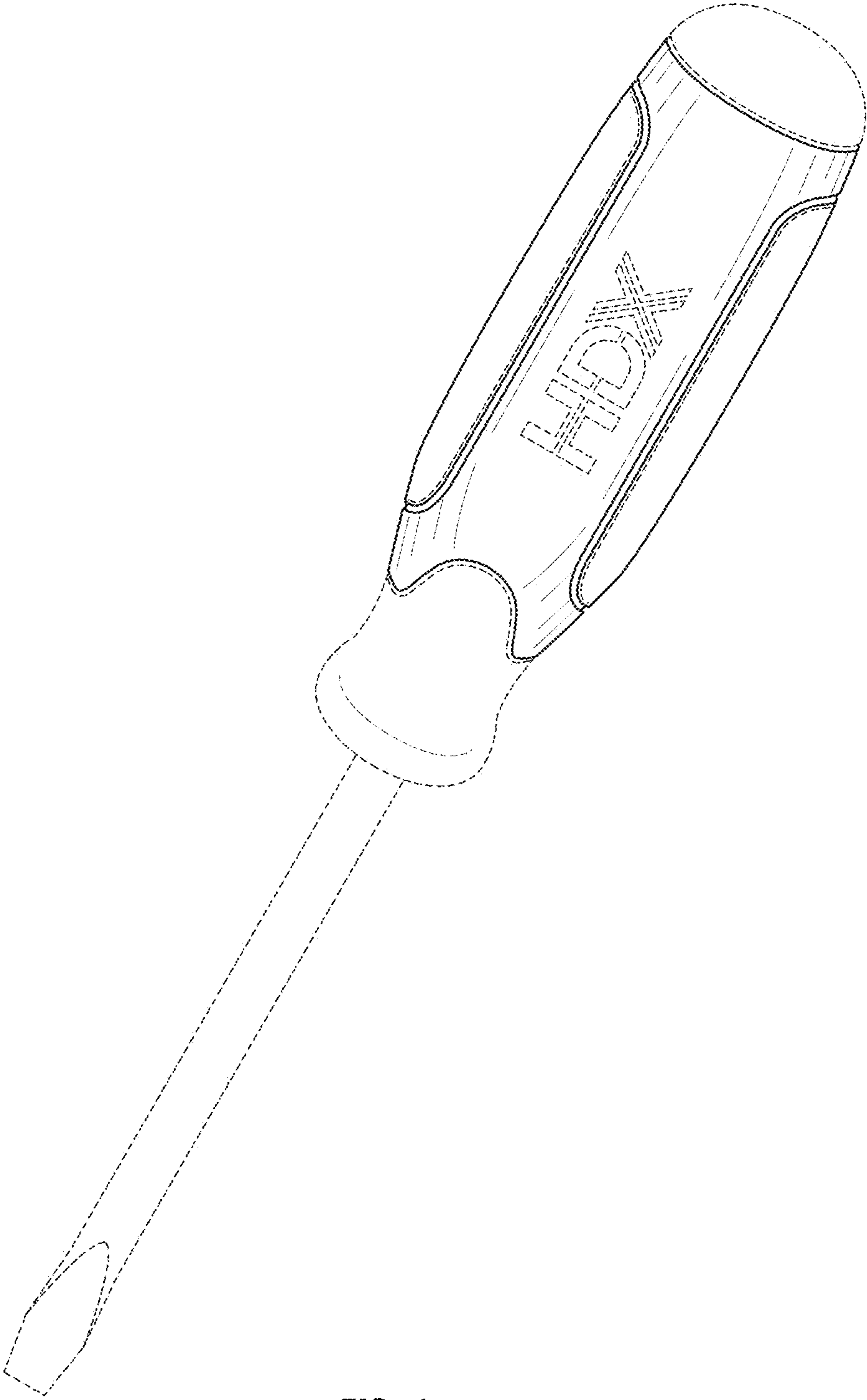


FIG. 1

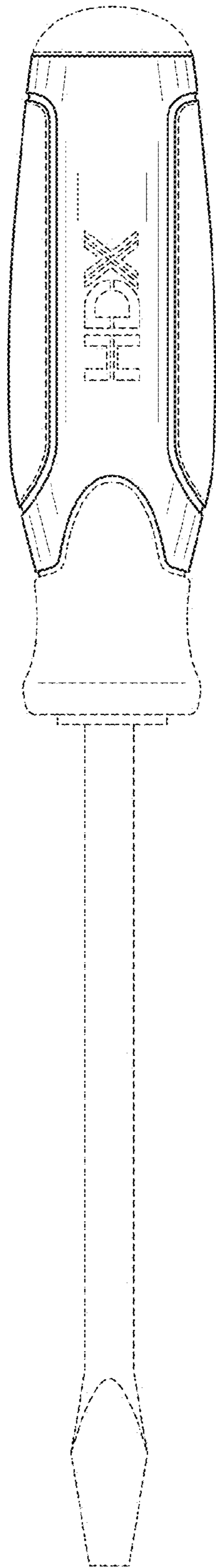


FIG. 2

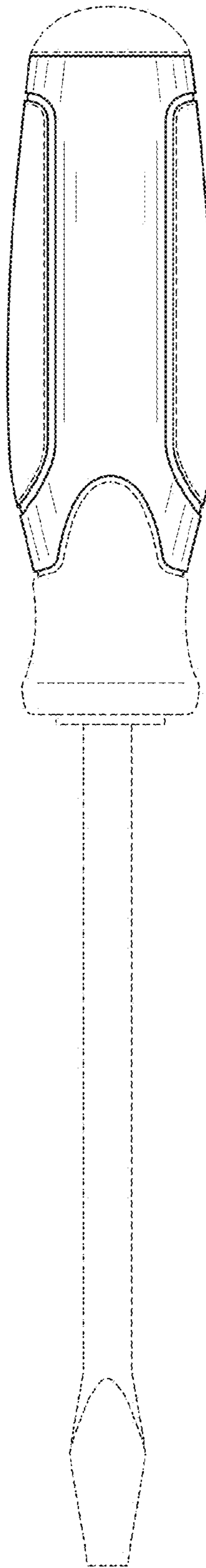


FIG. 3

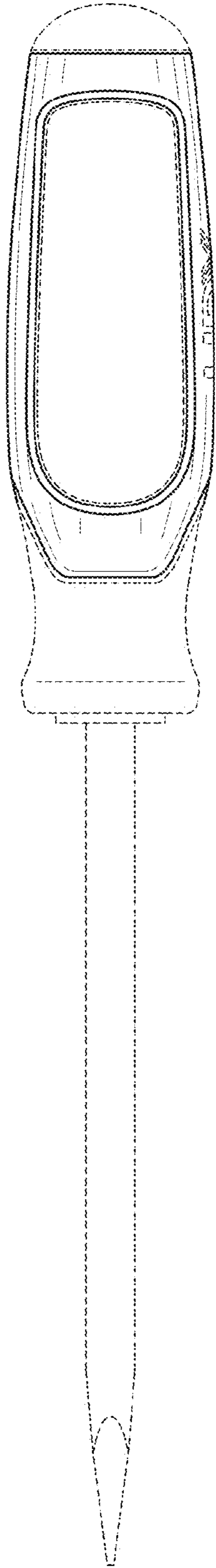


FIG. 4

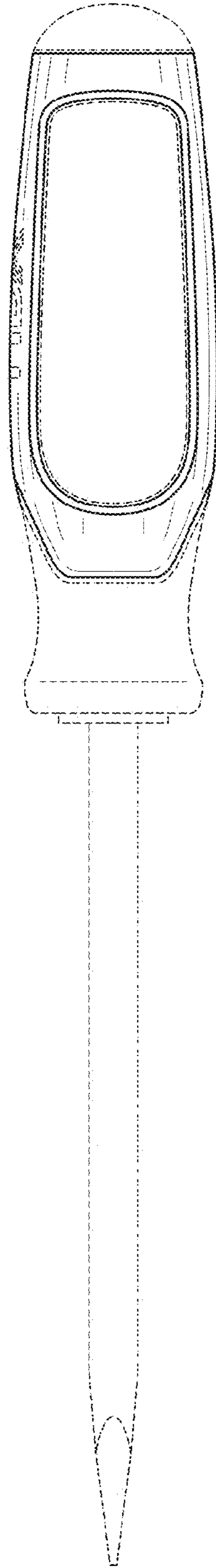


FIG. 5

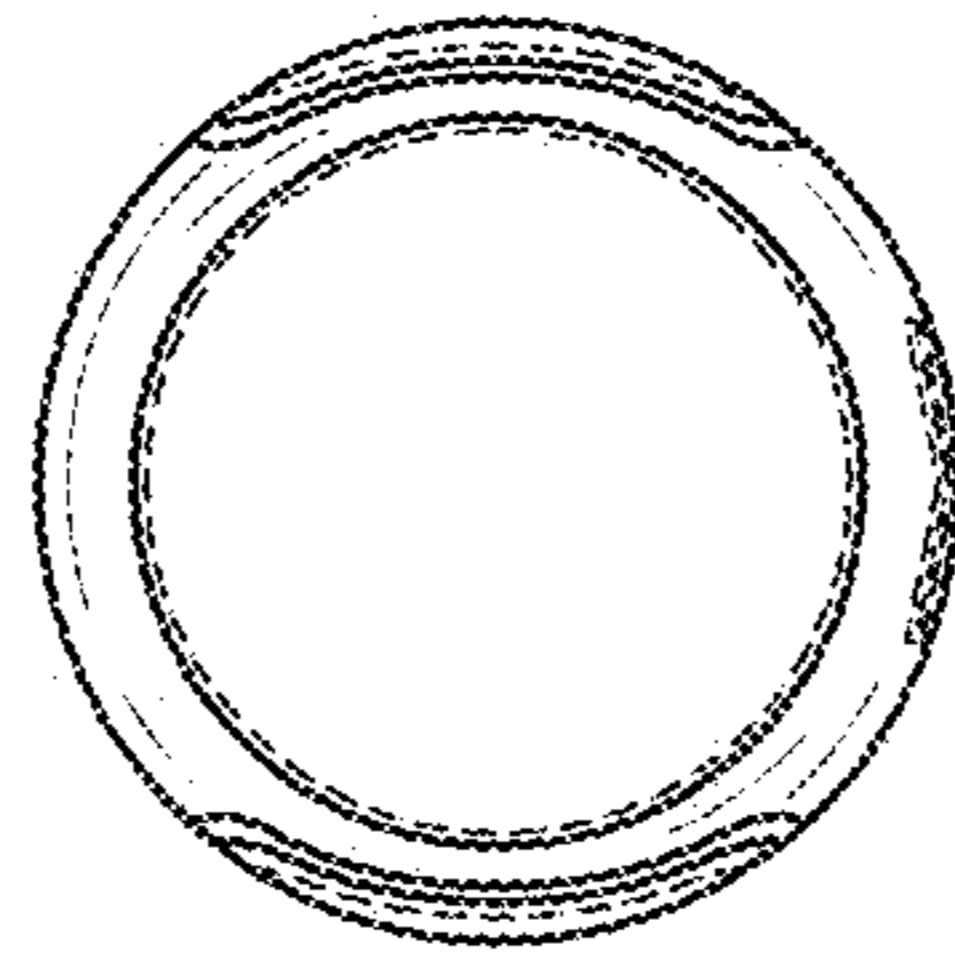


FIG. 6

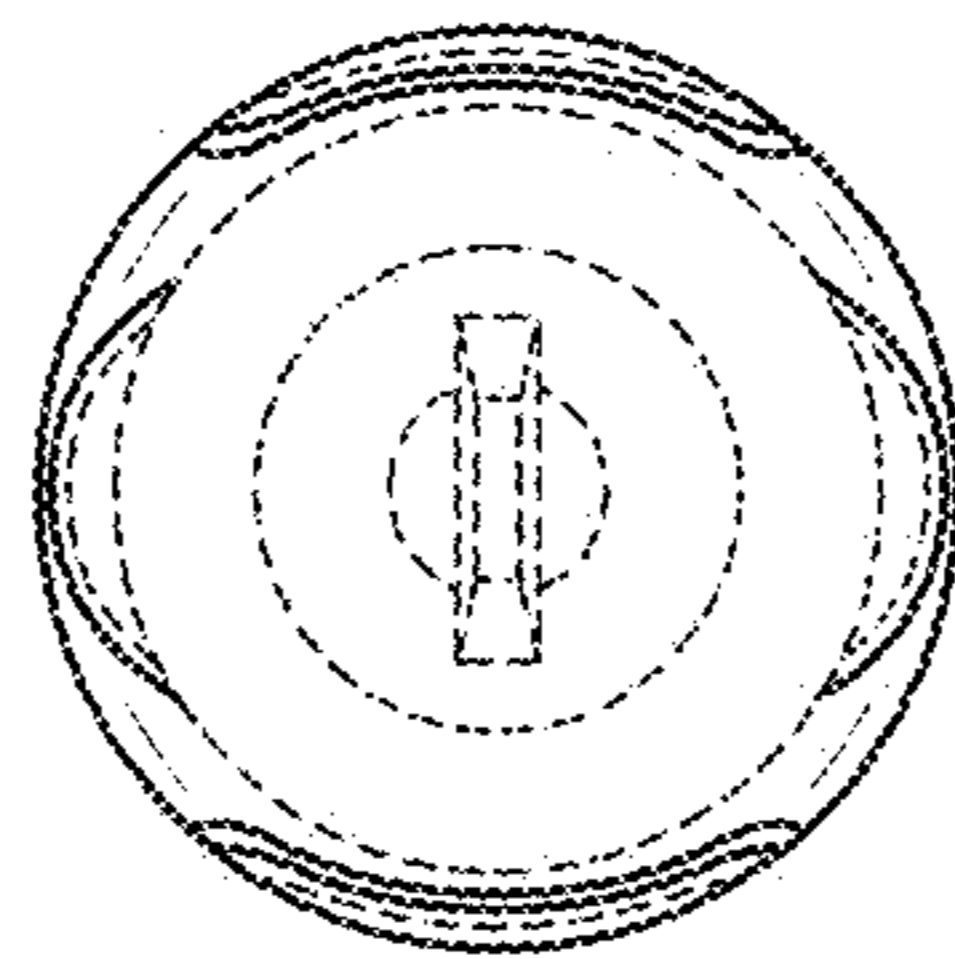


FIG. 7