



US00D753974S

(12) **United States Design Patent**
Chang

(10) **Patent No.:** **US D753,974 S**
(45) **Date of Patent:** **** Apr. 19, 2016**

- (54) **SCISSOR**
- (71) Applicant: **Shao-Peng Chang**, Taichung (TW)
- (72) Inventor: **Shao-Peng Chang**, Taichung (TW)
- (**) Term: **14 Years**
- (21) Appl. No.: **29/518,751**
- (22) Filed: **Feb. 26, 2015**
- (51) **LOC (10) Cl.** **08-07**
- (52) **U.S. Cl.**
USPC **D8/57**
- (58) **Field of Classification Search**
USPC D8/51-58; D7/693, 687, 674
CPC A01G 3/02; A01G 3/065; A61B 17/3201;
B26B 13/20; B26B 13/00
See application file for complete search history.

- 2005/0126012 A1* 6/2005 Ferman B26B 13/12
30/232
- 2006/0010695 A1* 1/2006 Wu B26B 13/20
30/232
- 2006/0143930 A1* 7/2006 Adachi B26B 13/12
30/232
- 2007/0124942 A1* 6/2007 Nenadich B26B 13/24
30/266
- 2007/0137048 A1* 6/2007 Ishida B26B 13/20
30/232
- 2014/0338200 A1* 11/2014 Quadagno B26B 13/28
30/239

* cited by examiner

Primary Examiner — Deanna L Pratt
(74) *Attorney, Agent, or Firm* — WPAT, P.C., Intellectual Property Attorneys; Anthony King

(57) **CLAIM**
The ornamental design for a scissor, as shown and described.

DESCRIPTION

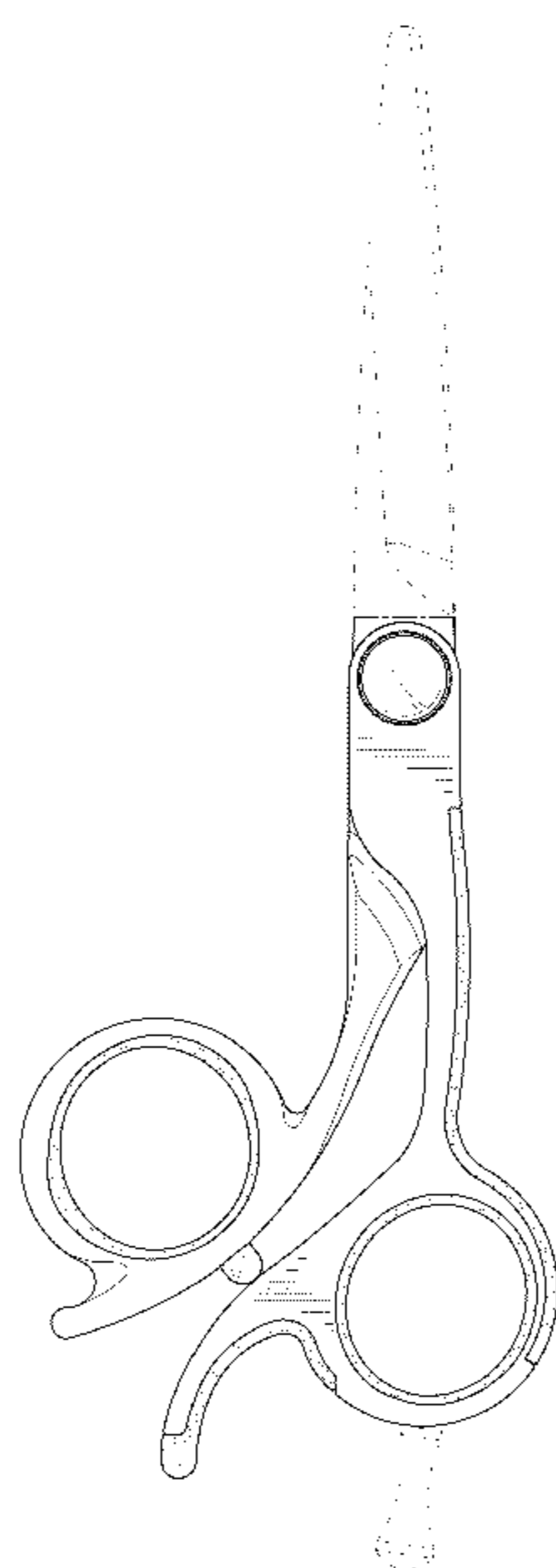
(56) **References Cited**

U.S. PATENT DOCUMENTS

- D115,945 S * 8/1939 Wester D8/57
- D212,273 S * 9/1968 Sinko D8/57
- D380,130 S * 6/1997 Hauser D8/57
- D382,785 S * 8/1997 Kobayashi D8/57
- D385,174 S * 10/1997 Kawai D8/107
- 5,875,553 A * 3/1999 Geib, Jr. B26B 13/24
30/195
- D426,441 S * 6/2000 Sotokawa D8/57
- 6,526,662 B1 * 3/2003 Adachi B26B 13/24
30/225
- D502,070 S * 2/2005 Ferman D8/56
- D526,880 S * 8/2006 Ferman D8/107
- D536,941 S * 2/2007 Nenadich D8/57
- D537,312 S * 2/2007 Nenadich D8/57
- D538,612 S * 3/2007 Nenadich D8/57
- D602,754 S * 10/2009 Bellisario D8/57
- D611,792 S * 3/2010 Bellisario D8/57

FIG. 1 is a perspective view of a scissor, showing my new design;
 FIG. 2 is a front view thereof;
 FIG. 3 is rear front view thereof;
 FIG. 4 is a left side view thereof;
 FIG. 5 is a right side view thereof;
 FIG. 6 is a top view thereof;
 FIG. 7 is a bottom view thereof; and,
 FIG. 8 is another perspective view thereof.
 The characteristic features of the novel design reside in shape and configuration of curved and circular rubber pads attached to inner and outer surfaces of the grip of the scissor.
 The evenly-spaced broken lines in the drawings illustrate portions of the scissor which form no part of the claimed design. The unevenly-spaced broken lines illustrate the bounds of the claimed design and form no part thereof.

1 Claim, 7 Drawing Sheets



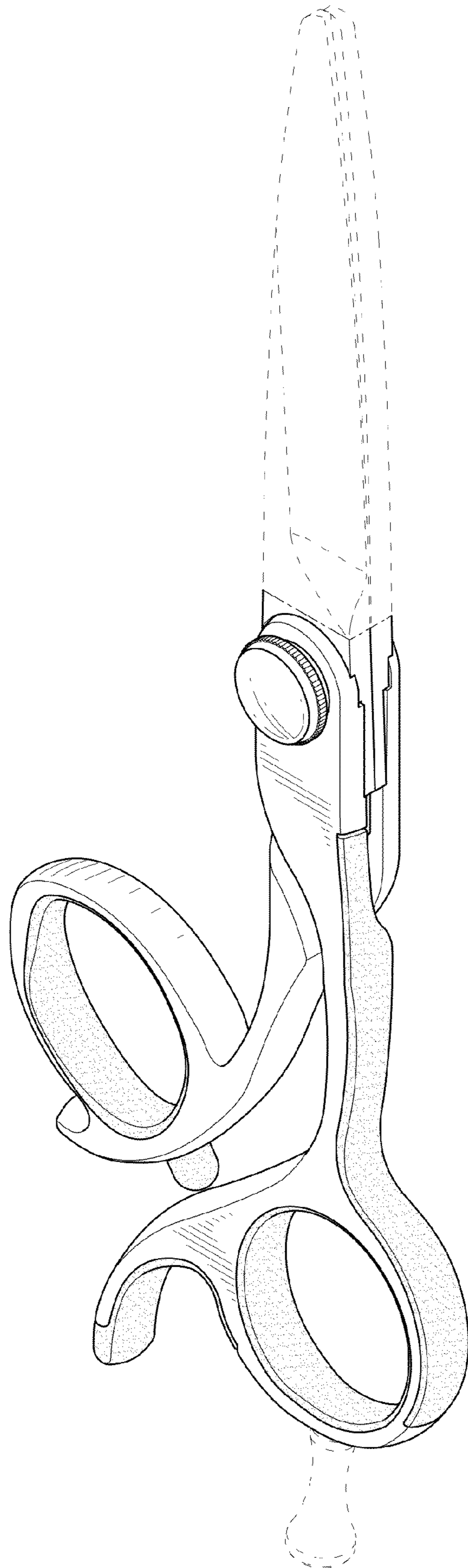


FIG.1

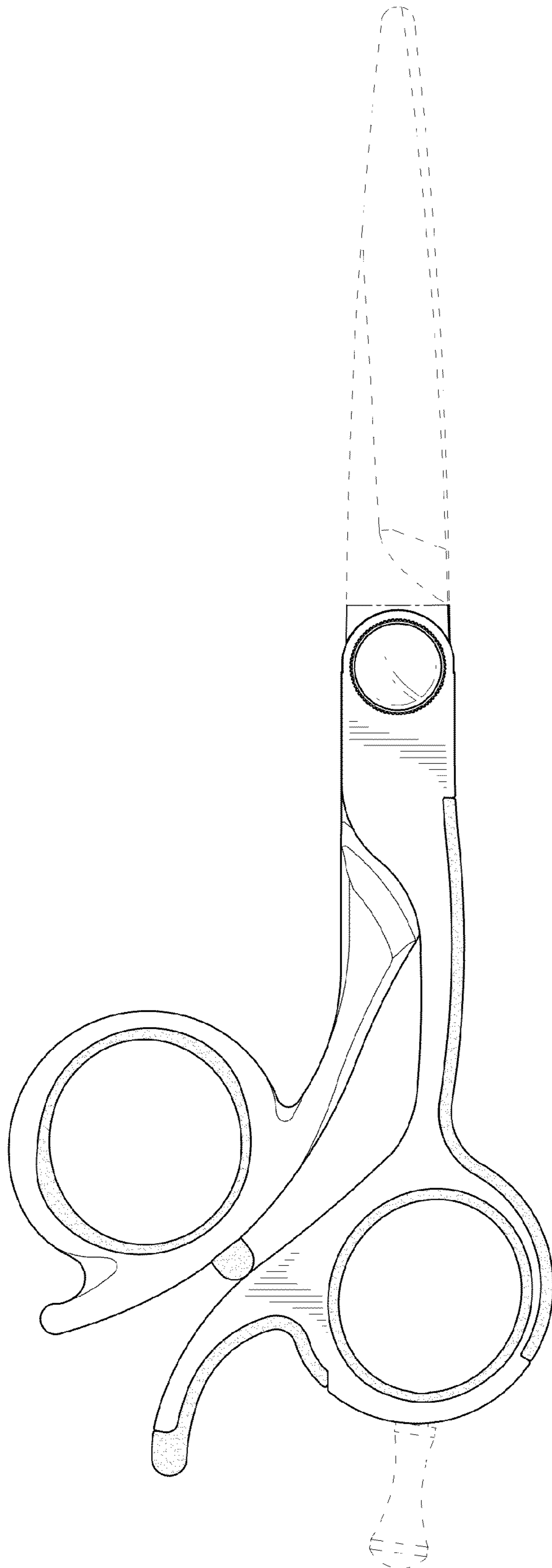


FIG.2

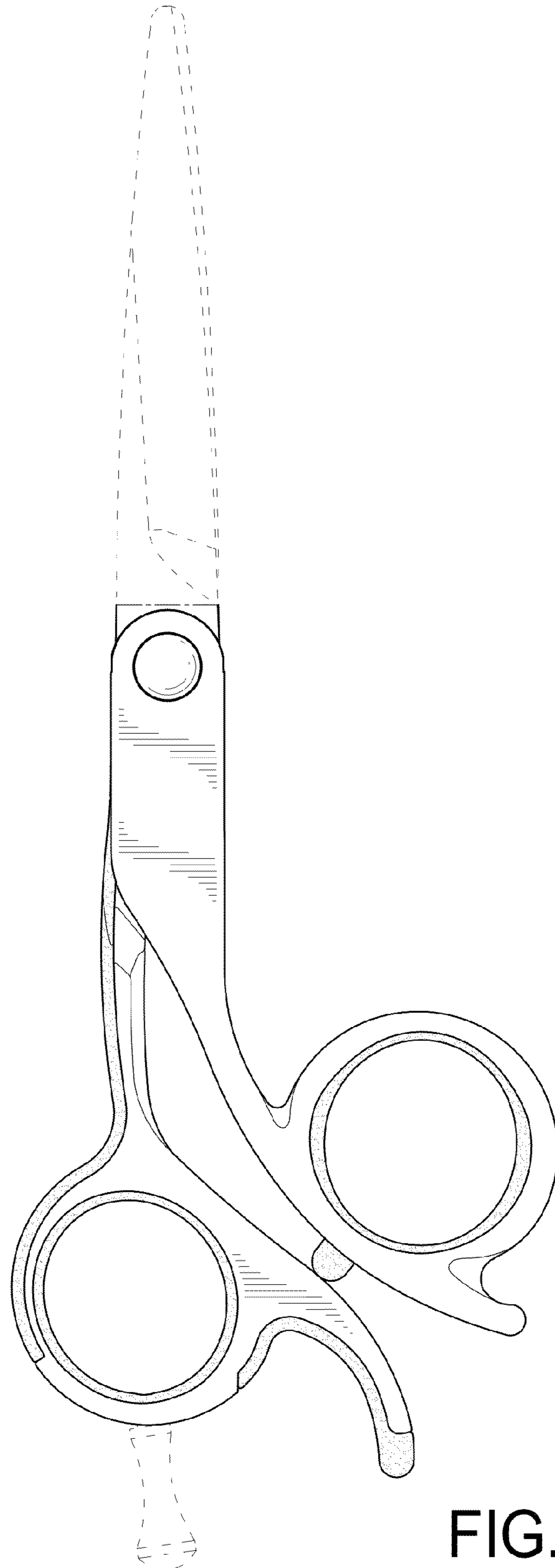


FIG.3

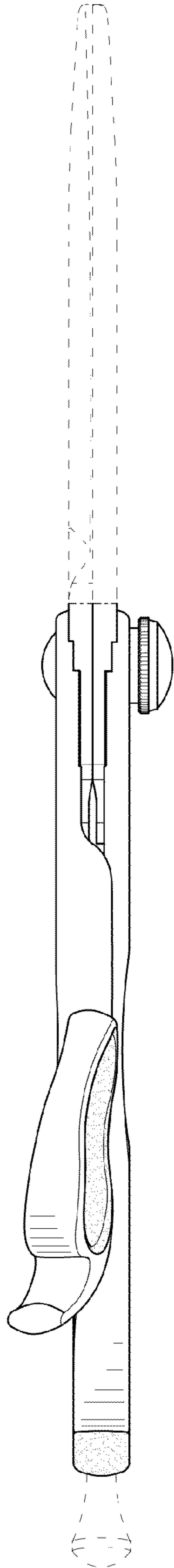


FIG.4

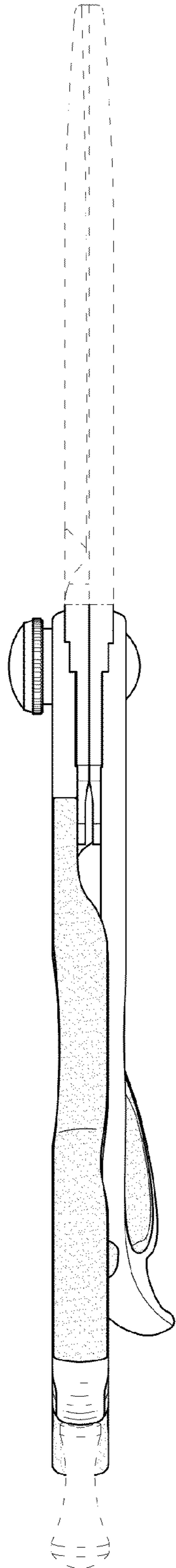


FIG.5

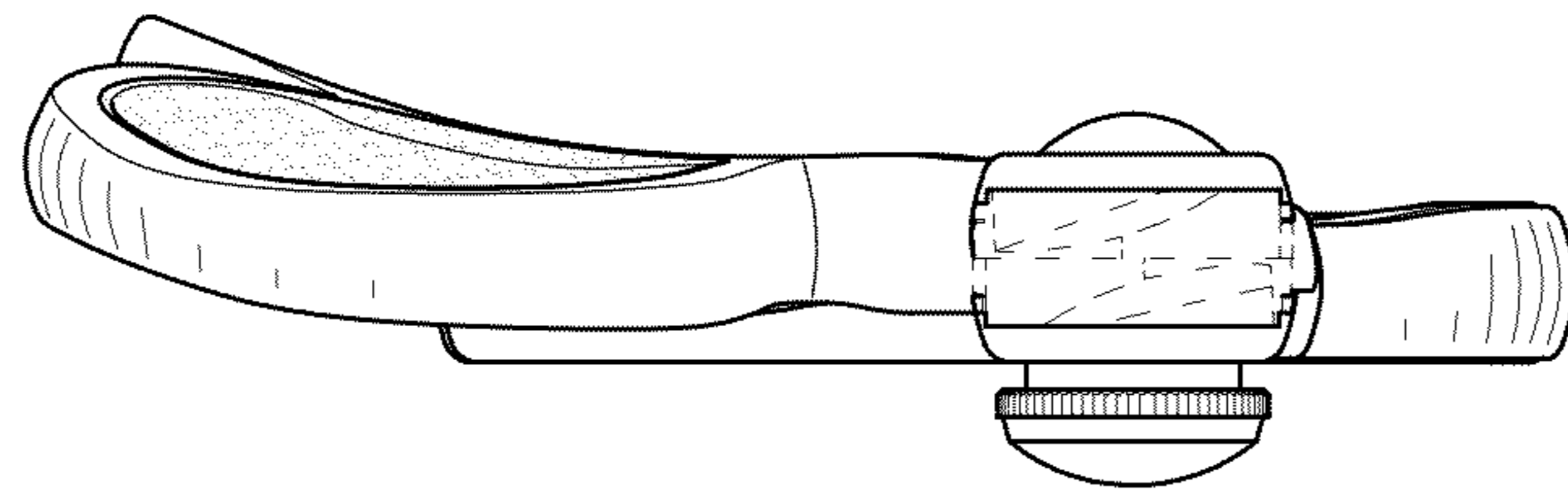


FIG. 6

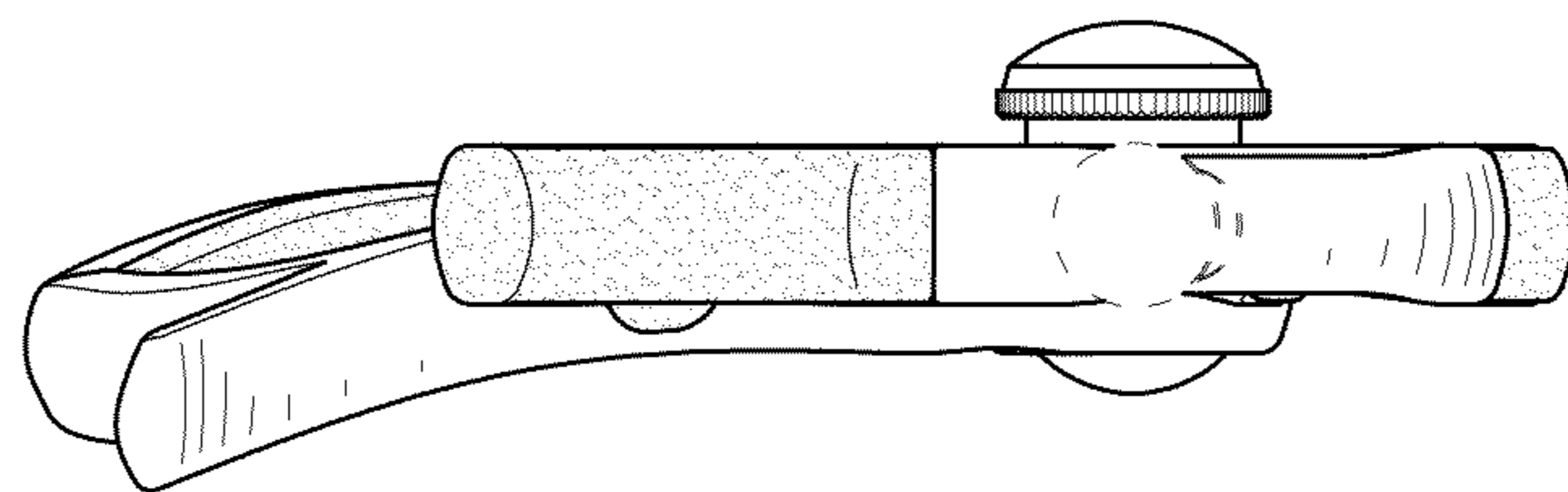


FIG. 7

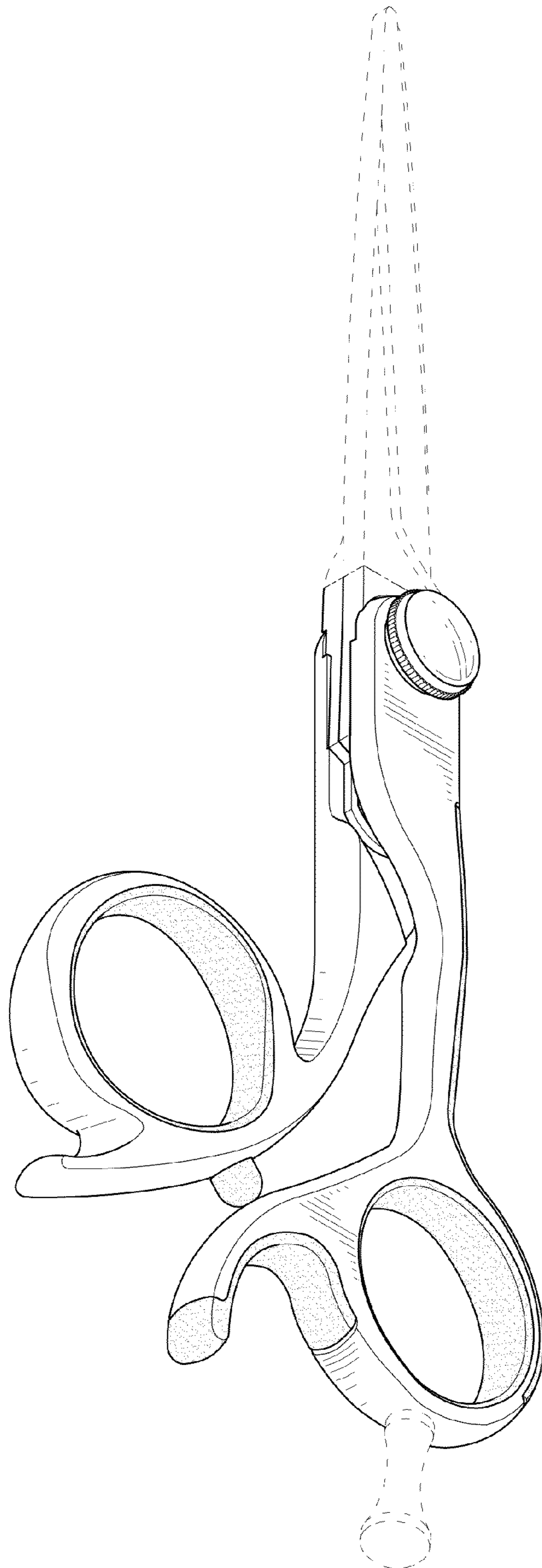


FIG.8