



US00D753971S

(12) **United States Design Patent**
Robinson et al.

(10) **Patent No.:** **US D753,971 S**

(45) **Date of Patent:** **** Apr. 19, 2016**

(54) **TOOL HANDLE**

(71) Applicants: **Glenn Robinson**, Parkland, FL (US);
Rodrigo Lima, Fort Lauderdale, FL (US)

(72) Inventors: **Glenn Robinson**, Parkland, FL (US);
Rodrigo Lima, Fort Lauderdale, FL (US)

(**) Term: **14 Years**

(21) Appl. No.: **29/474,859**

(22) Filed: **Mar. 2, 2015**

(51) **LOC (10) Cl.** **08-05**

(52) **U.S. Cl.**
USPC **D8/28**

(58) **Field of Classification Search**
USPC D8/21-29; 81/60, 177.1, 177.85, 121.1,
81/124.3, 165-170, 110.1, 176.2, 124.6,
81/176.1, 176.15, 177.2, 186, 125, 119,
81/180.1, 185.02; 16/110.1; D15/144.1;
219/75, 227, 229, 121.16, 121.18
CPC B25B 13/463; B25B 13/04; B25B 13/46;
B25B 13/0461
See application file for complete search history.

(56) **References Cited**

U.S. PATENT DOCUMENTS

D445,014 S * 7/2001 Douglas D8/107
6,418,820 B1 * 7/2002 Lamond B25G 1/105
81/177.1
D485,144 S * 1/2004 Levine D8/21

D617,617 S * 6/2010 Garcia D8/22
D619,866 S * 7/2010 Deguglimo D8/25
D634,601 S * 3/2011 Good D8/107
D651,056 S * 12/2011 Robinson D8/25
D704,522 S * 5/2014 Chen D8/27
D714,113 S * 9/2014 Robinson D8/25

* cited by examiner

Primary Examiner — Raphael Barkai

Assistant Examiner — Randall Gholson

(74) *Attorney, Agent, or Firm* — Dan DeLaRosa

(57) **CLAIM**

The ornamental design for a tool handle, as shown and described.

DESCRIPTION

FIG. 1 is a front perspective view of a tool handle showing our new design;

FIG. 2 is a front side view thereof;

FIG. 3 is a back side view thereof;

FIG. 4 is a left side view thereof;

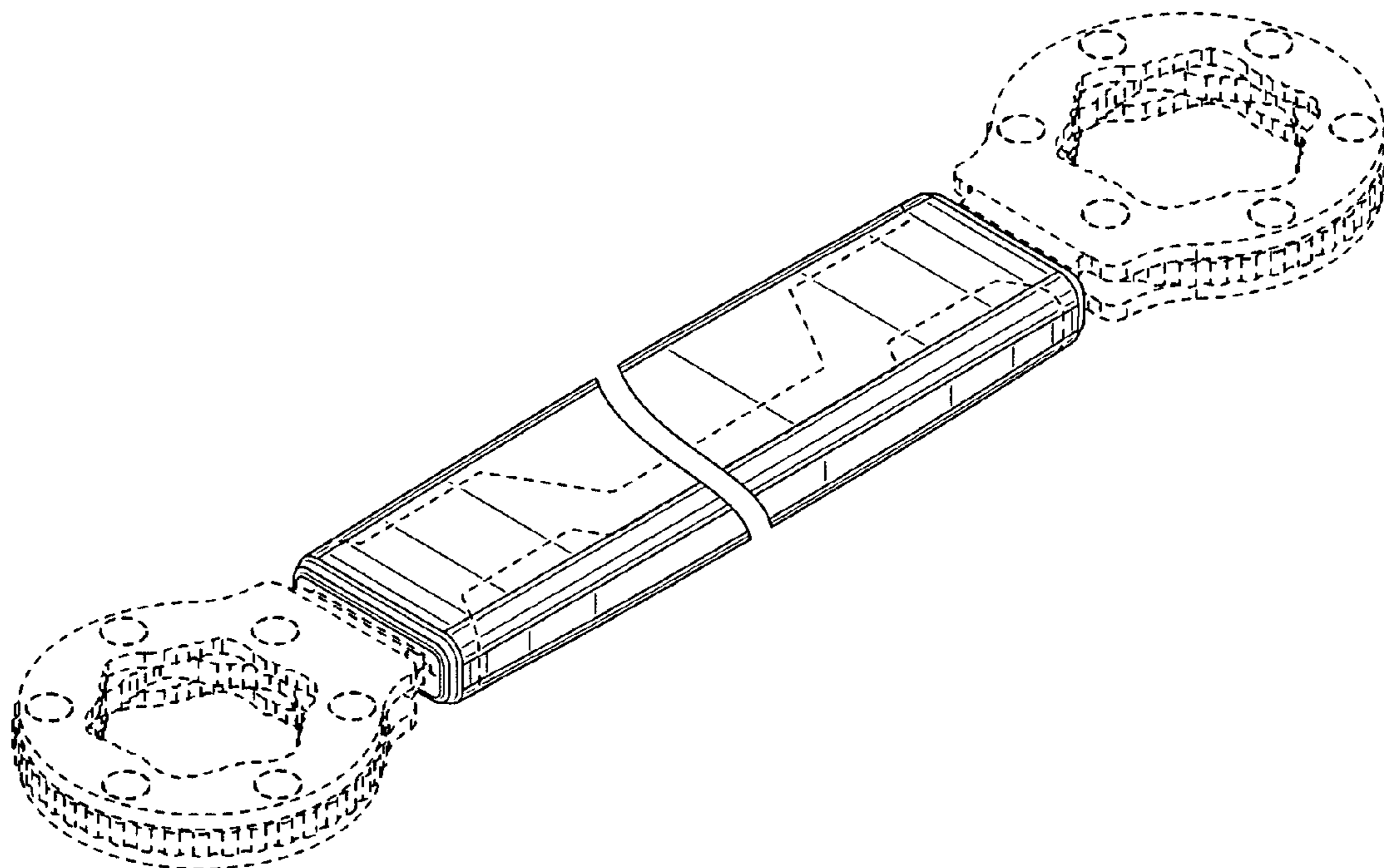
FIG. 5 is a right side view thereof;

FIG. 6 is a top plan view thereof; and,

FIG. 7 is a bottom plan view thereof.

The broken lines shown in the drawings show unclaimed environment and portions of the tool handle that form no part of the claimed design. The tool handle is shown with a symbolic break in its length. The appearance of any portion of the tool handle between the break lines forms no part of the claimed design.

1 Claim, 4 Drawing Sheets



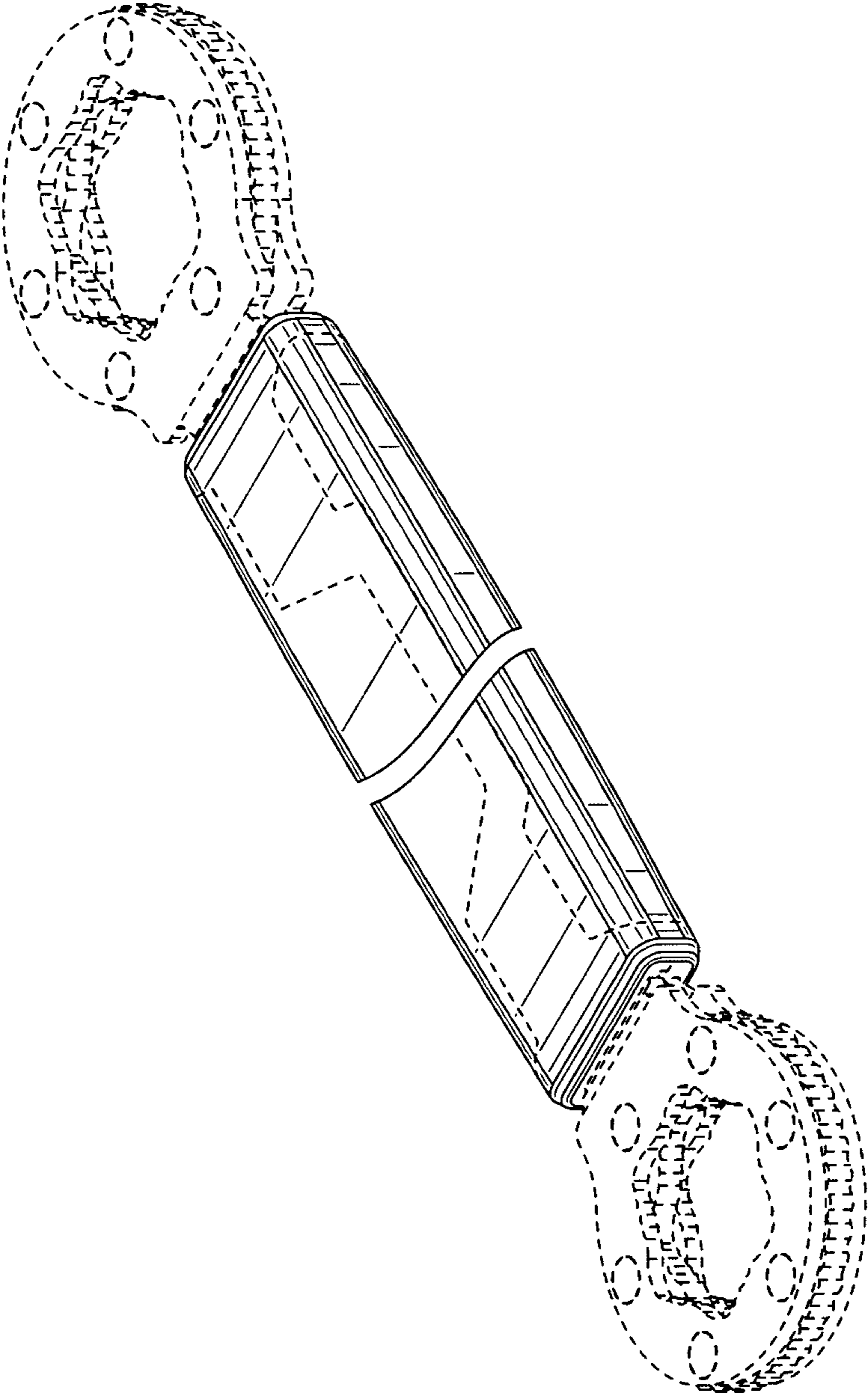


FIG. 1

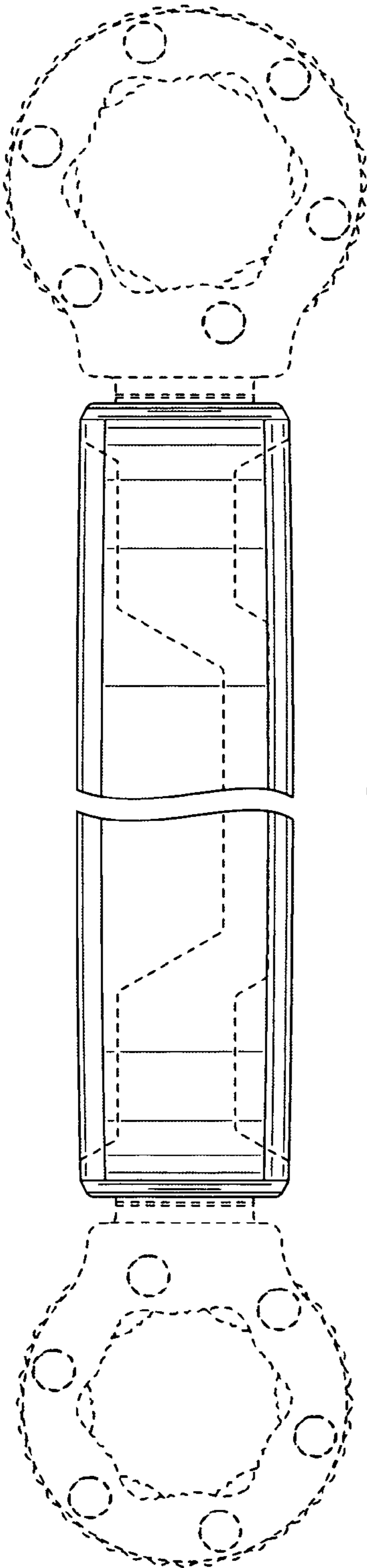


FIG. 2

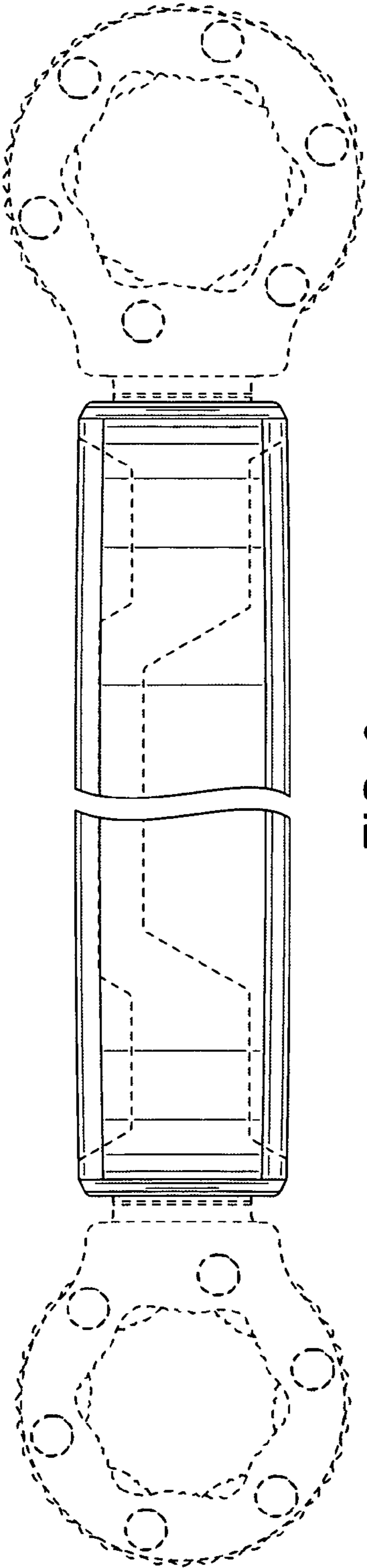


FIG. 3

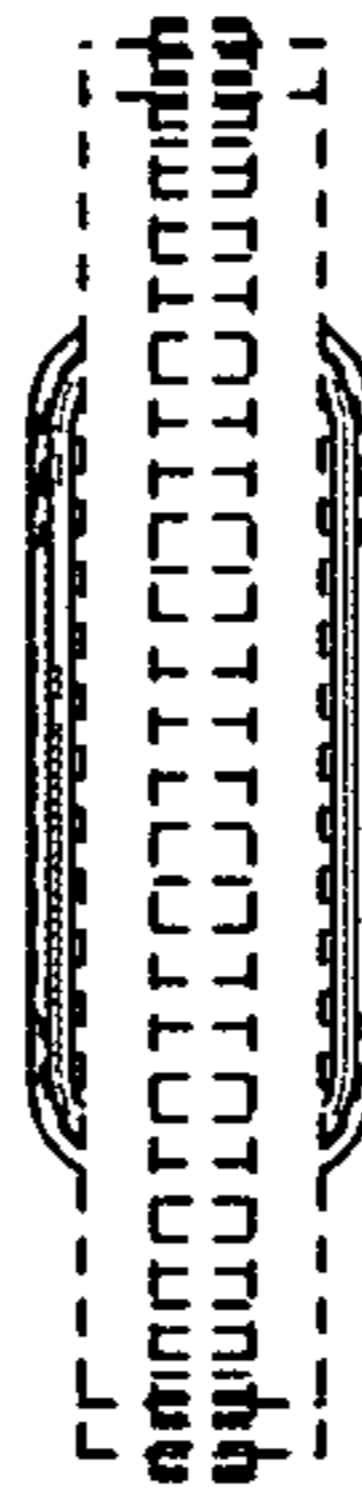


FIG. 4

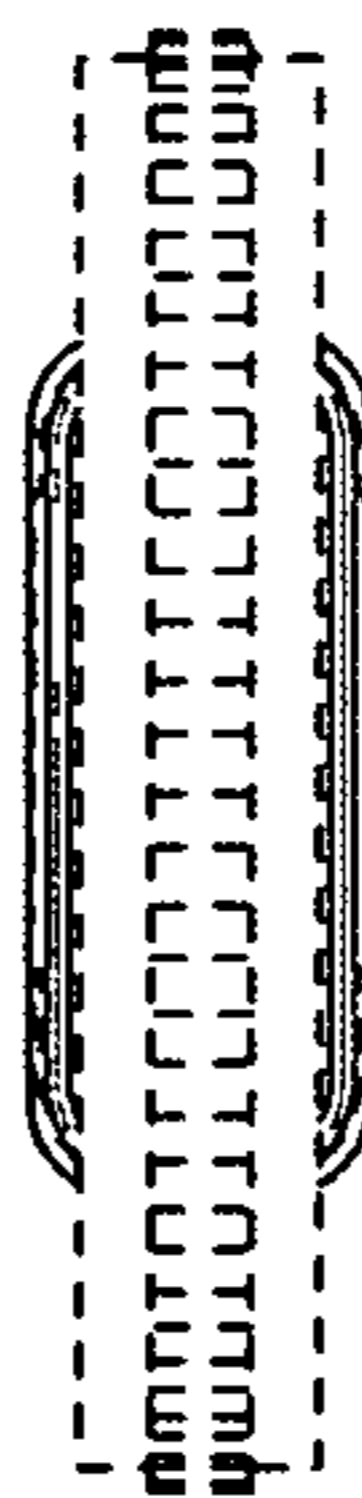


FIG. 5

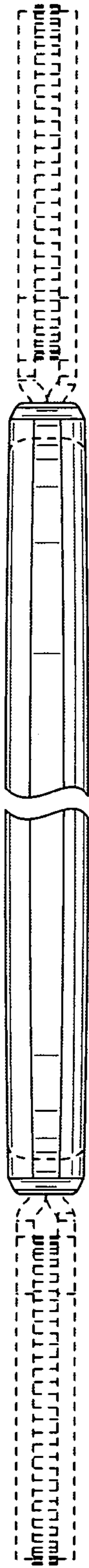


FIG. 6

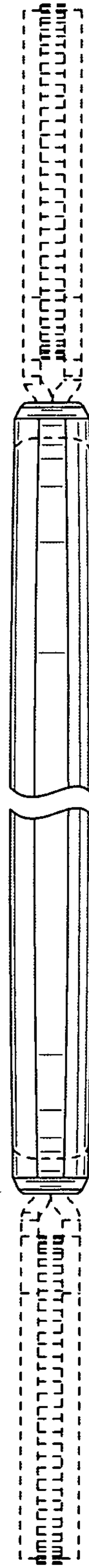


FIG. 7