



US00D753970S

(12) **United States Design Patent**  
**Ou**

(10) **Patent No.:** **US D753,970 S**

(45) **Date of Patent:** **\*\* Apr. 19, 2016**

(54) **WRENCH HANDLE**

D645,717 S \* 9/2011 Ou ..... D8/83  
D674,264 S \* 1/2013 Robinson ..... D8/83  
D690,516 S \* 10/2013 Erskine-Smith ..... D4/104

(71) Applicant: **Yu-Hua Ou**, Taichung (TW)

\* cited by examiner

(72) Inventor: **Yu-Hua Ou**, Taichung (TW)

*Primary Examiner* — Randall Gholson

(\*\*) Term: **14 Years**

(74) *Attorney, Agent, or Firm* — Muncy, Geissler, Olds & Lowe, P.C.

(21) Appl. No.: **29/515,316**

(22) Filed: **Jan. 21, 2015**

(57) **CLAIM**

I claim the ornamental design for a wrench handle, as shown and described.

(51) **LOC (10) Cl.** ..... **08-05**

(52) **U.S. Cl.**  
USPC ..... **D8/22**

**DESCRIPTION**

(58) **Field of Classification Search**

USPC ..... D8/21, 22; 81/119, 179, 186, 165, 490,  
81/170, 166, 167, 145, 146, 147, 129, 155,  
81/133, 177.2, 52, 56, 57.15, 57.21,  
81/DIG. 3; 16/110.1  
CPC ..... B25B 13/00; B25B 13/10; B25B 13/468  
See application file for complete search history.

FIG. 1 is a right, front, top perspective view of a wrench handle showing my new design;  
FIG. 2 is a front elevational view thereof;  
FIG. 3 is a rear elevational view thereof;  
FIG. 4 is a left side view thereof;  
FIG. 5 is a right side view thereof;  
FIG. 6 is a top plan view thereof;  
FIG. 7 is a bottom plan view thereof;  
FIG. 8 is a left, rear, top perspective view thereof; and,  
FIG. 9 is a left, rear, bottom perspective view of the wrench handle.

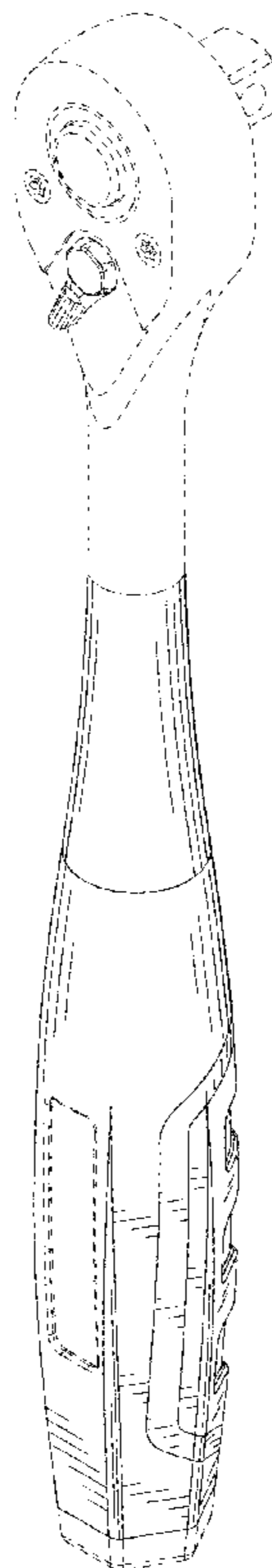
(56) **References Cited**

**U.S. PATENT DOCUMENTS**

7,587,961 B1 \* 9/2009 Chiang ..... B25B 13/468  
81/60  
D633,357 S \* 3/2011 Garcia ..... D8/83  
D637,468 S \* 5/2011 Jiang ..... D8/83  
D637,469 S \* 5/2011 Su ..... D8/107

The features shown in broken lines depict environmental structure only and form no part of the claimed design.

**1 Claim, 6 Drawing Sheets**



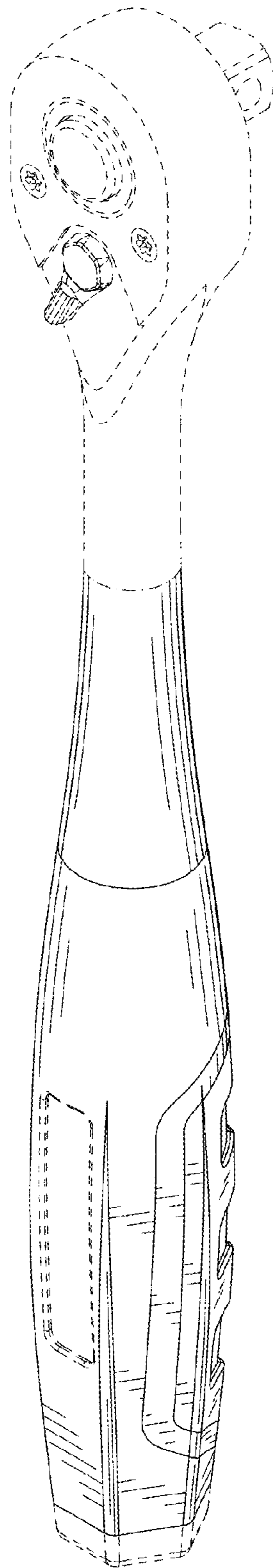


FIG. 1

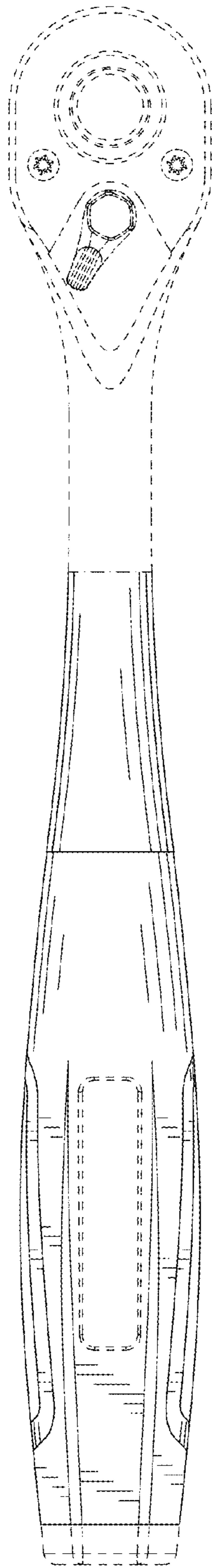


FIG. 2

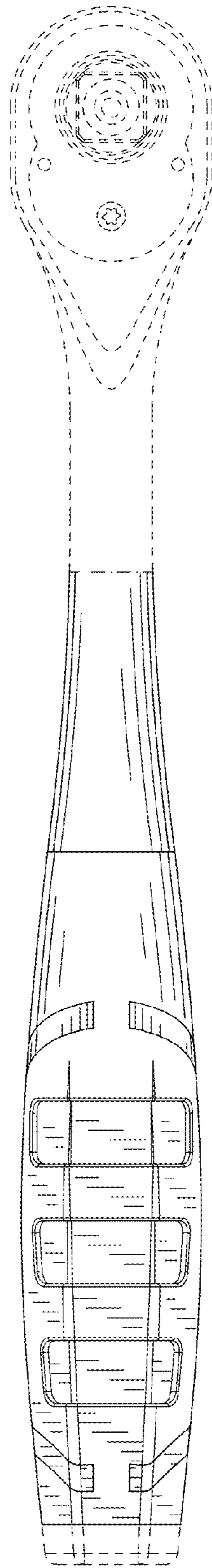


FIG. 3

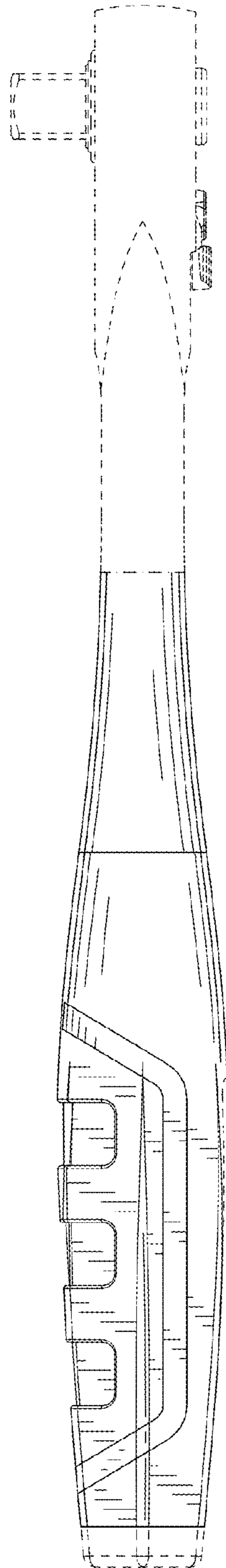


FIG. 4

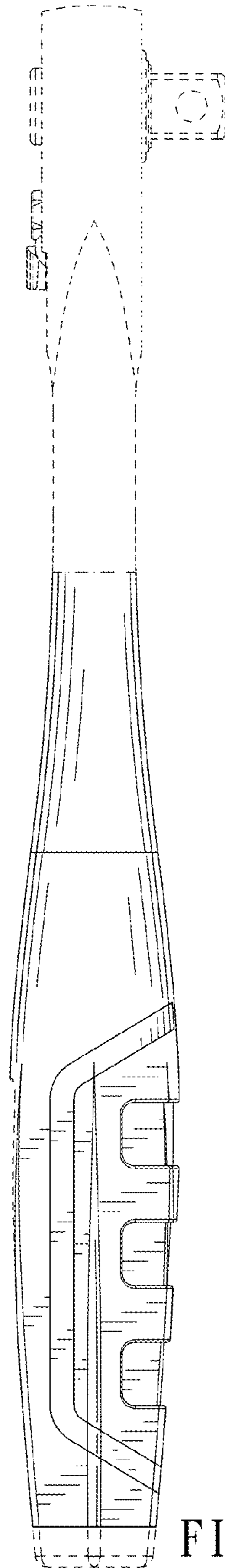


FIG. 5

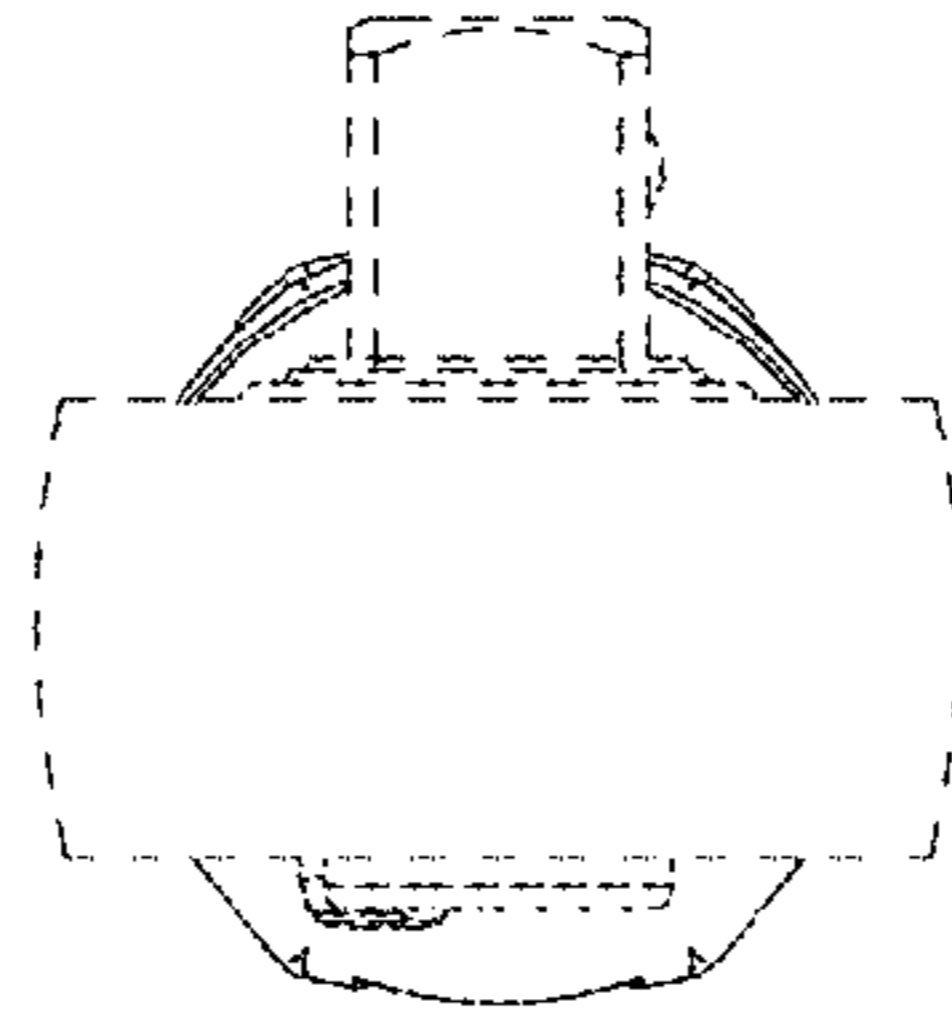


FIG. 6

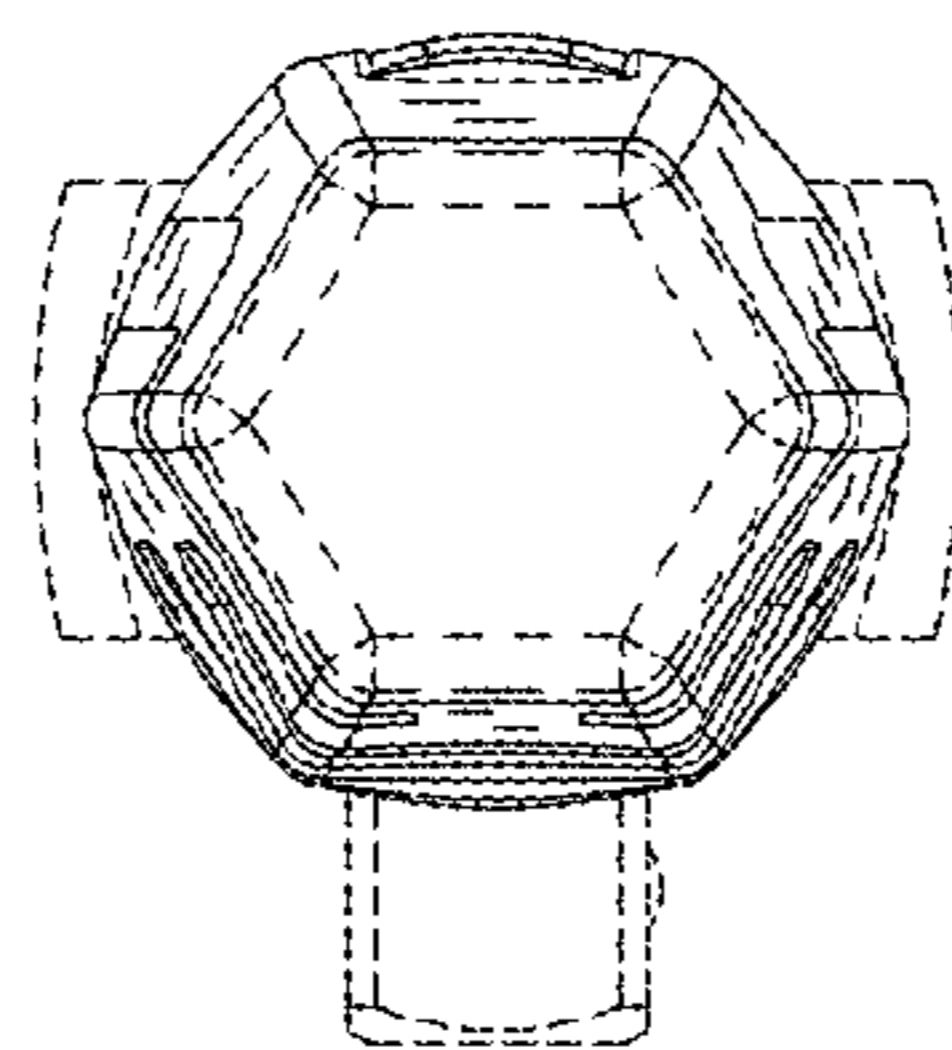


FIG. 7

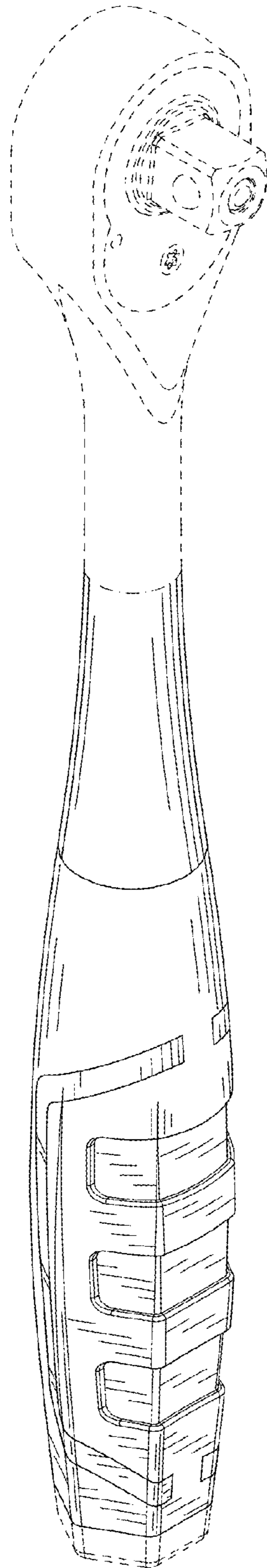


FIG. 8

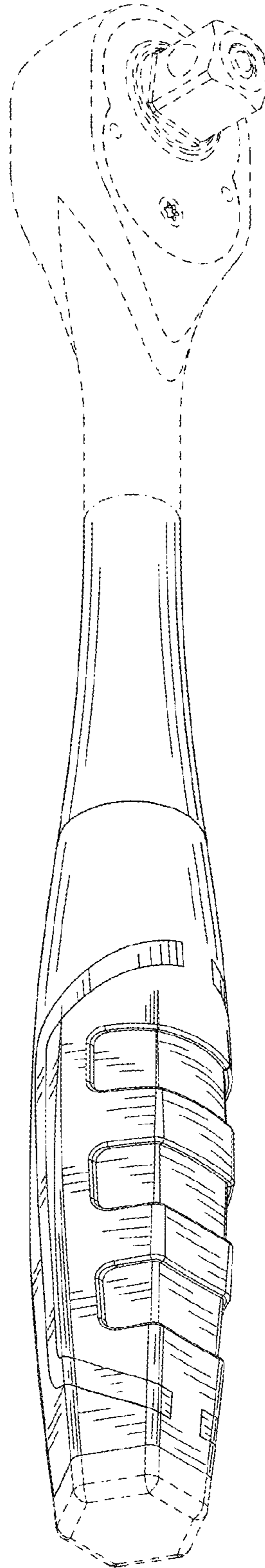


FIG. 9