



US00D753969S

(12) **United States Design Patent**
Jiang

(10) **Patent No.:** **US D753,969 S**

(45) **Date of Patent:** **** Apr. 19, 2016**

- (54) **GRASS TRIMMER**
- (71) Applicant: **CHERVON (HK) LIMITED**, Wanchai (HK)
- (72) Inventor: **Jicheng Jiang**, Nanjing (CN)
- (73) Assignee: **CHERVON (HK) LIMITED**, Hong Kong (HK)
- (**) Term: **14 Years**
- (21) Appl. No.: **29/493,043**
- (22) Filed: **Jun. 5, 2014**
- (30) **Foreign Application Priority Data**

Dec. 6, 2013 (CN) 2013 3 0604268

- (51) **LOC (10) Cl.** **08-01**
- (52) **U.S. Cl.**
USPC **D8/8**

- (58) **Field of Classification Search**
USPC D8/7, 8, 9; D15/1, 17
CPC A01G 3/00; A01G 3/053; B27B 17/00;
B27B 17/08; B27B 17/0008; B25F 5/02;
Y10T 83/9324; A01D 34/4161; A01D 34/416;
A01D 34/84; A01D 34/90
See application file for complete search history.

- (56) **References Cited**
U.S. PATENT DOCUMENTS

4,047,299	A *	9/1977	Bair	30/276
D253,086	S *	10/1979	Hinklin et al.	D8/8
D256,090	S *	7/1980	Hinklin et al.	D8/8

4,756,148	A *	7/1988	Gander et al.	56/17.2
D331,930	S *	12/1992	Whetsel	D8/8
D530,163	S *	10/2006	Xue-Feng	D8/8
D578,842	S *	10/2008	Houghton	D8/8
D668,516	S *	10/2012	Landberg	D8/8
D675,074	S *	1/2013	Baxter	D8/8
D714,109	S *	9/2014	Tate et al.	D8/8
D716,621	S *	11/2014	Tate et al.	D8/8
D723,889	S *	3/2015	Tate et al.	D8/8
2007/0068008	A1 *	3/2007	Wu et al.	30/276
2012/0102755	A1 *	5/2012	Racov et al.	30/142
2013/0031788	A1 *	2/2013	Ohno	30/276
2014/0325851	A1 *	11/2014	Bone	30/276

* cited by examiner

Primary Examiner — Sheryl Lane
Assistant Examiner — Ieisha Price

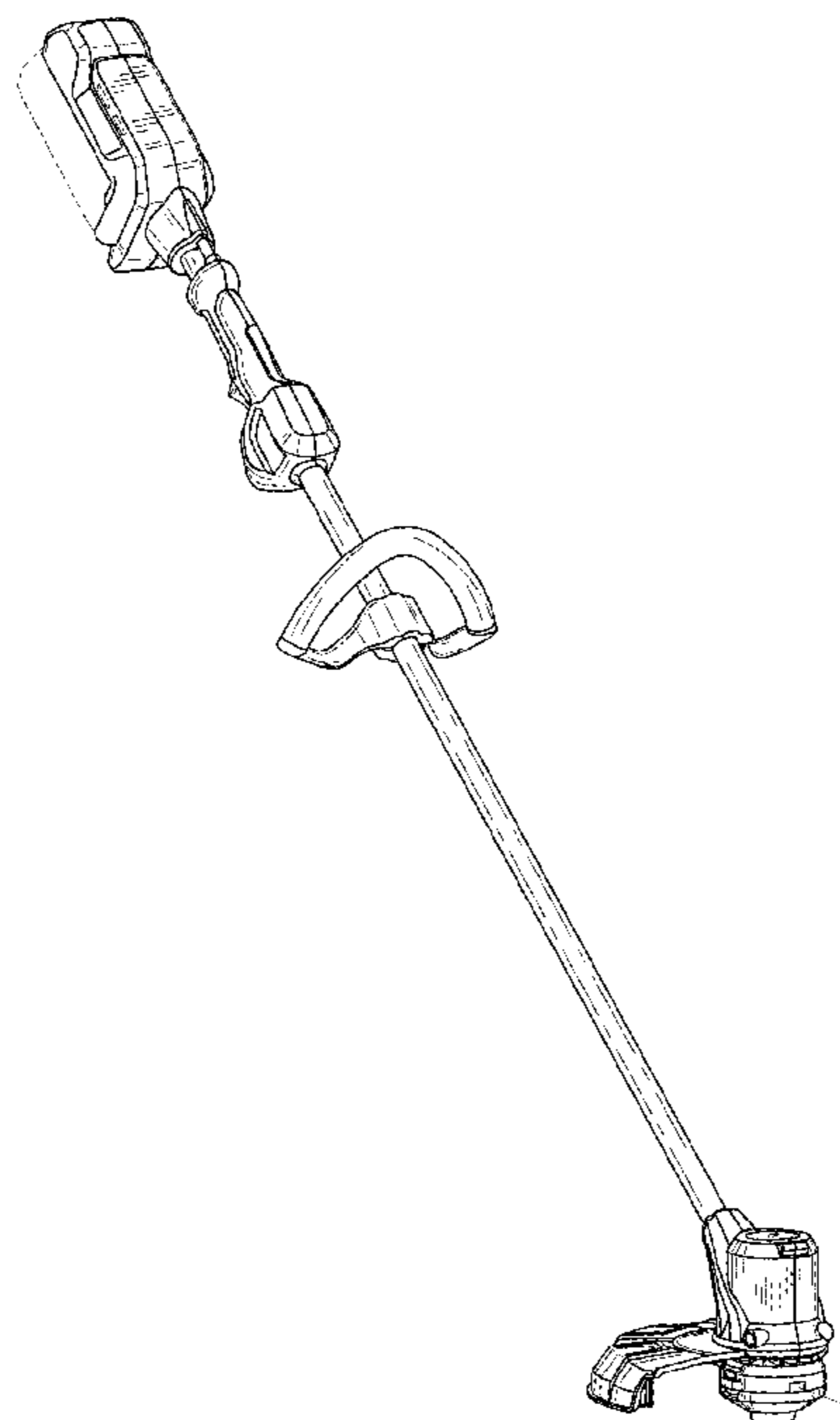
(74) *Attorney, Agent, or Firm* — Greenberg Traurig, LLP

(57) **CLAIM**
The ornamental design for a grass trimmer, as shown and described.

DESCRIPTION

FIG. 1 is a front elevational view of a grass trimmer showing my new design;
FIG. 2 is a back elevational view thereof;
FIG. 3 is a right side elevational view thereof;
FIG. 4 is a left side elevational view thereof;
FIG. 5 is a top plan view thereof;
FIG. 6 is a bottom plan view thereof; and,
FIG. 7 is a perspective view thereof.
The broken lines in the drawings illustrate portions of the grass trimmer and form no part of the claimed design.

1 Claim, 7 Drawing Sheets



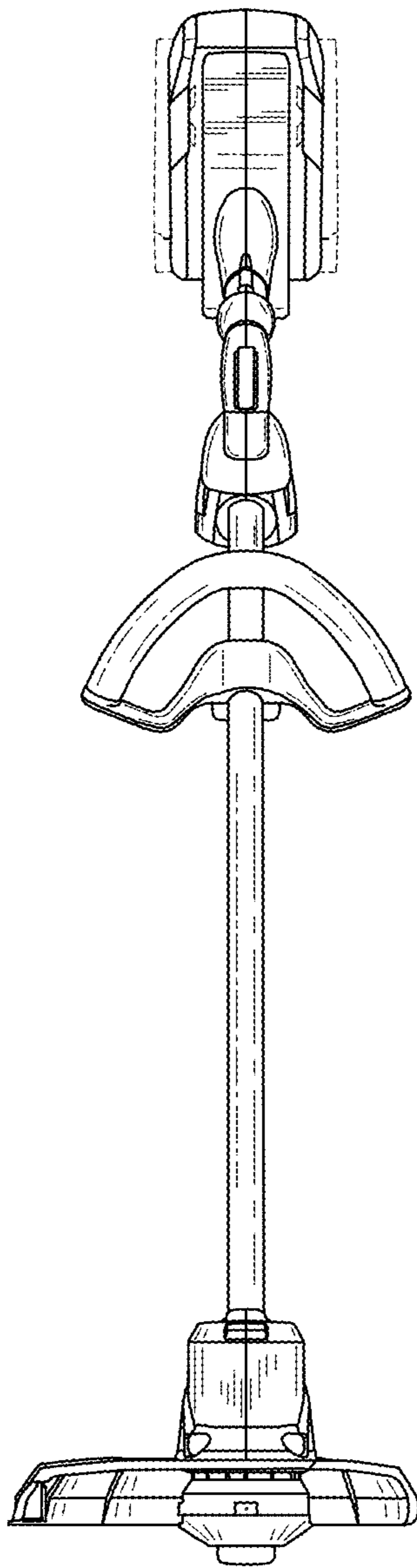


Fig. 1

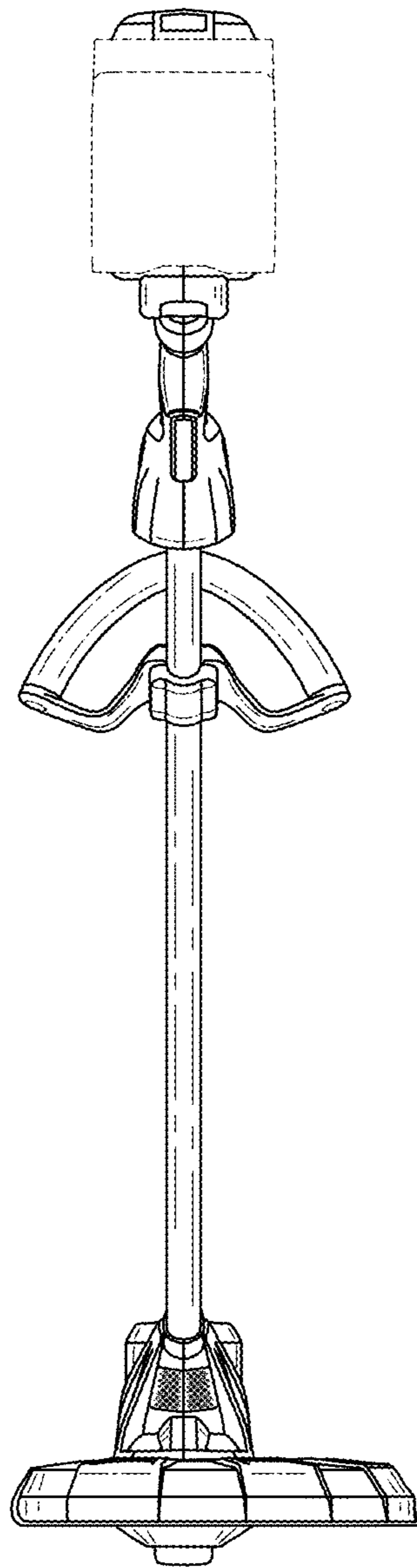


Fig. 2

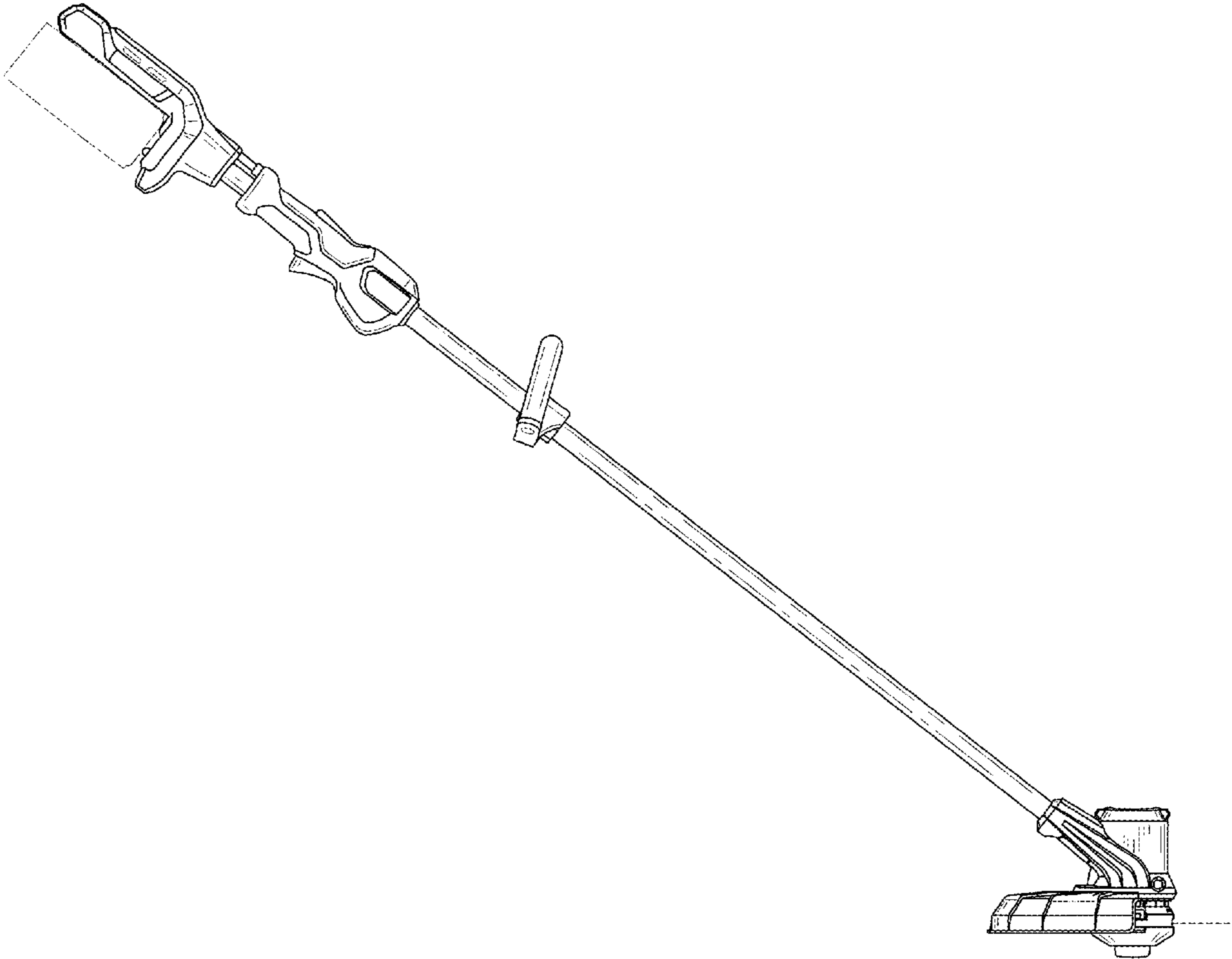


Fig. 3

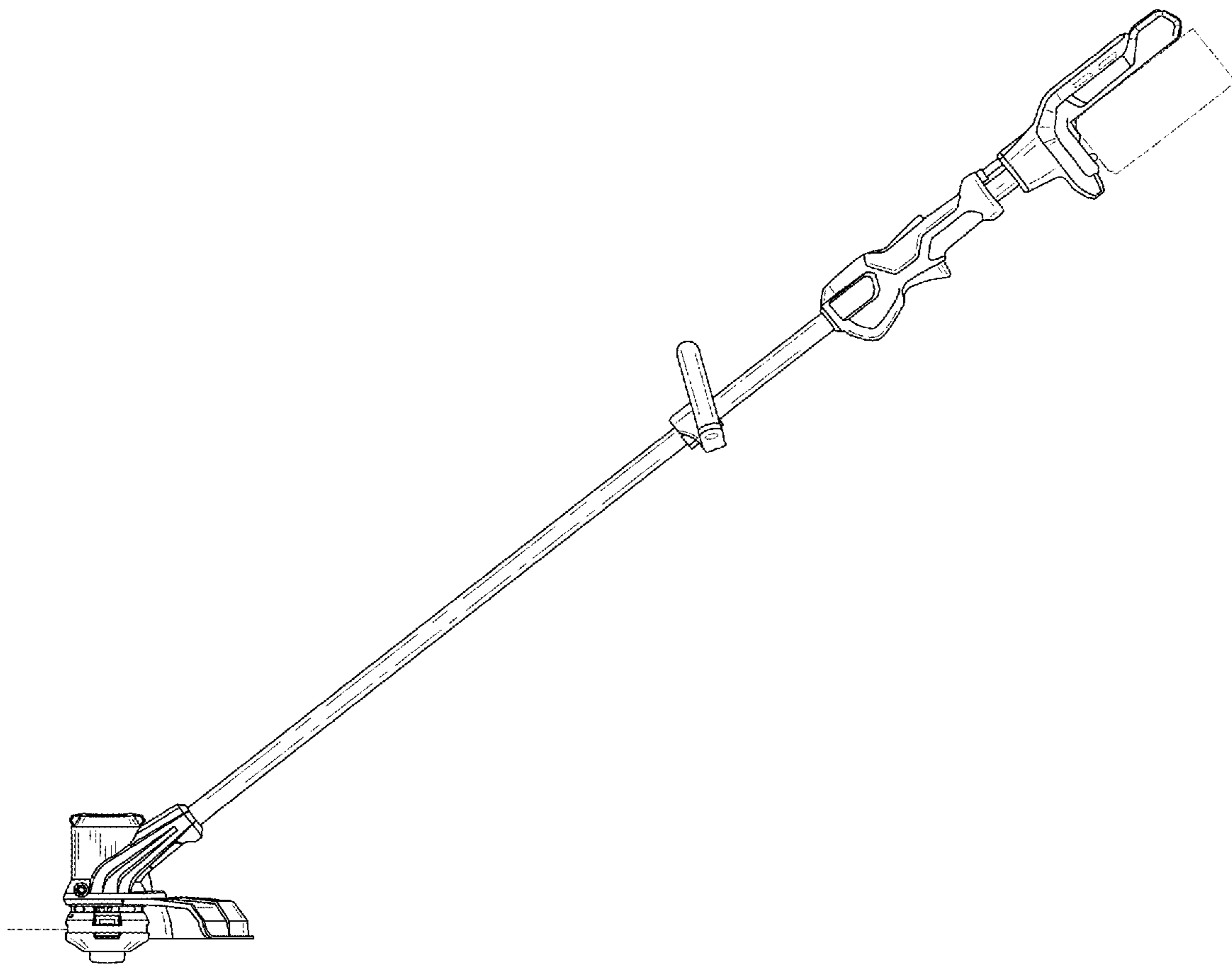


Fig. 4

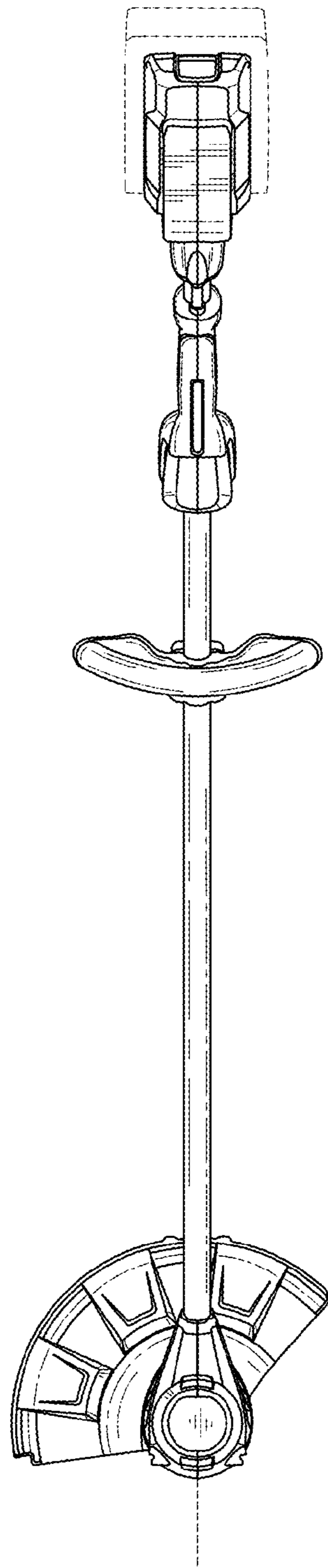


Fig. 5

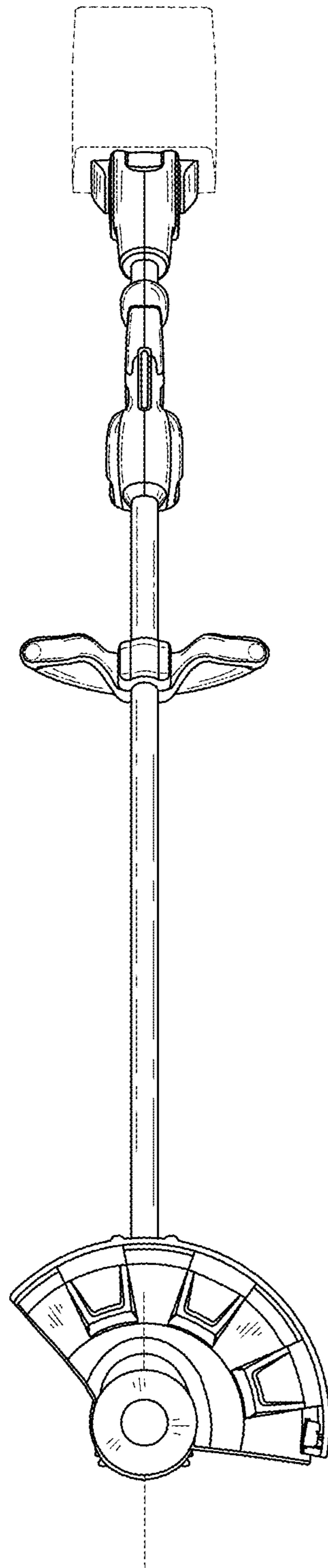


Fig. 6

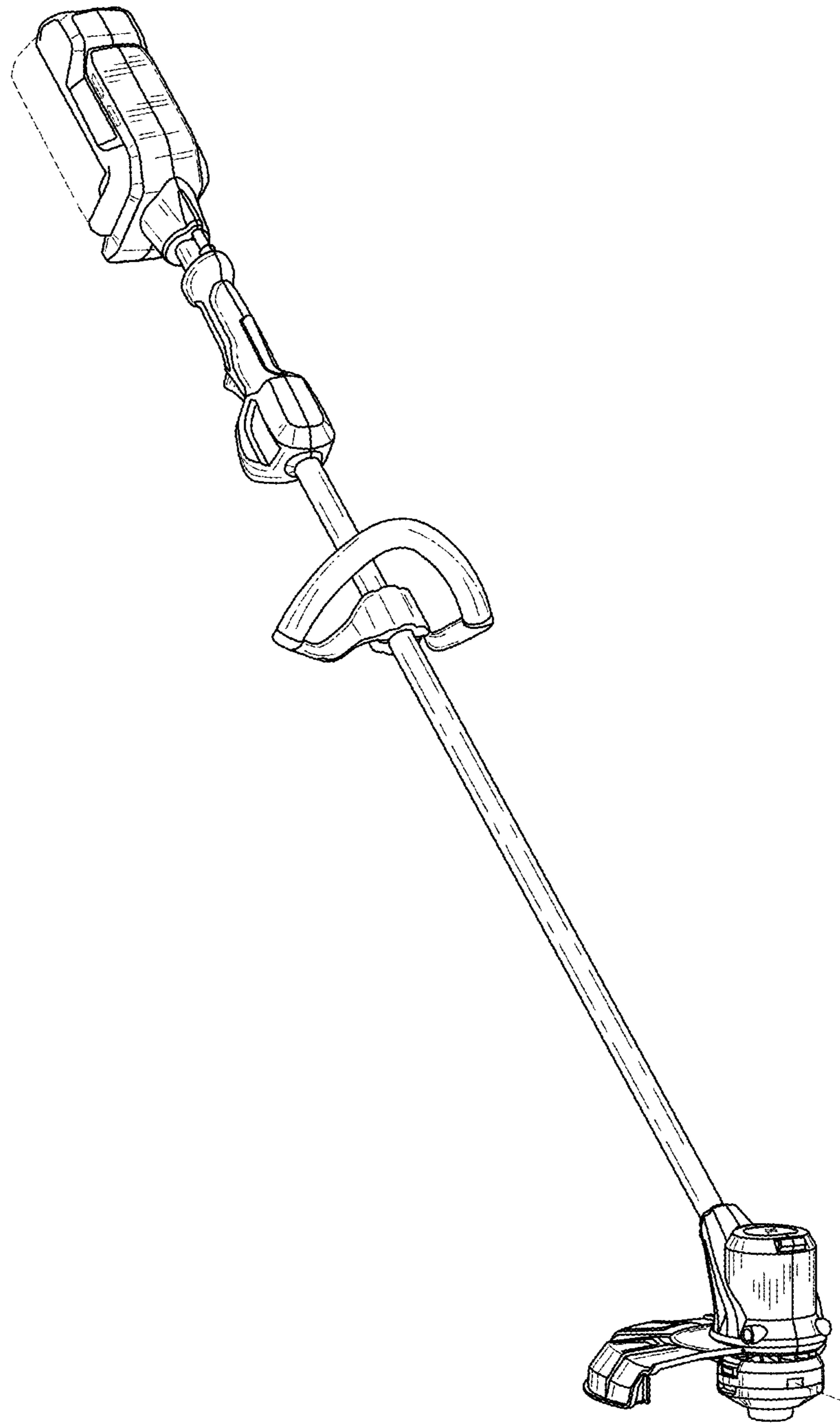


Fig. 7