



US00D753968S

(12) **United States Design Patent**
Jiang

(10) **Patent No.:** **US D753,968 S**
(45) **Date of Patent:** **** Apr. 19, 2016**

- (54) **HEDGE TRIMMER**
- (71) Applicant: **CHERVON (HK) LIMITED**, Wanchai (HK)
- (72) Inventor: **Jicheng Jiang**, Nanjing (CN)
- (73) Assignee: **CHEVRON (HK) LIMITED**, Hong Kong (HK)

- (**) Term: **14 Years**
- (21) Appl. No.: **29/493,033**
- (22) Filed: **Jun. 5, 2014**

- (30) **Foreign Application Priority Data**
Dec. 6, 2013 (CN) 2013 3 0604310
- (51) **LOC (10) CL.** **08-01**
- (52) **U.S. CL.**
USPC **D8/8**
- (58) **Field of Classification Search**
USPC D8/7, 8, 9; D15/1, 17
CPC . A01D 34/4161; A01D 34/416; A01D 34/84;
A01D 34/90; A01G 3/00; A01G 3/053;
B27B 17/00; B27B 17/08; B27B 17/0008;
B25F 5/02; Y10T 83/9324
See application file for complete search history.

- (56) **References Cited**
U.S. PATENT DOCUMENTS
D354,891 S * 1/1995 McJunkin et al. D8/8
D364,541 S * 11/1995 McJunkin et al. D8/8
D376,740 S * 12/1996 Gildersleeve D8/8
D382,451 S * 8/1997 Kikuchi D8/8
D460,667 S * 7/2002 Waldron D8/8
D463,228 S * 9/2002 Cooper D8/8
D463,229 S * 9/2002 Gabriel D8/8
D468,600 S * 1/2003 Evans D8/8
D473,116 S * 4/2003 Jong D8/8

- D582,225 S * 12/2008 Bochmann et al. D8/8
- D649,845 S * 12/2011 Yamamoto et al. D8/9
- D650,643 S * 12/2011 Aoki et al. D8/8
- D661,557 S * 6/2012 Sweeney D8/8
- D668,513 S * 10/2012 Okuda et al. D8/8
- D668,514 S * 10/2012 Sweeney D8/8
- D675,072 S * 1/2013 Stratford D8/8
- D721,551 S * 1/2015 Carl et al. D8/8
- 2014/0047719 A1 * 2/2014 Shimizu et al. 30/216

OTHER PUBLICATIONS

Amazon.com : Black & Decker NHT2218 18-Volt Cordless Hedge Trimmer, 22-Inch : Power Hedge Trimmers : Patio, Lawn & Garden, image post date May 20, 2012, site visited on Jun. 9 2015 (online), <http://www.amazon.com/...1944687622&pf_rd_s=lpo-top-stripe-1&pf_rd_t=201&pf_rd_i=B00602J27E&pf_rd_m=ATVPDKIKX0DER&pf_rd_r=1EEYD86PFCCZCJVNZYM0>.*

(Continued)

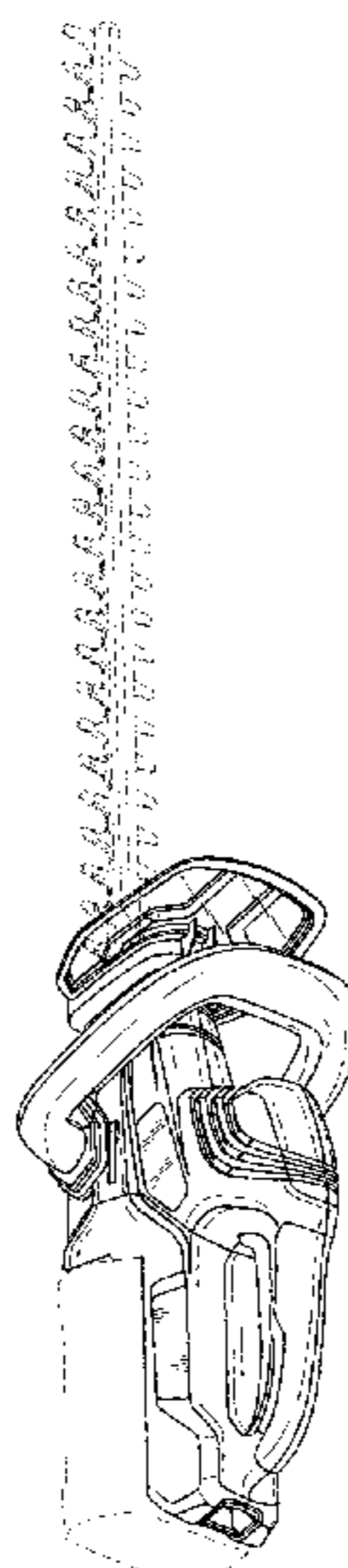
Primary Examiner — Sheryl Lane
Assistant Examiner — Ieisha Price
(74) *Attorney, Agent, or Firm* — Greenberg Traurig, LLP

(57) **CLAIM**
The ornamental design for a hedge trimmer, as shown and described.

DESCRIPTION

FIG. 1 is a left side elevational view of a hedge trimmer showing my new design;
FIG. 2 is a right side elevational view thereof;
FIG. 3 is a bottom plan view thereof;
FIG. 4 is a top plan view thereof;
FIG. 5 is a front side elevational view thereof;
FIG. 6 is a back side elevational view thereof; and,
FIG. 7 is a perspective view thereof.
The broken lines in the drawings illustrate portions of the hedge trimmer and form no part of the claimed design.

1 Claim, 6 Drawing Sheets



(56)

References Cited

OTHER PUBLICATIONS

Amazon.com : Black and Decker LHT2220 22-Inch 20-Volt Lithium Ion Cordless Hedge Trimmer, Includes 20v Battery : Power Hedge Trimmers, image post date Jun. 18, 2012, site visited on Jun. 9, 2015

(online), <http://www.amazon.com/...1944687622&pf_rd_s=lpo-top-stripe-1&pf_rd_t=201&pf_rd_i=B00602J27E&pf_rd_m=ATVPDKIKX0DER&pf_rd_r=1EEYD86PFCCZCJVNZYM0>.*

* cited by examiner

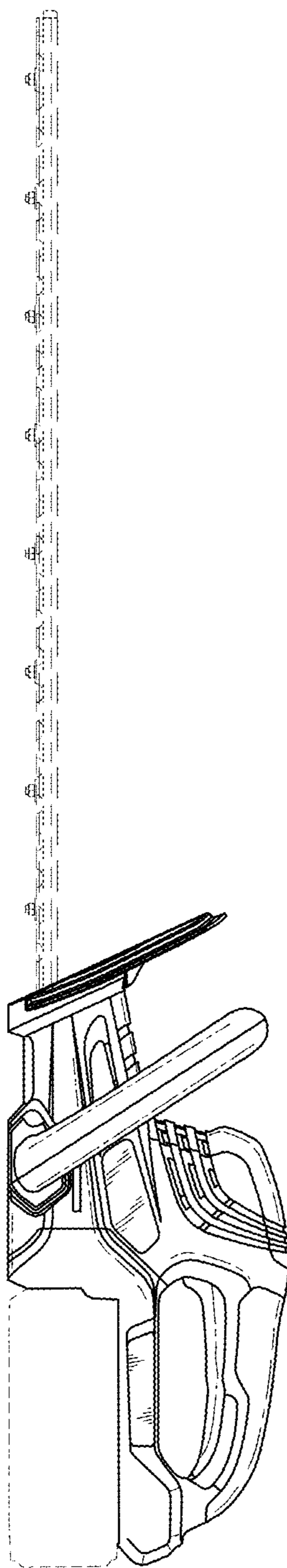


Fig. 1

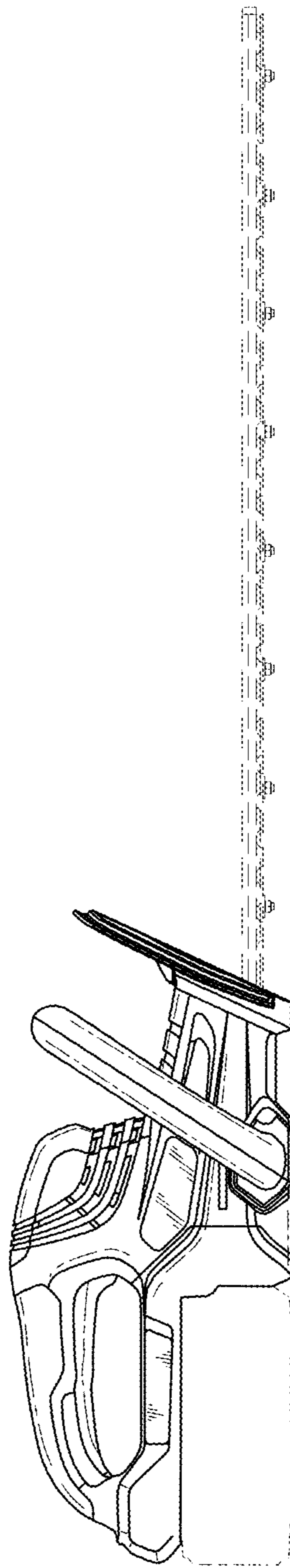


Fig. 2

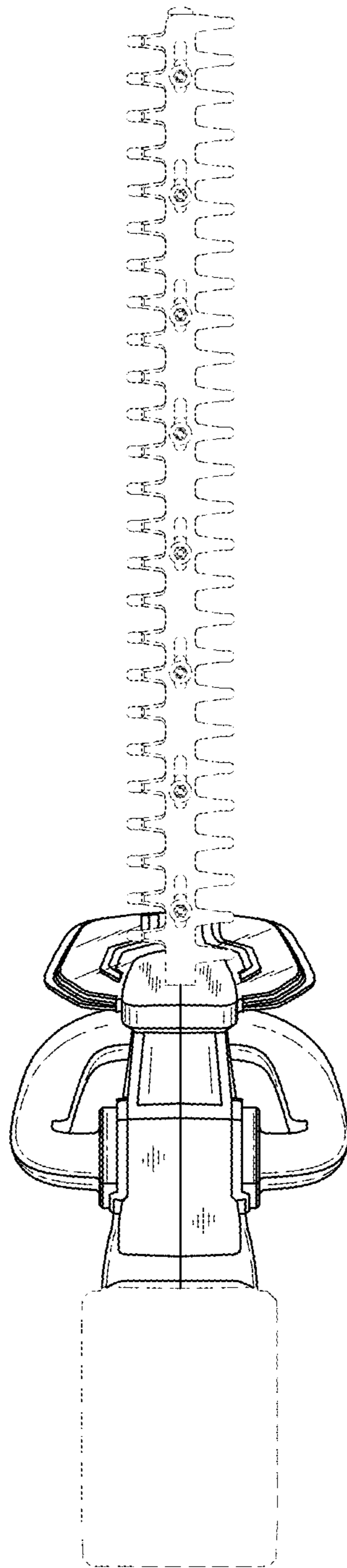


Fig. 3

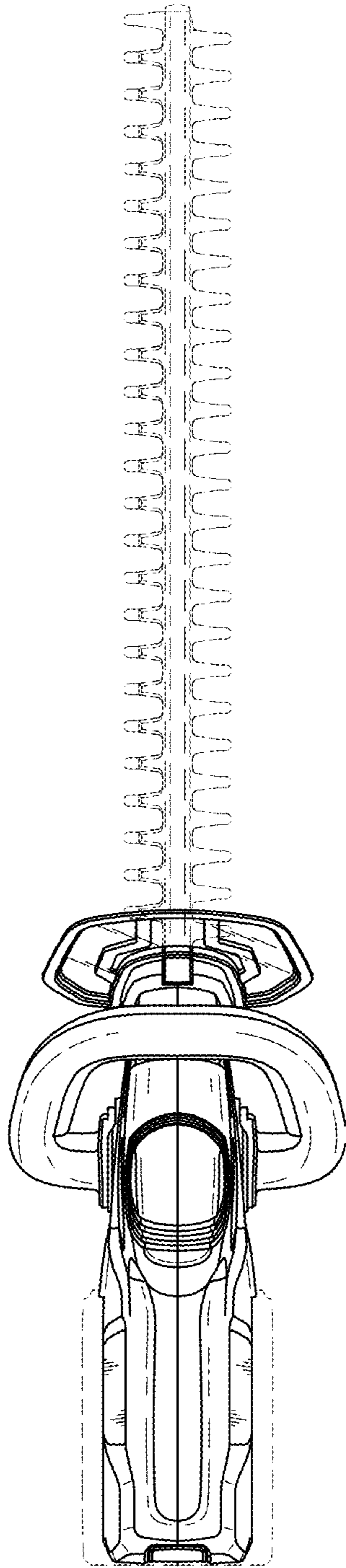


Fig. 4

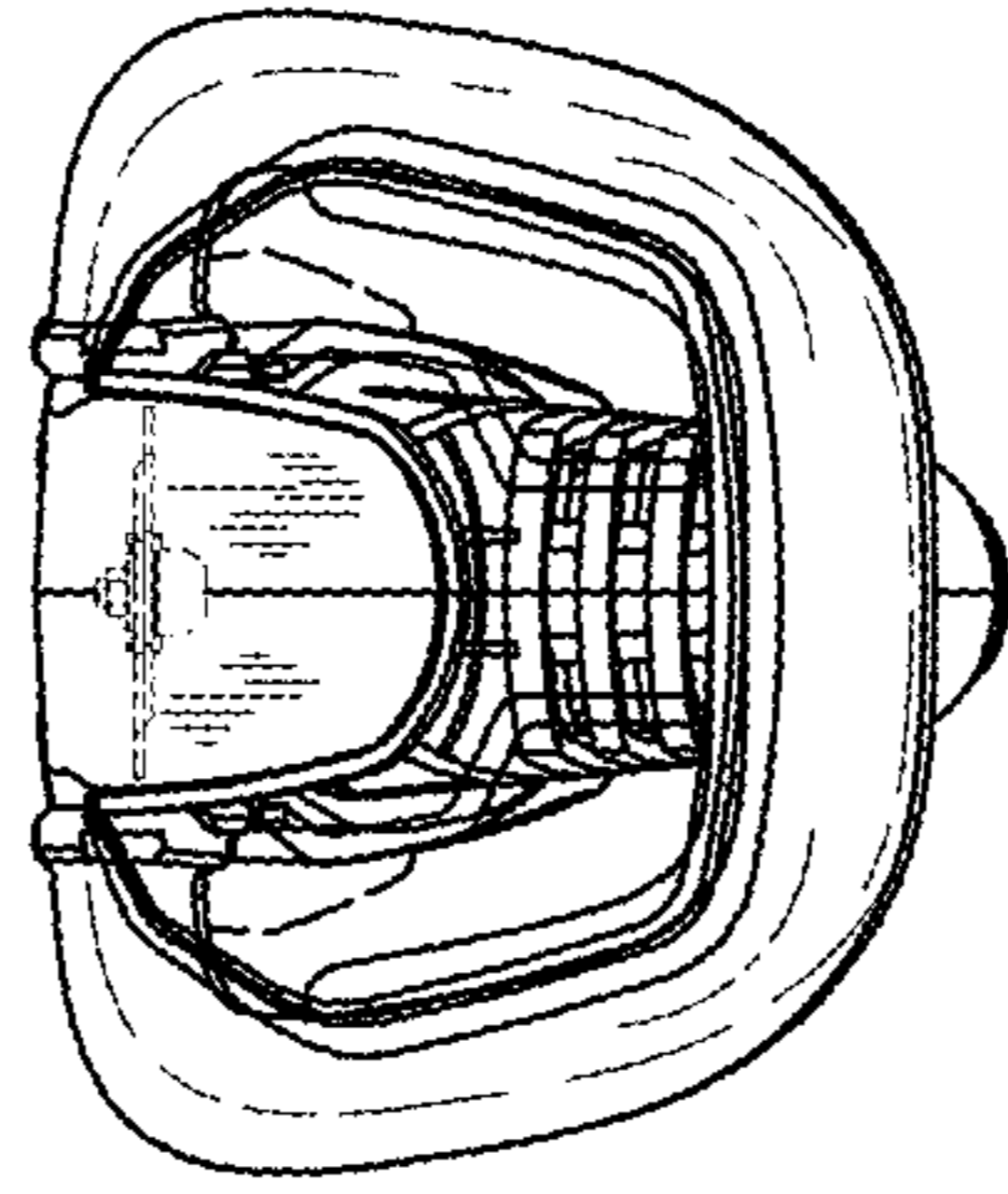


Fig. 5

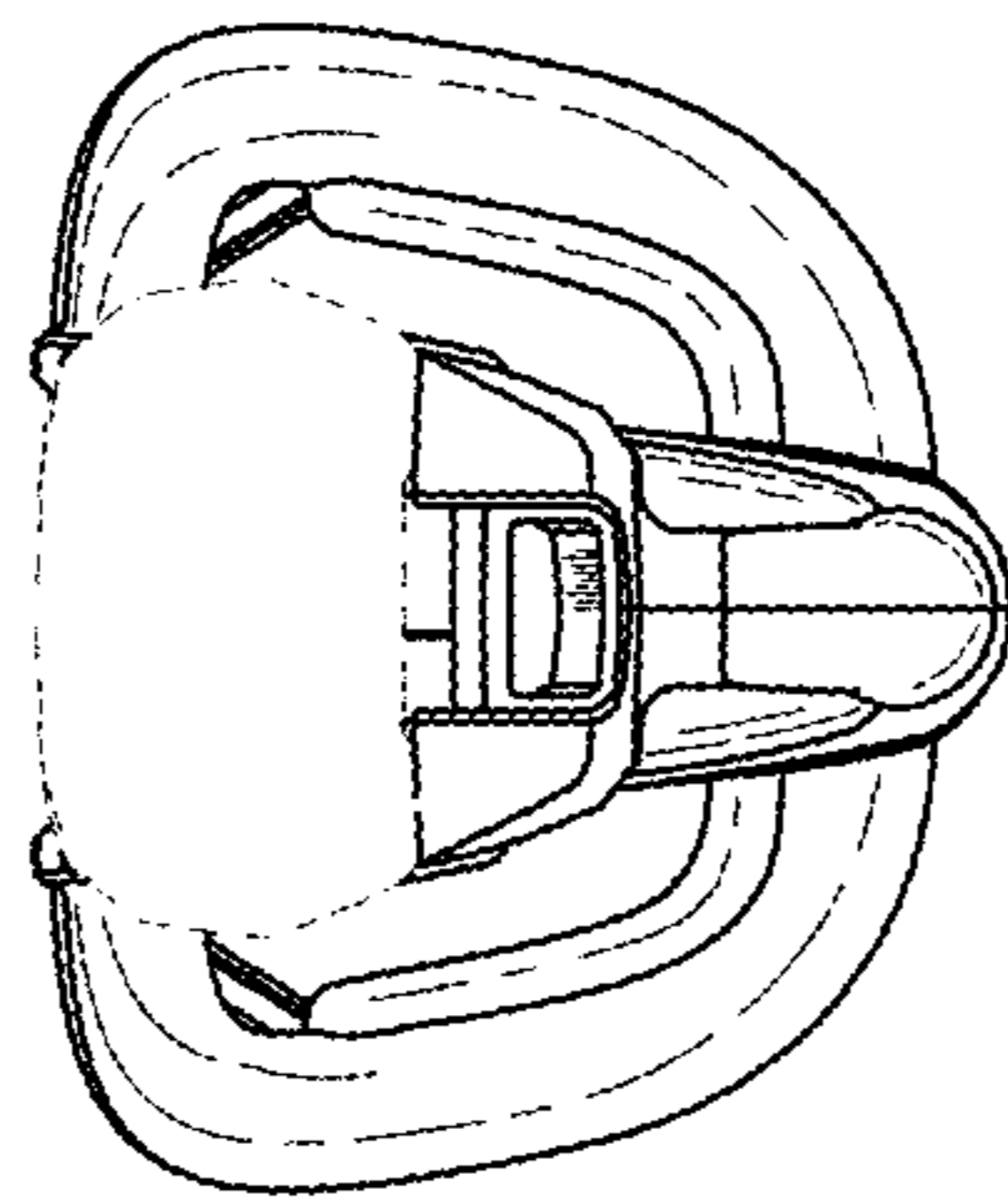


Fig. 6

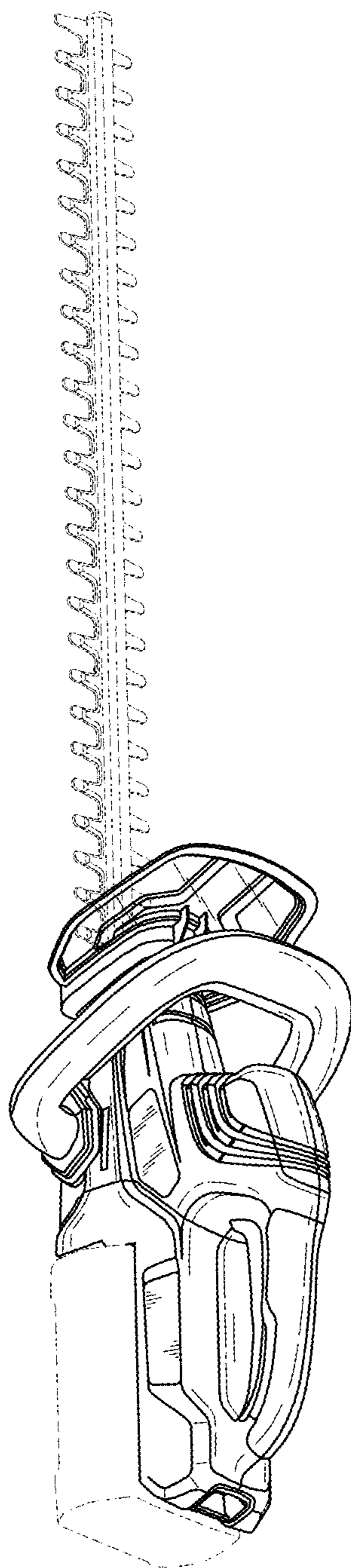


Fig. 7

UNITED STATES PATENT AND TRADEMARK OFFICE
CERTIFICATE OF CORRECTION

PATENT NO. : D753,968 S
APPLICATION NO. : 29/493033
DATED : April 19, 2016
INVENTOR(S) : Jicheng Jiang

Page 1 of 1

It is certified that error appears in the above-identified patent and that said Letters Patent is hereby corrected as shown below:

On the Title Page

(73) Assignee: 'Chevron' (HK) Limited should read --Chervon-- (HK) Limited

Signed and Sealed this
Second Day of January, 2018



Joseph Matal

*Performing the Functions and Duties of the
Under Secretary of Commerce for Intellectual Property and
Director of the United States Patent and Trademark Office*