



US00D753967S

(12) **United States Design Patent**  
**London**

(10) **Patent No.:** **US D753,967 S**

(45) **Date of Patent:** **\*\* Apr. 19, 2016**

(54) **LANDSCAPE EDGING UNIT KIT**

(71) Applicant: **Wayne London**, Weeki Wachee, FL  
(US)

(72) Inventor: **Wayne London**, Weeki Wachee, FL  
(US)

(\*\*) Term: **15 Years**

(21) Appl. No.: **29/535,915**

(22) Filed: **Aug. 11, 2015**

(51) **LOC (10) Cl.** ..... **08-01**

(52) **U.S. Cl.**  
USPC ..... **D8/1; D25/113**

(58) **Field of Classification Search**  
USPC ..... D8/1; D25/113, 164; 47/33, 46-47  
CPC ..... A01G 1/08  
See application file for complete search history.

(56) **References Cited**

**U.S. PATENT DOCUMENTS**

2,094,519	A *	9/1937	Ballard	.....	A01G 1/08 256/21
D276,494	S *	11/1984	Novak	.....	256/19
4,747,231	A *	5/1988	LeMay	.....	A01G 1/08 47/33
5,027,551	A	7/1991	Rodriguez		
D370,394	S *	6/1996	Lilley	.....	D8/1
D435,119	S *	12/2000	Whitson	.....	D25/113
D435,305	S *	12/2000	Pullen	.....	D25/164
D451,209	S *	11/2001	Ogawa	.....	D25/113
6,415,562	B1	7/2002	Donaghue et al.		
D461,913	S *	8/2002	Ogawa	.....	D25/113
D462,786	S *	9/2002	Ogawa	.....	D25/113
D471,990	S *	3/2003	Riccobene	.....	D25/113
D479,001	S *	8/2003	Ogawa	.....	D25/113
D480,818	S *	10/2003	Ogawa	.....	D25/113

D487,932	S *	3/2004	Crooks	.....	D25/113
D488,242	S *	4/2004	MacDonald	.....	D25/113
D490,542	S *	5/2004	MacDonald	.....	D25/113
6,964,125	B2	11/2005	Harris		
D572,832	S *	7/2008	Gratner	.....	D25/113
D602,172	S *	10/2009	Gratner	.....	D25/113
D657,890	S *	4/2012	Riccobene	.....	D25/113
D661,407	S *	6/2012	Riccobene	.....	D25/113
D666,316	S *	8/2012	MacDonald	.....	D25/113
D666,317	S *	8/2012	MacDonald	.....	D25/113
D666,318	S *	8/2012	MacDonald	.....	D25/113
D703,011	S *	4/2014	Tscharner	.....	D8/1
D711,698	S *	8/2014	Tscharner	.....	D8/1

\* cited by examiner

*Primary Examiner* — Sheryl Lane

(74) *Attorney, Agent, or Firm* — Crossley Patent Law

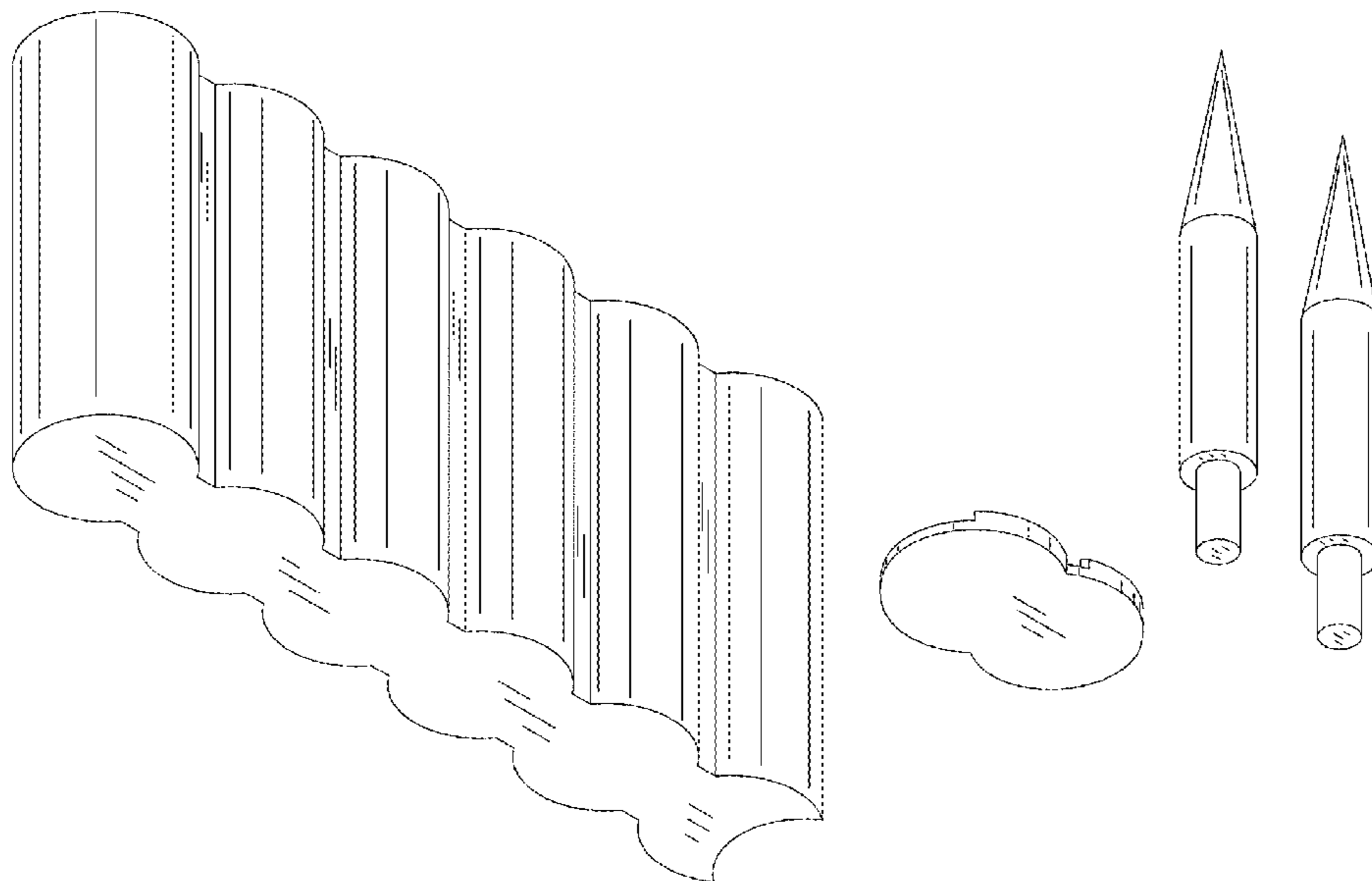
(57) **CLAIM**

The ornamental design for a landscape edging unit kit, as shown and described.

**DESCRIPTION**

FIG. 1 is a front elevation view of a landscape edging unit kit showing my new design with a single edging body, a connector, and a pair of stakes separated for clarity; FIG. 2 is a rear elevation view thereof; FIG. 3 is a right side elevation view thereof; FIG. 4 is a left side elevation view thereof; FIG. 5 is a bottom plan view thereof; FIG. 6 is a top plan view thereof; FIG. 7 is a bottom isometric view thereof; FIG. 8 is a top isometric view thereof; and, FIG. 9 is an in-use front isometric view thereof. The broken lines in FIG. 9 of the drawings depict a second edging body and a second pair of stakes as environmental subject matter only and form no part of the claimed design.

**1 Claim, 8 Drawing Sheets**



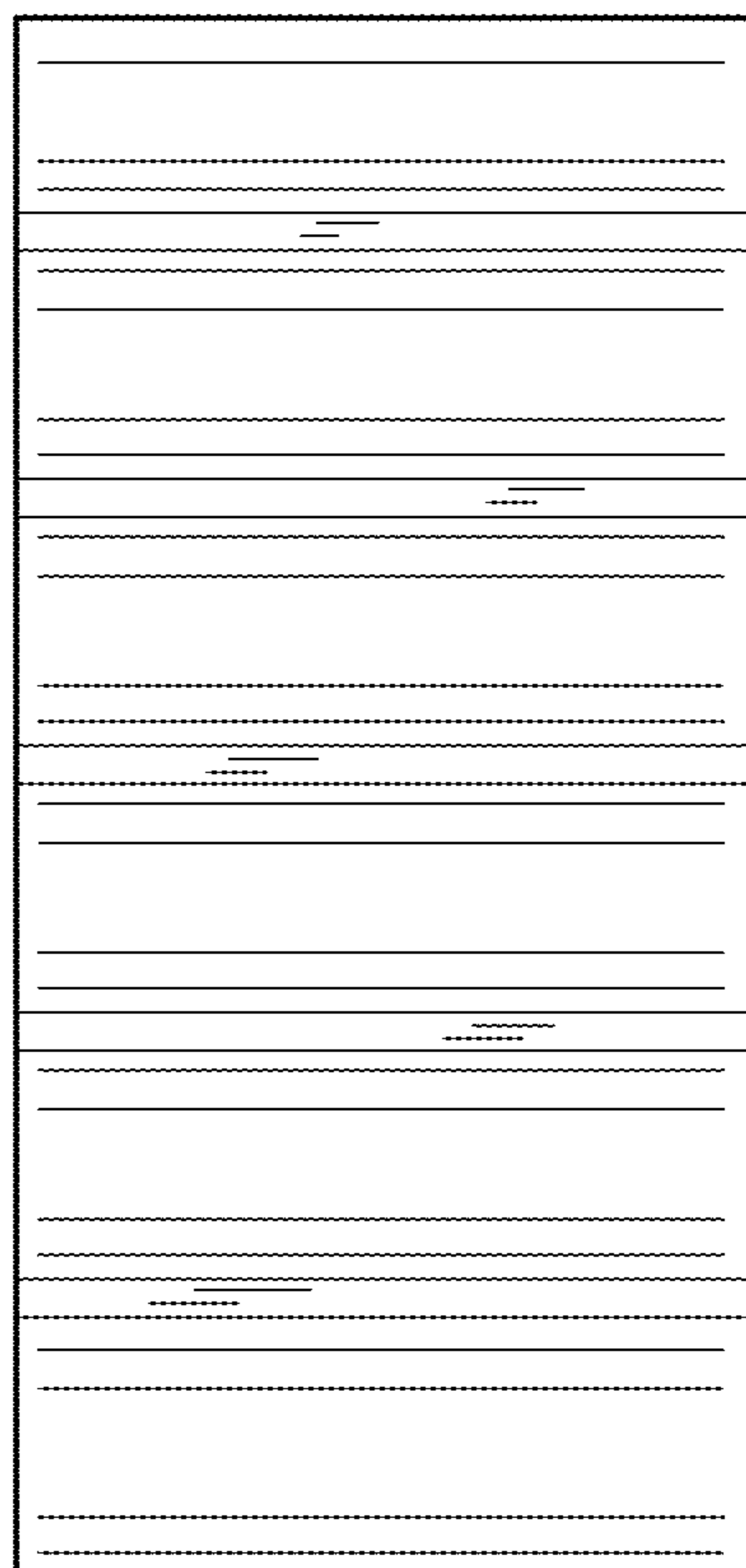
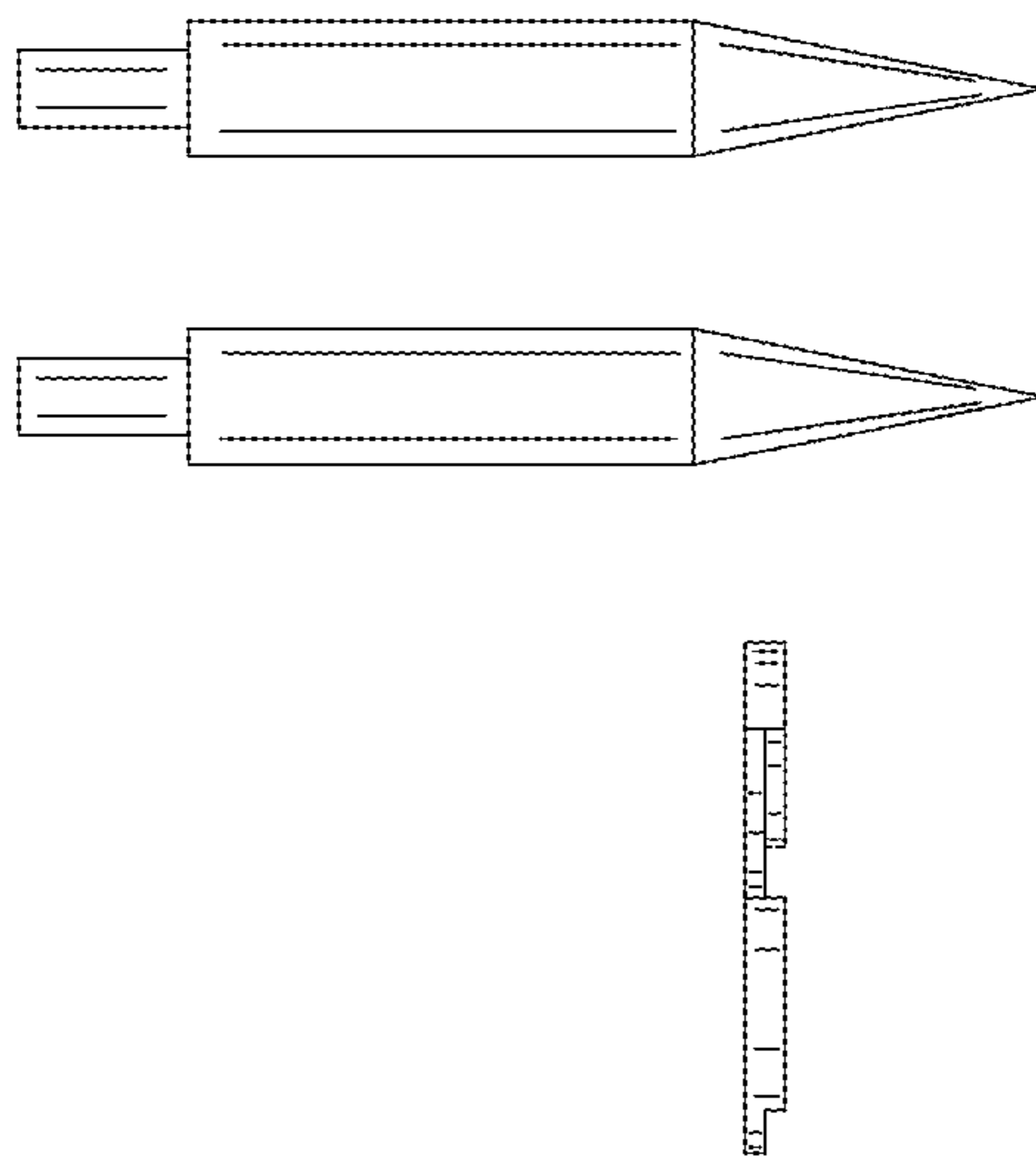


FIG. 1

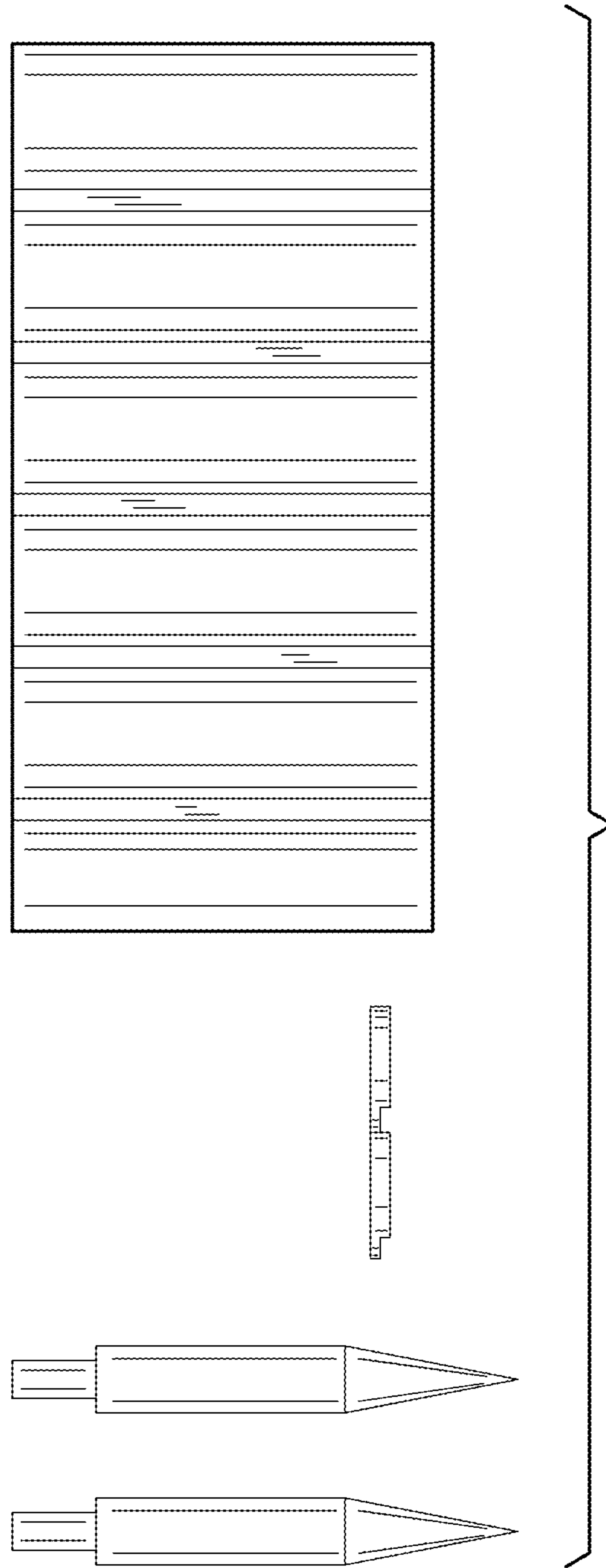


FIG. 2

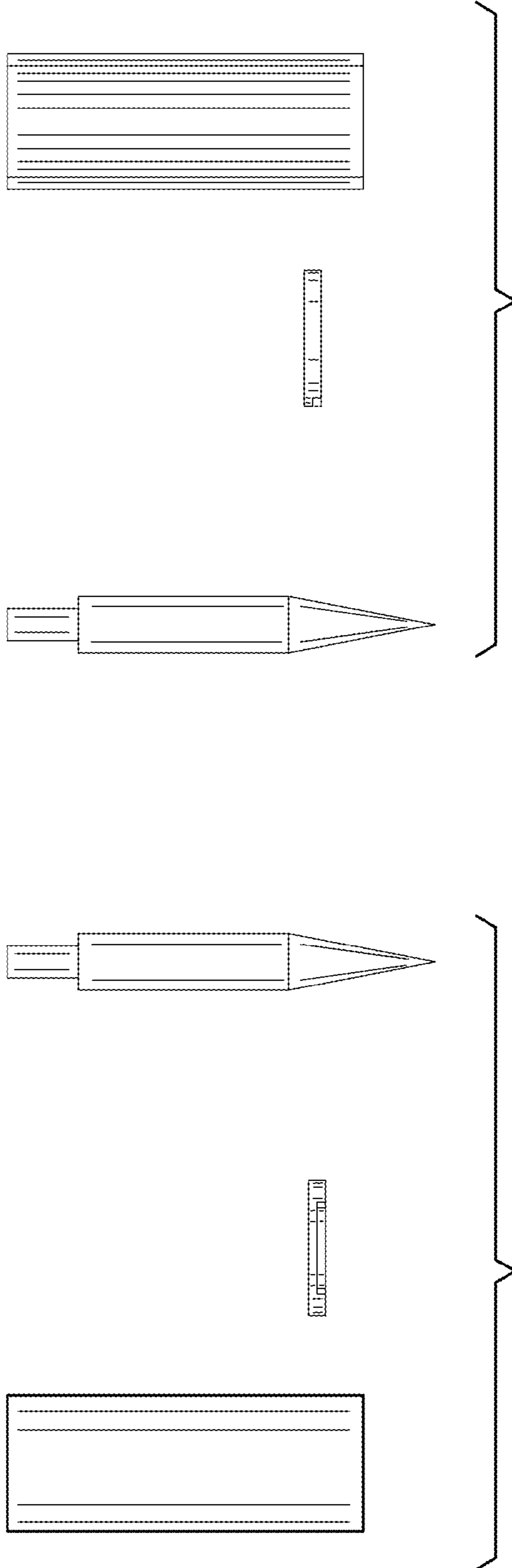


FIG. 4

FIG. 3

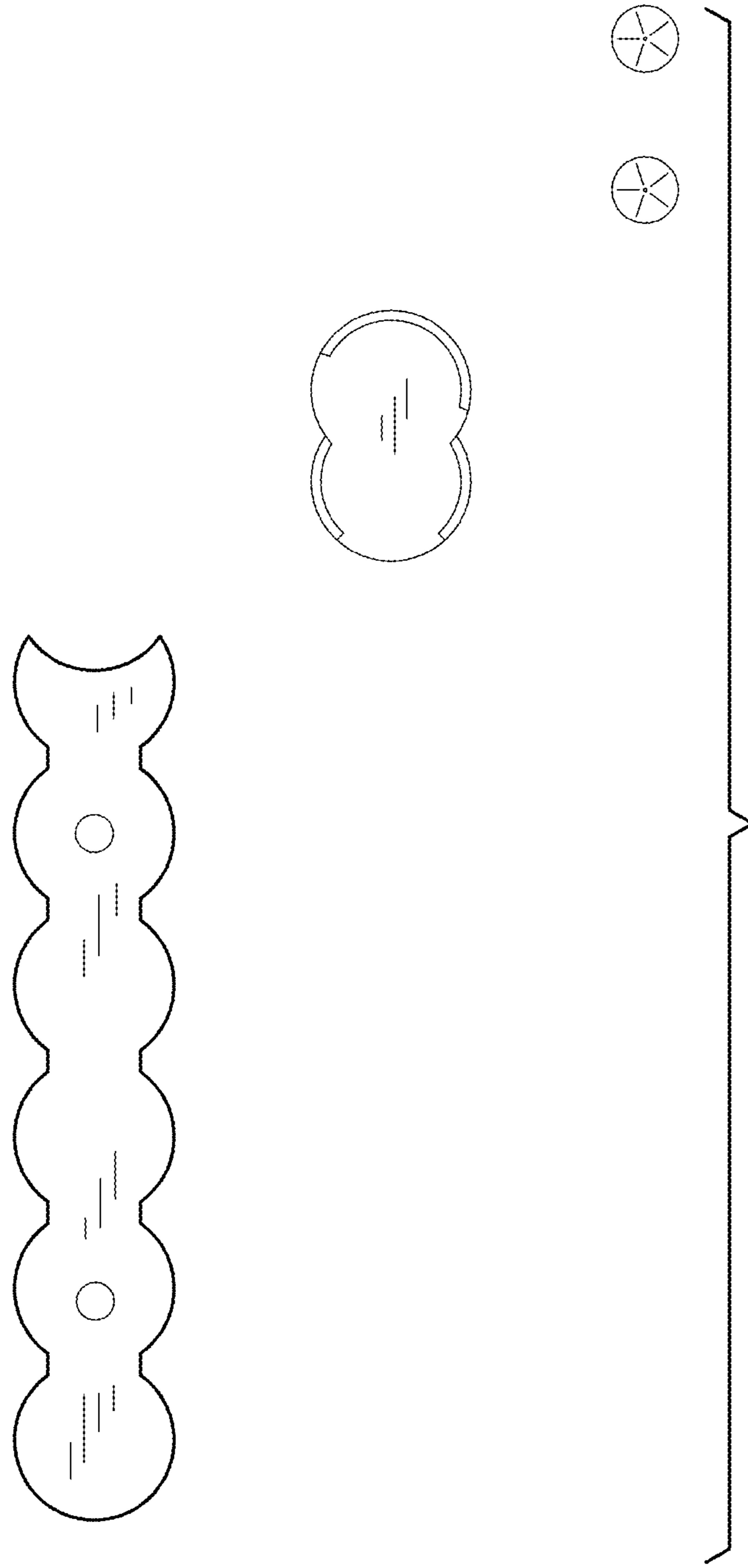


FIG. 5

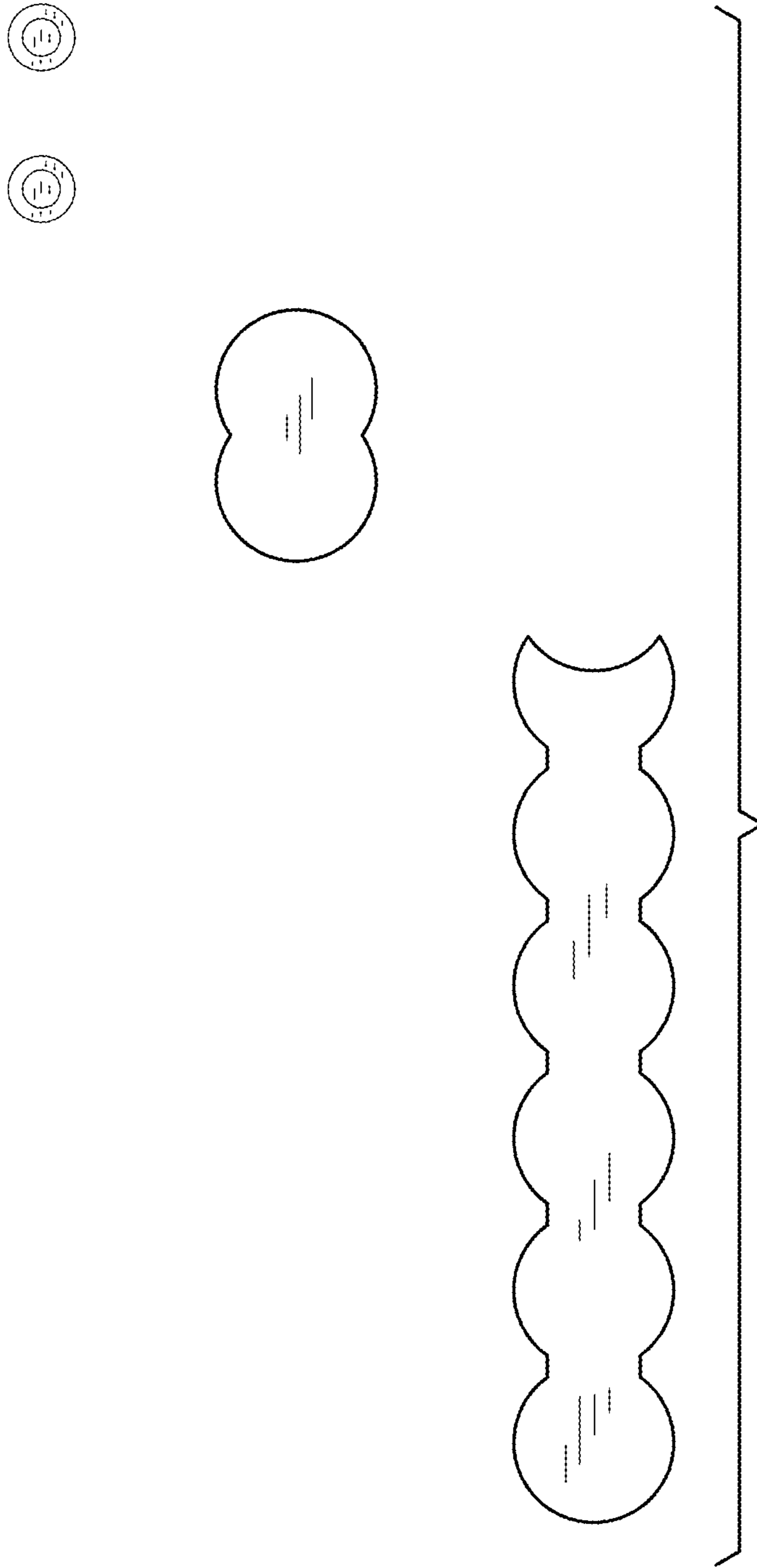
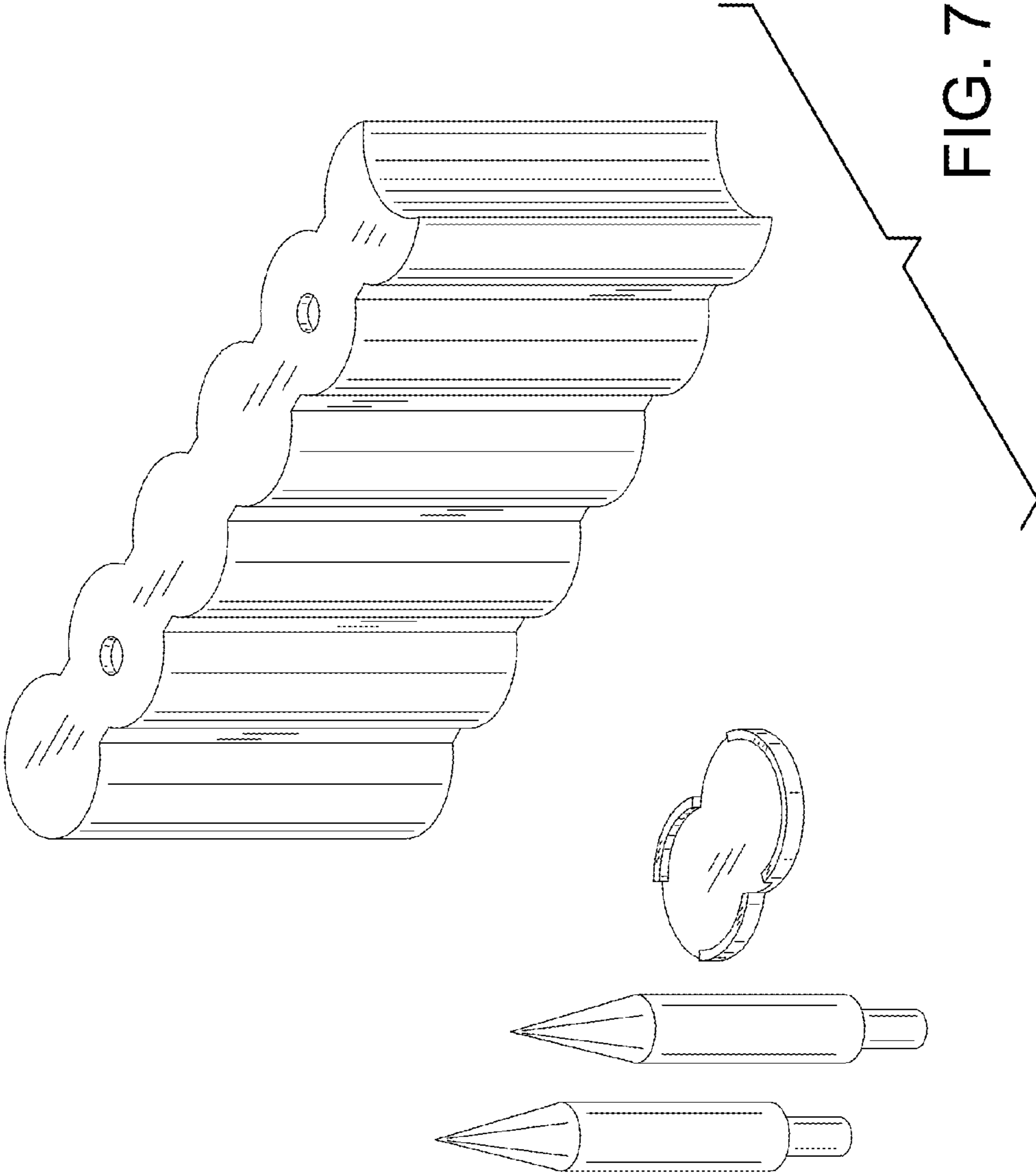
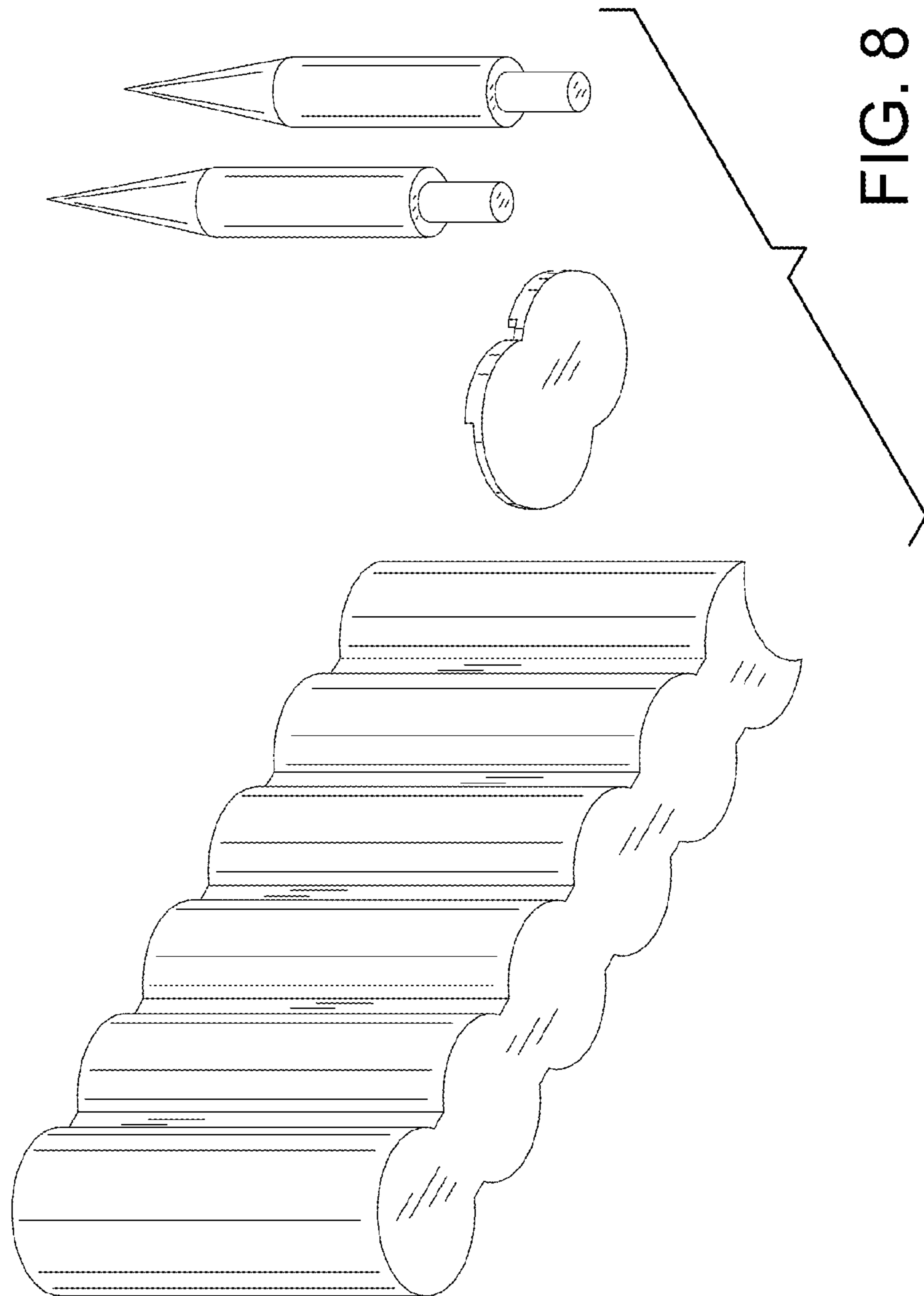


FIG. 6







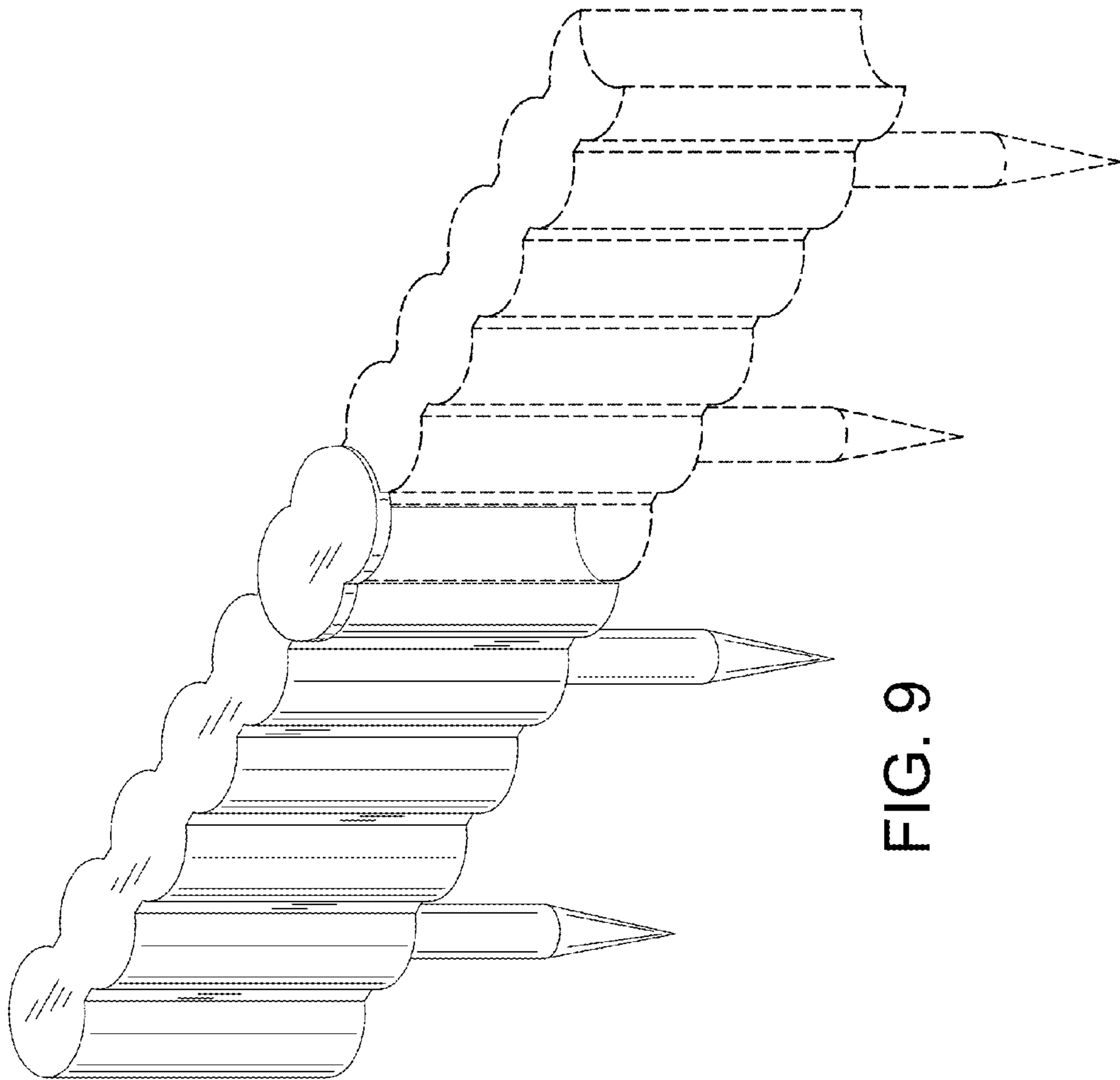


FIG. 9