



US00D753963S

(12) **United States Design Patent**
Wong

(10) **Patent No.:** **US D753,963 S**
(45) **Date of Patent:** **** Apr. 19, 2016**

(54) **MEAT TENDERIZER**
(71) Applicant: **Yan Kwong Wong**, Hong Kong (HK)
(72) Inventor: **Yan Kwong Wong**, Hong Kong (HK)
(**) Term: **14 Years**
(21) Appl. No.: **29/499,900**
(22) Filed: **Aug. 20, 2014**

2,445,872 A * 7/1948 Burkett A22C 9/008
452/146
D291,762 S * 9/1987 Collins, Sr. D7/682
D347,367 S * 5/1994 Li D7/682
5,593,346 A * 1/1997 Washington A22C 9/00
452/146
D506,905 S * 7/2005 Lee D7/682
D575,119 S * 8/2008 Peterson D7/682
7,862,408 B1 * 1/2011 Weinstein A22C 9/007
452/102

* cited by examiner

Primary Examiner — Terry Wallace

(30) **Foreign Application Priority Data**
Apr. 4, 2014 (HK) 1400609
(51) **LOC (10) Cl.** **07-04**
(52) **U.S. Cl.**
USPC **D7/682**
(58) **Field of Classification Search**
USPC D7/680–696; D8/14, 75, 105
CPC A22C 9/00; A22C 9/007; A22C 9/008;
A47J 19/04; A47J 19/00
See application file for complete search history.

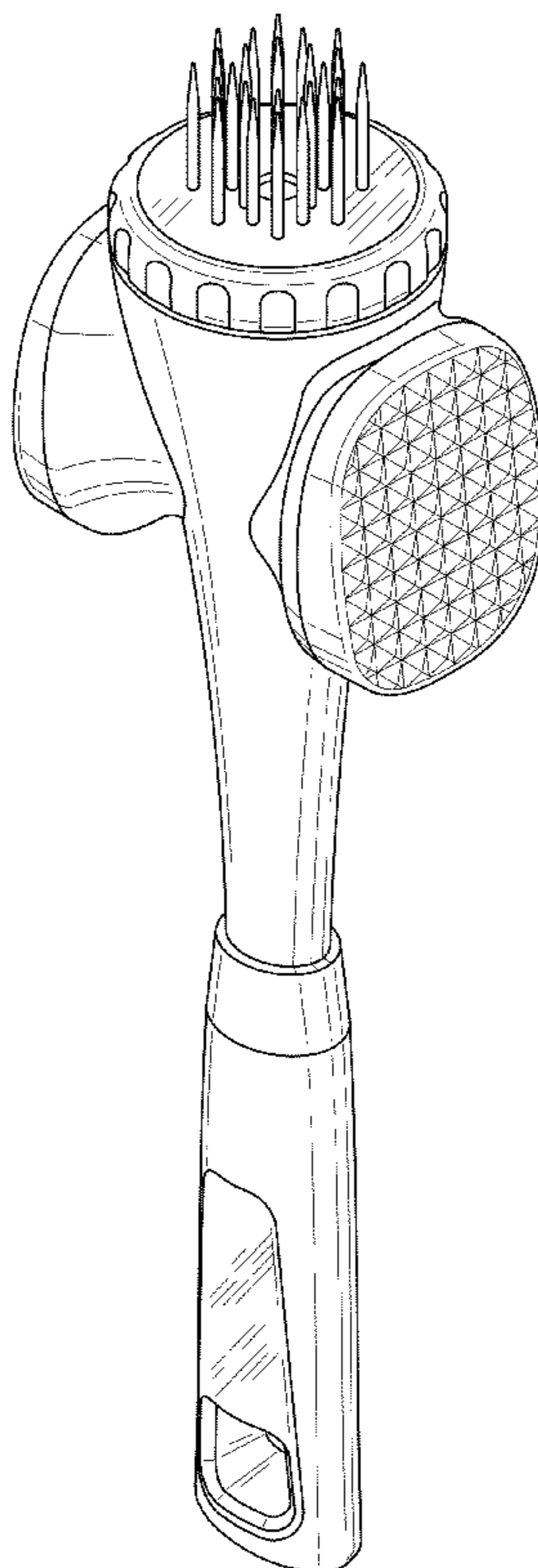
(57) **CLAIM**
The ornamental design for a meat tenderizer, as shown and described.

DESCRIPTION

FIG. 1 is a front elevational view of a meat tenderizer showing my new design;
FIG. 2 is a rear elevational view thereof;
FIG. 3 is a left side view thereof;
FIG. 4 is a right side view thereof;
FIG. 5 is a top plan view thereof;
FIG. 6 is a bottom plan view thereof;
FIG. 7 is a first perspective view thereof; and,
FIG. 8 is a second perspective view thereof.

(56) **References Cited**
U.S. PATENT DOCUMENTS
198,459 A * 12/1877 Hill et al. A22C 9/008
452/146
1,996,949 A * 4/1935 Bosworth A22C 9/007
452/146

1 Claim, 8 Drawing Sheets



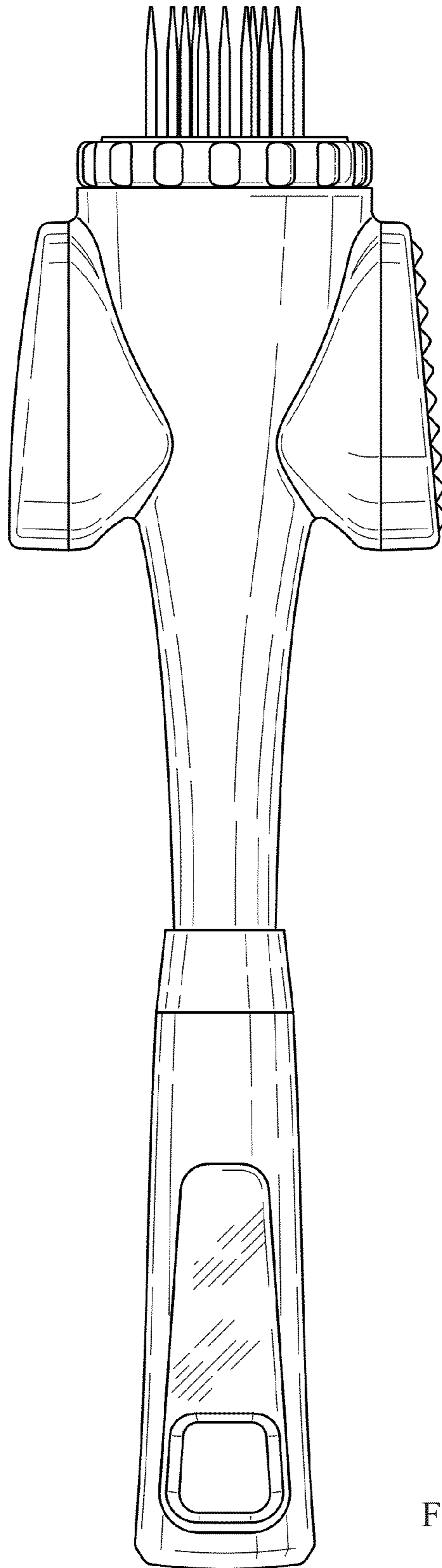


Fig. 1

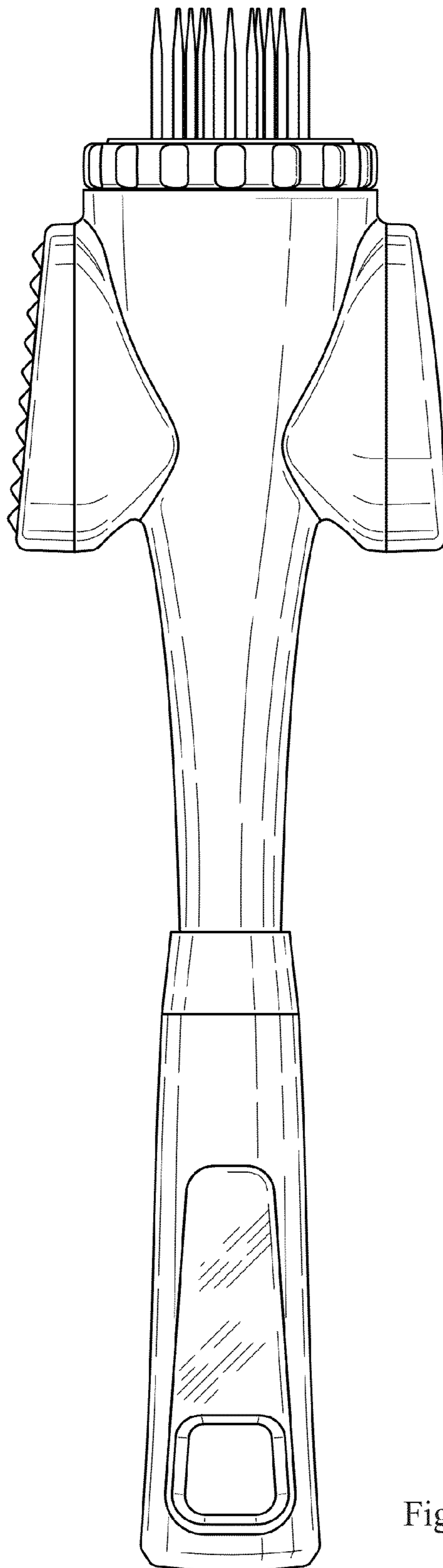


Fig. 2

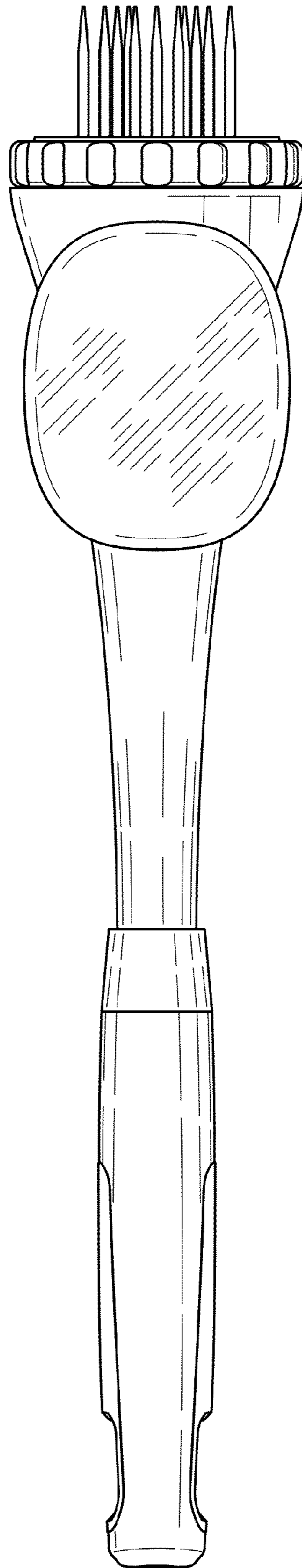


Fig. 3

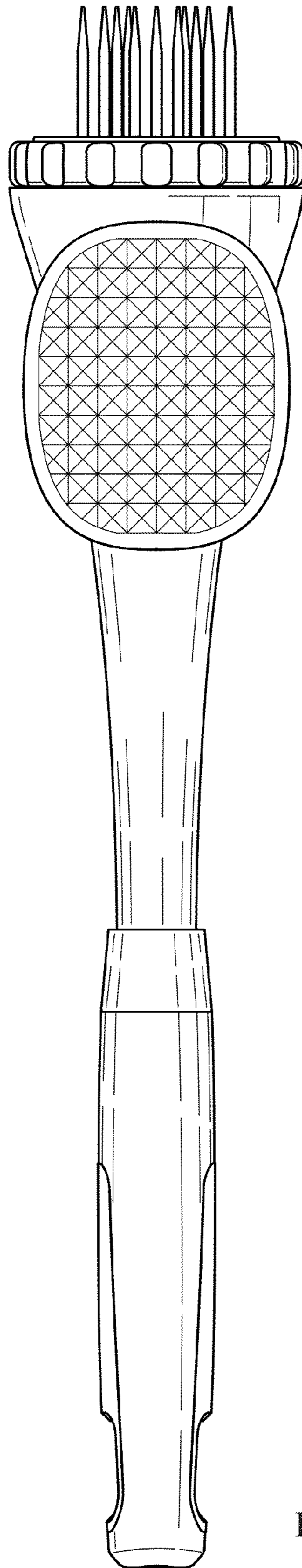


Fig. 4

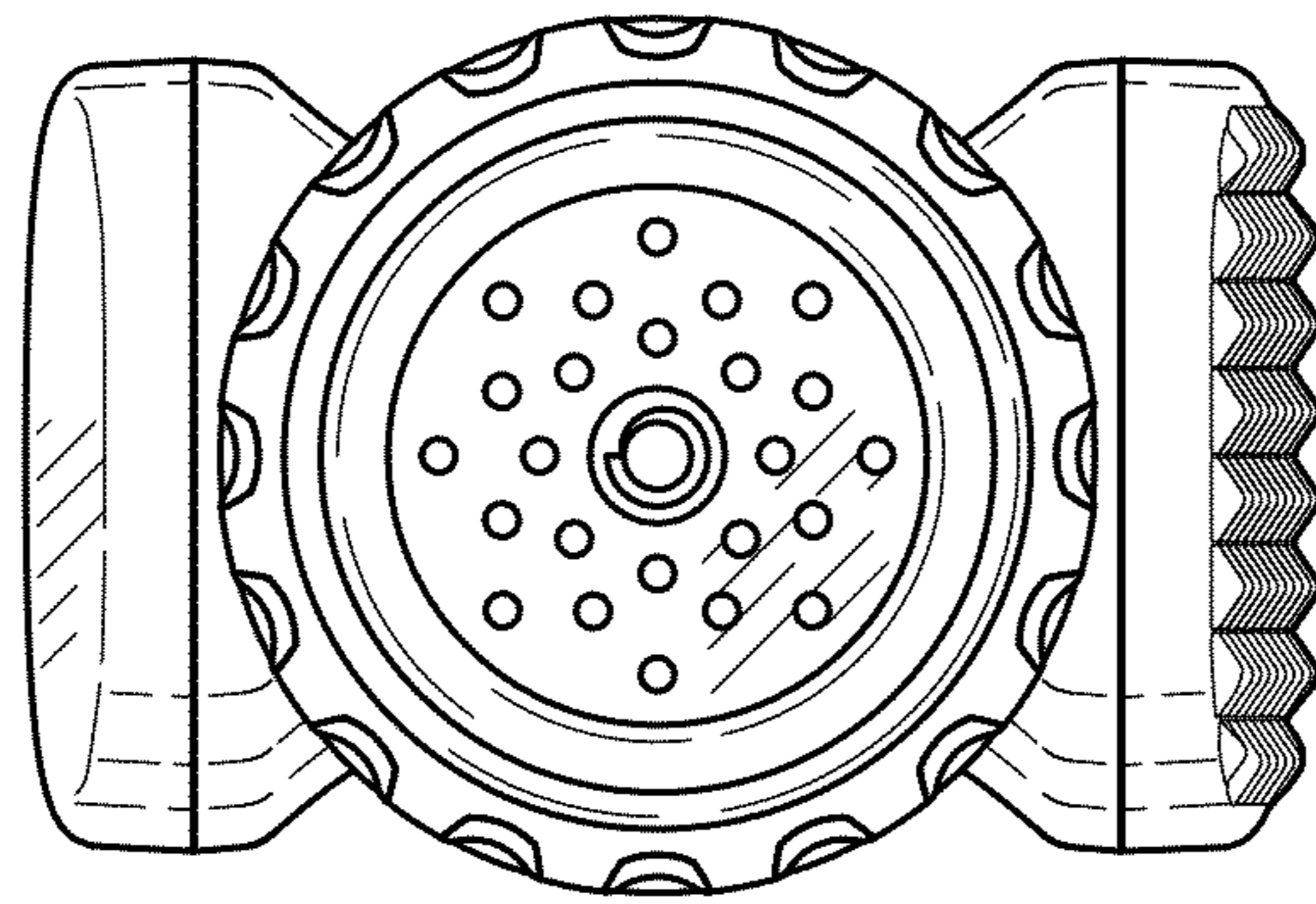


Fig. 5

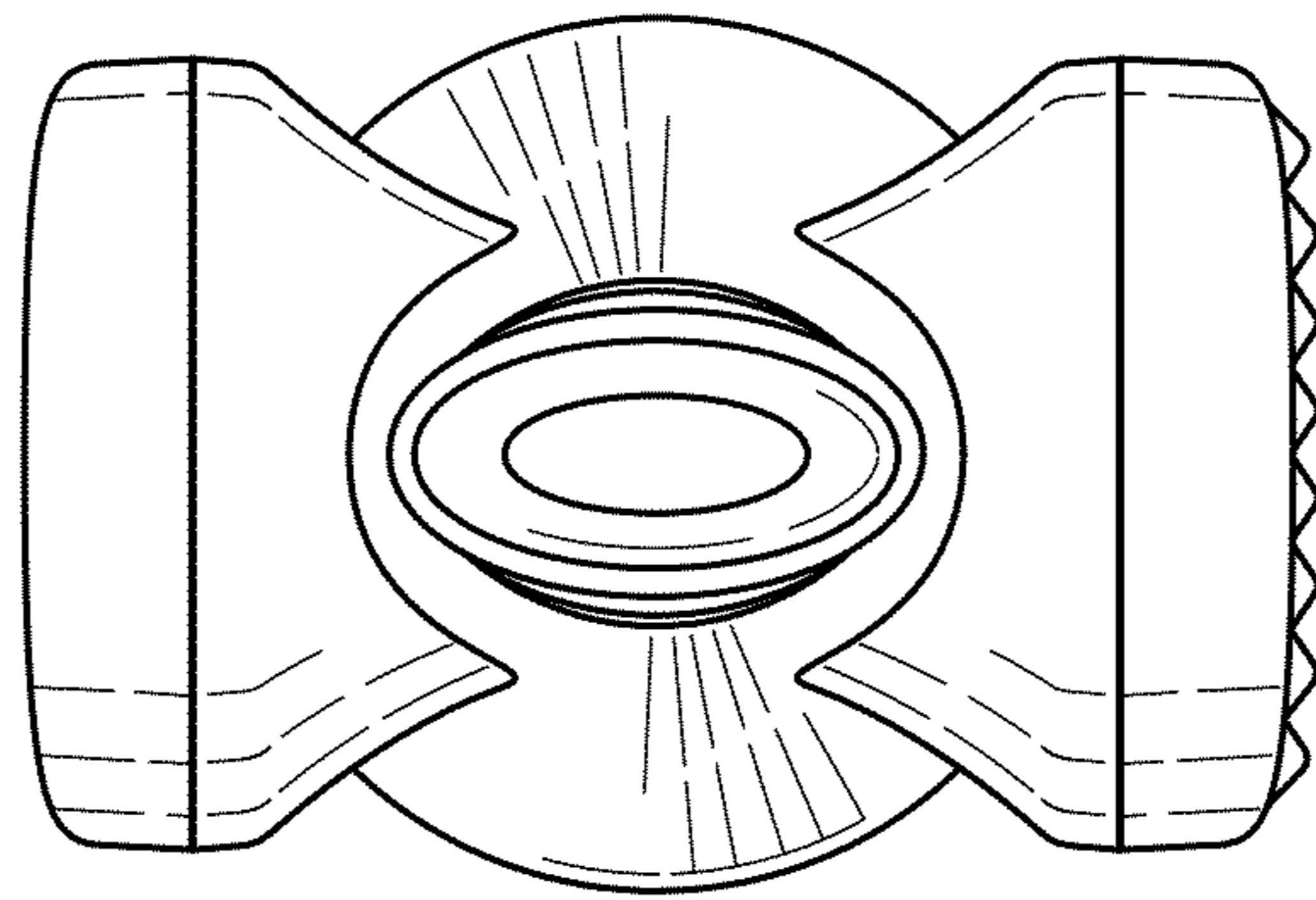


Fig. 6

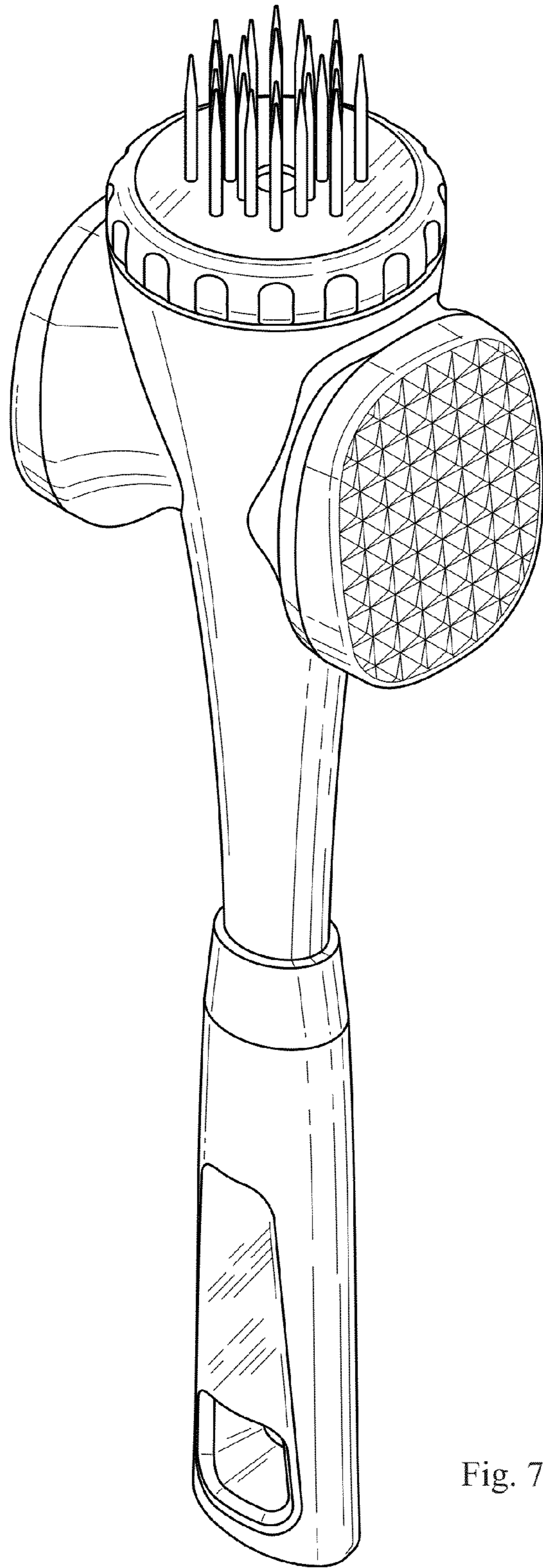


Fig. 7



Fig. 8