



US00D753962S

(12) **United States Design Patent**
Cornu et al.

(10) **Patent No.:** **US D753,962 S**
(45) **Date of Patent:** **** *Apr. 19, 2016**

- (54) **SALAD SPINNER**
- (71) Applicant: **Dart Industries Inc.**, Orlando, FL (US)
- (72) Inventors: **Judicaël Cornu**, Schaerbeek (BE); **Kris Schoukens**, Zwevegem (BE)
- (73) Assignee: **Dart Industries Inc.**, Orlando, FL (US)
- (*) Notice: This patent is subject to a terminal disclaimer.
- (**) Term: **14 Years**
- (21) Appl. No.: **29/474,790**
- (22) Filed: **Feb. 10, 2015**
- (51) **LOC (10) Cl.** **07-04**
- (52) **U.S. Cl.**
USPC **D7/665**
- (58) **Field of Classification Search**
USPC D7/665, 666, 400, 538-549, 586, 587
CPC F26B 5/08; A47J 43/24; A47J 47/005
See application file for complete search history.

- 5,064,535 A * 11/1991 Hsu A47J 47/005
210/380.1
- 5,562,025 A * 10/1996 Bull A47J 43/24
210/360.1
- 5,904,090 A * 5/1999 Lillelund F26B 5/08
210/360.1
- D411,720 S 6/1999 Lillelund et al.
- D538,604 S * 3/2007 de Groote D7/665
- D608,603 S * 1/2010 Hauser D7/665
- D672,211 S * 12/2012 Nie D7/665

* cited by examiner

Primary Examiner — Terry Wallace

(74) *Attorney, Agent, or Firm* — Taylor J. Ross

(57) **CLAIM**

The ornamental design for a salad spinner, as shown and described.

DESCRIPTION

FIG. 1 is a top, right side and rear perspective view of a salad spinner showing our new design; FIG. 2 is a top plan view thereof; FIG. 3 is a bottom plan view thereof; FIG. 4 is a rear elevation view thereof; FIG. 5 is a front elevation view thereof; and, FIG. 6 is a left side elevation view, the right side being a mirror image thereof.

1 Claim, 6 Drawing Sheets

- (56) **References Cited**
U.S. PATENT DOCUMENTS
3,885,321 A * 5/1975 Fouineteau A47J 43/24
210/360.1
4,209,916 A * 7/1980 Doyel A47J 43/24
210/360.1

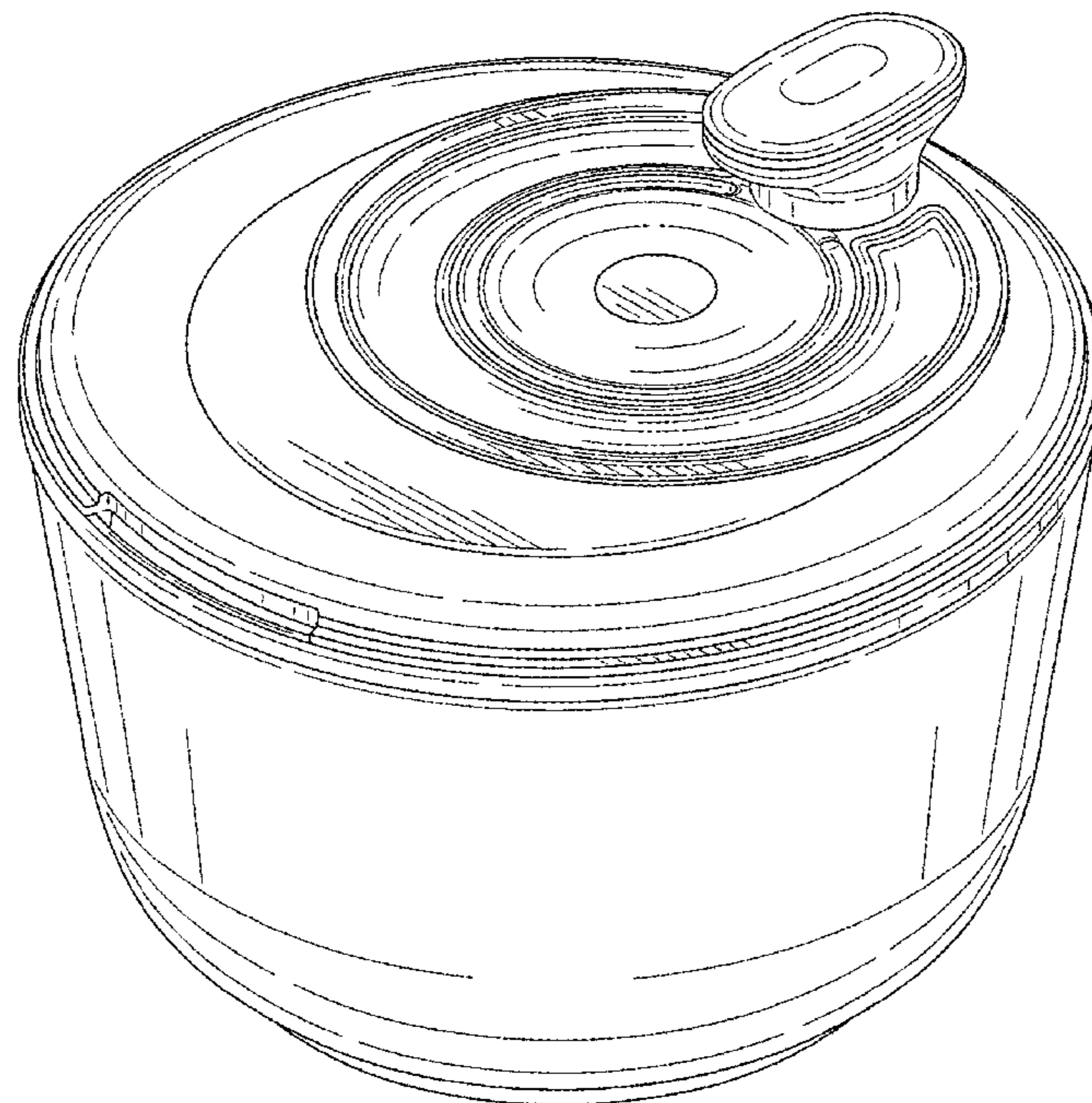




FIG. 1

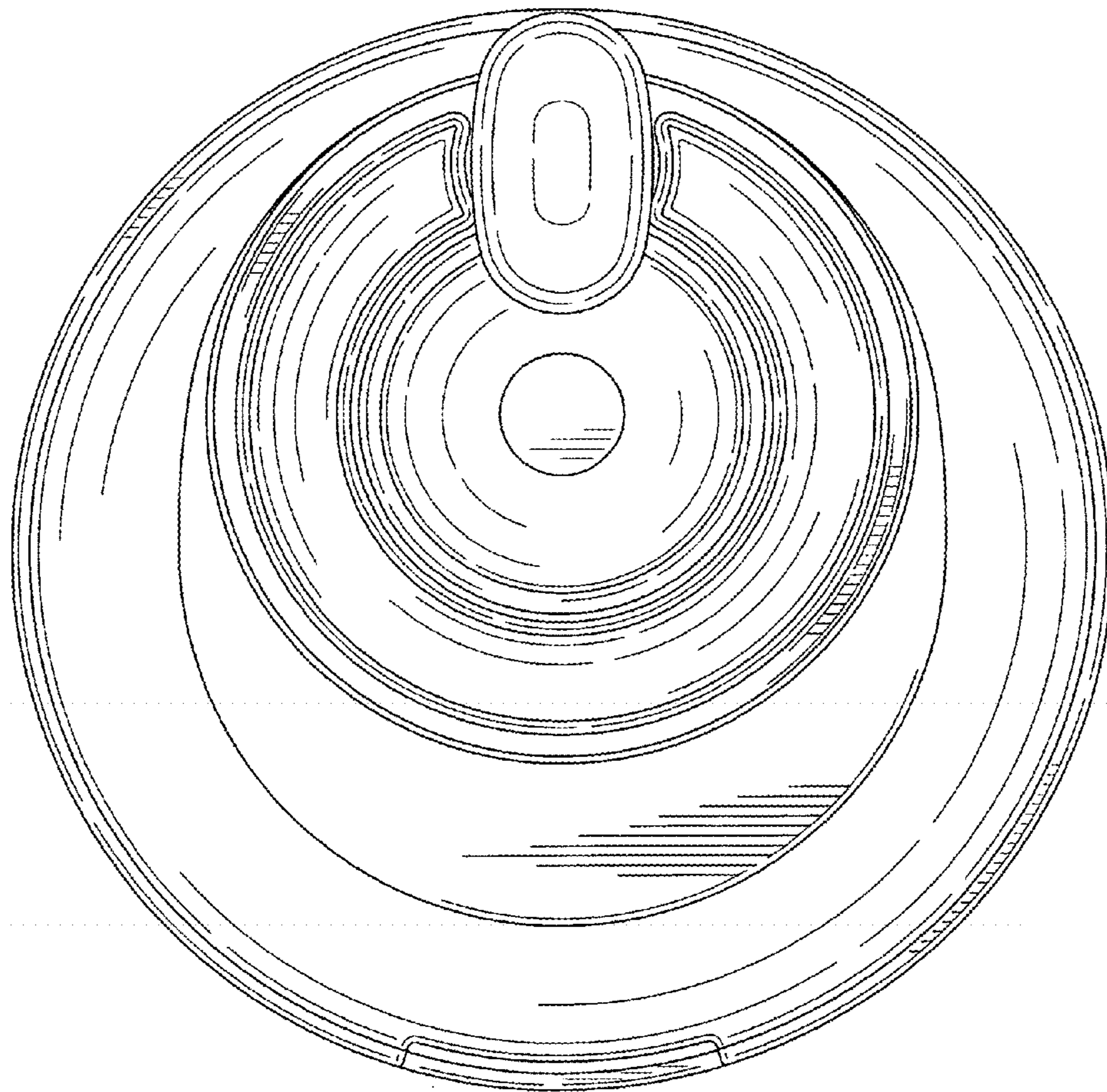


FIG. 2

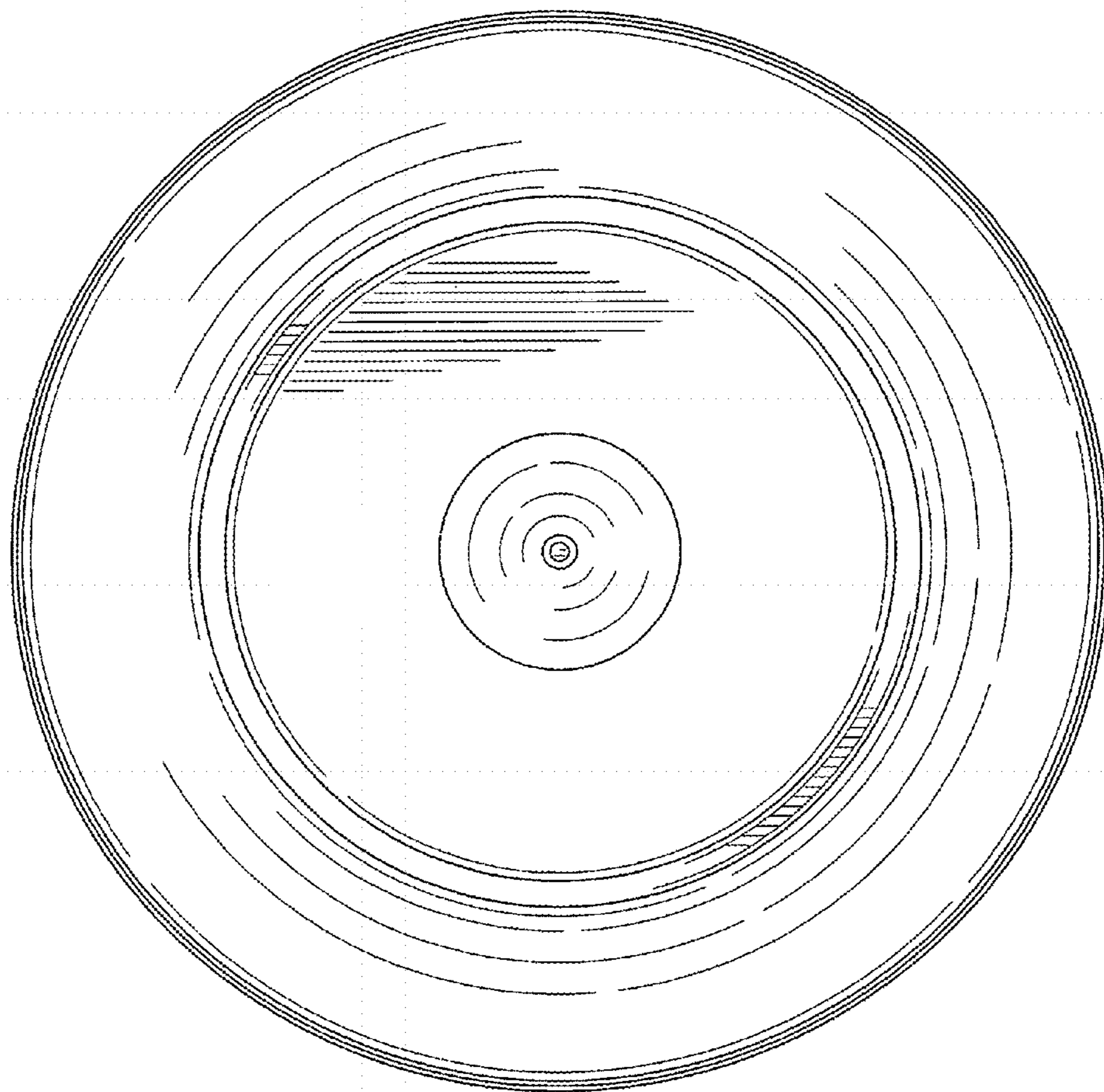


FIG. 3

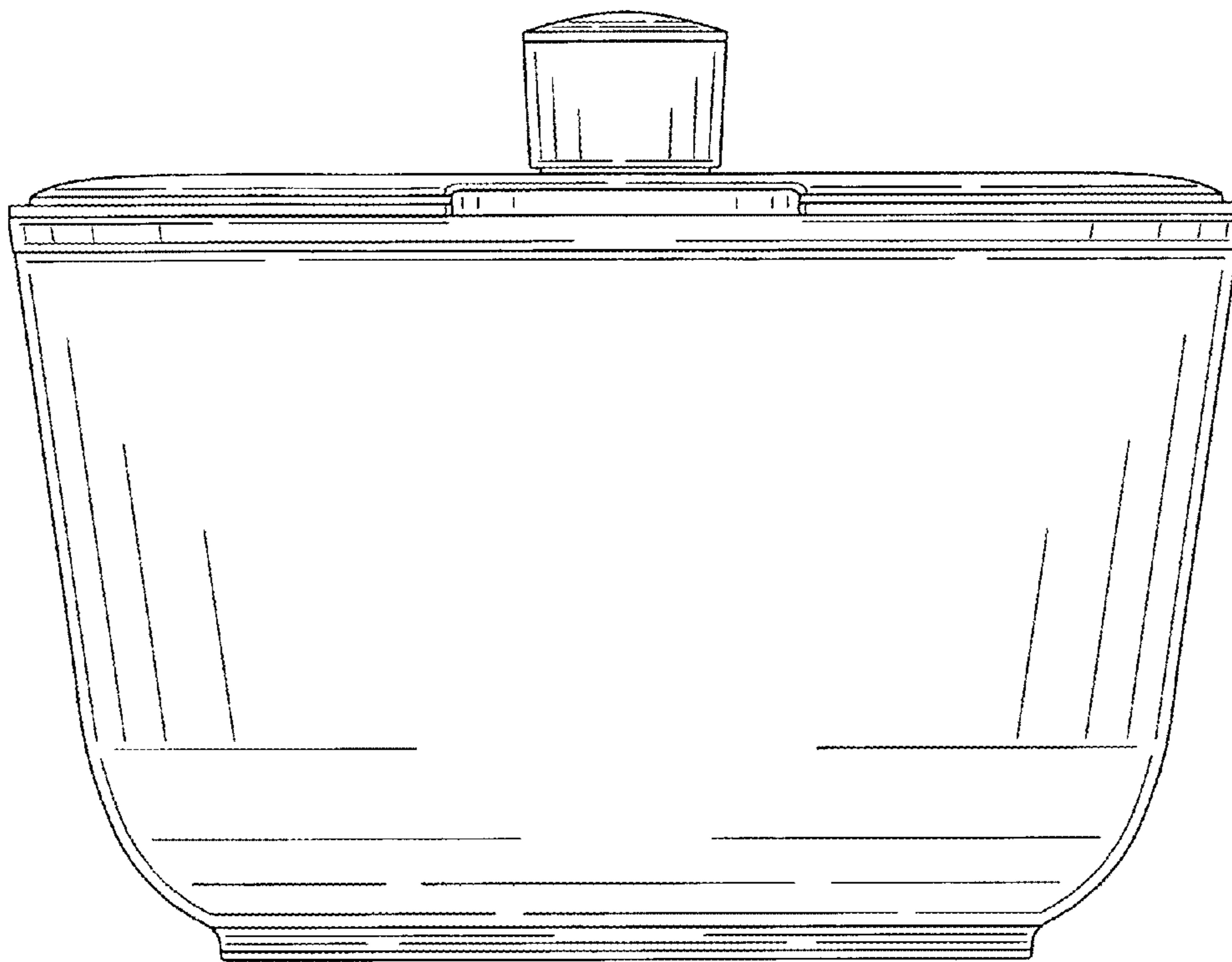


FIG. 4

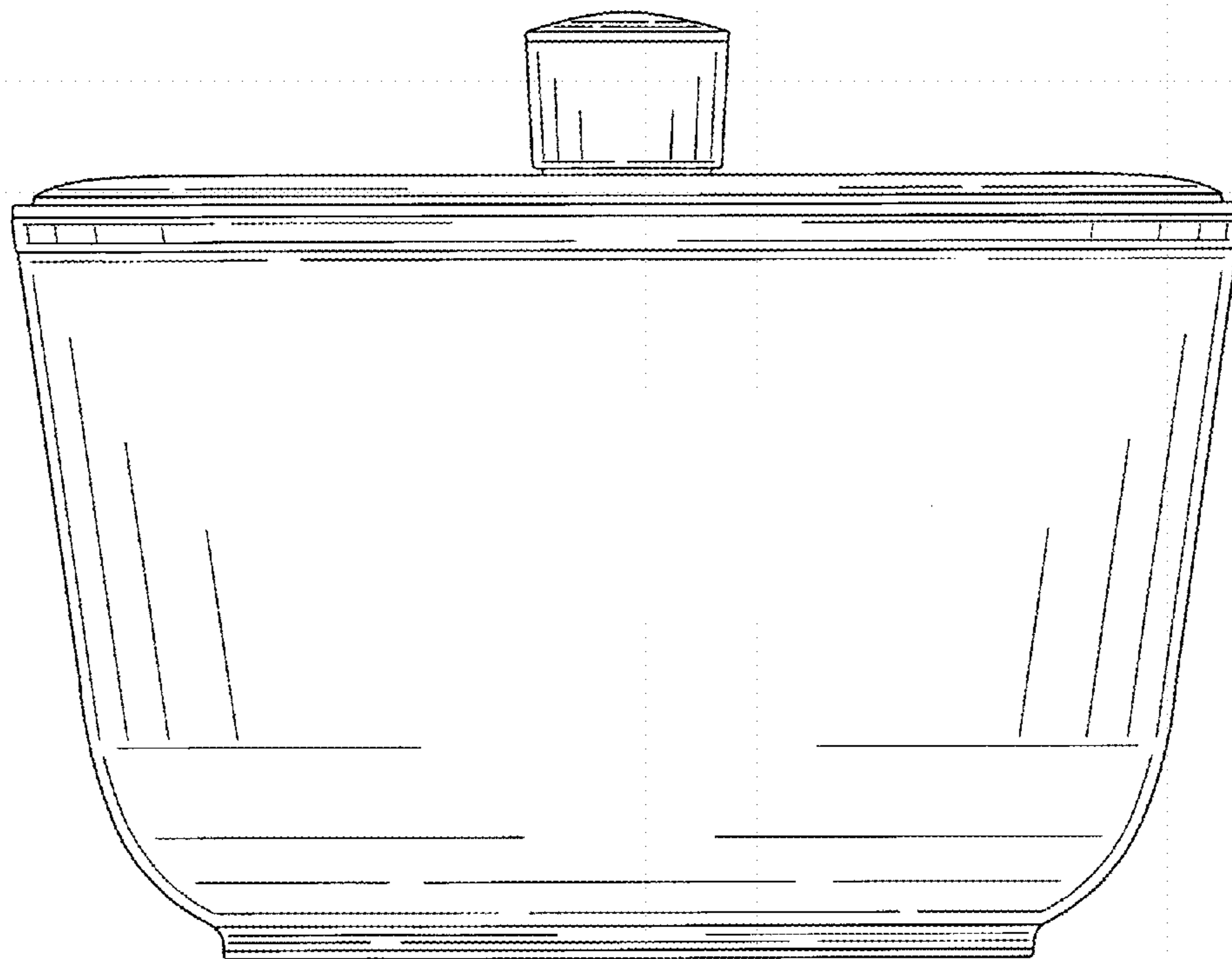


FIG. 5

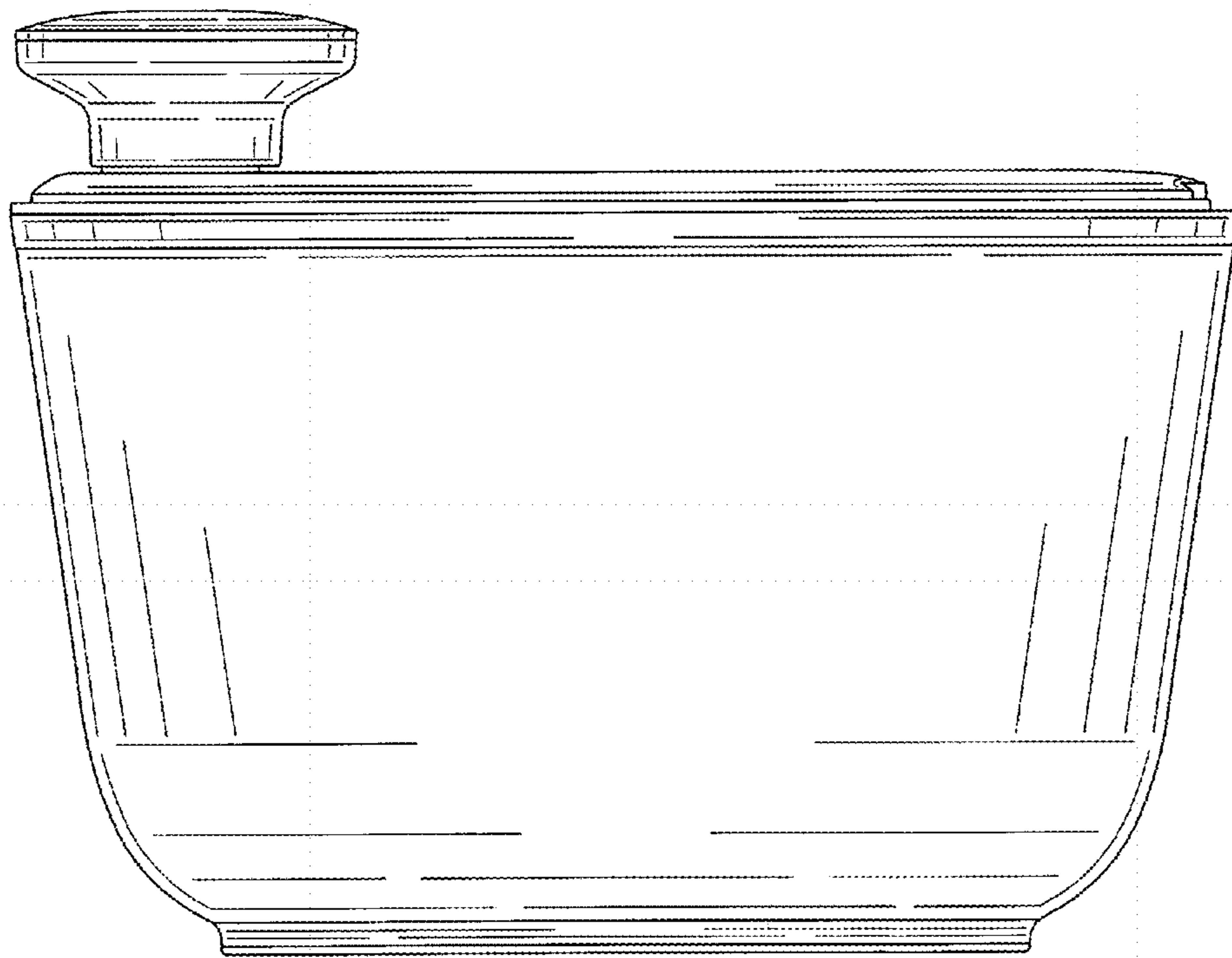


FIG. 6