



US00D753959S

(12) **United States Design Patent**  
**Bremer**

(10) **Patent No.:** **US D753,959 S**  
(45) **Date of Patent:** **\*\* Apr. 19, 2016**

(54) **EXTENDING ANTLER CUP SLEEVE**

(71) Applicant: **Lori Bremer**, Fayetteville, AR (US)

(72) Inventor: **Lori Bremer**, Fayetteville, AR (US)

(\*\*) Term: **14 Years**

(21) Appl. No.: **29/500,776**

(22) Filed: **Aug. 28, 2014**

(51) **LOC (10) Cl.** ..... **07-06**

(52) **U.S. Cl.**  
USPC ..... **D7/625**

(58) **Field of Classification Search**  
USPC ..... D7/619.1-625, 701-708, 514, 516;  
D9/455  
CPC ..... A47G 19/2227; A47G 23/02; A47G  
23/0208; A47G 23/0216; A47G 23/0266;  
B65D 25/2847; B65D 81/3876; B65D 81/3886  
See application file for complete search history.

(56) **References Cited**

**U.S. PATENT DOCUMENTS**

D480,609 S \* 10/2003 Hicks ..... D7/625  
D482,935 S \* 12/2003 Yamane ..... D7/625  
7,651,005 B2 \* 1/2010 Nguyen ..... A47G 19/2227  
215/11.1  
8,210,392 B2 \* 7/2012 Kang ..... B65D 25/2847  
220/737

D723,338 S \* 3/2015 Sanders ..... D7/619.2  
2013/0056483 A1 \* 3/2013 Dyess ..... B65D 81/3876  
220/739

\* cited by examiner

*Primary Examiner* — Terry Wallace

(74) *Attorney, Agent, or Firm* — Keisling & Pieper PLC;  
David B. Pieper

(57) **CLAIM**

The ornamental design for an extending antler cup sleeve, as shown and described.

**DESCRIPTION**

FIG. 1 is an isometric view of an extending antler cup sleeve showing my new design;  
FIG. 2 is a front view of the cover shown in FIG. 1;  
FIG. 3 is a left side view thereof;  
FIG. 4 is a top view thereof;  
FIG. 5 is a back view thereof;  
FIG. 6 is a bottom view thereof;  
FIG. 7 is a right side view thereof;  
FIG. 8 is an exploded environmental view thereof in relation to a cup; and,  
FIG. 9 is an assembled environmental view thereof showing the cup inserted into the sleeve.  
Portions of the drawings shown in broken lines for illustrative purposes only and form no part of the claimed design.

**1 Claim, 9 Drawing Sheets**

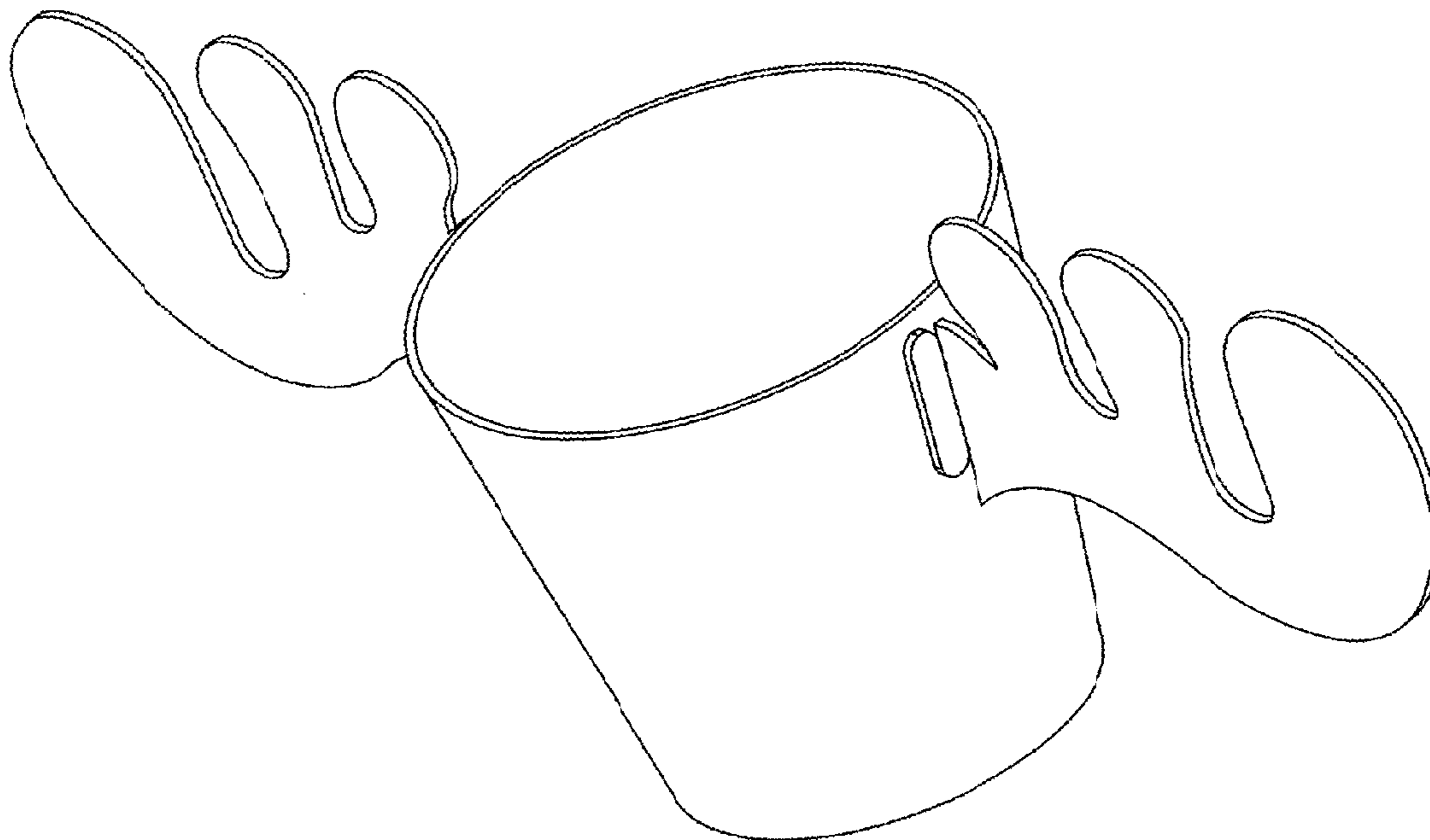




Figure 1

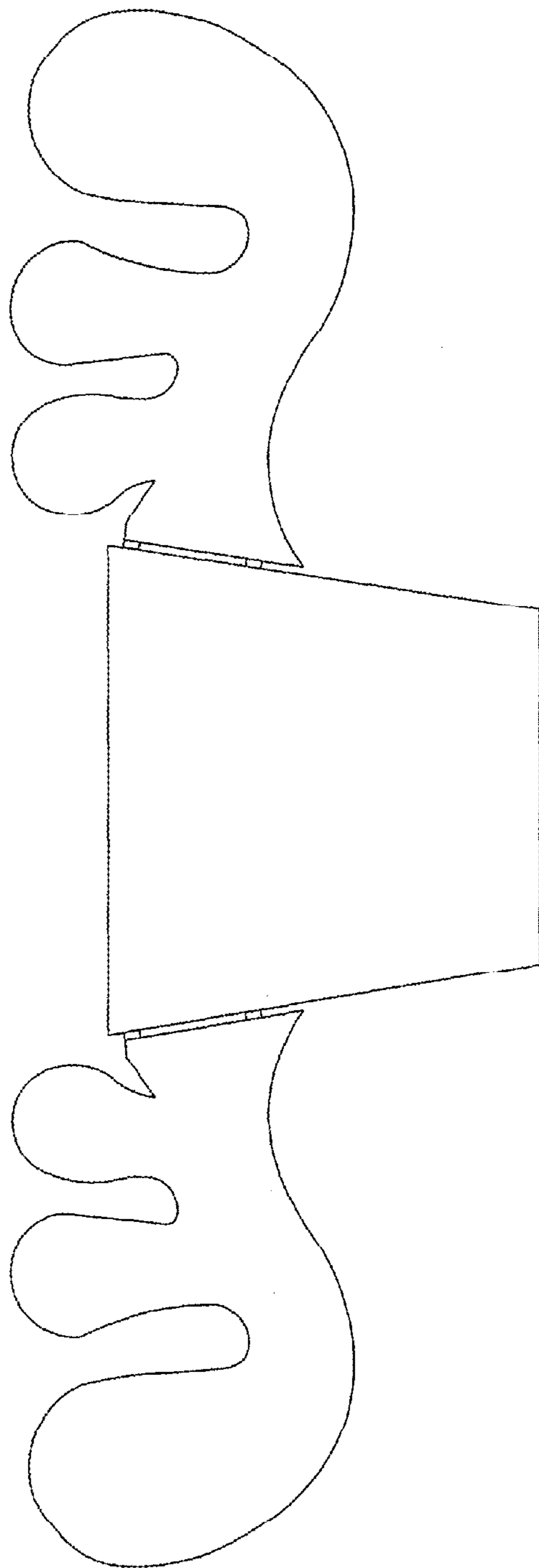


Figure 2

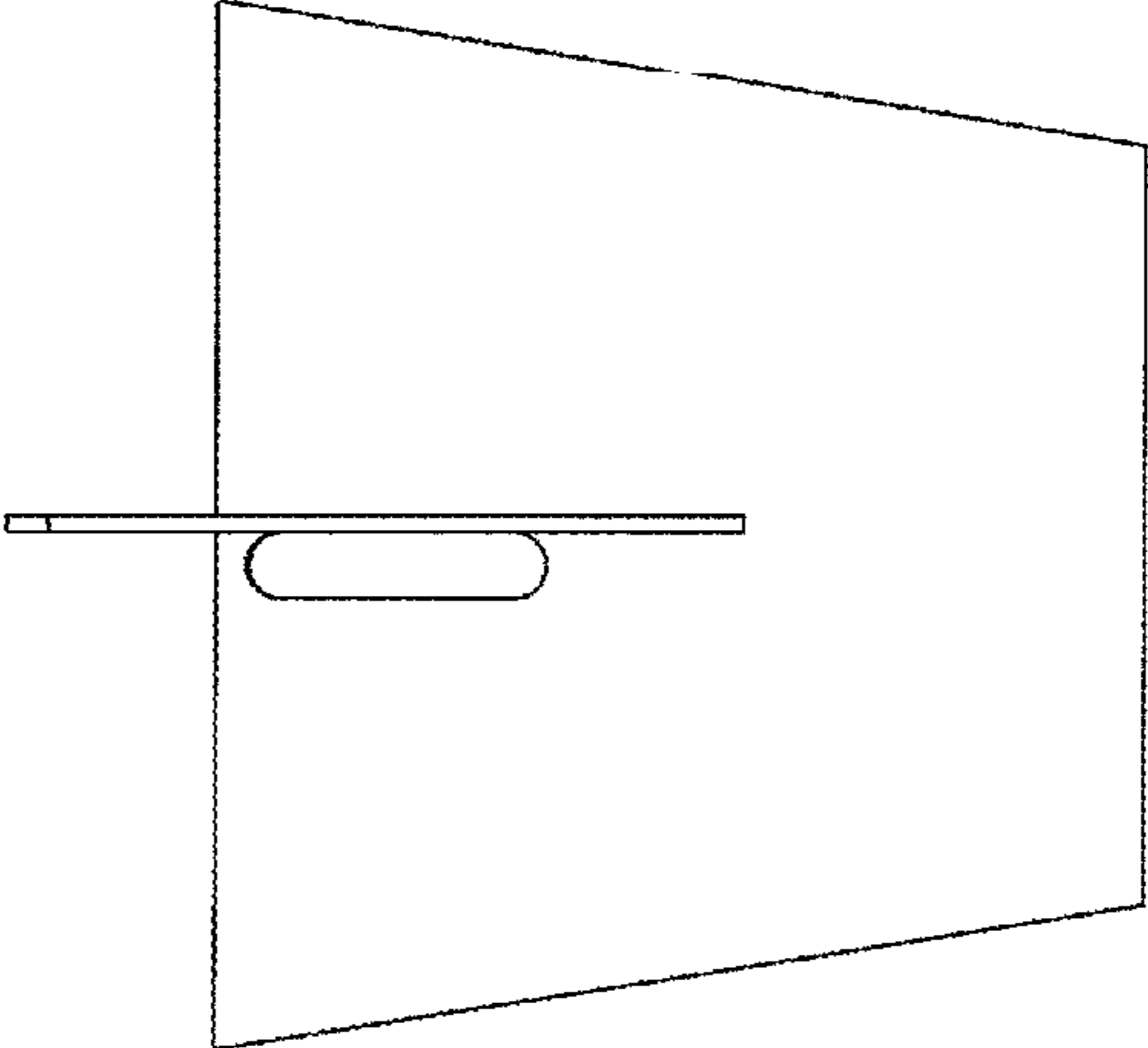


Figure 3

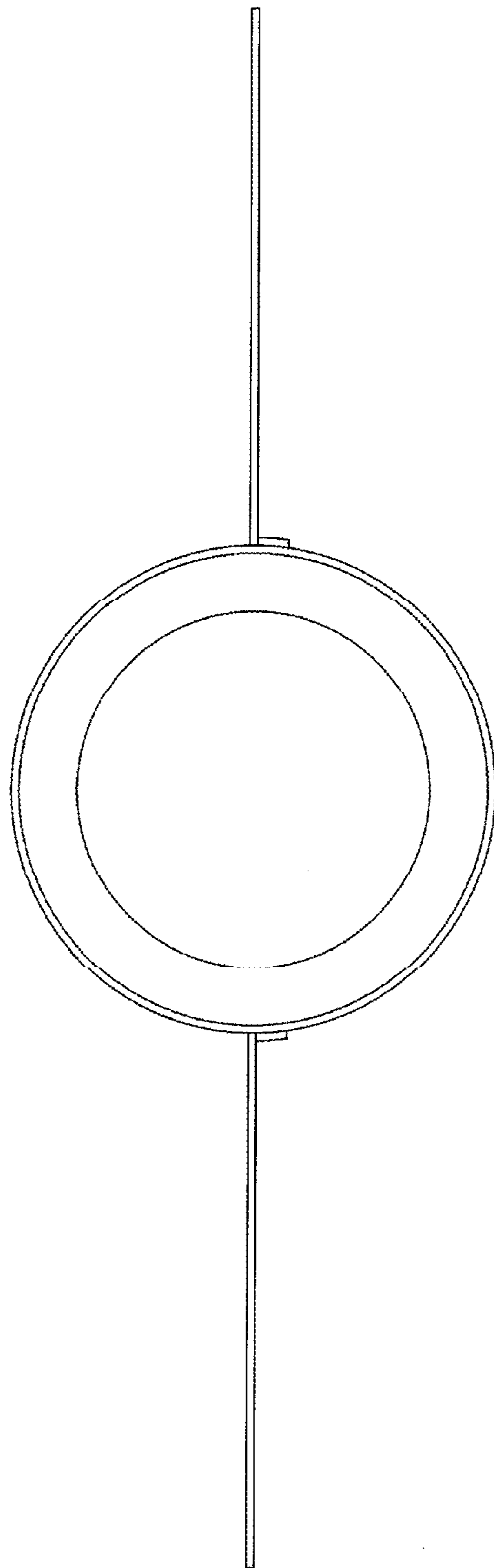


Figure 4

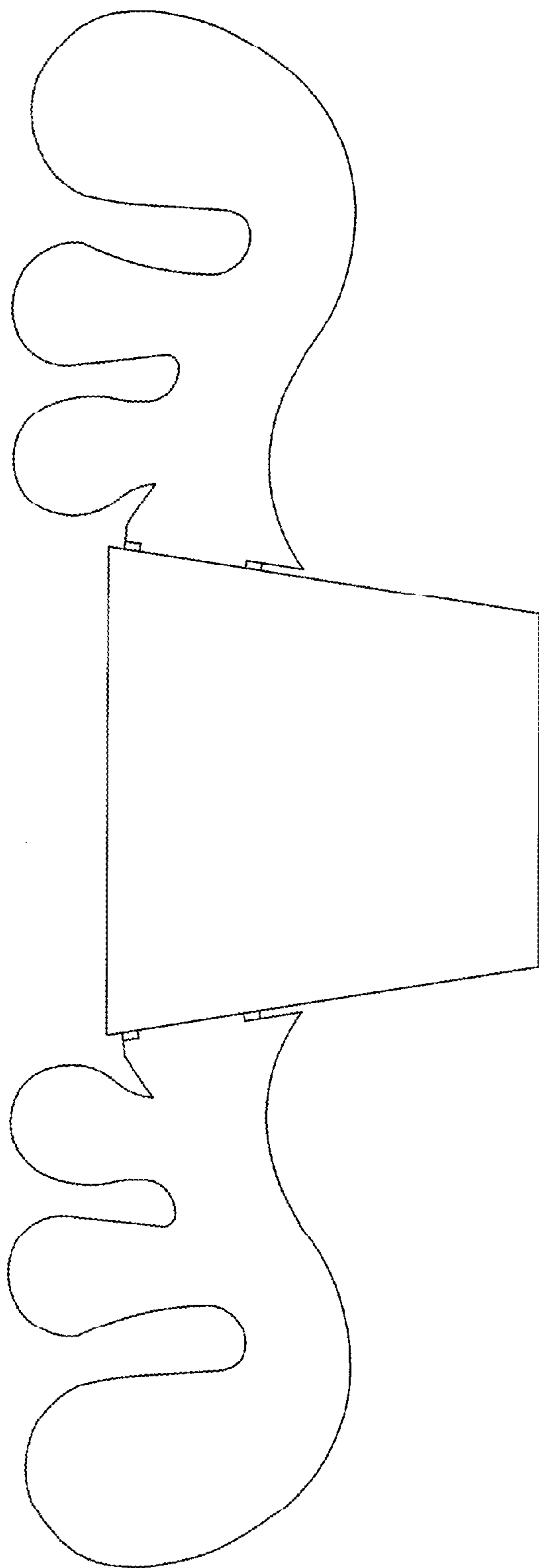


Figure 5

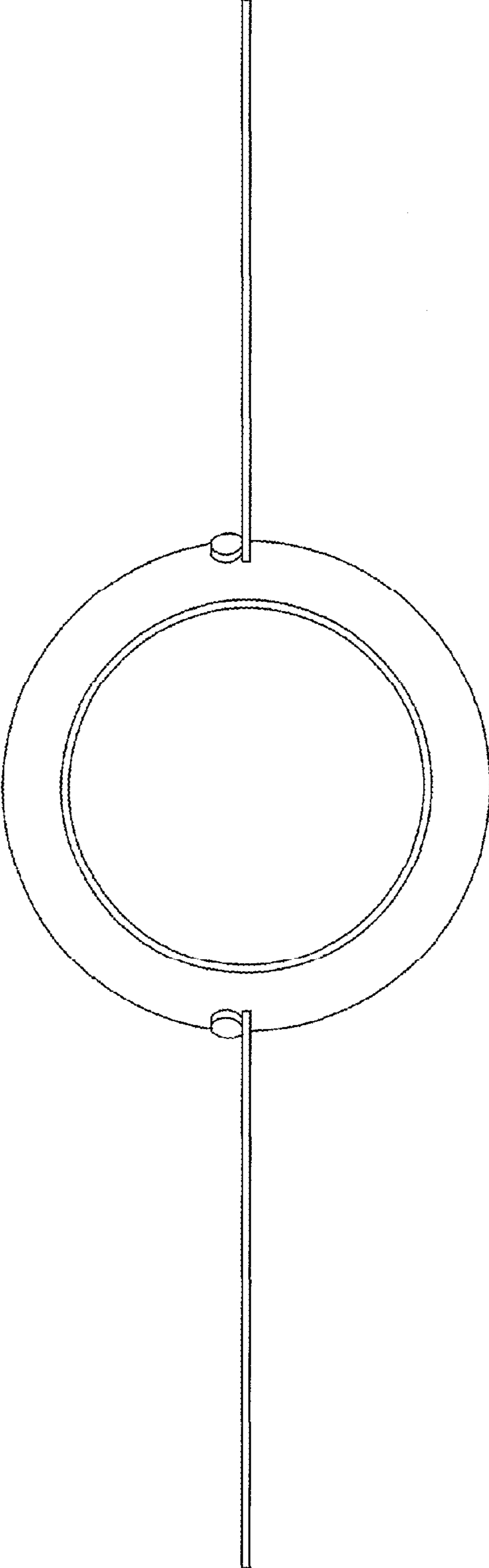


FIGURE 6

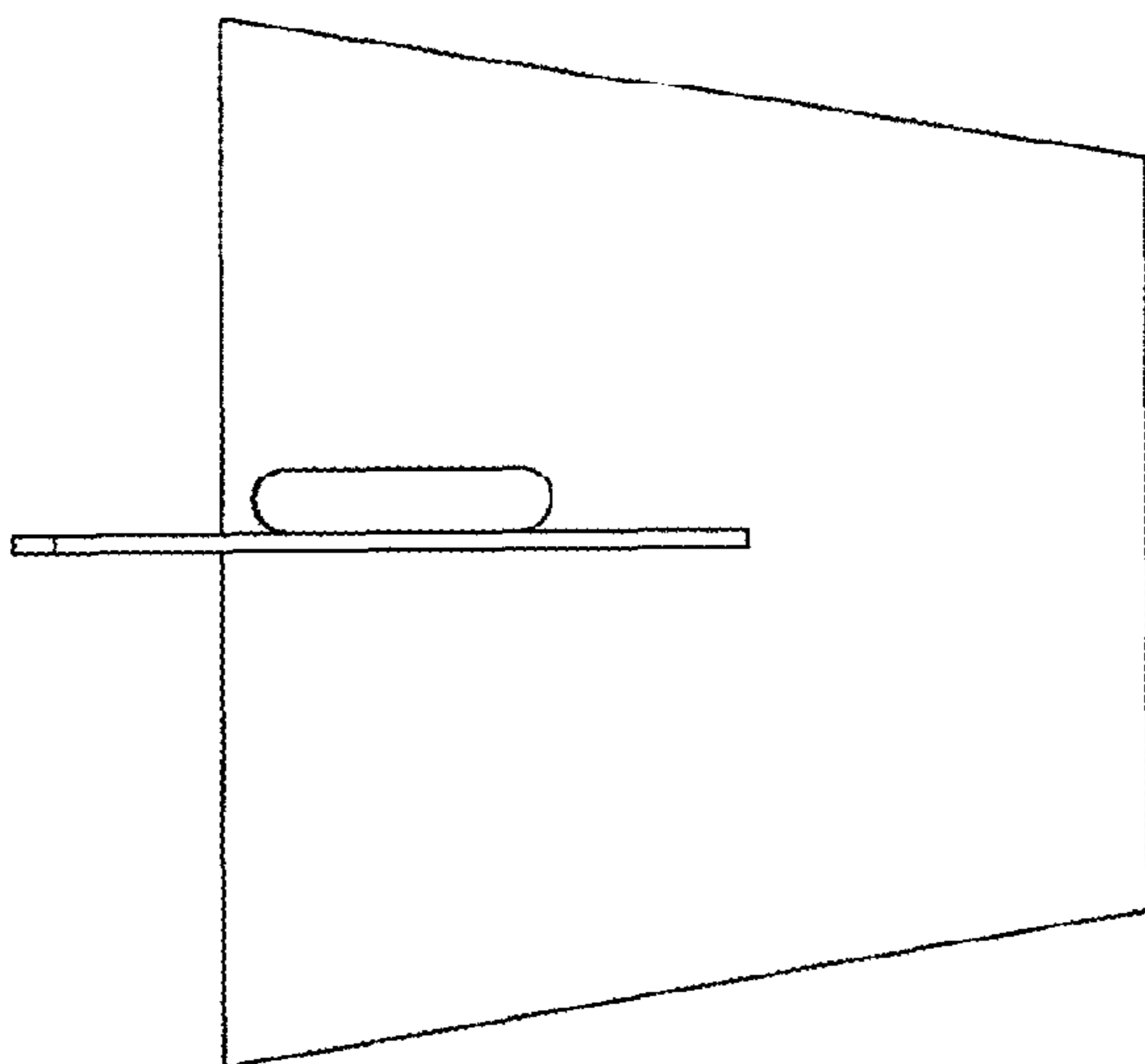


Figure 7



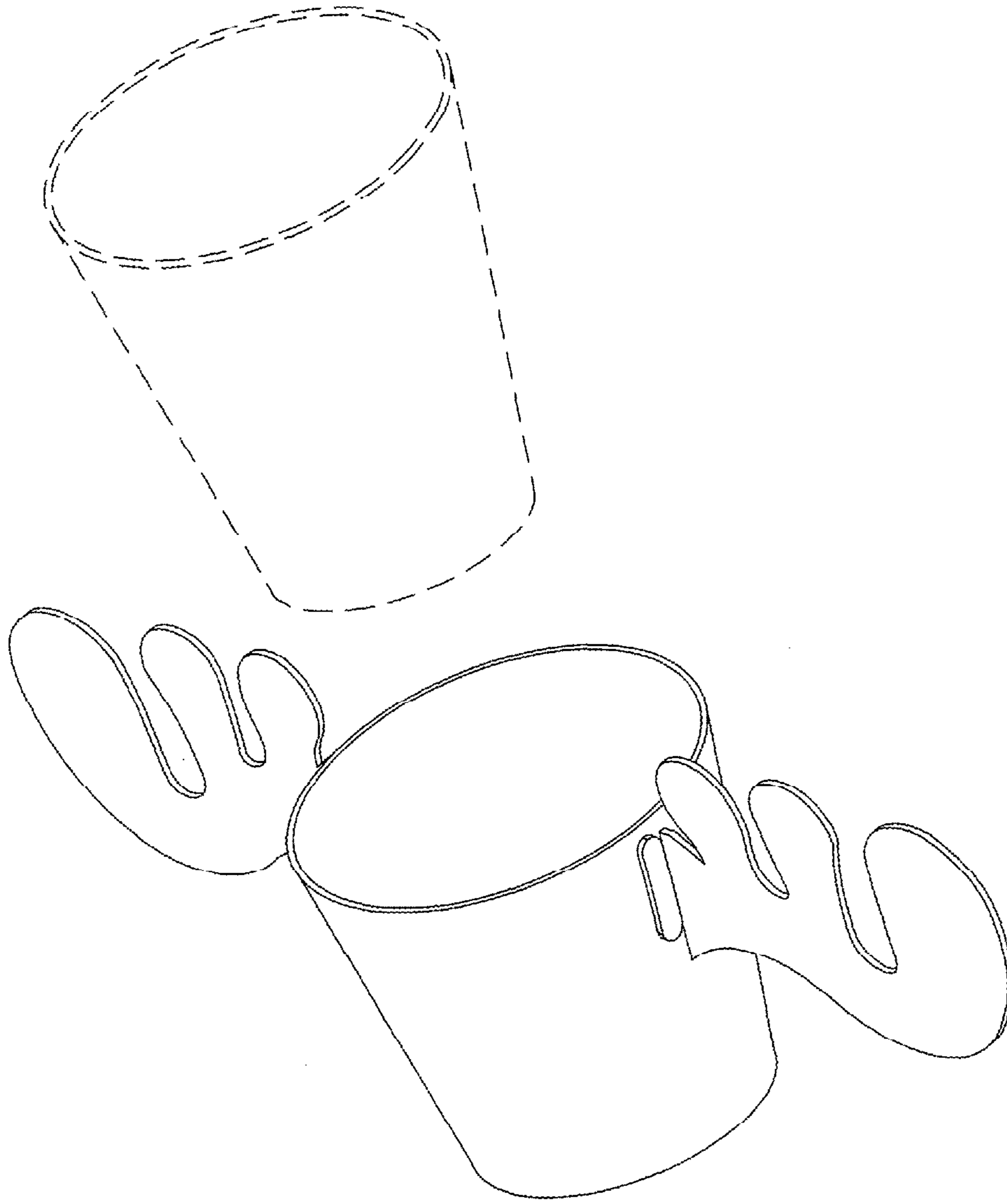


Figure 8

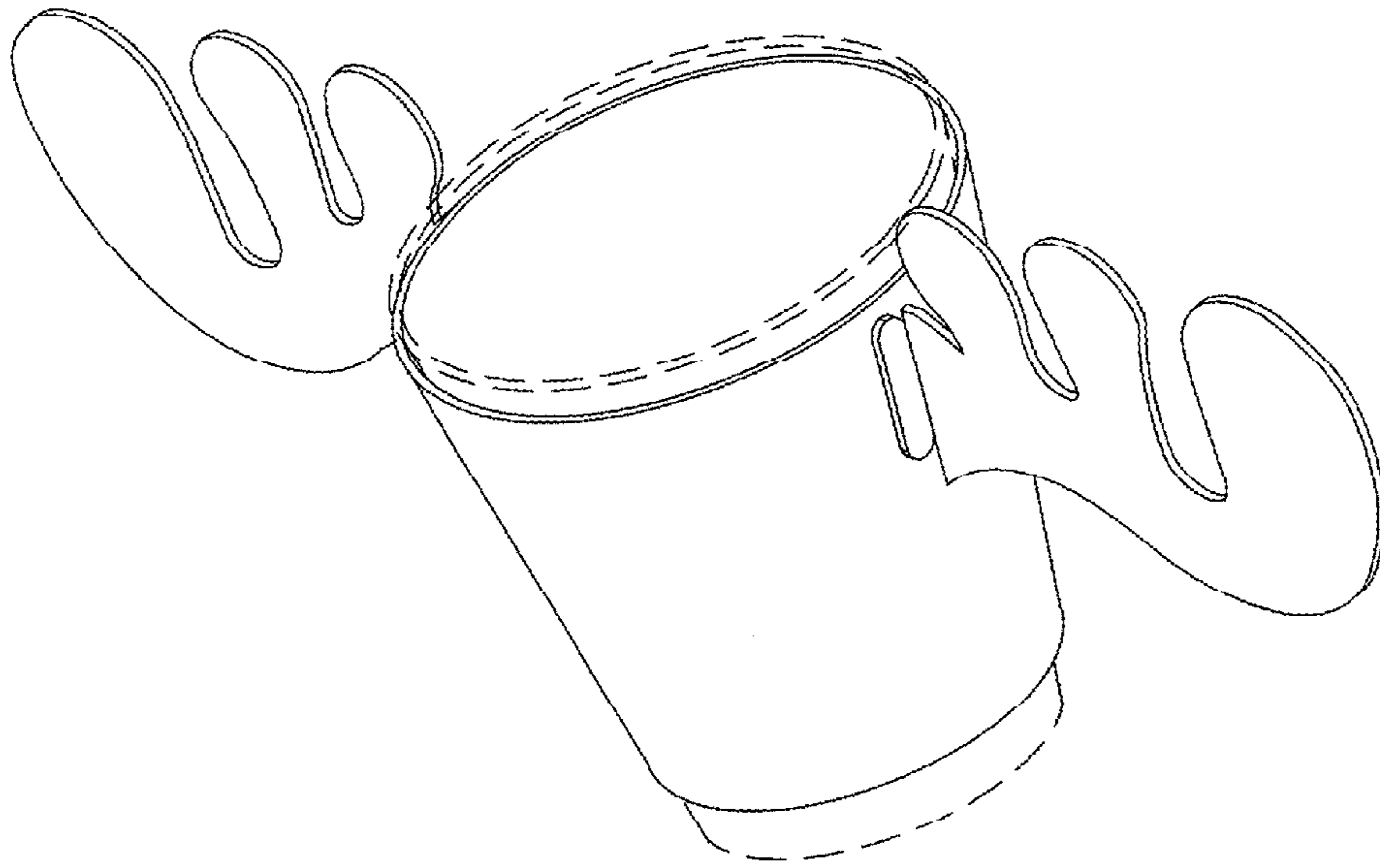


Figure 9