



US00D753958S

(12) **United States Design Patent**
Essenberg et al.

(10) **Patent No.:** **US D753,958 S**
(45) **Date of Patent:** **** Apr. 19, 2016**

- (54) **CUP SLEEVE**
- (71) Applicant: **I CARE COFFEE, LLC**, Grand Rapids, MI (US)
- (72) Inventors: **Tyler Essenberg**, Grand Rapids, MI (US); **Aaron McCready**, Novi, MI (US)
- (73) Assignee: **I CARE COFFEE, LLC**, Grand Rapids, MI (US)

8,186,571	B2	5/2012	Field et al.
8,627,982	B2	1/2014	Selina
8,668,109	B2	3/2014	Dickert
2004/0200943	A1	10/2004	Rokov
2005/0258179	A1	11/2005	Morrison
2007/0205204	A1	9/2007	Novak
2007/0284426	A1	12/2007	Lo
2010/0019023	A1	1/2010	Silverstein et al.
2010/0025414	A1	2/2010	Mansour et al.

(Continued)

- (**) Term: **14 Years**
- (21) Appl. No.: **29/498,240**

FOREIGN PATENT DOCUMENTS

GB	2401773	11/2004
WO	2005115210	12/2005

Primary Examiner — Terry Wallace
(74) *Attorney, Agent, or Firm* — Price Heneveld LLP

- (22) Filed: **Aug. 1, 2014**
- (51) **LOC (10) Cl.** **07-06**
- (52) **U.S. Cl.**
USPC **D7/624.2**
- (58) **Field of Classification Search**
USPC D7/619.1–625, 605–608, 701–708,
D7/396.2; D9/455, 444
CPC B65D 81/3881; B65D 81/3876; B65D
81/3886; A47G 23/02; A47G 23/0208;
A47G 23/0216; A47G 23/0266
See application file for complete search history.

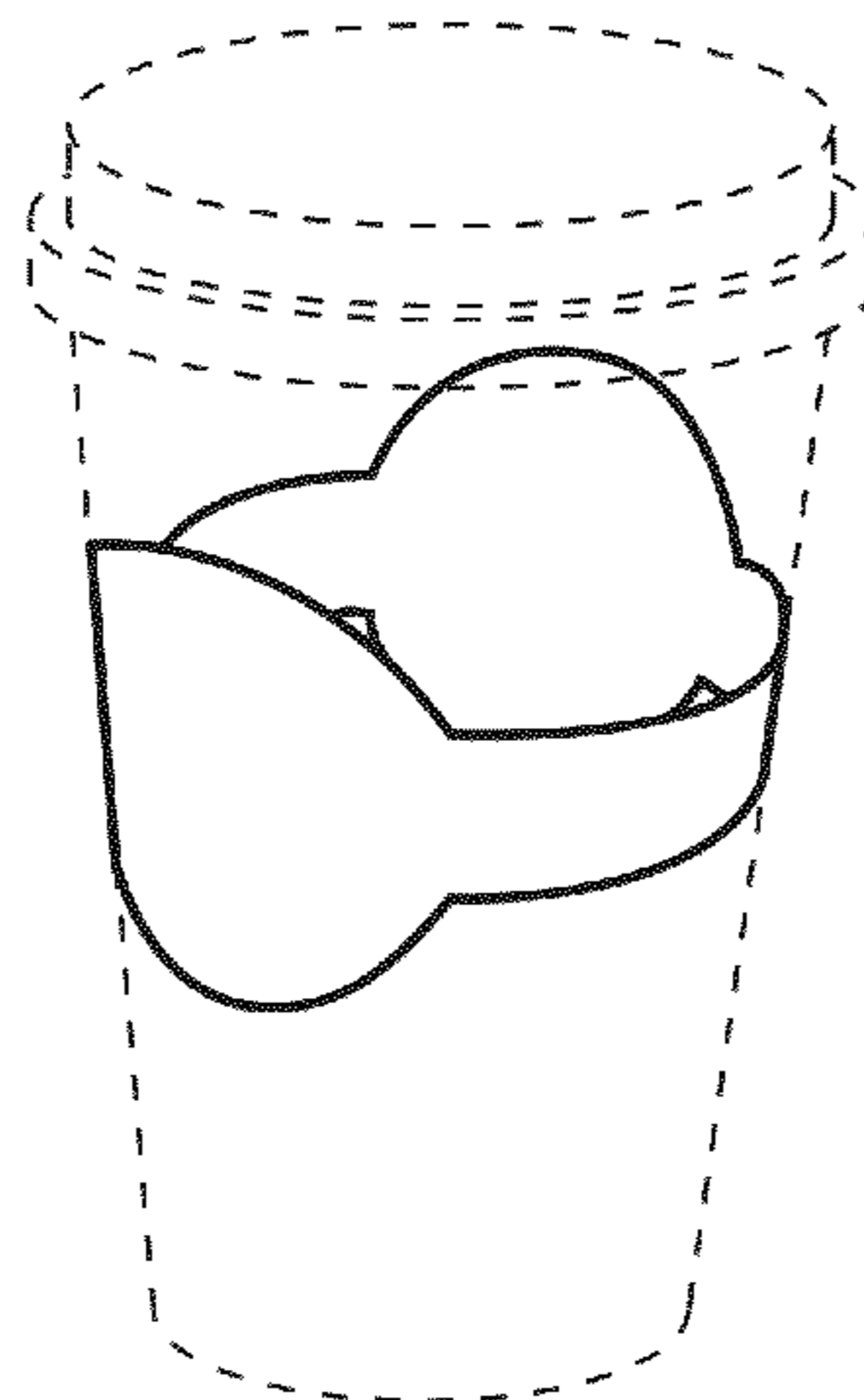
(57) **CLAIM**
The ornamental design for a cup sleeve, as shown and described.

DESCRIPTION

FIG. 1 is a perspective view of a beverage container with the cup sleeve showing the design;
FIG. 2 is a front view of the beverage container with the cup sleeve showing the design;
FIG. 3 is a right side view of the beverage container with the cup sleeve showing the design;
FIG. 4 is a rear view of the beverage container with the cup sleeve showing the design;
FIG. 5 is a left side view of the beverage container with the cup sleeve showing the design;
FIG. 6 is a bottom view of the cup sleeve; and,
FIG. 7 is a top view of the cup sleeve.
The beverage container and lid shown in broken lines represent environment only and form no part of the claimed design. In addition, the broken lines shown on the surface of the sleeve represent portions of the article that form no part of the claimed design.

- (56) **References Cited**
U.S. PATENT DOCUMENTS
- | | | | |
|-----------|----|---------|------------------|
| 5,226,585 | A | 7/1993 | Varano |
| 5,238,161 | A | 8/1993 | Kimishima |
| 5,425,497 | A | 6/1995 | Sorensen |
| 5,579,949 | A | 12/1996 | Dykes et al. |
| 5,667,135 | A | 9/1997 | Schaefer |
| 5,746,372 | A | 5/1998 | Spence |
| 5,964,400 | A | 10/1999 | Varano et al. |
| 6,286,754 | B1 | 9/2001 | Stier et al. |
| 6,749,082 | B1 | 6/2004 | Nickel |
| 6,863,644 | B1 | 3/2005 | Cook |
| 6,986,438 | B2 | 1/2006 | Leung |
| 7,063,771 | B2 | 6/2006 | Halabisky et al. |
| D640,508 | S | 6/2011 | Bouillon |
| 8,025,210 | B2 | 9/2011 | Johnson et al. |

1 Claim, 2 Drawing Sheets



(56)

References Cited

U.S. PATENT DOCUMENTS

2010/0072268 A1 3/2010 Johnson et al.
2010/0147937 A1 6/2010 Reid et al.
2010/0181328 A1 7/2010 Cook et al.
2010/0200647 A1 8/2010 Tedford et al.
2010/0224641 A1 9/2010 Hanel

2011/0233223 A1 9/2011 Cook et al.
2011/0233224 A1* 9/2011 Cook A47G 23/0216
220/739
2012/0043243 A1* 2/2012 Selina B65D 81/3876
206/459.5
2013/0043263 A1 2/2013 Yang
2014/0124519 A1 5/2014 Lin

* cited by examiner

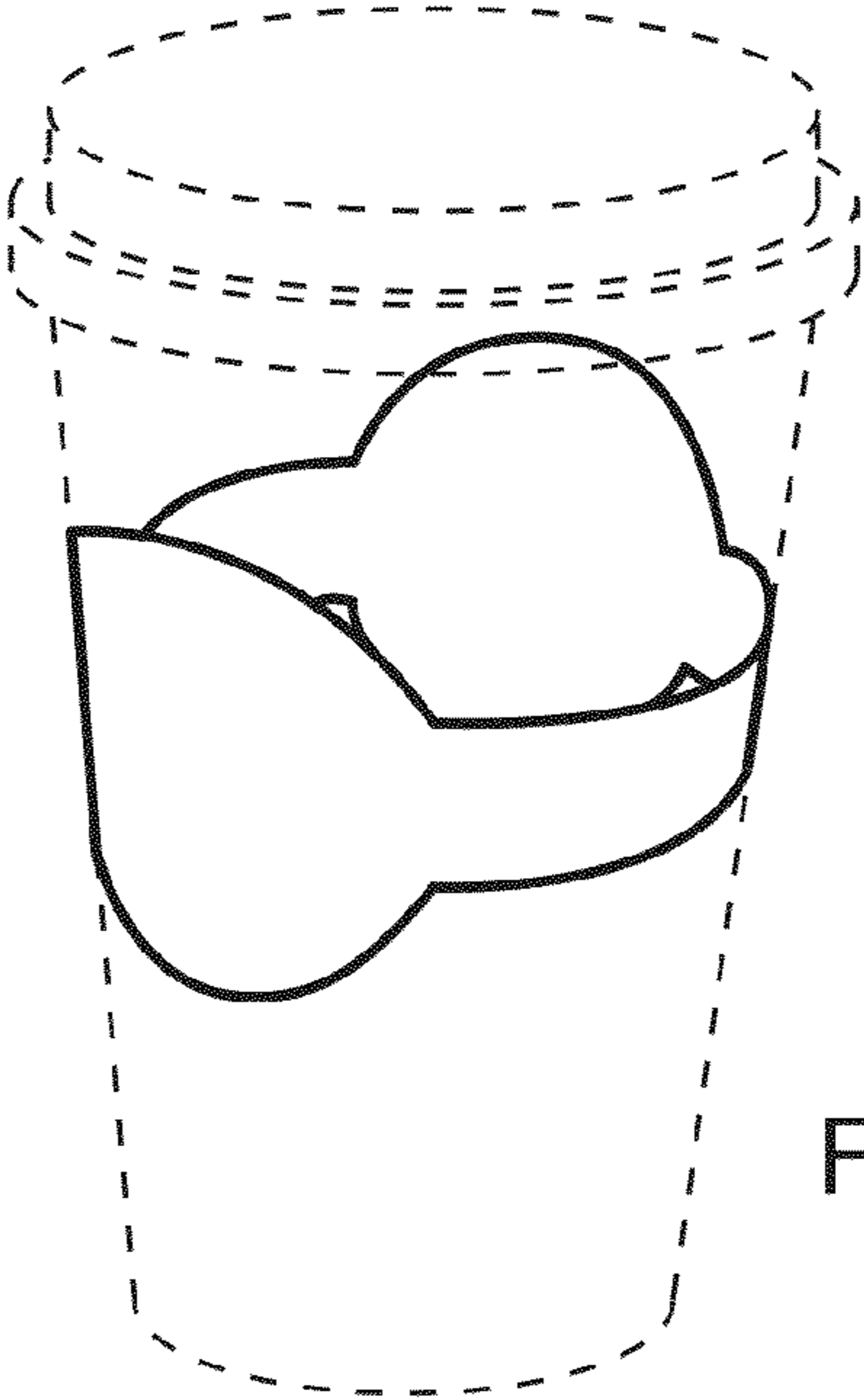


FIG. 1

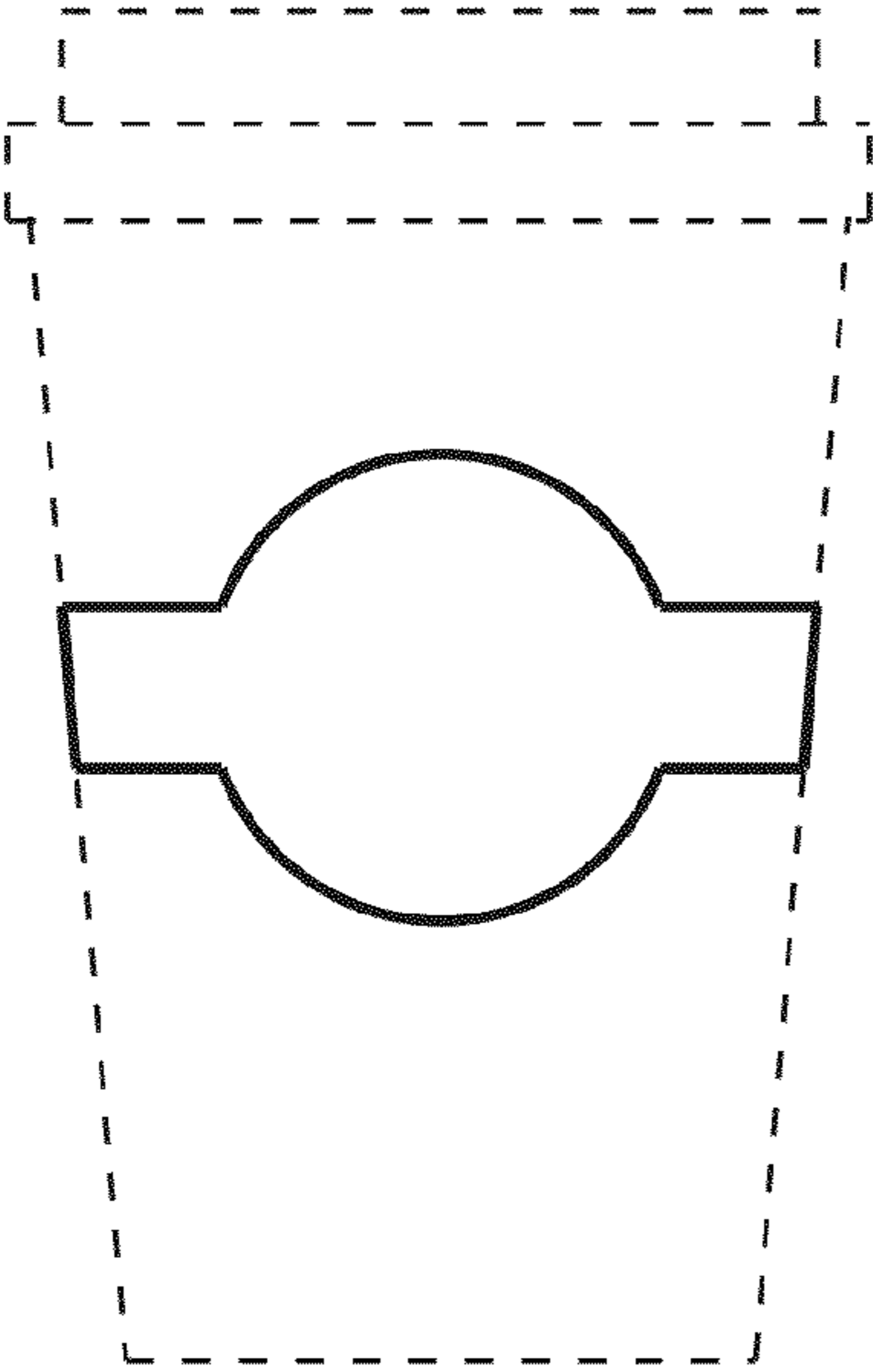


FIG. 2

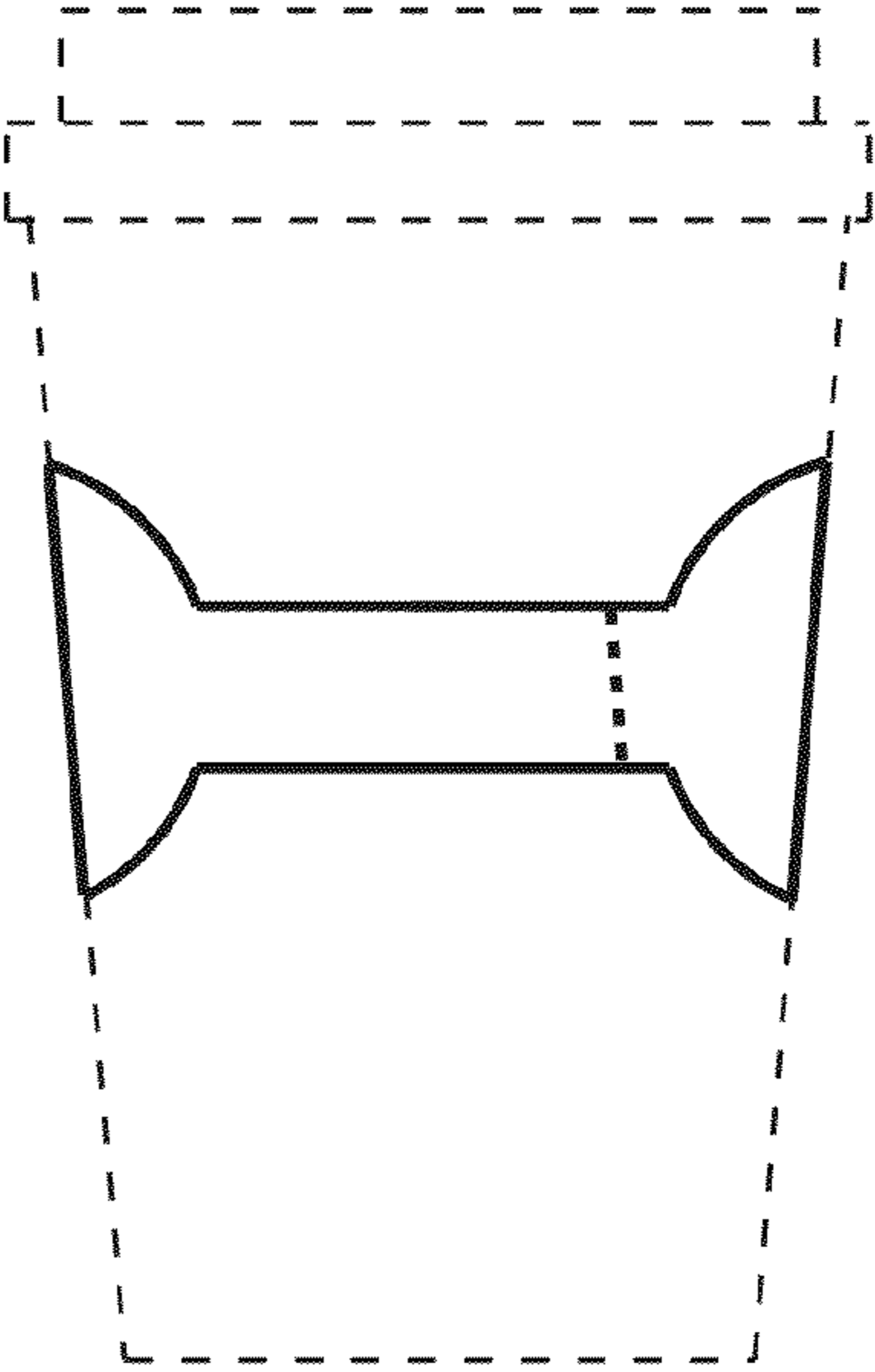


FIG. 3

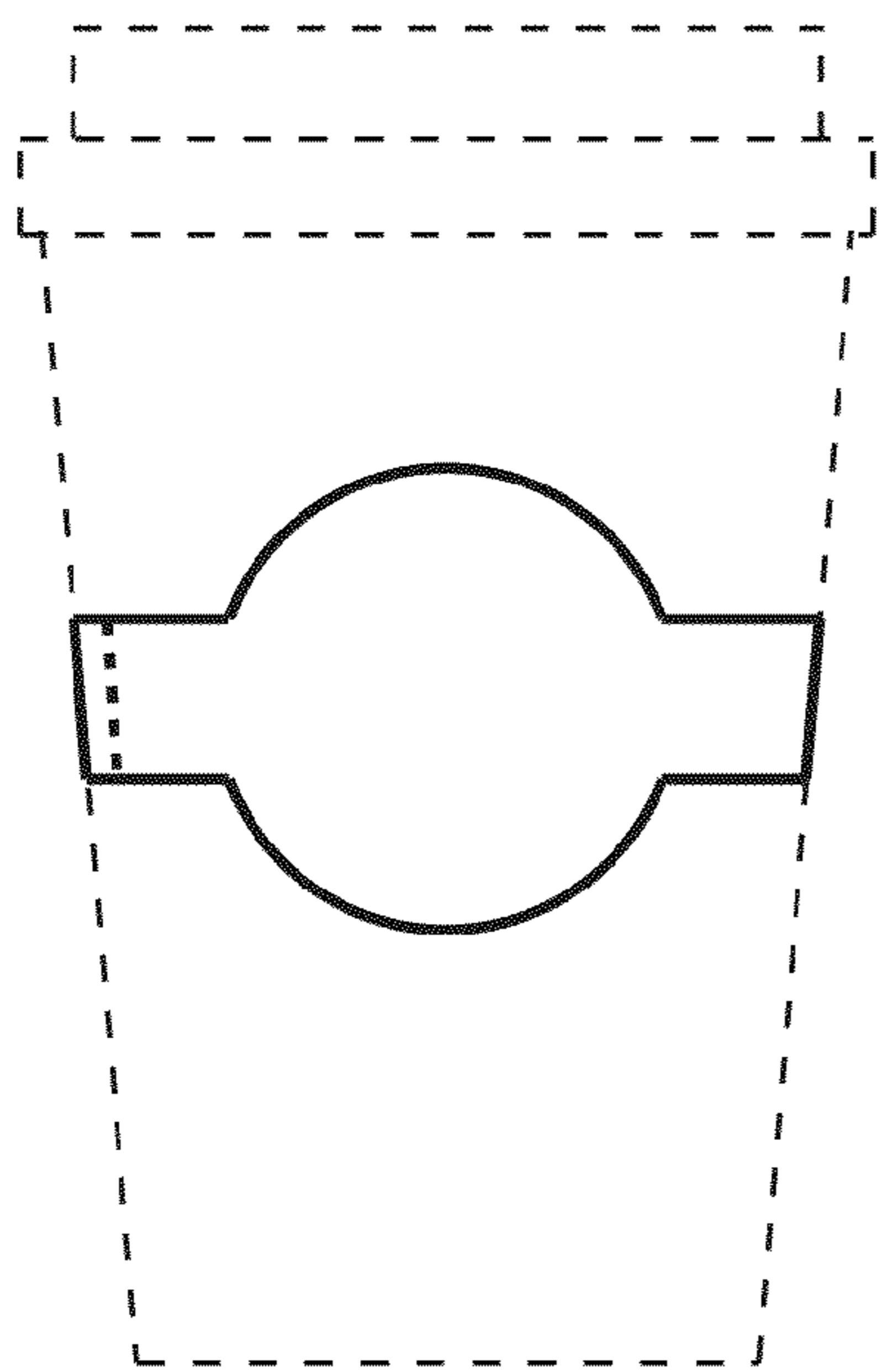


FIG. 4

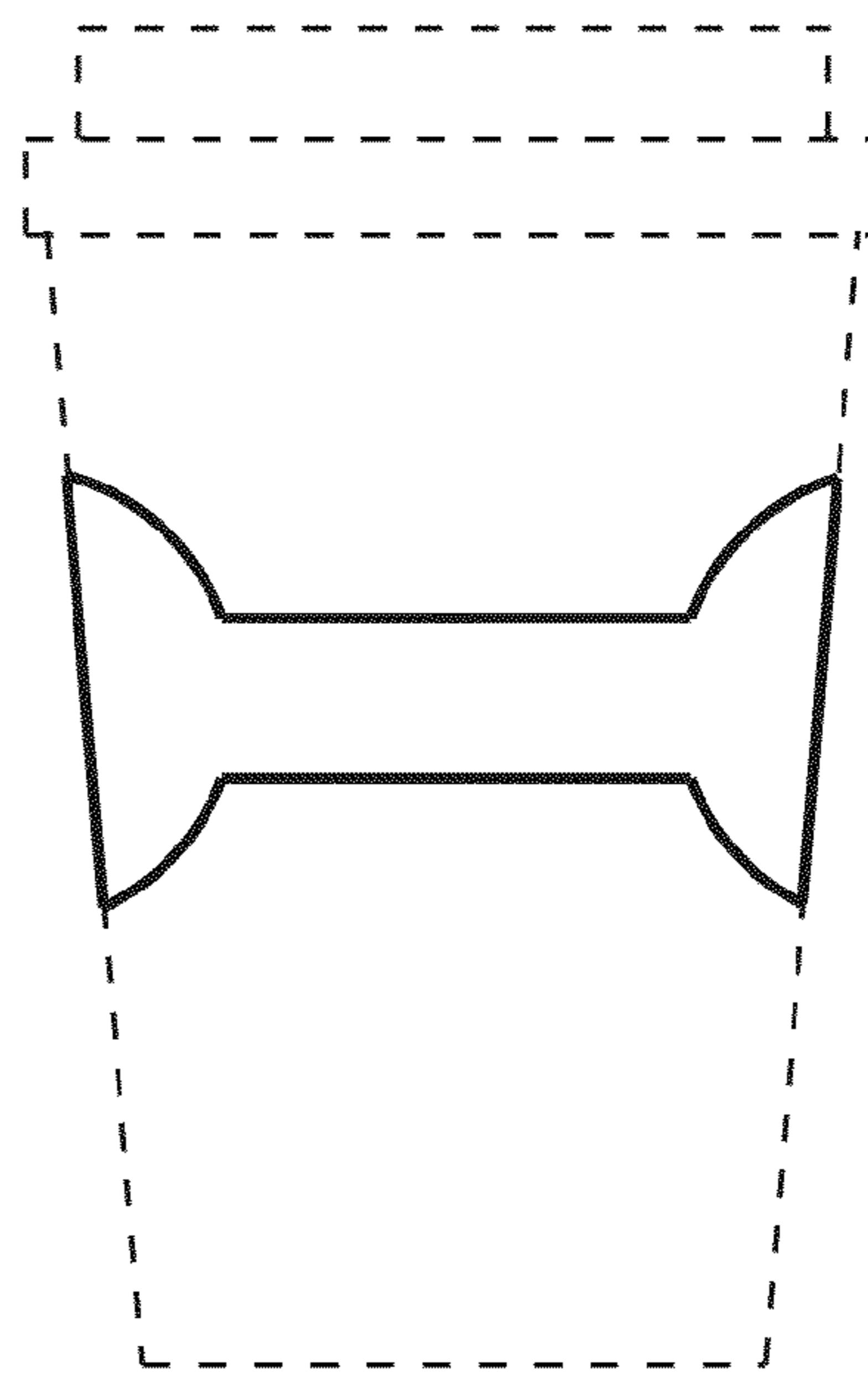


FIG. 5

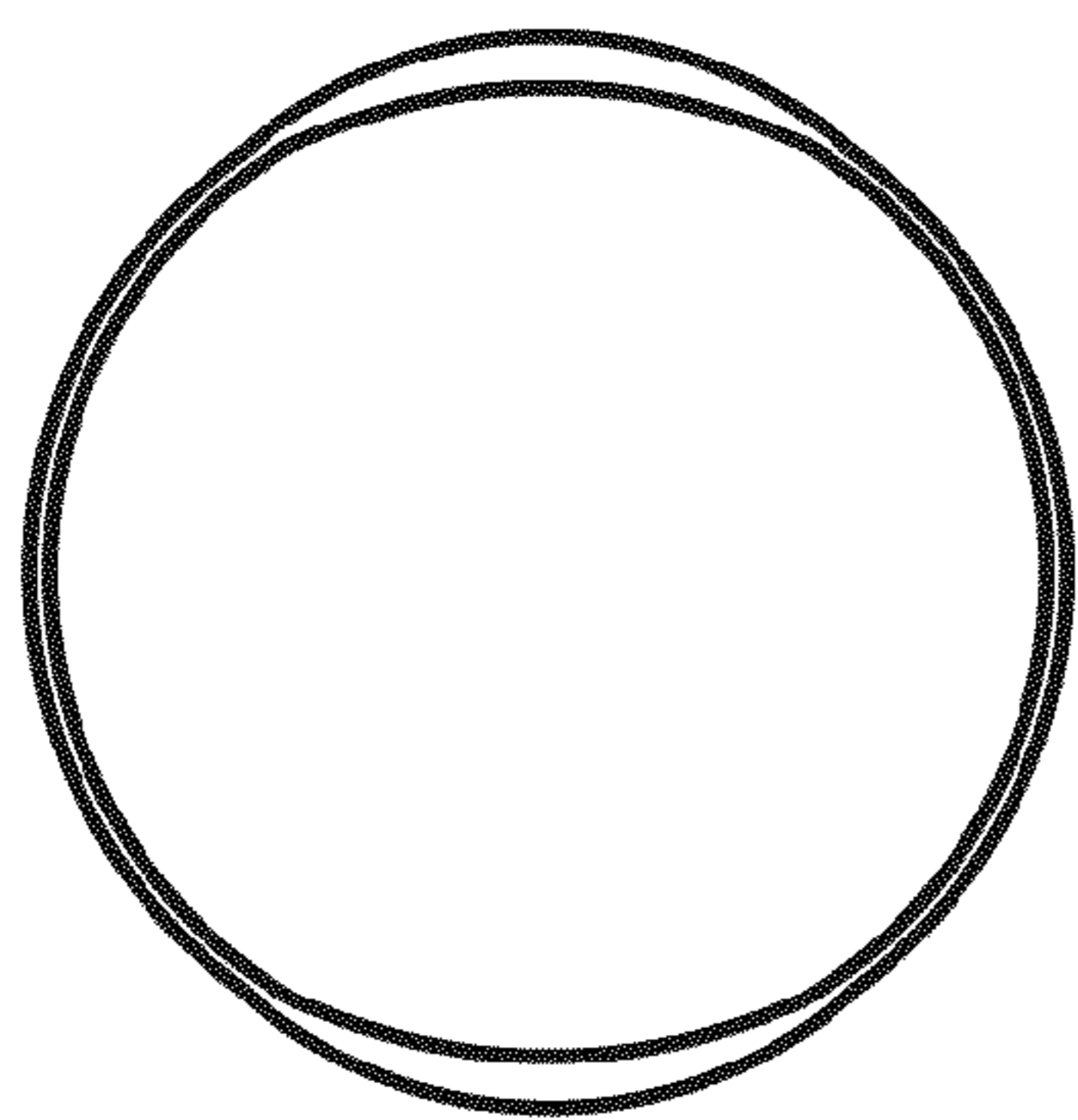


FIG. 6

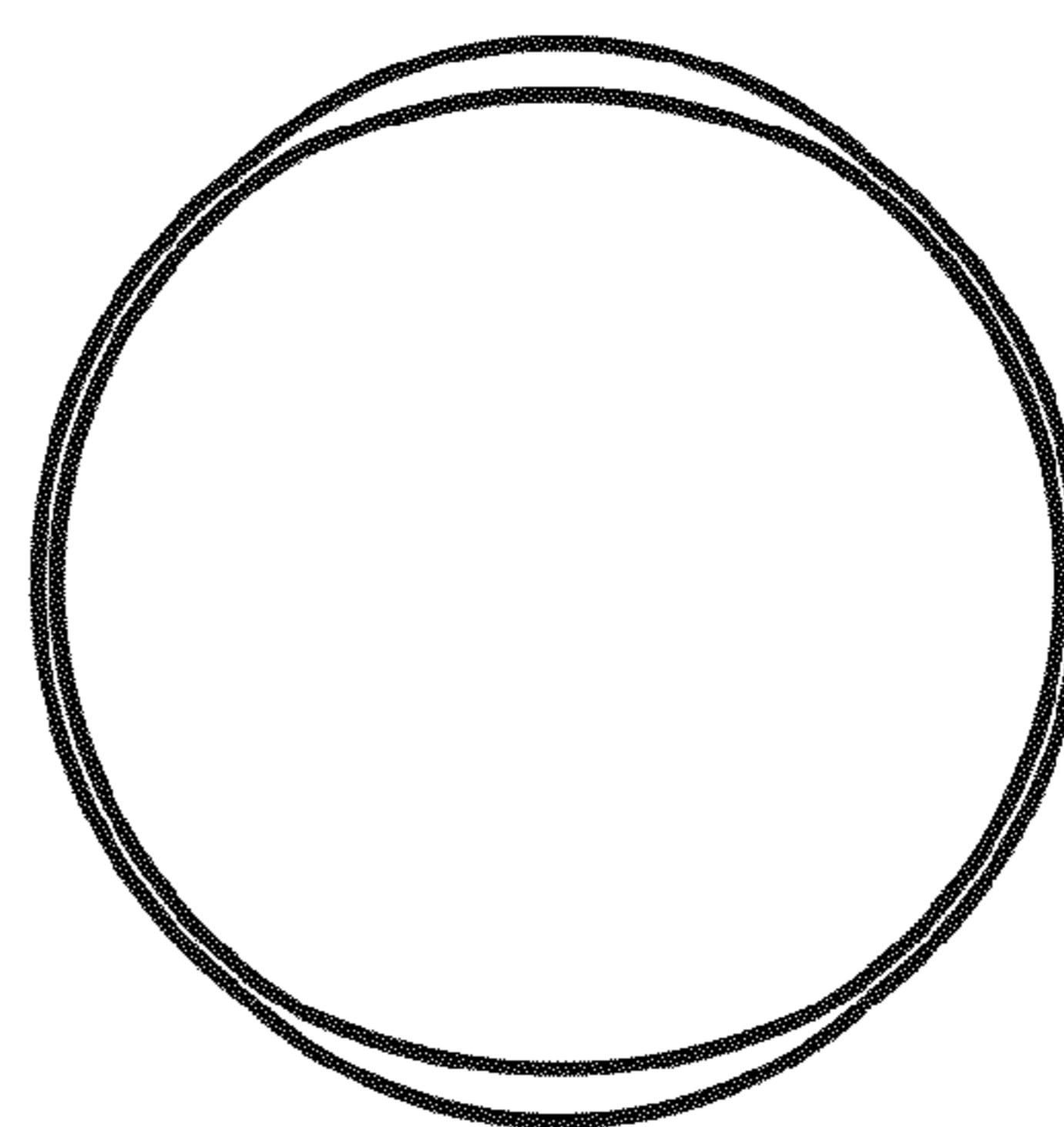


FIG. 7