



US00D753954S

(12) **United States Design Patent**  
**Schreiber**

(10) **Patent No.:** **US D753,954 S**  
(45) **Date of Patent:** **\*\* Apr. 19, 2016**

(54) **COFFEE FILTER**  
(76) Inventor: **Eugene Schreiber**, Brooklyn, NY (US)  
(\*\*) Term: **14 Years**  
(21) Appl. No.: **29/430,408**  
(22) Filed: **Aug. 24, 2012**  
(51) **LOC (10) Cl.** ..... **07-01**  
(52) **U.S. Cl.**  
USPC ..... **D7/400; D7/630; D9/428; D9/500**  
(58) **Field of Classification Search**  
USPC ..... D9/424, 428, 500, 502-503, 505, 516,  
D9/549, 558, 763, 772, 777-780; D7/400,  
D7/397, 587, 602, 630, 509, 523, 540, 584,  
D7/603; D23/209; 99/295, 323, 316, 317,  
99/306; 210/479, 455, 238; 220/660,  
220/669-673, 675  
CPC . A47J 31/446; A47J 31/0689; B65D 85/8043  
See application file for complete search history.

D695,110	S	*	12/2013	Houlton et al.	.....	D9/500
D710,686	S	*	8/2014	Gowens	.....	D9/429
D715,649	S	*	10/2014	O'Brien	.....	D9/500
2009/0205504	A1		8/2009	Navarro Alcantara	.....	99/295
2010/0003371	A1		1/2010	Ozanne et al.	.....	426/77
2010/0108541	A1		5/2010	Roberto	.....	206/0.5
2010/0203198	A1		8/2010	Yoakim et al.	.....	426/80
2011/0303095	A1		12/2011	Fu et al.	.....	99/317

**FOREIGN PATENT DOCUMENTS**

WO WO 2013/043048 3/2013

**OTHER PUBLICATIONS**

Concise Statement of Relevance for U.S. Patent Application Publication No. 2010/0108541, U.S. Patent Application Publication No. 2010/0203198 and PCT Publication No. WO 2013/043048.

\* cited by examiner

*Primary Examiner* — Ian Simmons  
*Assistant Examiner* — Rashida C McCoy  
(74) *Attorney, Agent, or Firm* — Ostrolenk Faber LLP

(56) **References Cited**  
**U.S. PATENT DOCUMENTS**

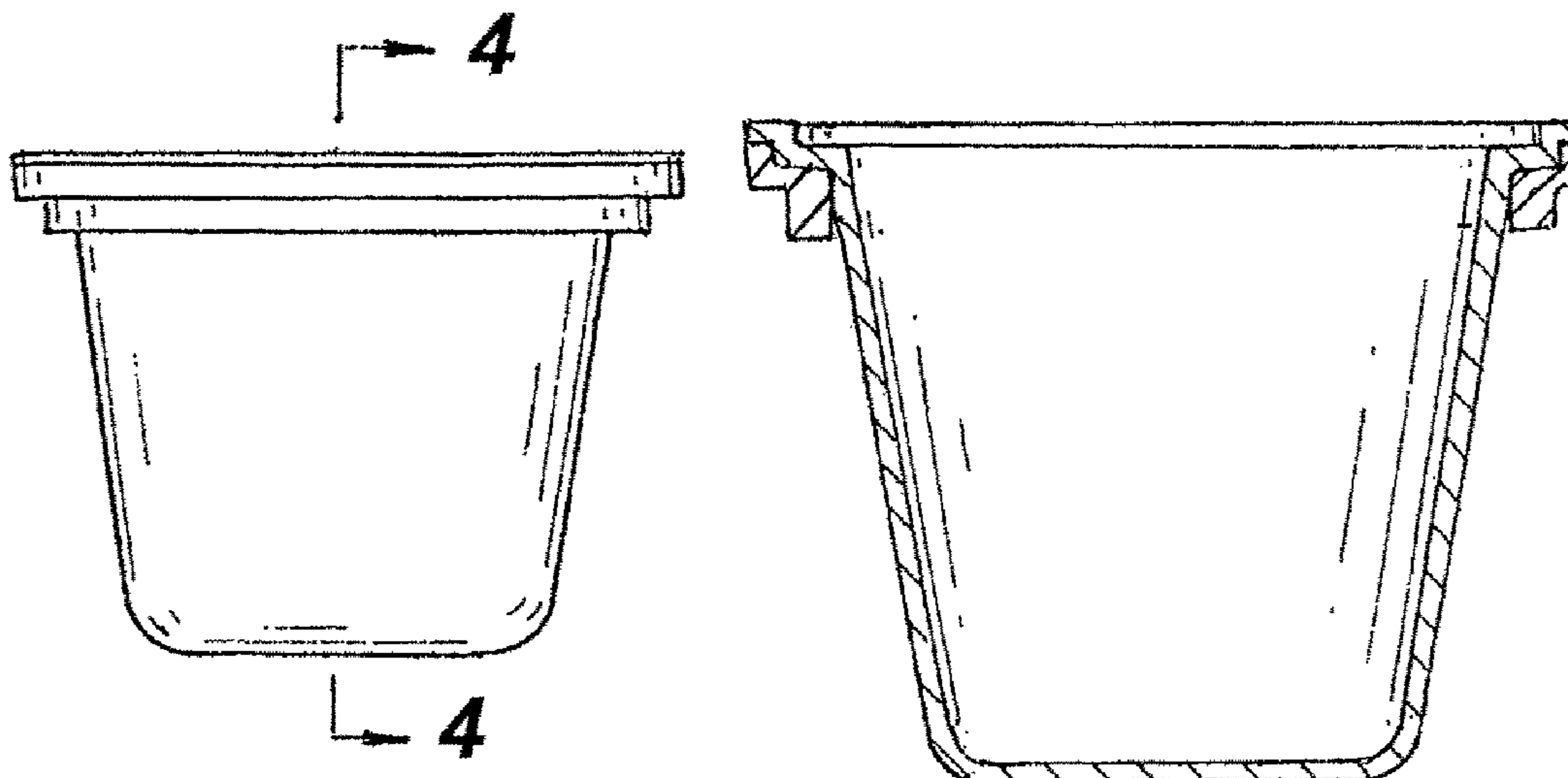
2,828,789	A	*	4/1958	Geisler et al.	.....	220/783
4,859,337	A		8/1989	Woltermann	.....	210/474
D333,755	S		3/1993	Oleksiuk	.....	D7/400
D341,059	S		11/1993	Watson	.....	D7/400
5,325,765	A		7/1994	Sylvan et al.	.....	99/295
5,840,189	A		11/1998	Sylvan et al.	.....	210/474
D426,160	S	*	6/2000	Lindsay et al.	.....	D9/500
D452,633	S		1/2002	Valkovich	.....	D7/400
D474,110	S	*	5/2003	Sweeney	.....	D9/428
D474,111	S	*	5/2003	Lazaris	.....	D9/428
6,645,537	B2	*	11/2003	Sweeney et al.	.....	426/79
D524,691	S	*	7/2006	Caruso	.....	D11/152
D546,140	S	*	7/2007	Anzalone	.....	D7/672
D606,363	S	*	12/2009	Aardenburg	.....	D7/400
D607,329	S	*	1/2010	Diss	.....	D9/500
D652,266	S	*	1/2012	Smyers	.....	D7/630

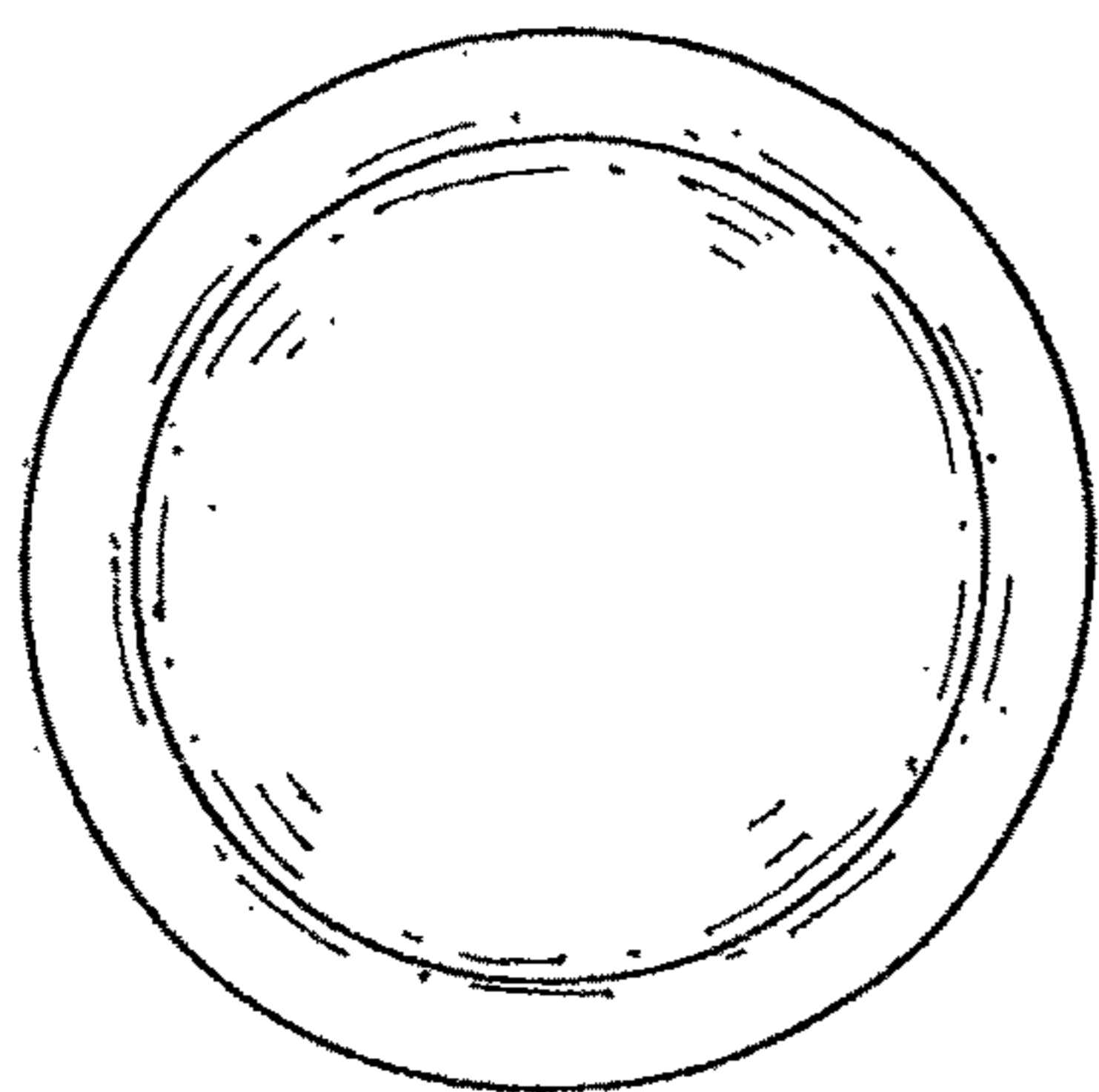
(57) **CLAIM**  
The ornamental design for a coffee filter, as shown and described.

**DESCRIPTION**

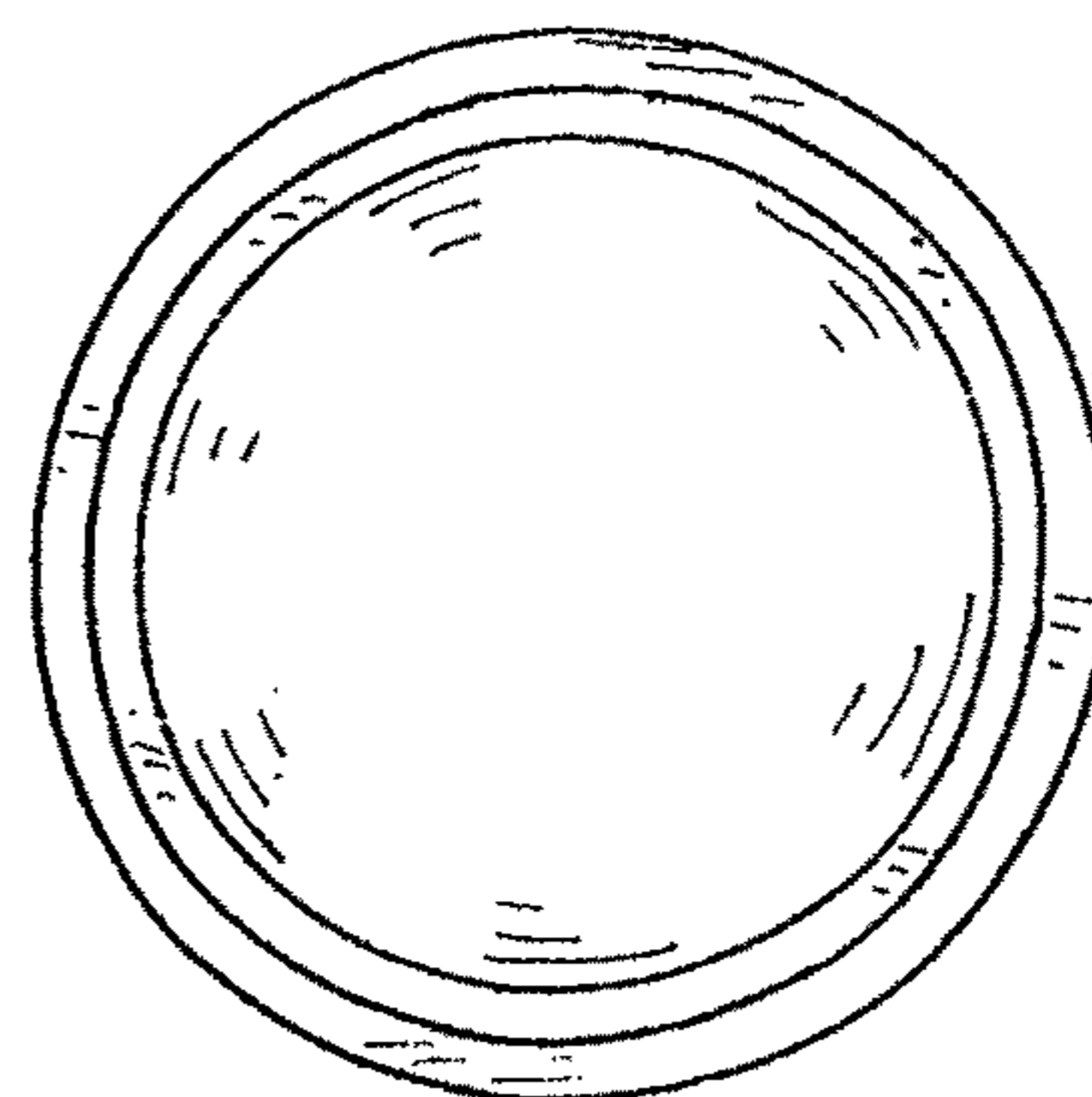
FIG. 1 is a top plan view of the coffee filter showing my new design;  
FIG. 2 is a bottom plan view thereof;  
FIG. 3 is a right side plan view thereof, the other side plan views being the same as the right side plan view; and,  
FIG. 4 is a sectional view taken along line 4-4 of FIG. 3.  
The broken lines in the drawings illustrate environmental material that forms no part of the claimed design.

**1 Claim, 1 Drawing Sheet**

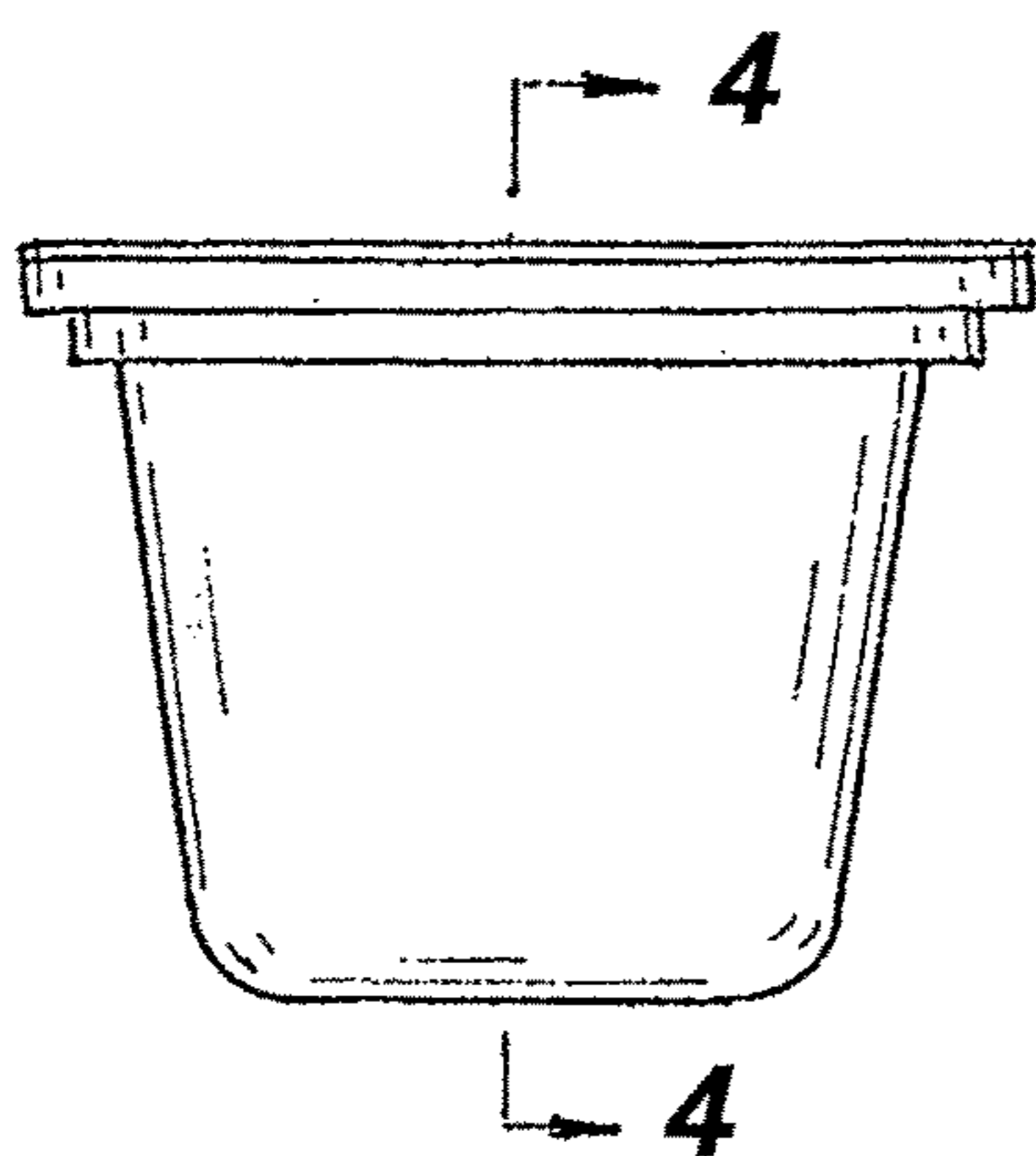




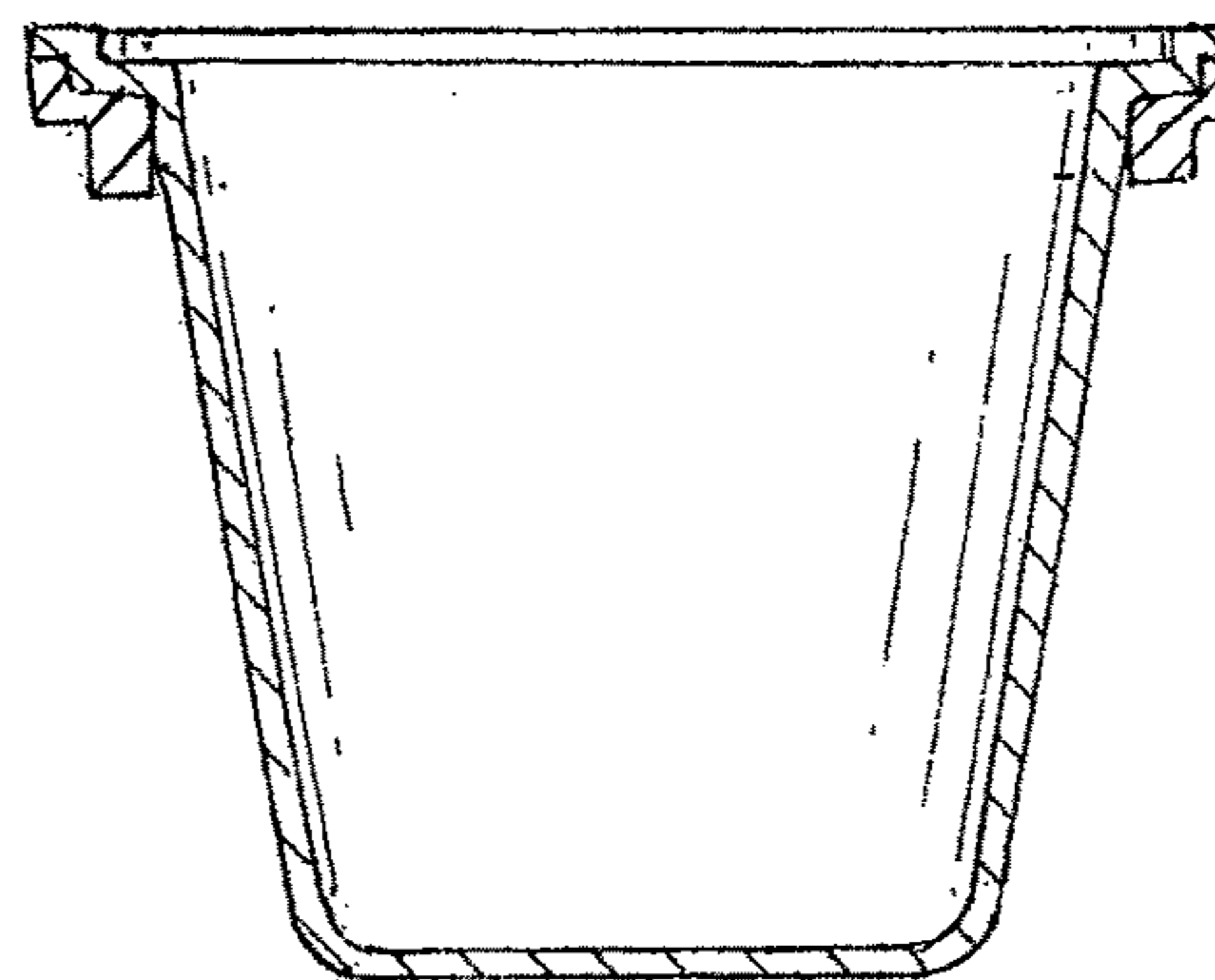
**FIG. 1**



**FIG. 2**



**FIG. 3**



**FIG. 4**