



US00D753951S

(12) **United States Design Patent**
Cornu et al.

(10) **Patent No.:** **US D753,951 S**
(45) **Date of Patent:** **** Apr. 19, 2016**

(54) **HANDLE FOR PITCHER**

(71) Applicant: **Dart Industries Inc.**, Orlando, FL (US)

(72) Inventors: **Judicaël Cornu**, Orlando, FL (US); **Kris Schoukens**, Orlando, FL (US)

(73) Assignee: **Dart Industries Inc.**, Orlando, FL (US)

(**) Term: **15 Years**

(21) Appl. No.: **29/534,795**

(22) Filed: **Jul. 31, 2015**

Related U.S. Application Data

(62) Division of application No. 29/485,266, filed on Mar. 18, 2014, now Pat. No. Des. 737,619.

(51) **LOC (10) Cl.** **07-01**

(52) **U.S. Cl.**

USPC **D7/393**; D7/318; D7/316

(58) **Field of Classification Search**

USPC D7/507, 509, 527, 523, 532, 533, 535, D7/536, 534, 300, 589, 323, 331, 336, 339, D7/341, 361, 362, 402, 407, 408, 409, 416, D7/417, 213, 394, 393, 395, 401, 397, 376, D7/387, 667, 360, 396.2, 320, 319, 318, D7/317, 316, 314, 514, 515; D10/46.2; D32/53.1; 126/25 B, 144; D9/763, 767, D9/775, 776; 220/703, 592.16, 592.17, 220/710.5; D3/202
CPC . A47J 37/0704; A47J 37/0786; A47J 37/079; A47J 37/00; F24B 3/00; F23Q 13/00; A47G 21/184; A47G 19/2255; A47G 19/2227; A47G 23/0266

See application file for complete search history.

(56) **References Cited**

U.S. PATENT DOCUMENTS

D194,622 S	2/1963	Swett	
3,700,146 A *	10/1972	Cousins A47G 19/23 222/465.1
D227,142 S	6/1973	Swett	
D270,602 S	9/1983	Fritz	
D283,193 S	4/1986	Daenen	
D287,324 S	12/1986	Schmidt	
D287,325 S	12/1986	Schmidt	
D293,291 S *	12/1987	Hansen D7/533
D414,978 S	10/1999	Bruckner	
D433,866 S	11/2000	Cautereels et al.	
D454,469 S	3/2002	Jalet et al.	
D502,056 S *	2/2005	Bakti D7/507

(Continued)

Primary Examiner — Marianne Pandozzi

Assistant Examiner — Jae Liang

(74) *Attorney, Agent, or Firm* — Taylor J. Ross

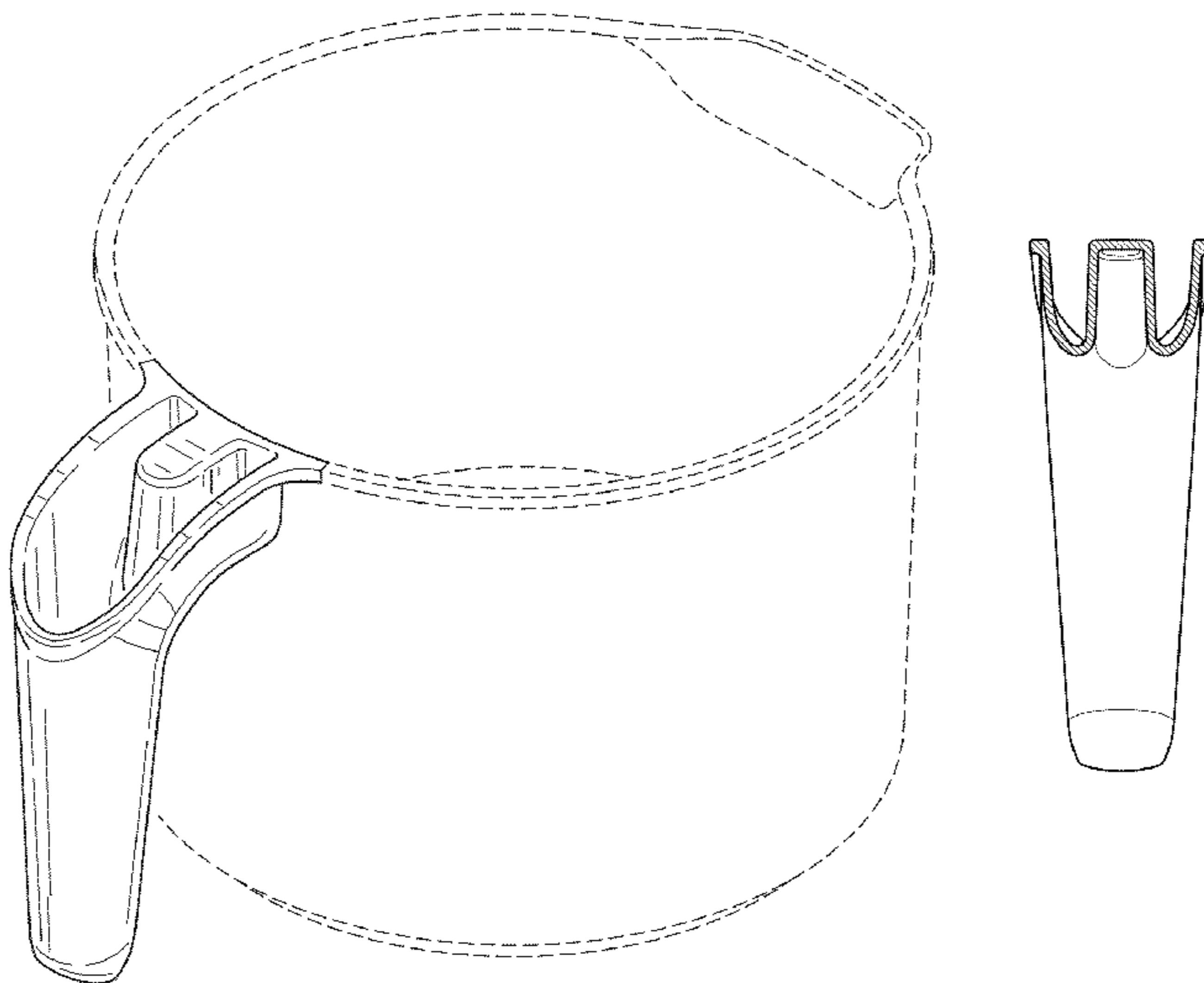
(57) **CLAIM**

The ornamental design for a handle for pitcher, as shown and described.

DESCRIPTION

FIG. 1 is a top, front and left side environmental perspective view of a handle for pitcher showing our new design; FIG. 2 is a top, rear and right side environmental perspective view thereof; FIG. 3 is a bottom, rear and left side environmental perspective view thereof; FIG. 4 is an environmental top view thereof; FIG. 5 is an environmental bottom view thereof; FIG. 6 is an environmental left side elevational view thereof; the environmental right side elevational view being a mirror image; FIG. 7 is an environmental rear elevational view thereof; FIG. 8 is an environmental cross sectional view taken along line 8-8 of FIG. 4; and, FIG. 9 is a cross sectional view taken along line 9-9 of FIG. 8. The broken lines in the drawing depict environmental subject matter only and form no part of the claimed design.

1 Claim, 4 Drawing Sheets



(56)

References Cited

U.S. PATENT DOCUMENTS

D533,471 S * 12/2006 Jordan D10/46.2
D598,713 S * 8/2009 Luft D7/533
D613,121 S * 4/2010 Luft D7/533
D646,524 S 10/2011 Kortleven
D653,902 S 2/2012 Chen

D660,186 S * 5/2012 Williams D10/46.2
D673,426 S * 1/2013 Heiberg D7/318
D695,076 S * 12/2013 Cocci D7/533
D704,003 S * 5/2014 Cocci D7/533
D744,186 S * 11/2015 Gringer D32/53.1
2004/0129714 A1 * 7/2004 Thompson A47G 19/2266
220/705

* cited by examiner

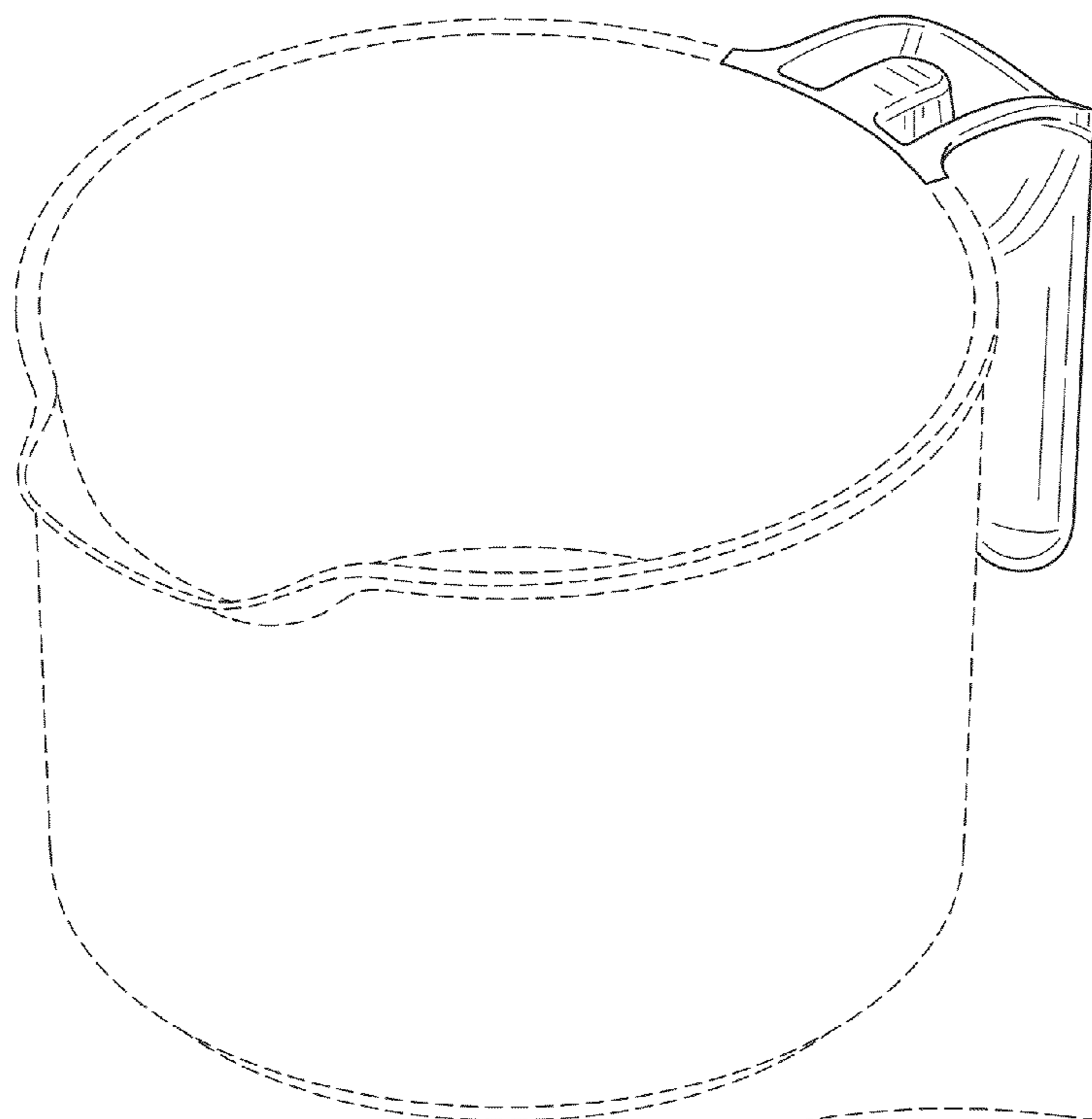


FIG. 1

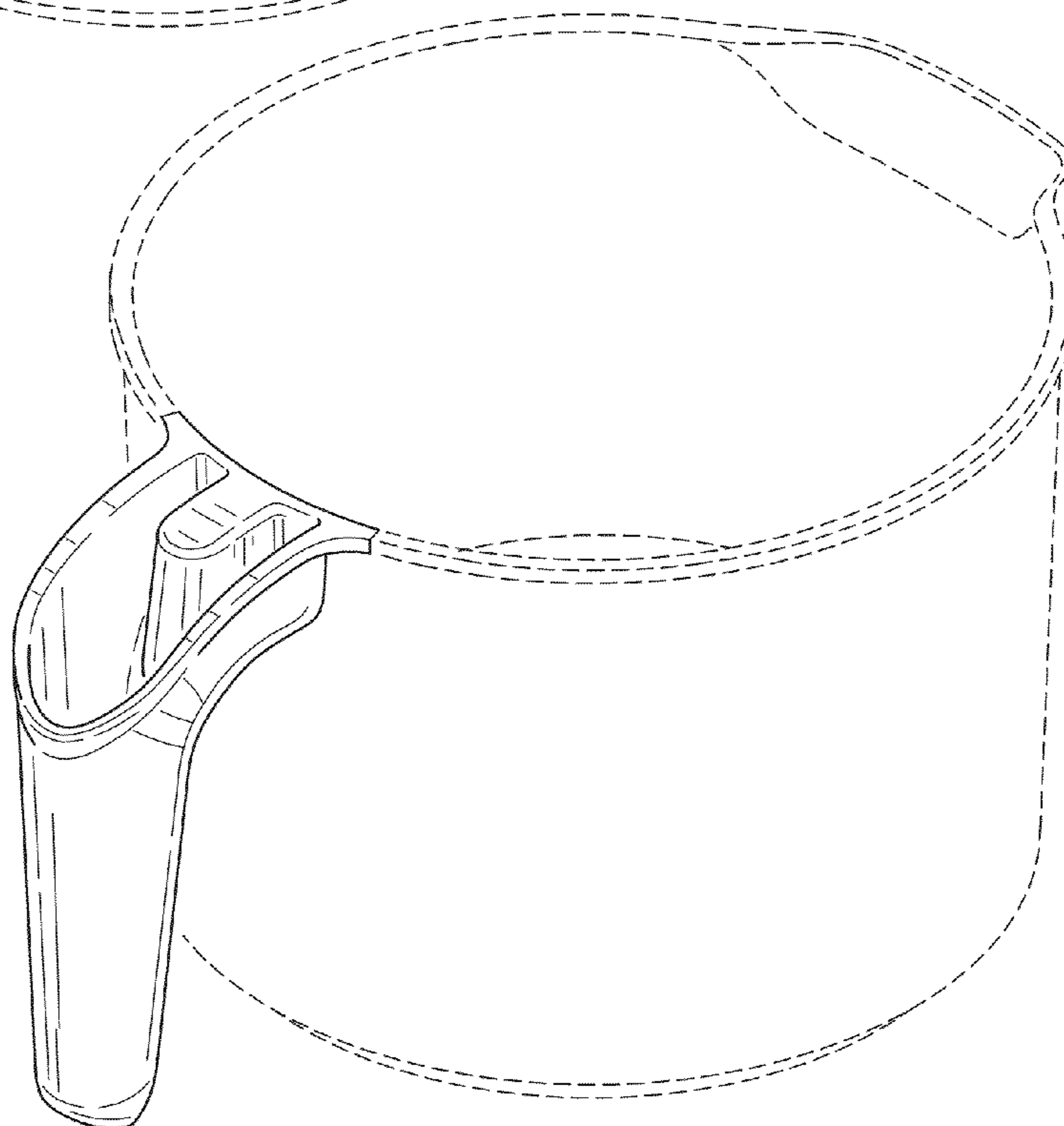


FIG. 2

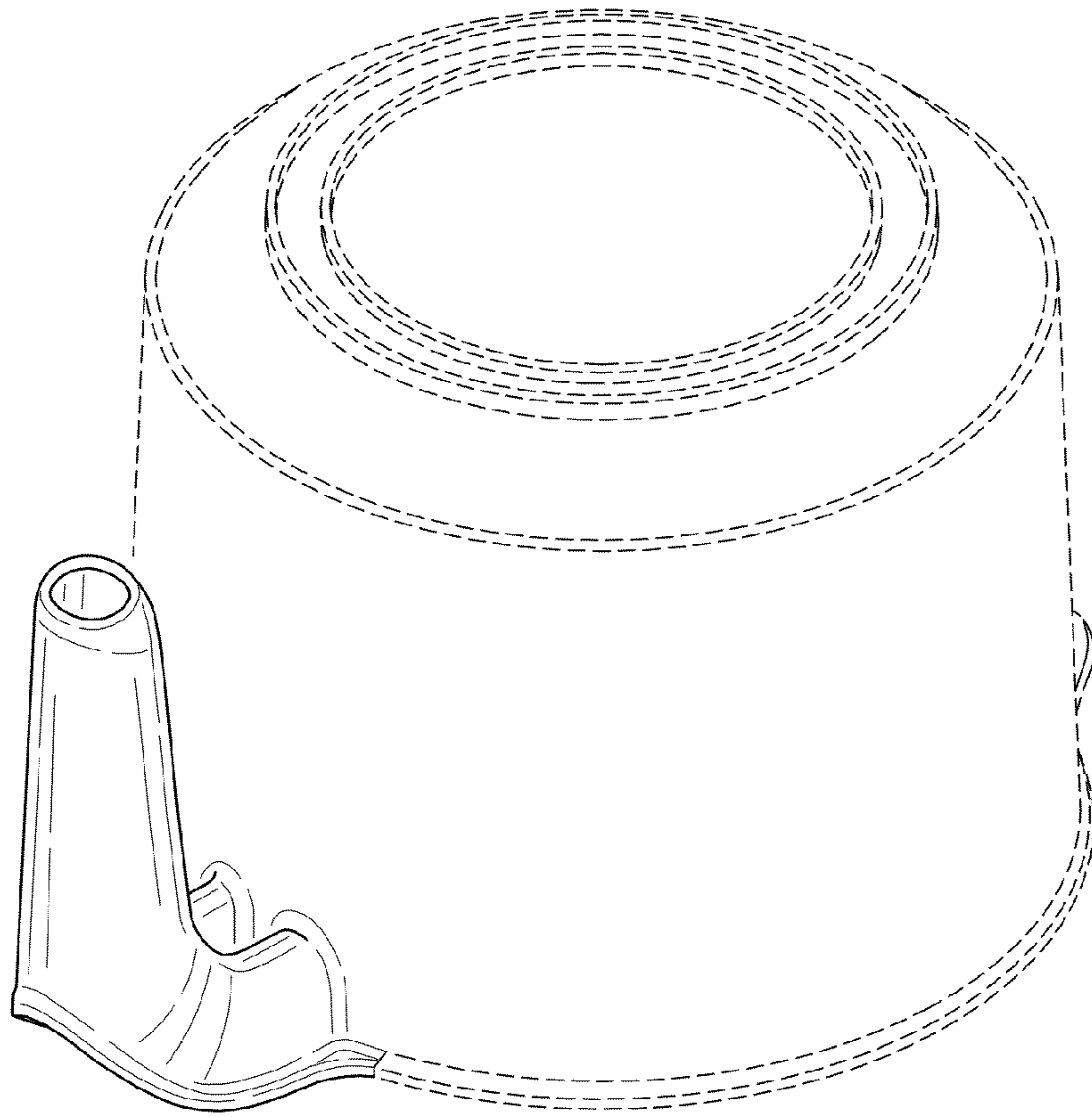


FIG. 3

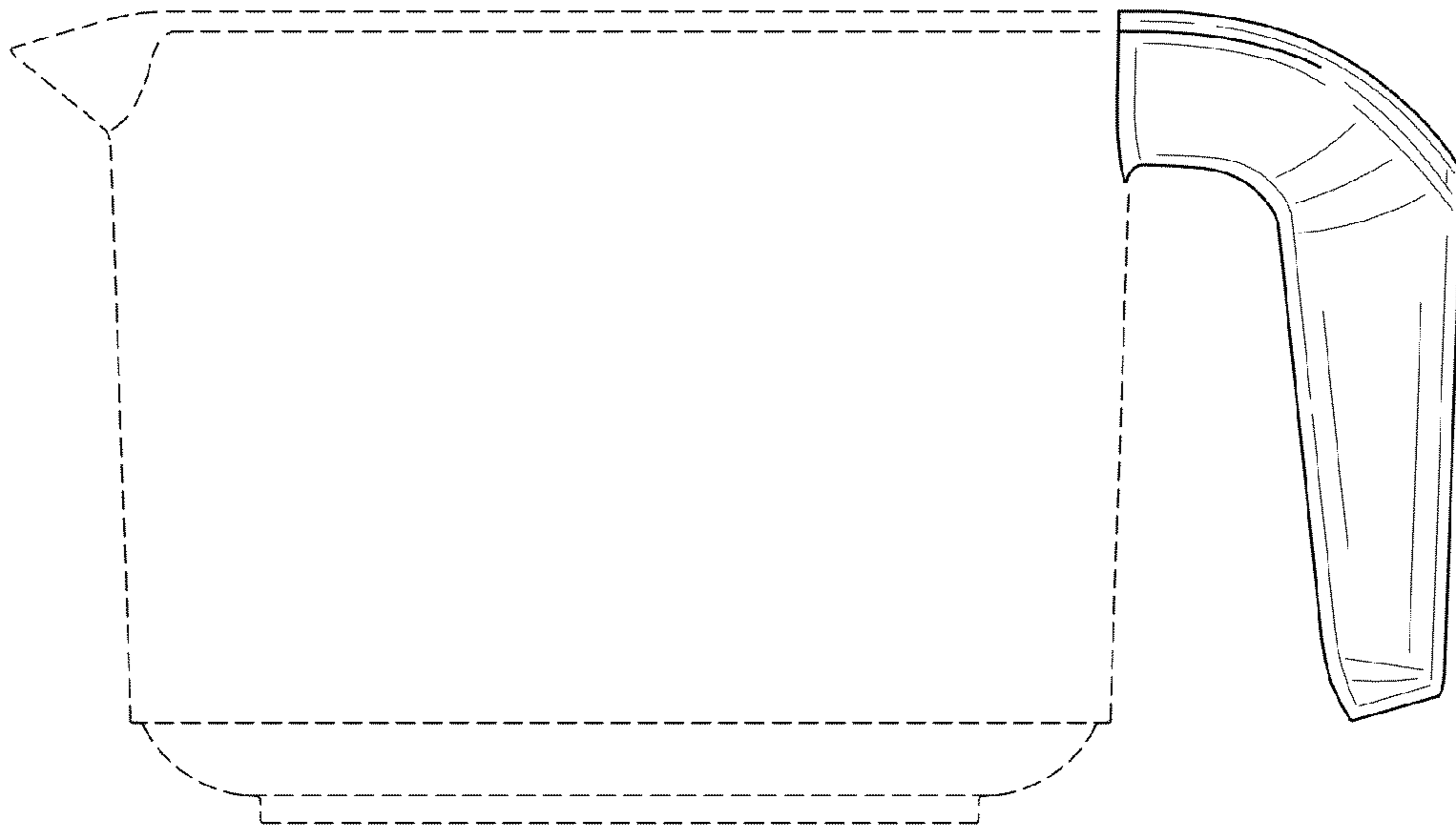


FIG. 6

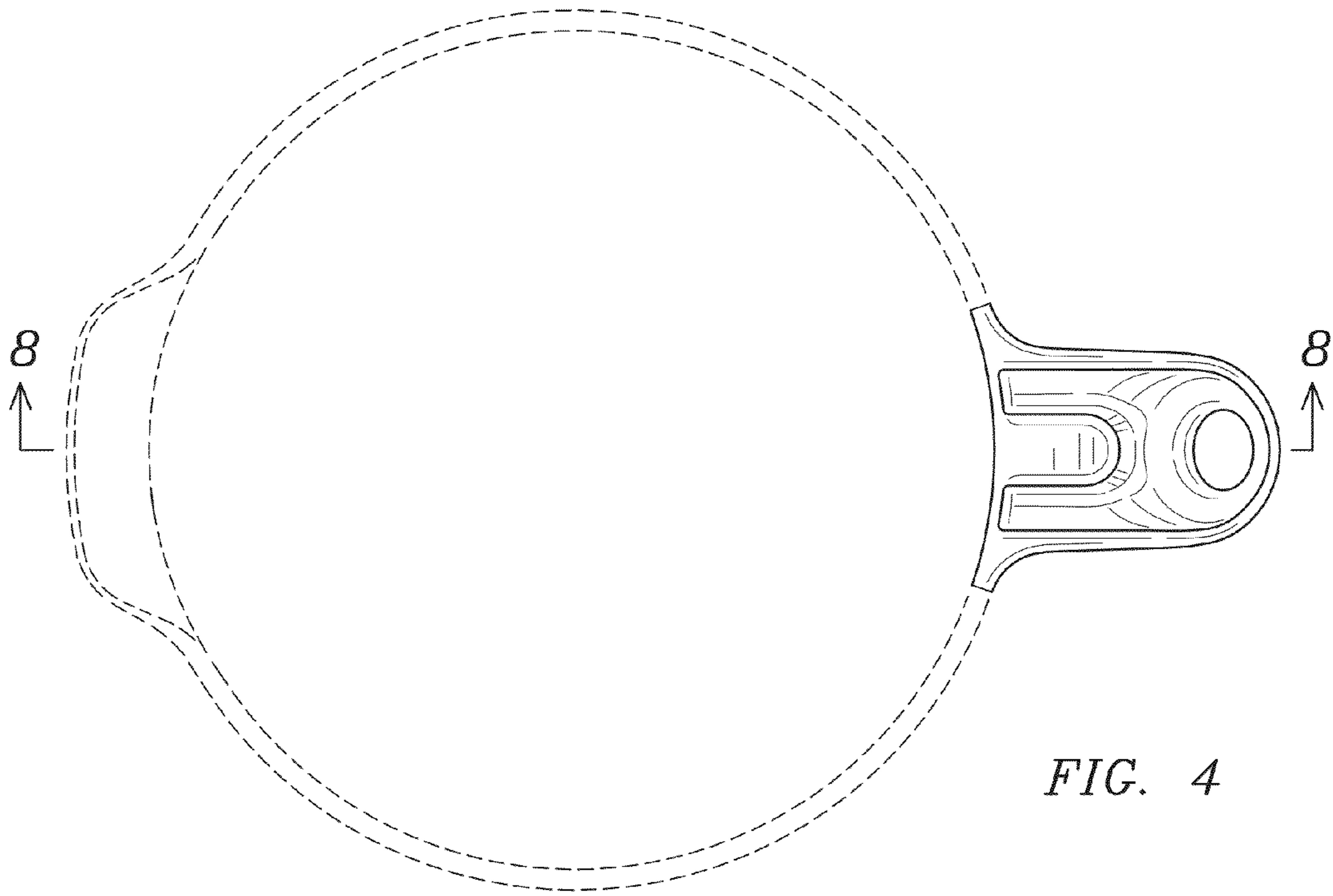


FIG. 4

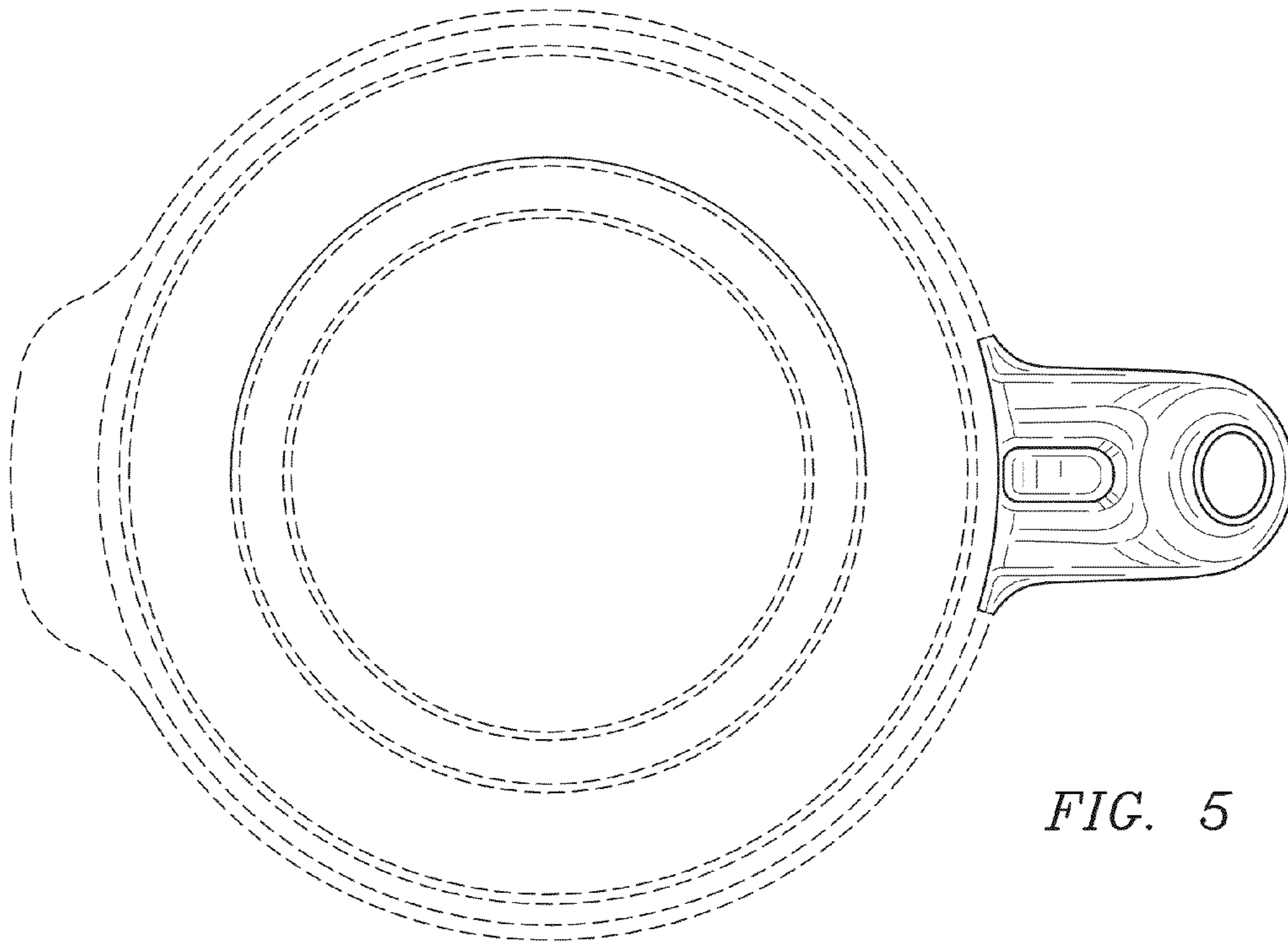


FIG. 5

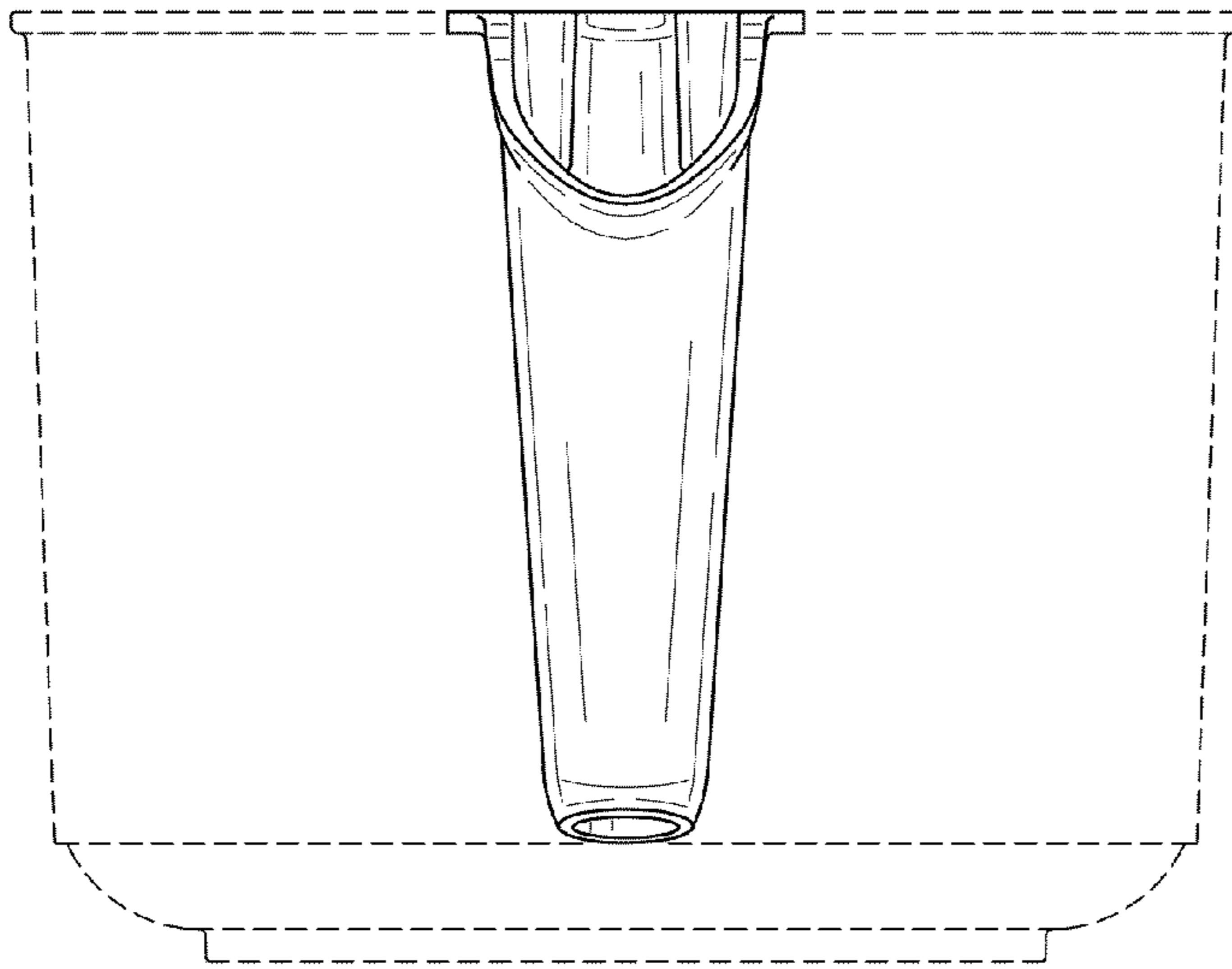


FIG. 7

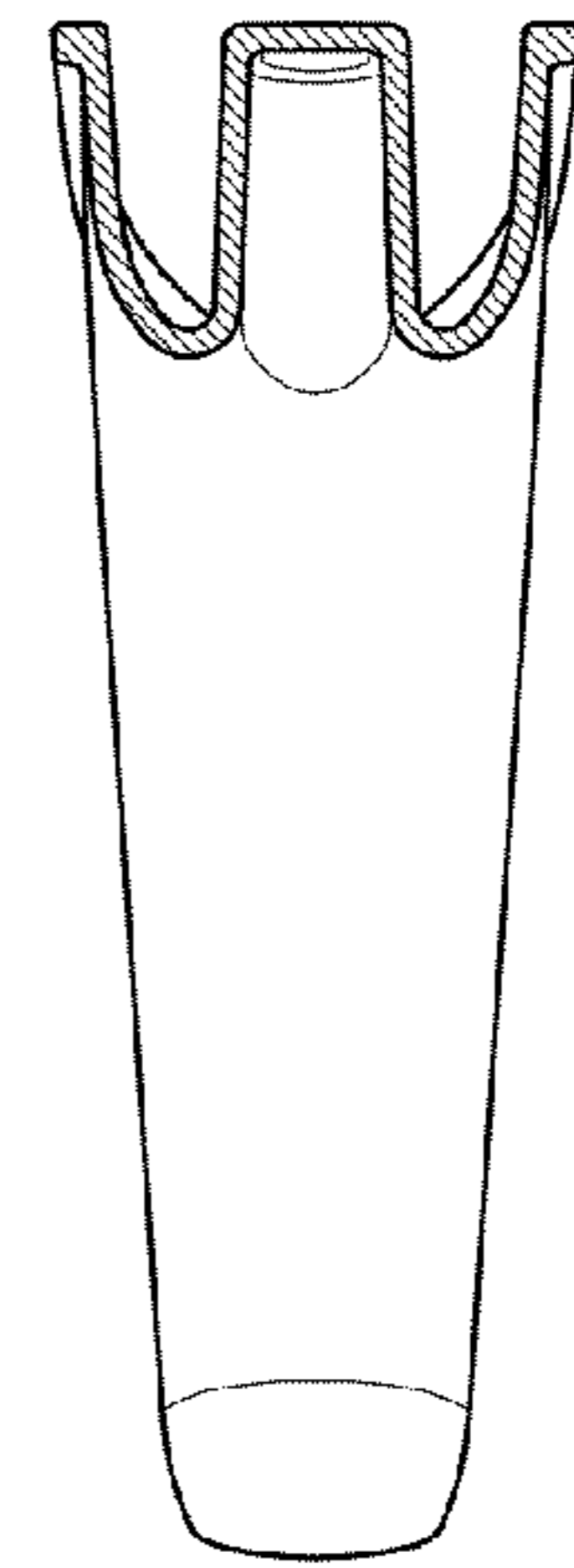


FIG. 9

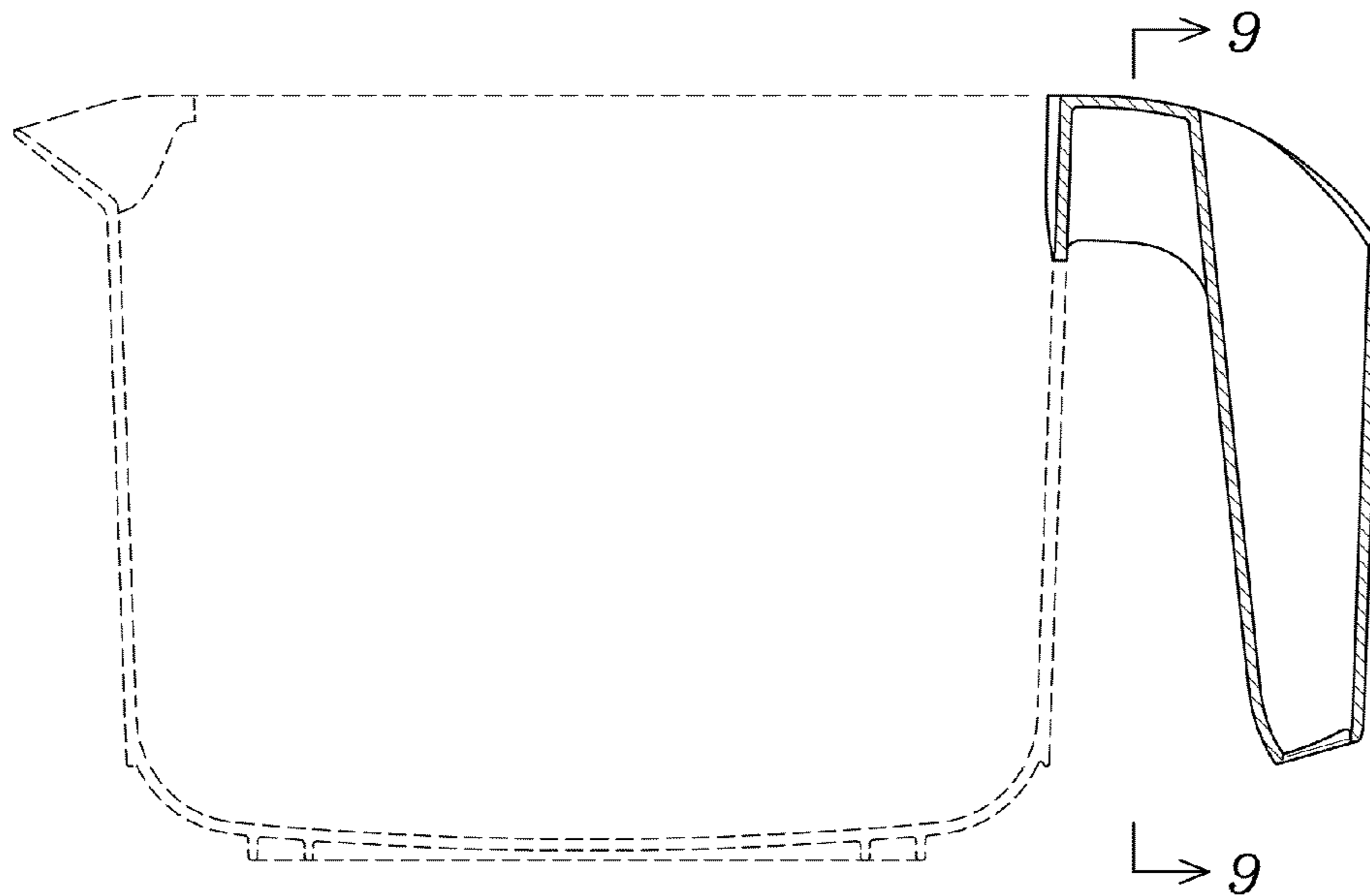


FIG. 8