



US00D753950S

(12) **United States Design Patent**
Feeley et al.

(10) **Patent No.:** **US D753,950 S**
(45) **Date of Patent:** **** Apr. 19, 2016**

(54) **SILICONE CUP LID**

(71) Applicant: **Silikids, Inc.**, Traverse City, MI (US)
(72) Inventors: **Stacey Feeley**, Traverse City, MI (US);
Giuliana Schwab, Studio City, CA (US)

(**) Term: **14 Years**

(21) Appl. No.: **29/520,159**

(22) Filed: **Mar. 11, 2015**

(51) **LOC (10) Cl.** **07-01**

(52) **U.S. Cl.**
USPC **D7/392.1; D7/396.2**

(58) **Field of Classification Search**

USPC D7/391, 392, 392.1, 396.2, 397, 509,
D7/510, 511, 512, 514, 620; D9/435, 436,
D9/440, 441, 442, 447, 451, 503, 504, 516,
D9/527, 552, 643, 666, 761; 215/212, 224,
215/329, 386, 387, 388, 392, 396;
220/254.8, 700, 703, 705, 710.5, 711,
220/715

CPC A47G 19/2272
See application file for complete search history.

(56) **References Cited**

U.S. PATENT DOCUMENTS

D241,875 S * 10/1976 Insalaco D11/164
5,425,471 A * 6/1995 Wendt B26D 7/1827
215/388
D371,276 S * 7/1996 Laib D7/388
D381,268 S * 7/1997 Rush D9/452
D431,458 S * 10/2000 Bried D3/203.2
D512,872 S * 12/2005 McMahon, III D7/392
D515,928 S * 2/2006 Pace D9/504
D562,684 S * 2/2008 Brashear D9/454
D581,809 S * 12/2008 Wichowski D9/504
D642,057 S * 7/2011 Reed D9/453
D661,544 S * 6/2012 Enghard D7/213
D711,249 S * 8/2014 Henriksson D9/504
D720,962 S * 1/2015 Coon D7/510

OTHER PUBLICATIONS

“Silikids Siliskin Straw Top”. Found online Nov. 10, 2015 at amazon.com. Page dated Jan. 18, 2015. Retrieved from http://www.amazon.com/Silikids-Siliskin-Straw-Fresh-Colors/dp/B00OU9D0KE/ref=cm_cr_pr_product_top?ie=UTF8.*

“Multi-Size 6 Silicone Lids Food and Bowl Covers”. Found online Nov. 10, 2015 at amazon.com. Page dated Aug. 20, 2015. Retrieved from http://www.amazon.com/Multi-Size-Silicone-Lids-Covers/dp/B013HHJUY4/ref=sr_1_46?s=kitchen&ie=UTF8&qid=1447187058&sr=1-46&keywords=SILICONE+CUP+LID.*

“Green Paxe Universal Cup Lid”. Found online Nov. 10, 2015 at amazon.com. Page dated Jul. 9, 2012. Retrieved from http://www.amazon.com/GreenPaxe-Universal-fits-many-glasses/dp/B0084GF5P2/ref=cm_cr_pr_product_top?ie=UTF8.*

* cited by examiner

Primary Examiner — Robert M Spear

Assistant Examiner — Kendra L Hamilton

(74) *Attorney, Agent, or Firm* — Richards Patent Law P.C.

(57) **CLAIM**

The ornamental design for a silicone cup lid, as shown and described.

DESCRIPTION

FIG. 1 is a top perspective view of a silicone cup lid, showing our new design positioned over the top of a cup;

FIG. 2 is a top plan view thereof;

FIG. 3 is a bottom plan view thereof;

FIG. 4 is a front elevational view thereof; and,

FIG. 5 is a back elevational view thereof.

The broken line showing of a cup in the drawings depicts unclaimed environmental subject matter; the broken lines in FIGS. 2 and 3 on the top surface of the lid depict boundaries of the claim. The broken lines form no part of the claim.

1 Claim, 3 Drawing Sheets

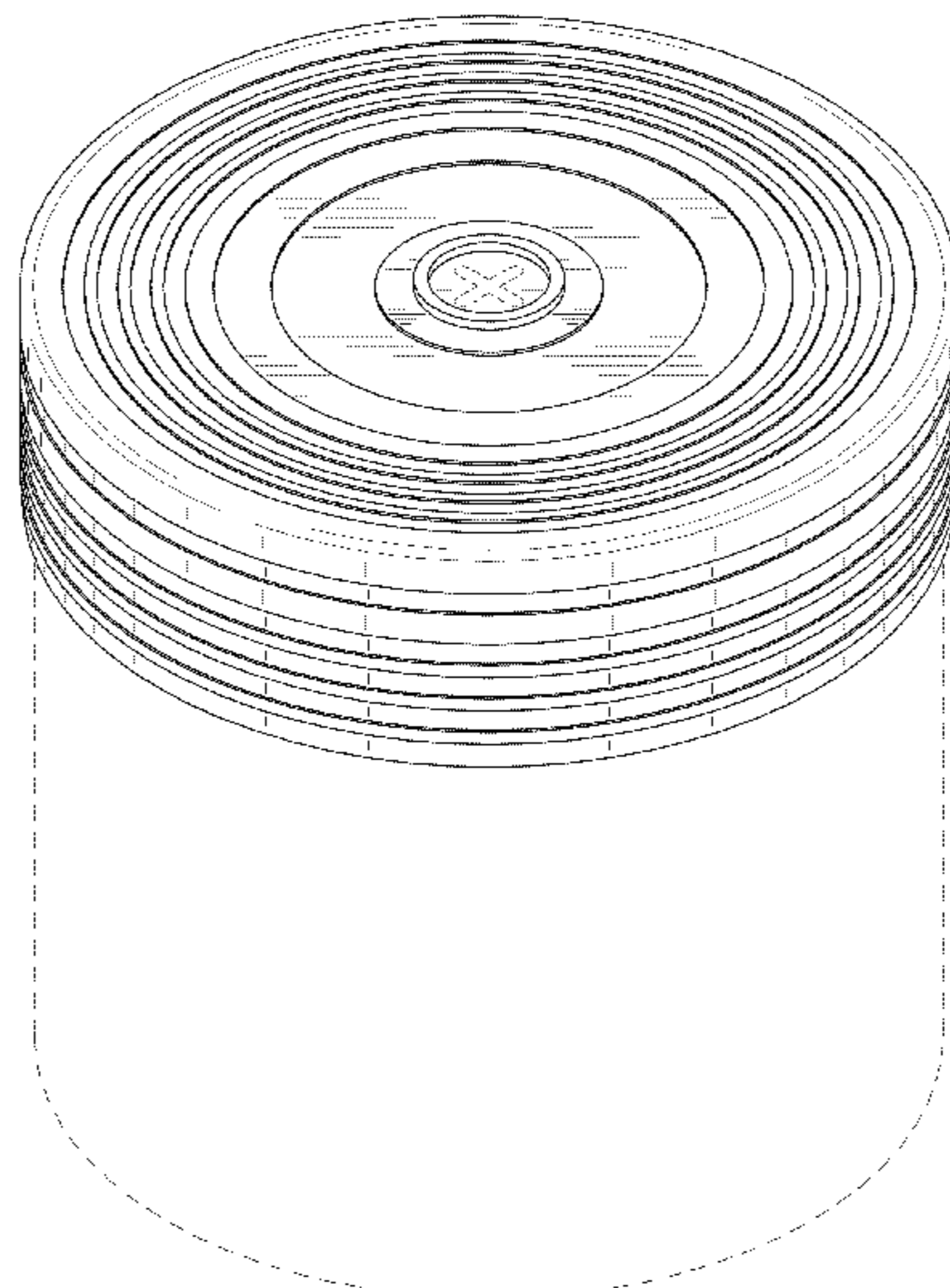


FIG. 1

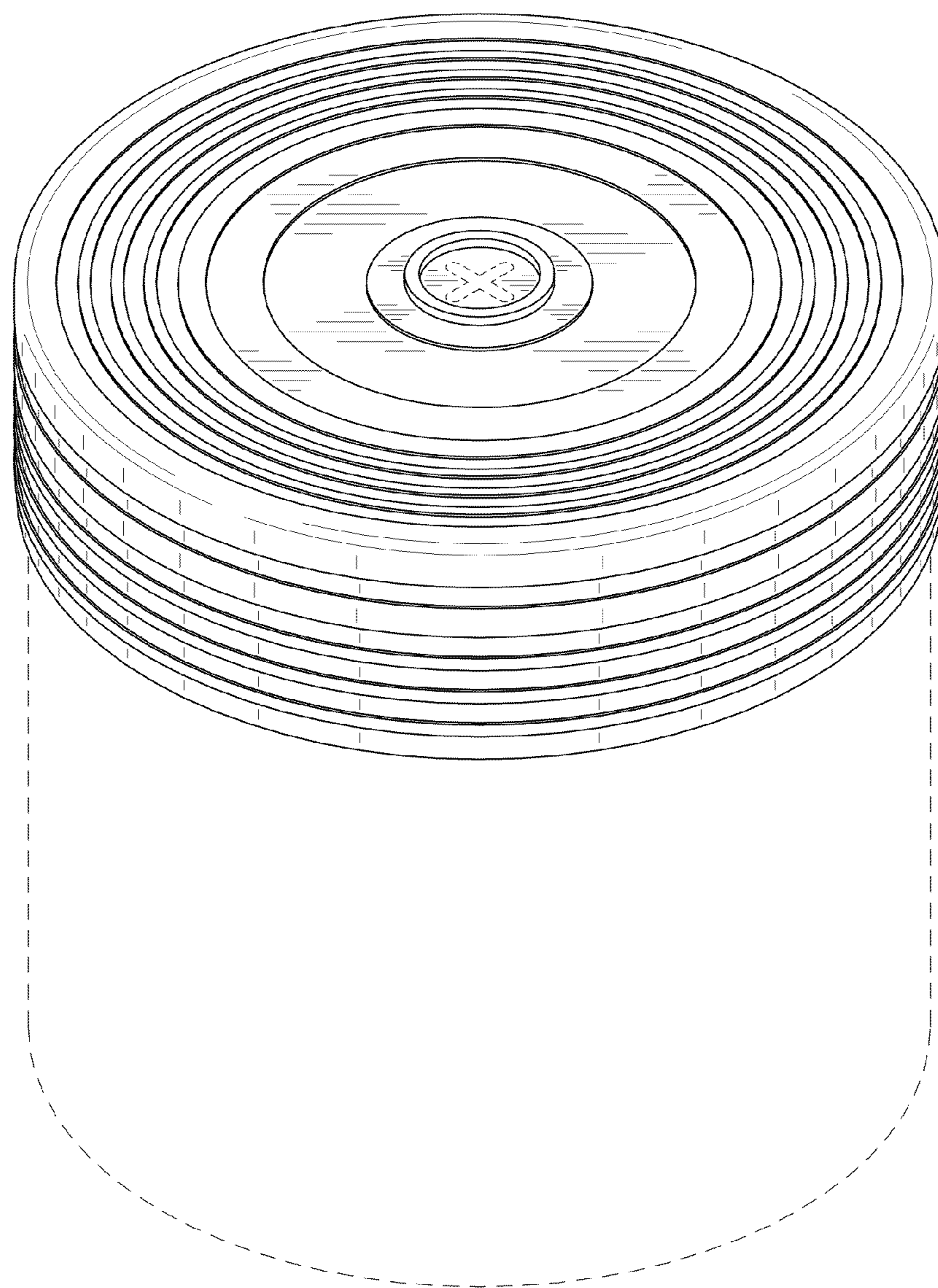


FIG. 2

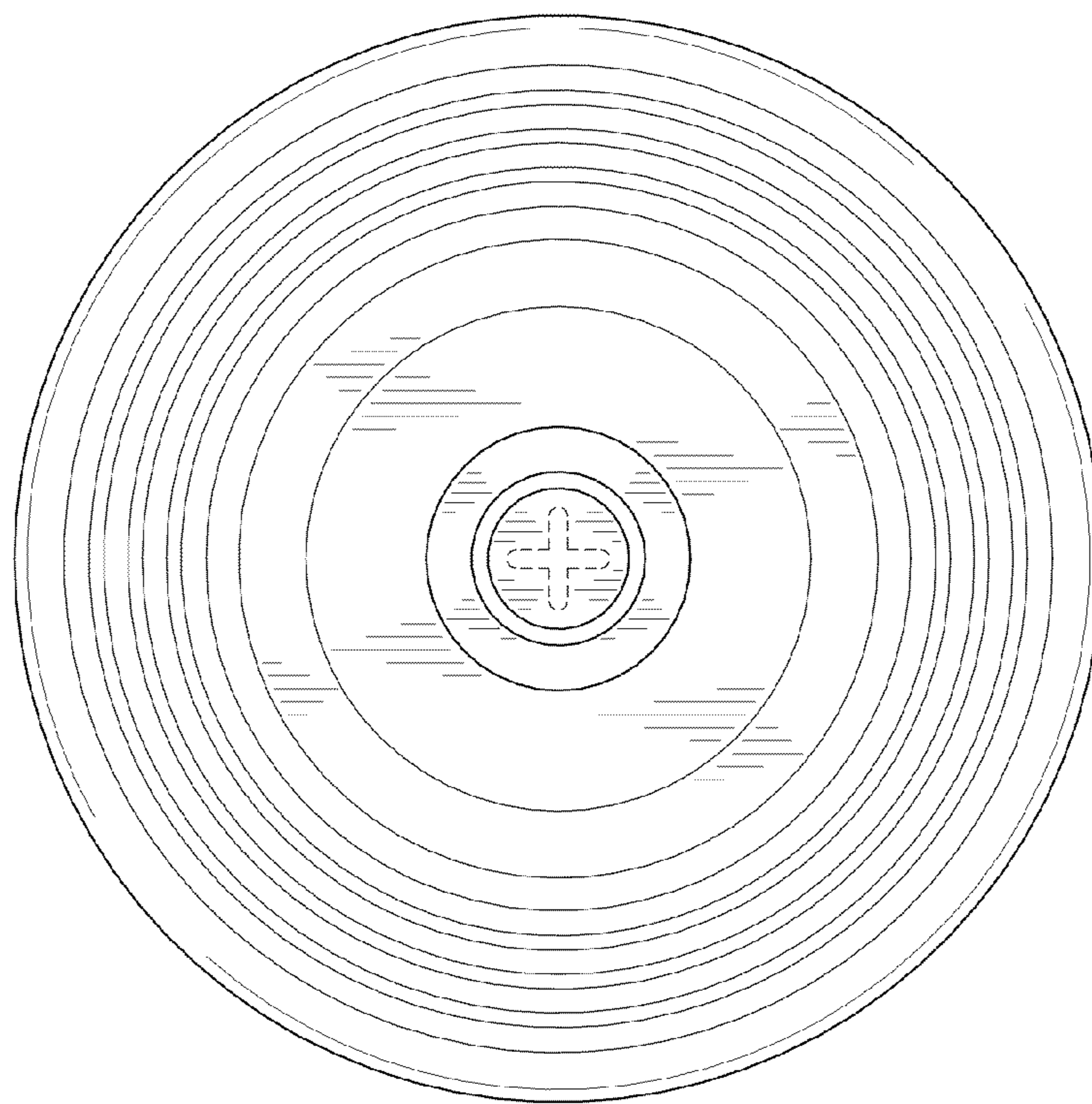


FIG. 3

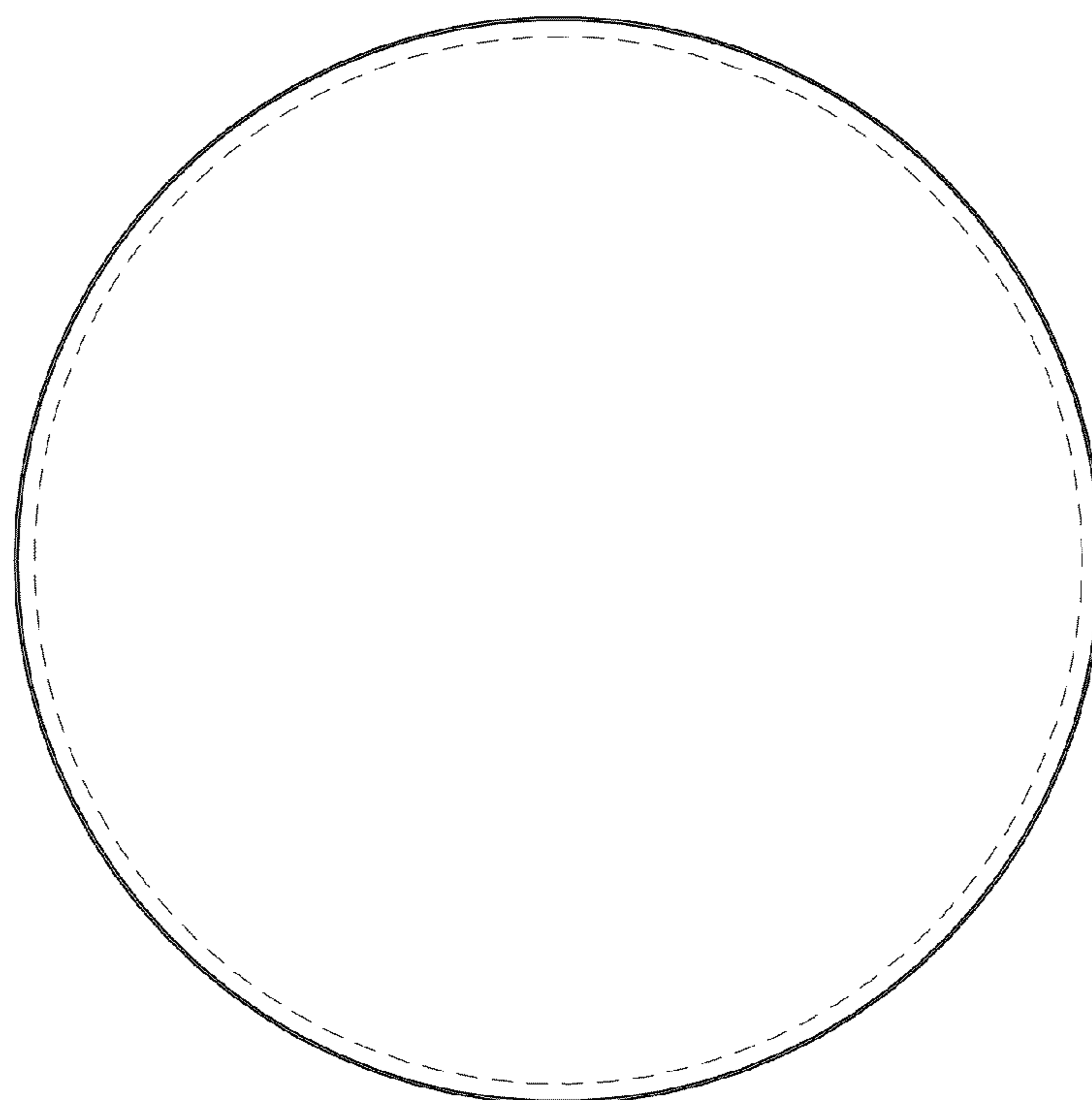


FIG. 4

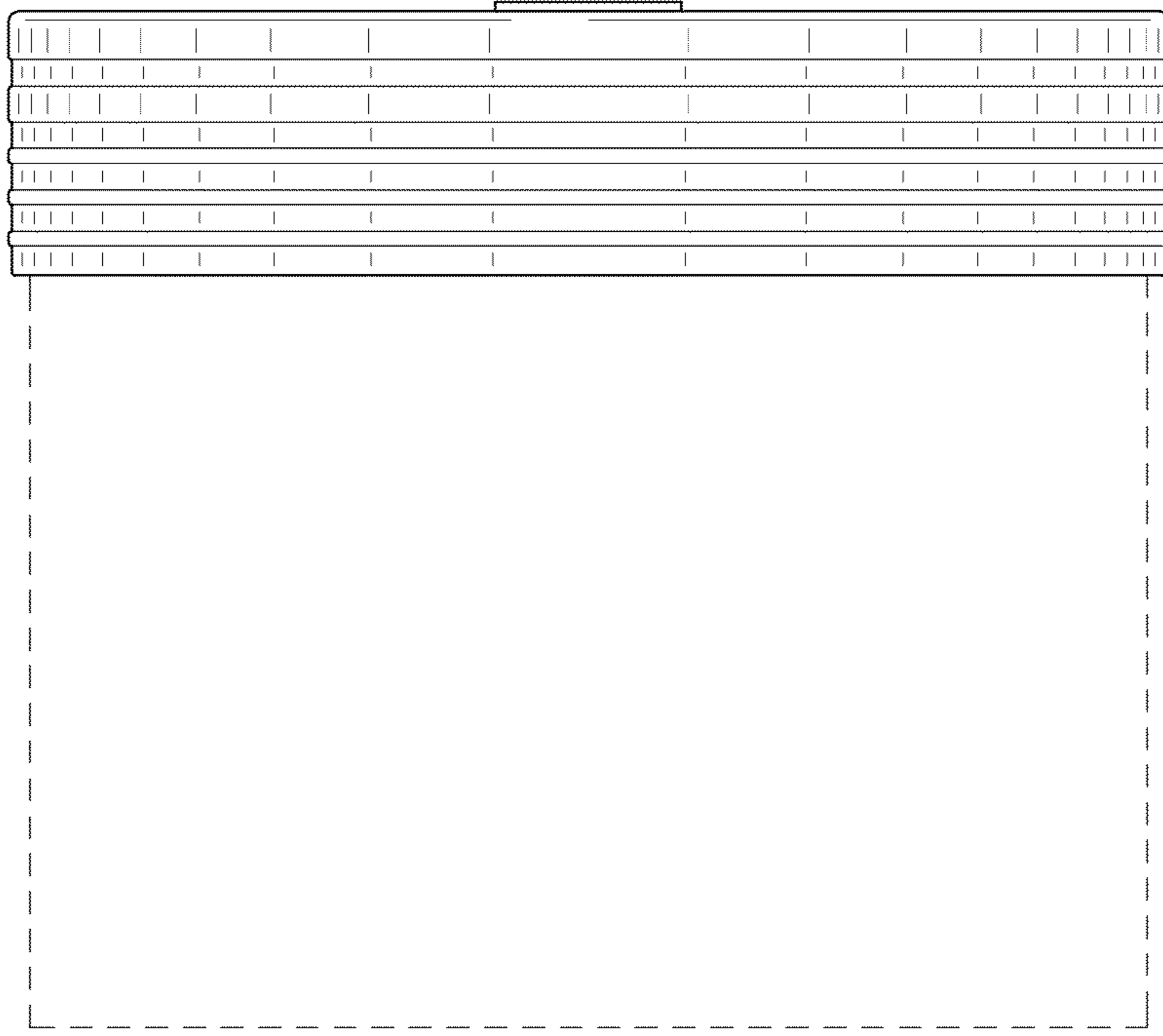


FIG. 5

