



US00D753949S

(12) **United States Design Patent**  
**Potter et al.**

(10) **Patent No.:** **US D753,949 S**  
(45) **Date of Patent:** **\*\* Apr. 19, 2016**

(54) **LID**

(71) Applicant: **SharkNinja Operating LLC**, Newton, MA (US)

(72) Inventors: **Daniel Stephen Potter**, Seabrook, NH (US); **Michael Joseph Smith**, Arlington, MA (US); **Devin Joseph Coakley**, Bellingham, MA (US); **Bryan deBlois**, Canton, CT (US)

(73) Assignee: **SharkNinja Operating LLC**, Newton, MA (US)

(\*\*) Term: **14 Years**

(21) Appl. No.: **29/496,430**

(22) Filed: **Jul. 11, 2014**

(51) **LOC (10) Cl.** ..... **07-02**

(52) **U.S. Cl.**  
USPC ..... **D7/391; D7/376; D7/378; D7/412; D7/413**

(58) **Field of Classification Search**  
USPC ..... D7/372, 376–386, 412–413, 602, 629, D7/665–666, 669, 679, 693–694  
CPC ..... A21C 1/02; A21C 1/04; A23N 1/00; A23N 1/02; A47J 43/04; A47J 43/25; A47J 43/27; A47J 43/042; A47J 43/044; A47J 43/046; A47J 43/075; A47J 43/0722; A47J 43/0727; B01F 3/00; B01F 3/0807; B01F 3/0853; B01F 13/0059; B01F 13/0064; B02C 1/08; B02C 2/04; B02C 4/42; B02C 4/142; B02C 4/143; B02C 4/423; B02C 13/1835; B28C 5/10; B28C 5/12; B28C 5/14; B28C 5/16; C02F 1/003

See application file for complete search history.

(56) **References Cited**

U.S. PATENT DOCUMENTS

4,087,053	A *	5/1978	Voglesonger	.....	A47J 43/046 241/282.1
D336,590	S *	6/1993	Barnard	.....	D7/376
5,225,078	A *	7/1993	Polasky	.....	C02F 1/003 210/264
6,666,574	B1 *	12/2003	Pryor	.....	A47J 43/0722 241/282.1
D495,925	S *	9/2004	Ulanski	.....	D7/412
D578,340	S *	10/2008	Picozza	.....	D7/378
D616,244	S *	5/2010	Thai	.....	D7/378
D618,049	S *	6/2010	Wu	.....	D7/376
7,753,223	B2 *	7/2010	Boozer	.....	A47J 43/0727 220/254.7
D637,864	S *	5/2011	Wu	.....	D7/376
D642,858	S *	8/2011	Lazzer	.....	D7/376
D664,808	S *	8/2012	Dickson, Jr.	.....	D7/376
D731,235	S *	6/2015	Bradley	.....	D7/376

\* cited by examiner

*Primary Examiner* — Ricky Pham

(74) *Attorney, Agent, or Firm* — Cantor Colburn LLP

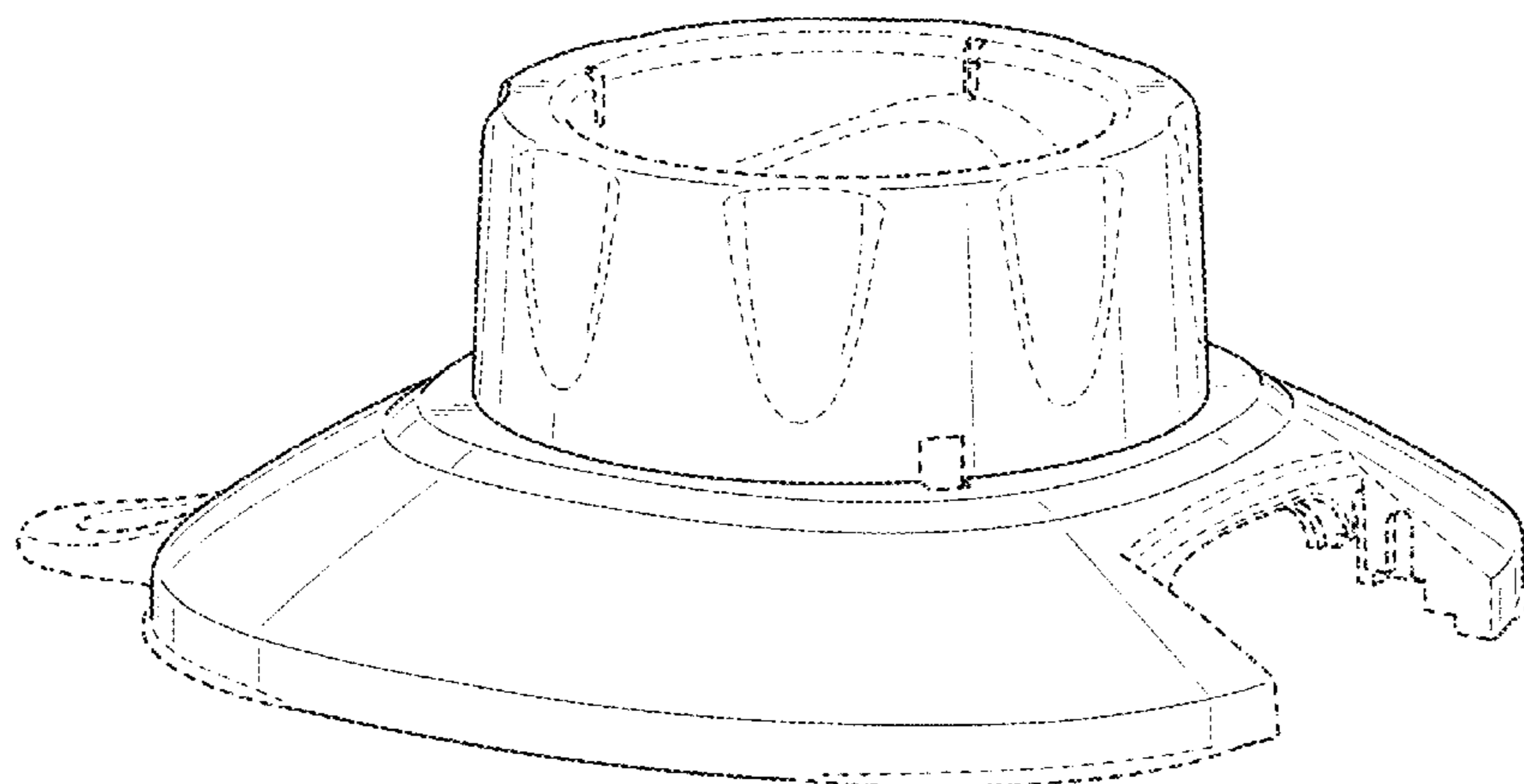
(57) **CLAIM**

The ornamental design for a lid, as shown and described.

**DESCRIPTION**

FIG. 1 is a top, front, left side perspective view of a lid showing our new design;  
FIG. 2 is a front elevational view thereof;  
FIG. 3 is a rear elevational view thereof;  
FIG. 4 is a left side elevational view thereof;  
FIG. 5 is a right side elevational view thereof;  
FIG. 6 is a top plan view thereof; and,  
FIG. 7 is a bottom plan view thereof.  
The broken lines of FIGS. 1-7 represent unclaimed portions of the lid and form no part of the claimed design.

**1 Claim, 7 Drawing Sheets**



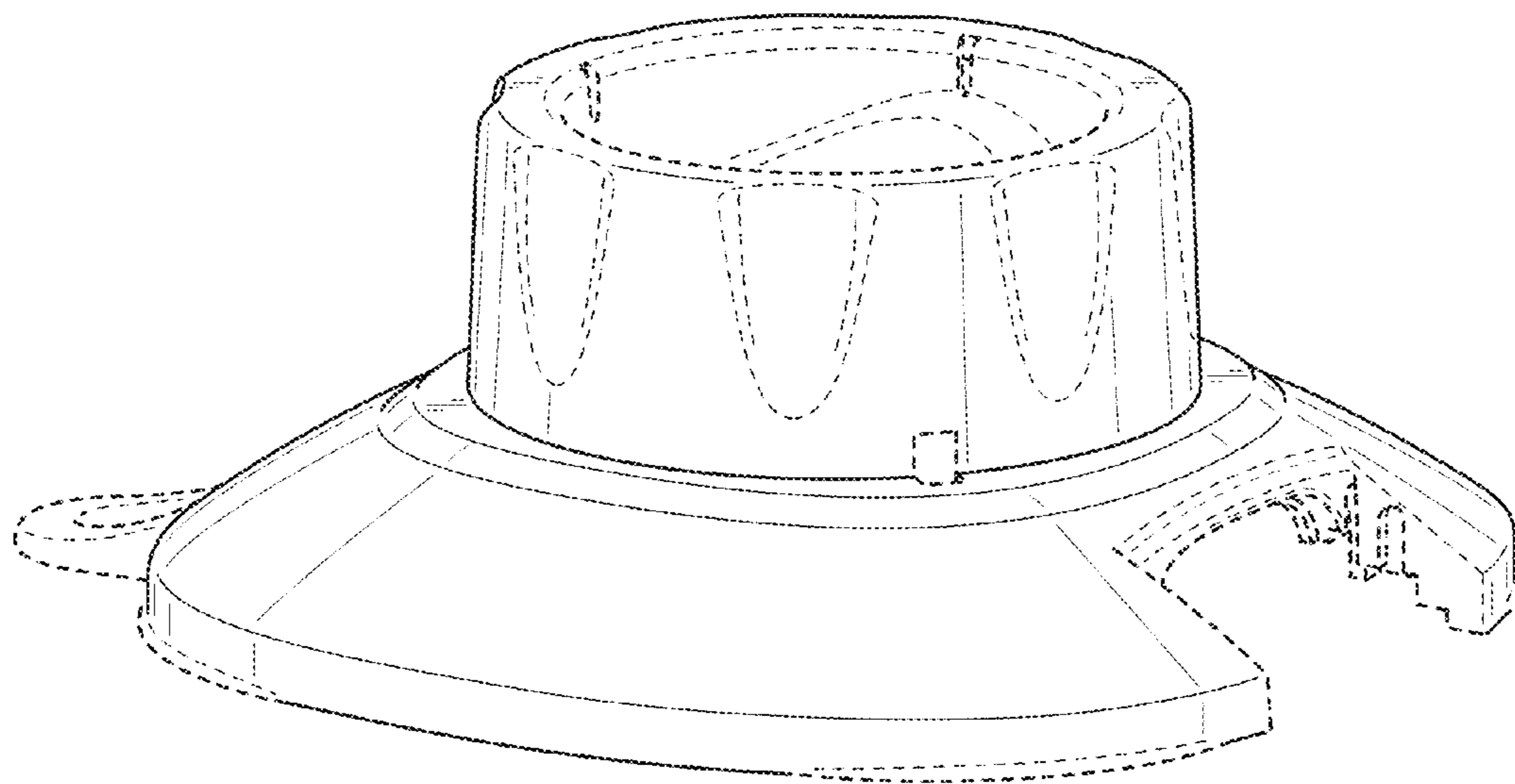


FIG. 1

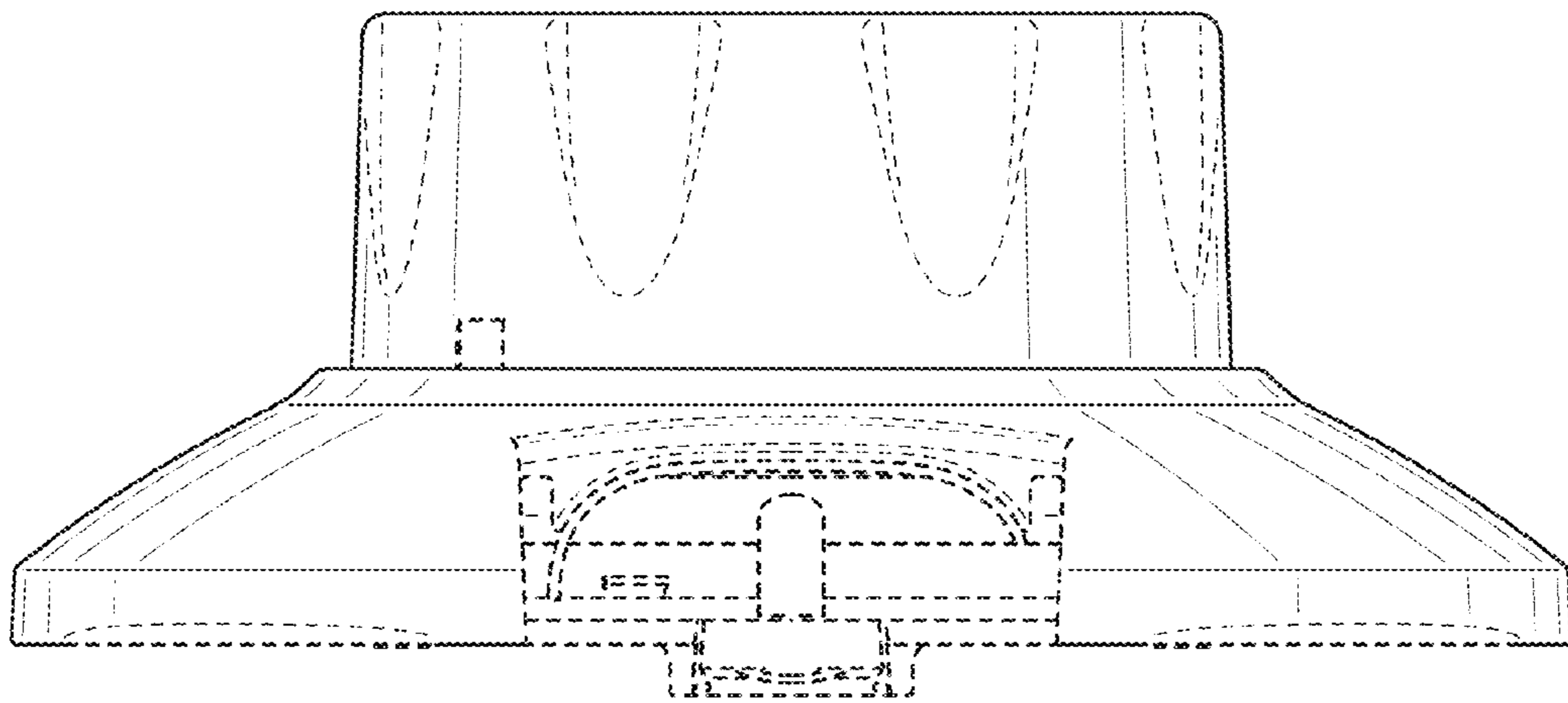


FIG. 2

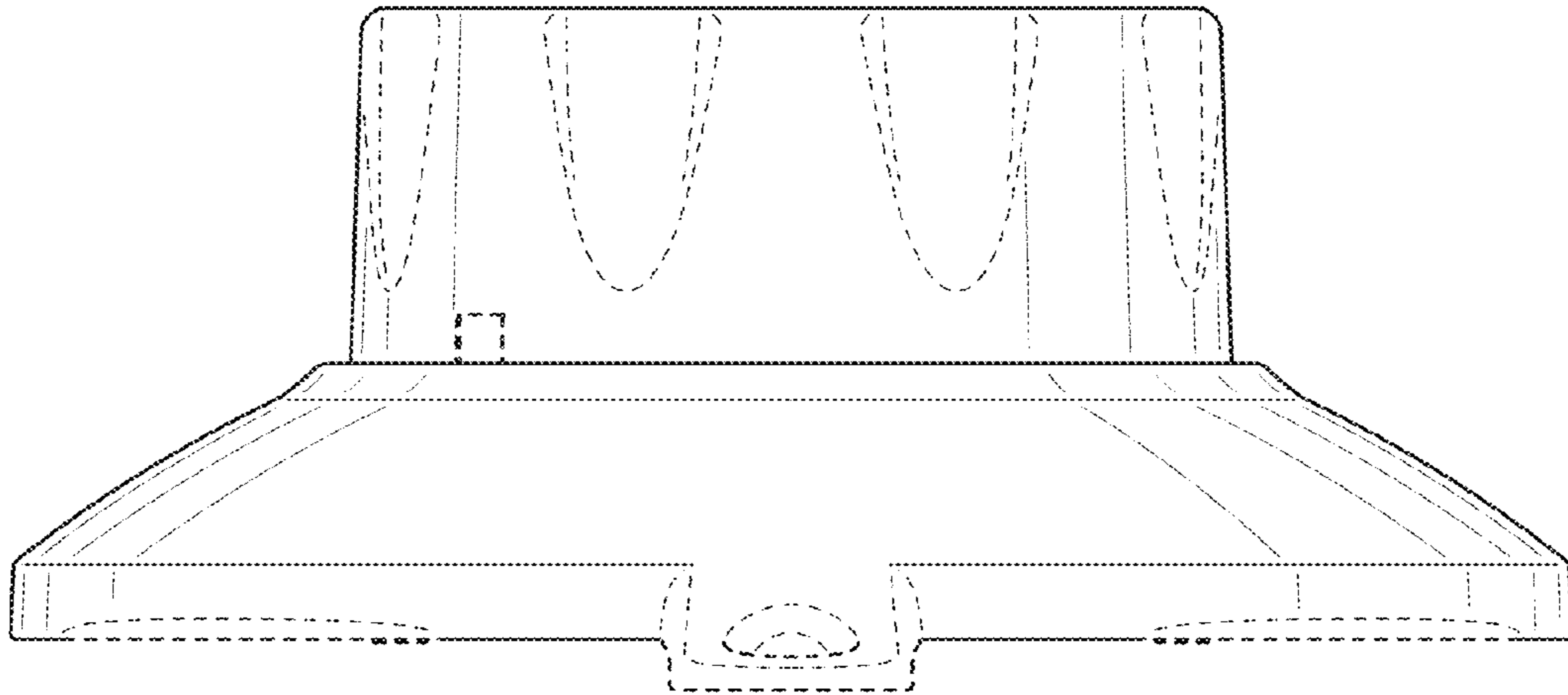


FIG. 3

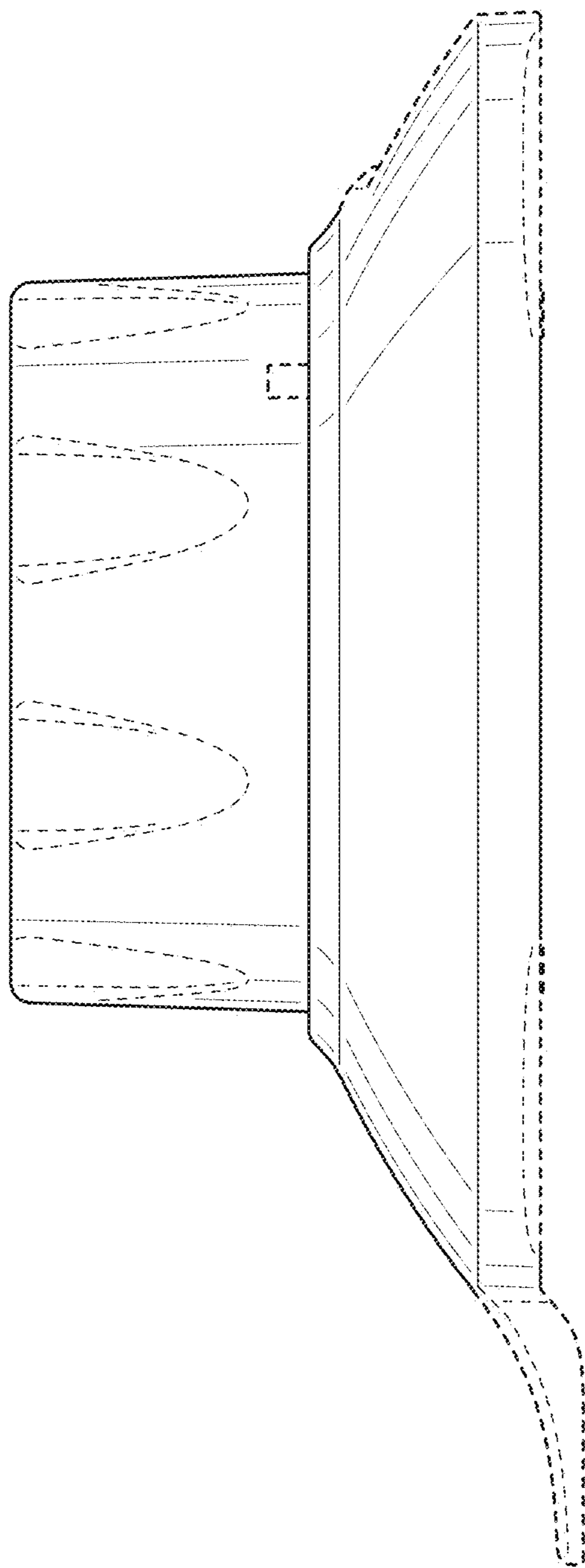


FIG. 4

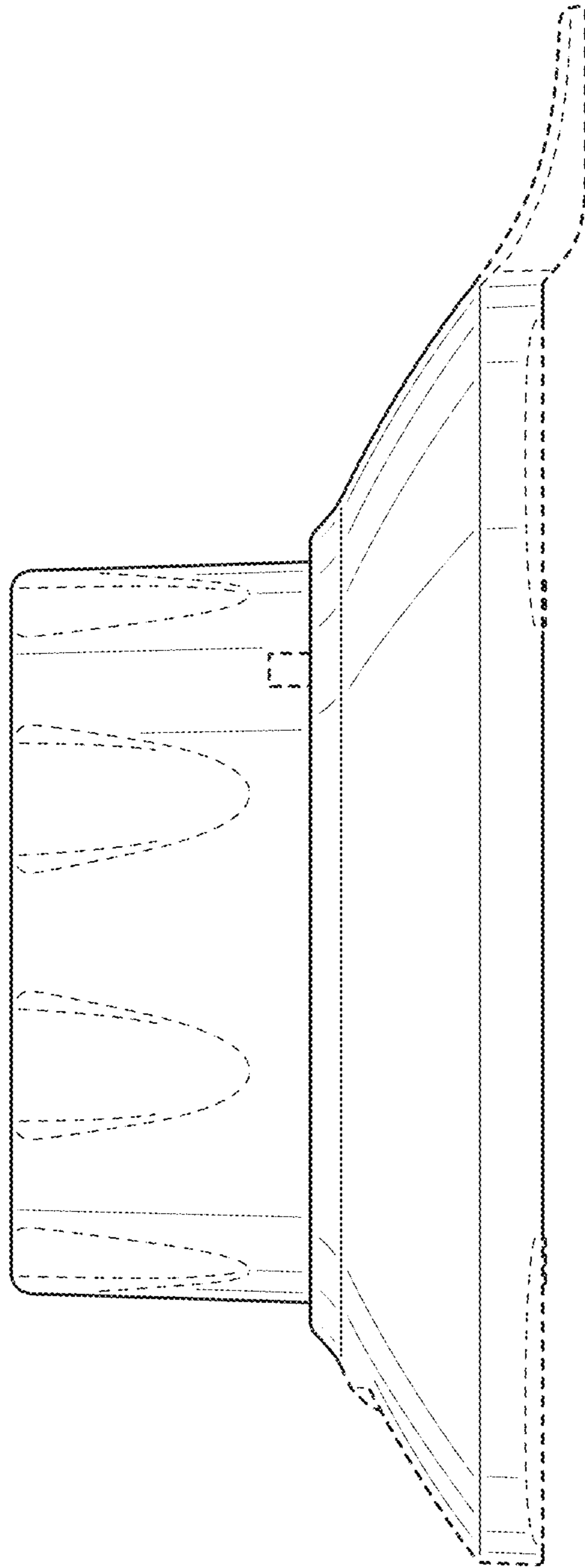


FIG. 5



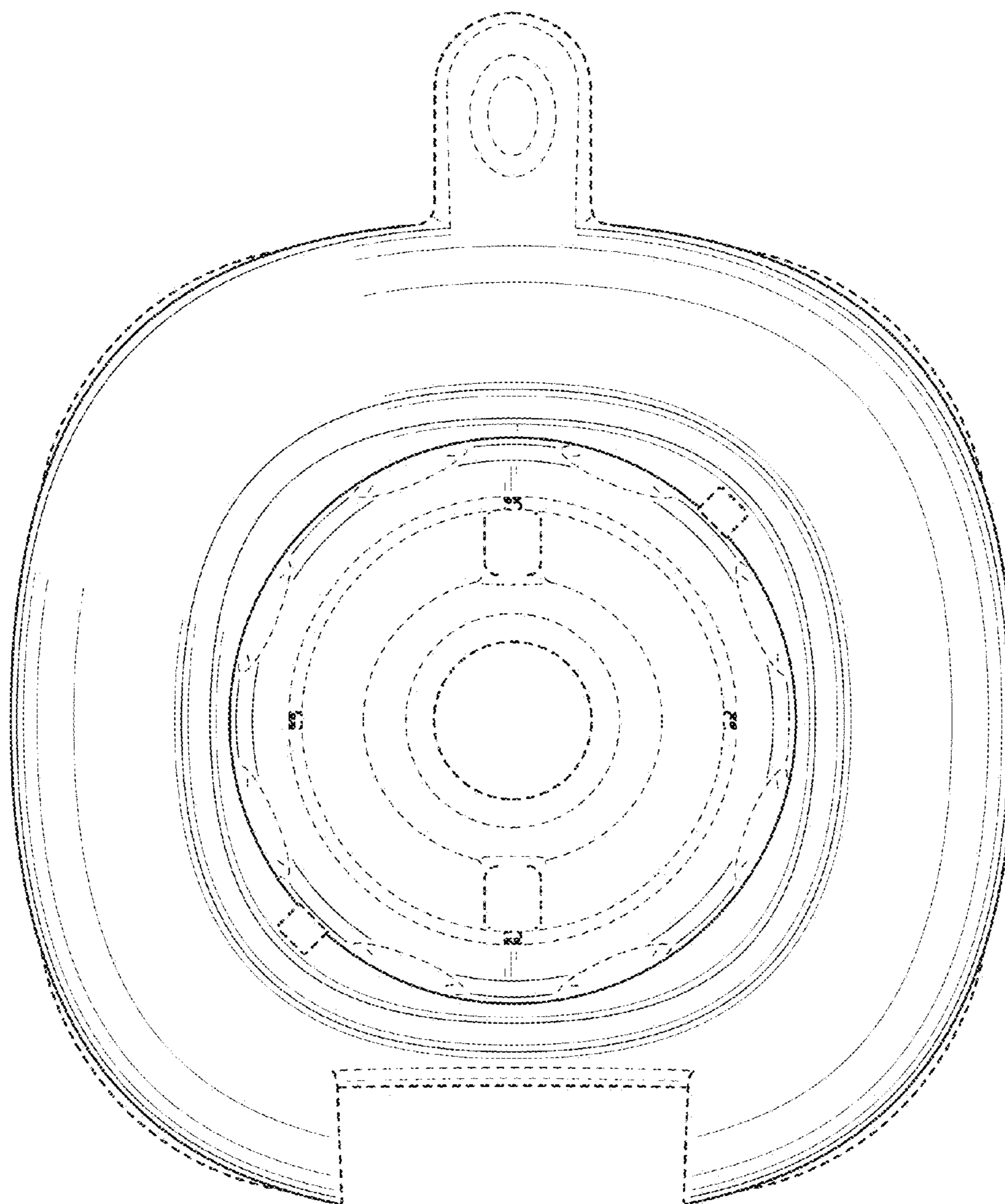


FIG. 6

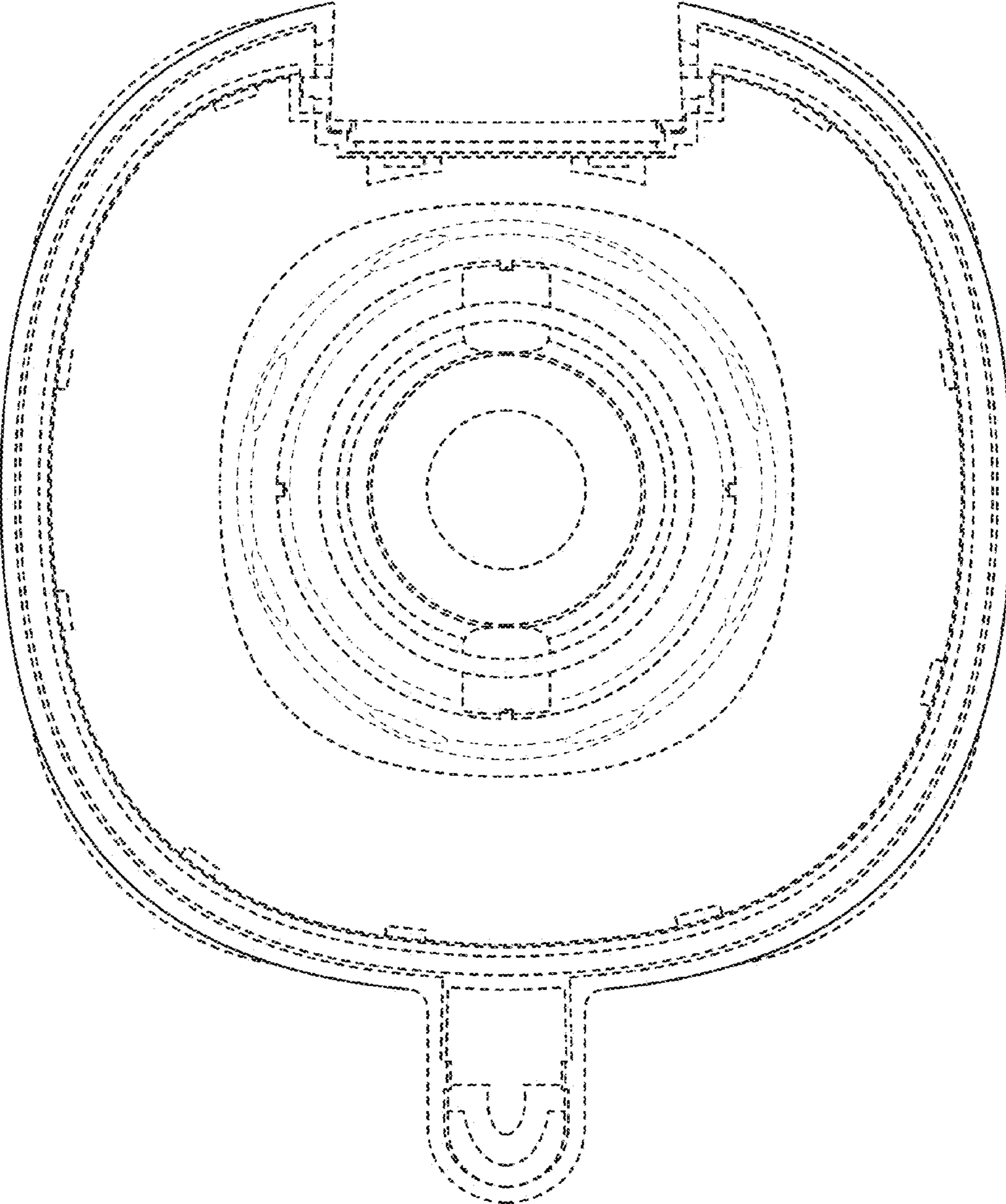


FIG. 7