



US00D753946S

(12) **United States Design Patent**
Frye

(10) **Patent No.:** **US D753,946 S**
(45) **Date of Patent:** **** Apr. 19, 2016**

(54) **CHAIR**

(71) Applicant: **T. Allen Frye**, Heflin, LA (US)

(72) Inventor: **T. Allen Frye**, Heflin, LA (US)

(**) Term: **14 Years**

(21) Appl. No.: **29/514,095**

(22) Filed: **Jan. 8, 2015**

Related U.S. Application Data

(62) Division of application No. 29/451,375, filed on Apr. 1, 2013, now abandoned.

(51) **LOC (10) Cl.** **06-01**

(52) **U.S. Cl.**
USPC **D6/716.1**

(58) **Field of Classification Search**
USPC D6/335, 336, 337, 338, 640, 643, 643.1,
D6/644, 406.1, 406.2, 406.3, 356, 334,
D6/381, 716.1, 354, 355, 366, 716;
D12/318, 345; D25/16
CPC A47C 17/00; A47C 17/02; A47C 17/12;
A47C 17/18; A47C 7/021; A47C 31/00;
A47C 3/16

See application file for complete search history.

(56) **References Cited**

U.S. PATENT DOCUMENTS

D86,132	S	*	2/1932	Kanter	D6/486
D93,968	S	*	12/1934	Brower	D6/486
3,083,052	A	*	3/1963	Thorson	297/140
D237,564	S	*	11/1975	Laylon	D6/692.3
5,425,313	A	*	6/1995	Rowan	108/65
D367,184	S	*	2/1996	Tolefson	D6/337
D442,073	S	*	5/2001	Lyndon	D8/367
D523,251	S	*	6/2006	Parpala	D6/352
D557,909	S	*	12/2007	LaSorsa	D6/349
D683,975	S	*	6/2013	Starck	D6/349
D721,526	S	*	1/2015	Bosman	D6/692.3

* cited by examiner

Primary Examiner — Sandra Snapp

(74) *Attorney, Agent, or Firm* — R. Keith Harrison

(57) **CLAIM**

The ornamental design for a chair, as shown and described.

DESCRIPTION

FIG. 1 is a front view of the chair, with portions of an outboard motor shown in dashed lines and which portions of an outboard motor do not form a part of the claimed design;

FIG. 2 is a rear view of the chair, with portions of an outboard motor shown in dashed lines and which portions of an outboard motor do not form a part of the claimed design;

FIG. 3 is a left side view of the chair, with portions of an outboard motor shown in dashed lines and which portions of an outboard motor do not form a part of the claimed design;

FIG. 4 is a right side view of the chair, with portions of an outboard motor shown in dashed lines and which portions of an outboard motor do not form a part of the claimed design;

FIG. 5 is a top view of the chair, with a portion of an outboard motor shown in dashed lines and which portion of an outboard motor does not form a part of the claimed design;

FIG. 6 is a bottom view of the chair, with portions of an outboard motor shown in dashed lines and which portions of an outboard motor do not form a part of the claimed design;

FIG. 7 is a left side view of another embodiment of the chair, with portions of an outboard motor shown in dashed lines and which portions of an outboard motor do not form a part of the claimed design;

FIG. 8 is a right side view of the chair illustrated in FIG. 7, with portions of an outboard motor shown in dashed lines and which portions of an outboard motor do not form a part of the claimed design;

FIG. 9 is a front view of the chair illustrated in FIG. 7, with portions of an outboard motor shown in dashed lines and which portions of an outboard motor do not form a part of the claimed design;

FIG. 10 is a rear view of the chair illustrated in FIG. 7, with portions of an outboard motor shown in dashed lines and which portions of an outboard motor do not form a part of the claimed design;

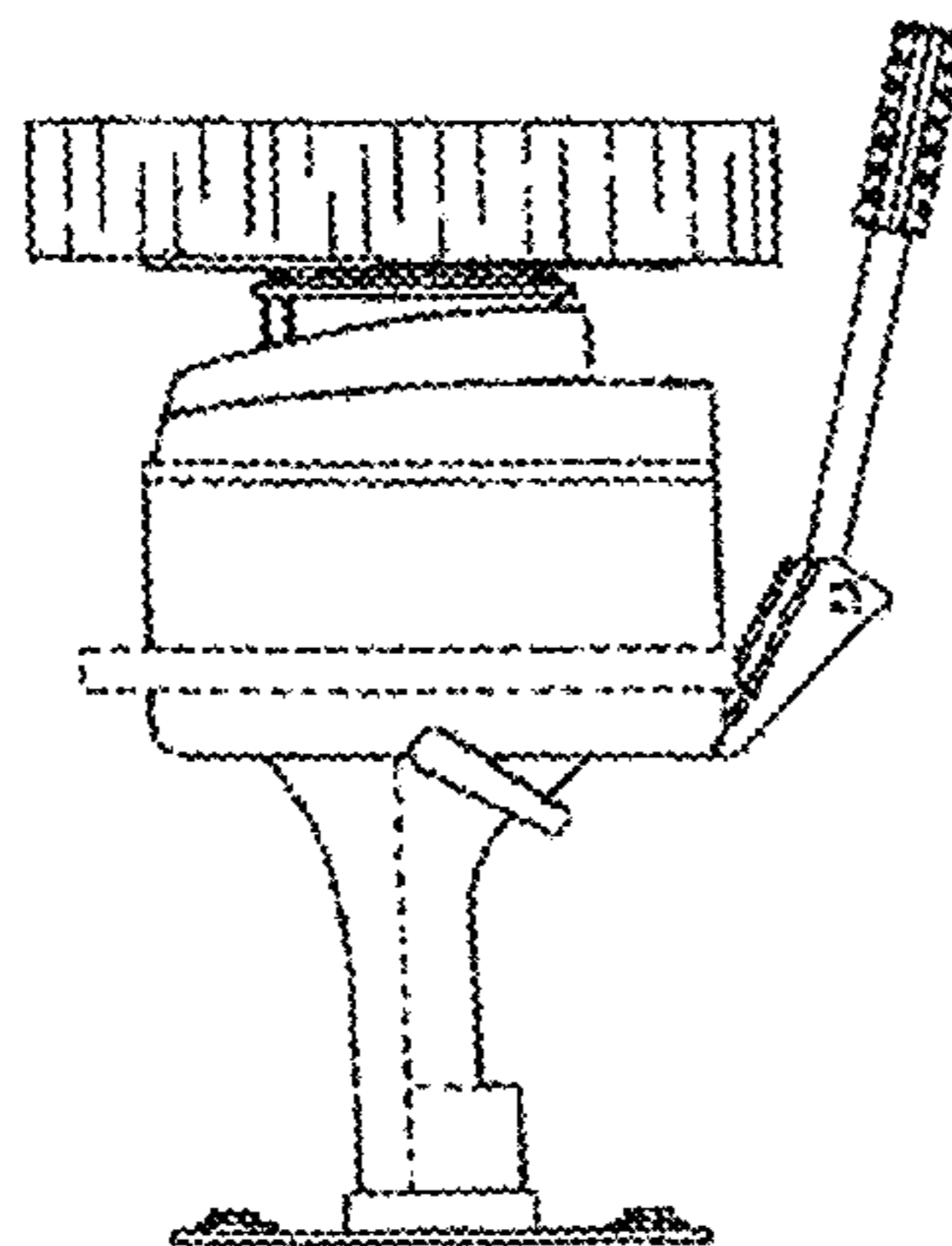


FIG. 11 is a top view of the chair illustrated in FIG. 7, with a portion of an outboard motor shown in dashed lines and which portion of an outboard motor does not form a part of the claimed design;

FIG. 12 is a bottom view of the chair illustrated in FIG. 7, with a portion of an outboard motor shown in dashed lines and which portion of an outboard motor does not form a part of the claimed design;

FIG. 13 is a front view of another embodiment of the chair, with portions of an outboard motor shown in dashed lines and which portions of an outboard motor do not form a part of the claimed design;

FIG. 14 is a rear view of the chair illustrated in FIG. 13, with portions of an outboard motor shown in dashed lines and which portions of an outboard motor do not form a part of the claimed design;

FIG. 15 is a left side view of the chair illustrated in FIG. 13, with portions of an outboard motor shown in dashed lines and which portions of an outboard motor do not form a part of the claimed design;

FIG. 16 is a right side view of the chair illustrated in FIG. 13, with portions of an outboard motor shown in dashed lines and which portions of an outboard motor do not form a part of the claimed design;

FIG. 17 is a top view of the chair illustrated in FIG. 13, with a portion of an outboard motor shown in dashed lines and which portion of an outboard motor does not form a part of the claimed design; and,

FIG. 18 is a bottom view of the chair illustrated in FIG. 13, with portions of an outboard motor shown in dashed lines and which portions of an outboard motor do not form a part of the claimed design.

The drawing disclosure of this application includes broken line depictions of portions of an outboard motor, which portions of an outdoor motor do not form parts of the claimed design.

1 Claim, 7 Drawing Sheets

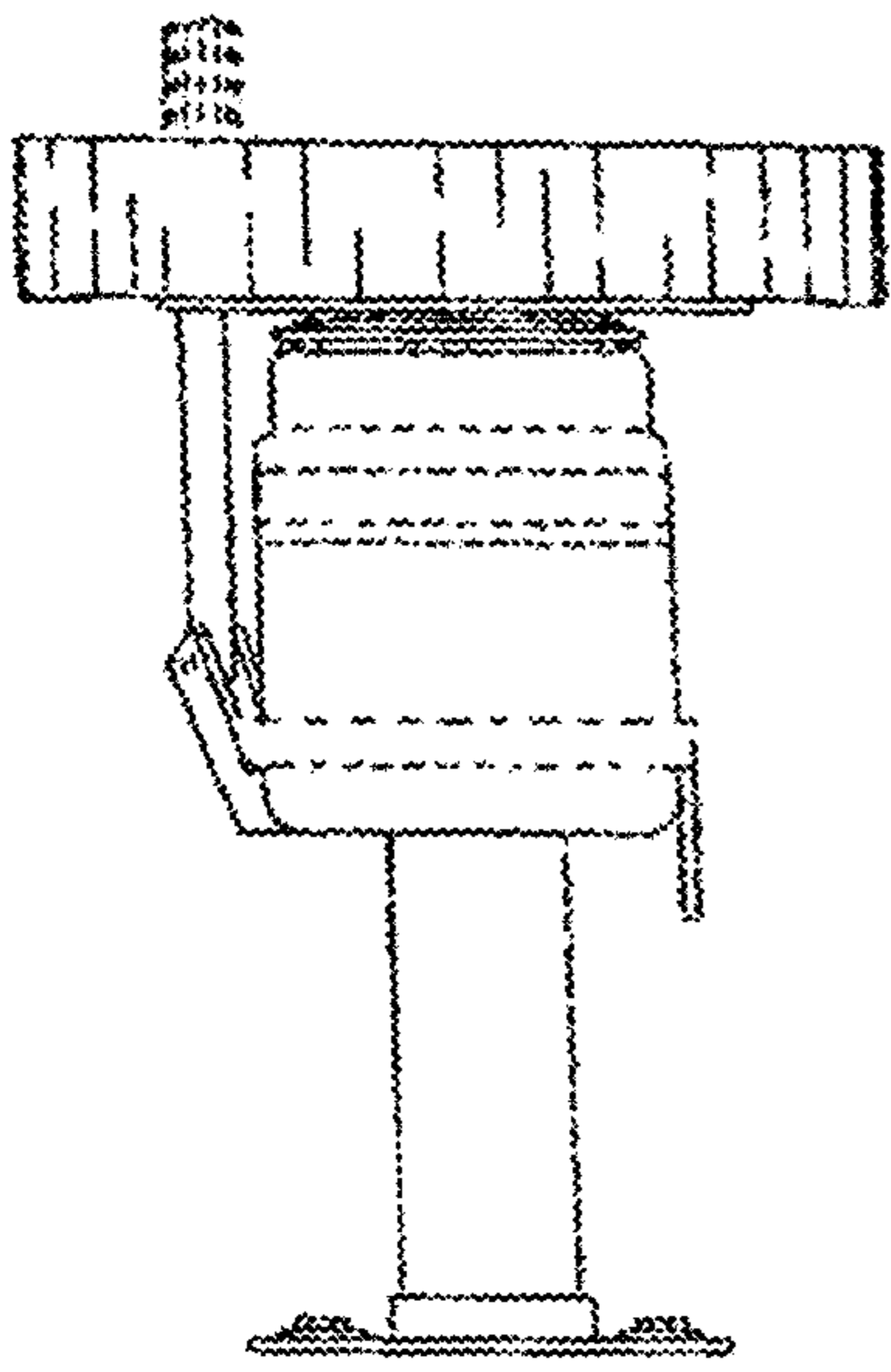


FIG. 1

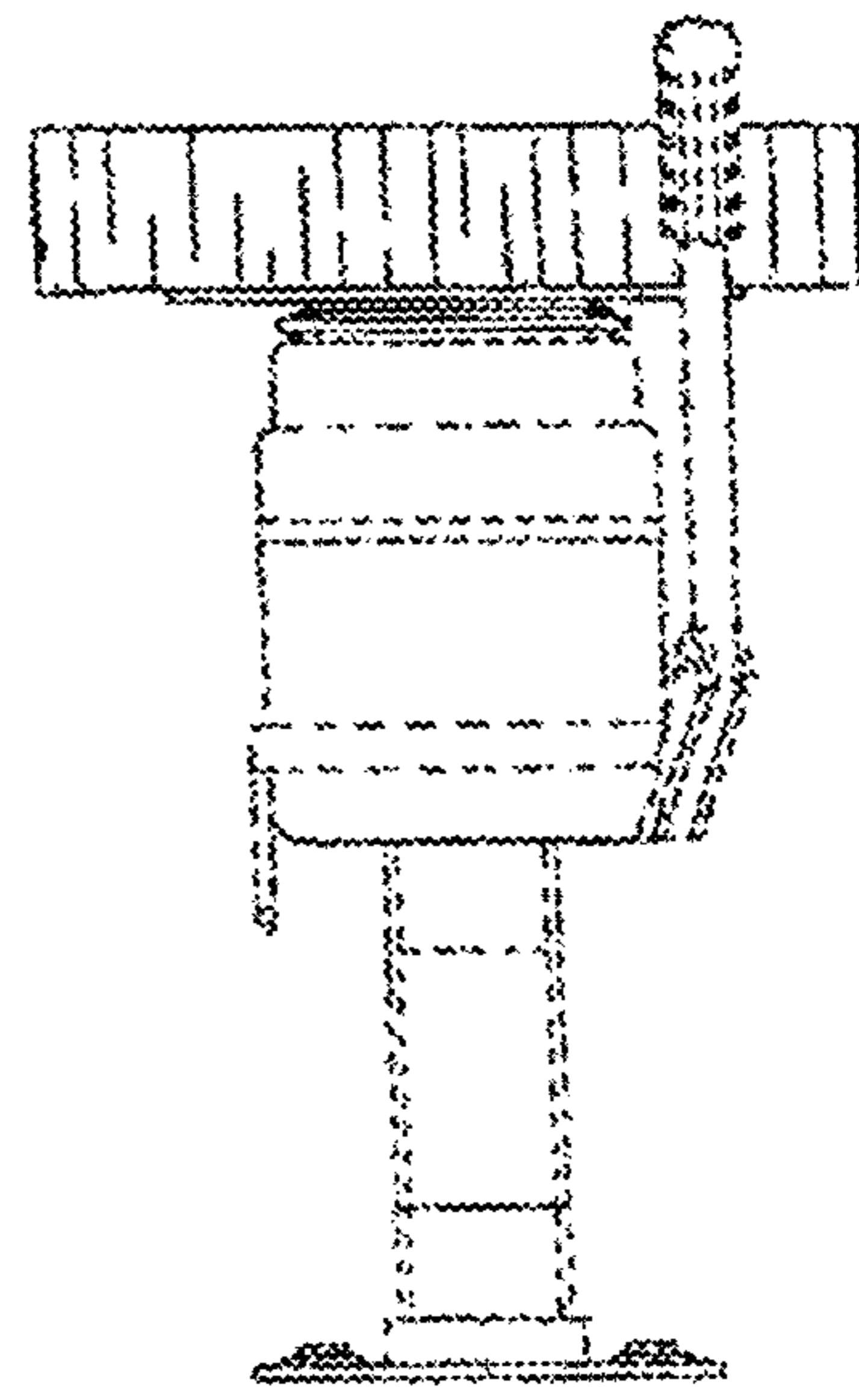


FIG. 2

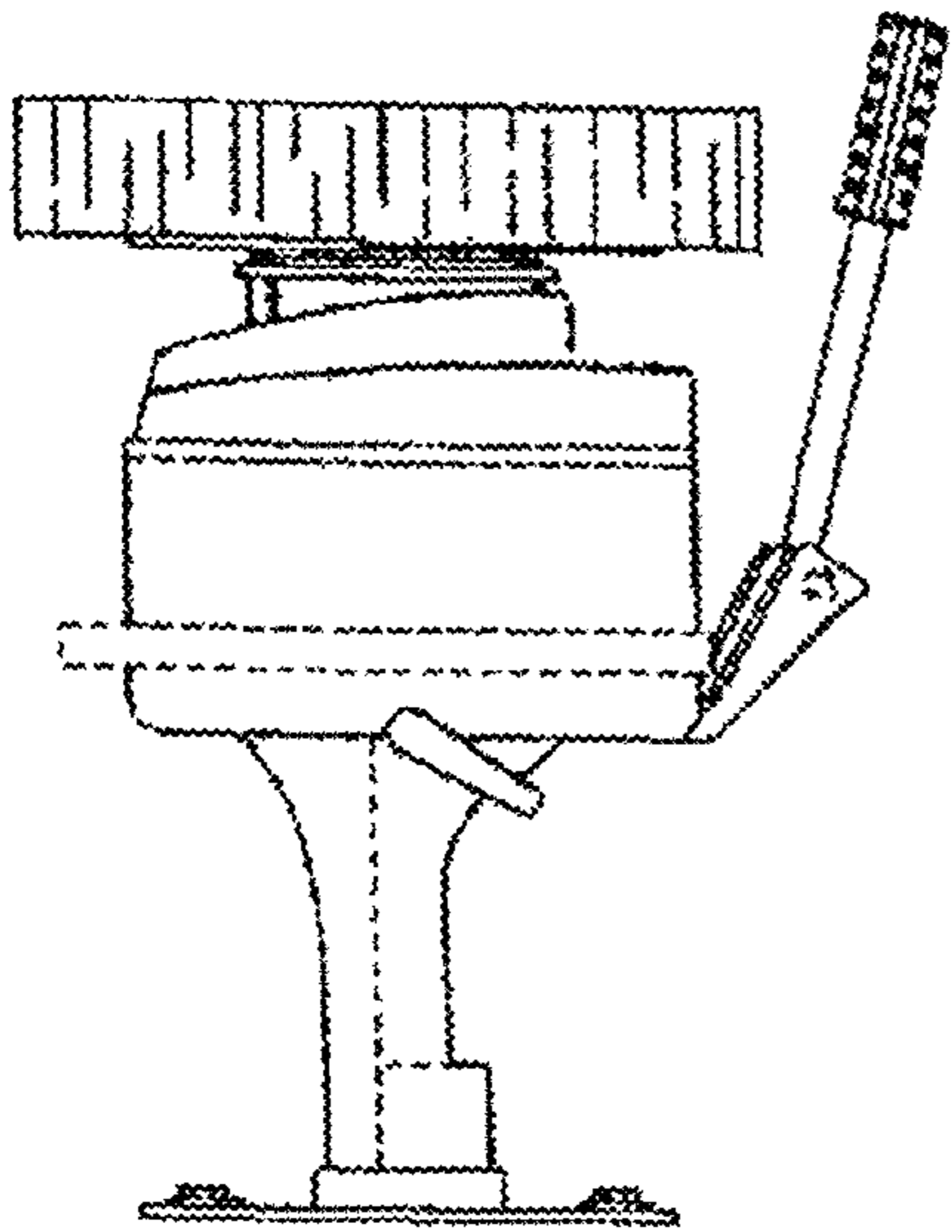


FIG. 3

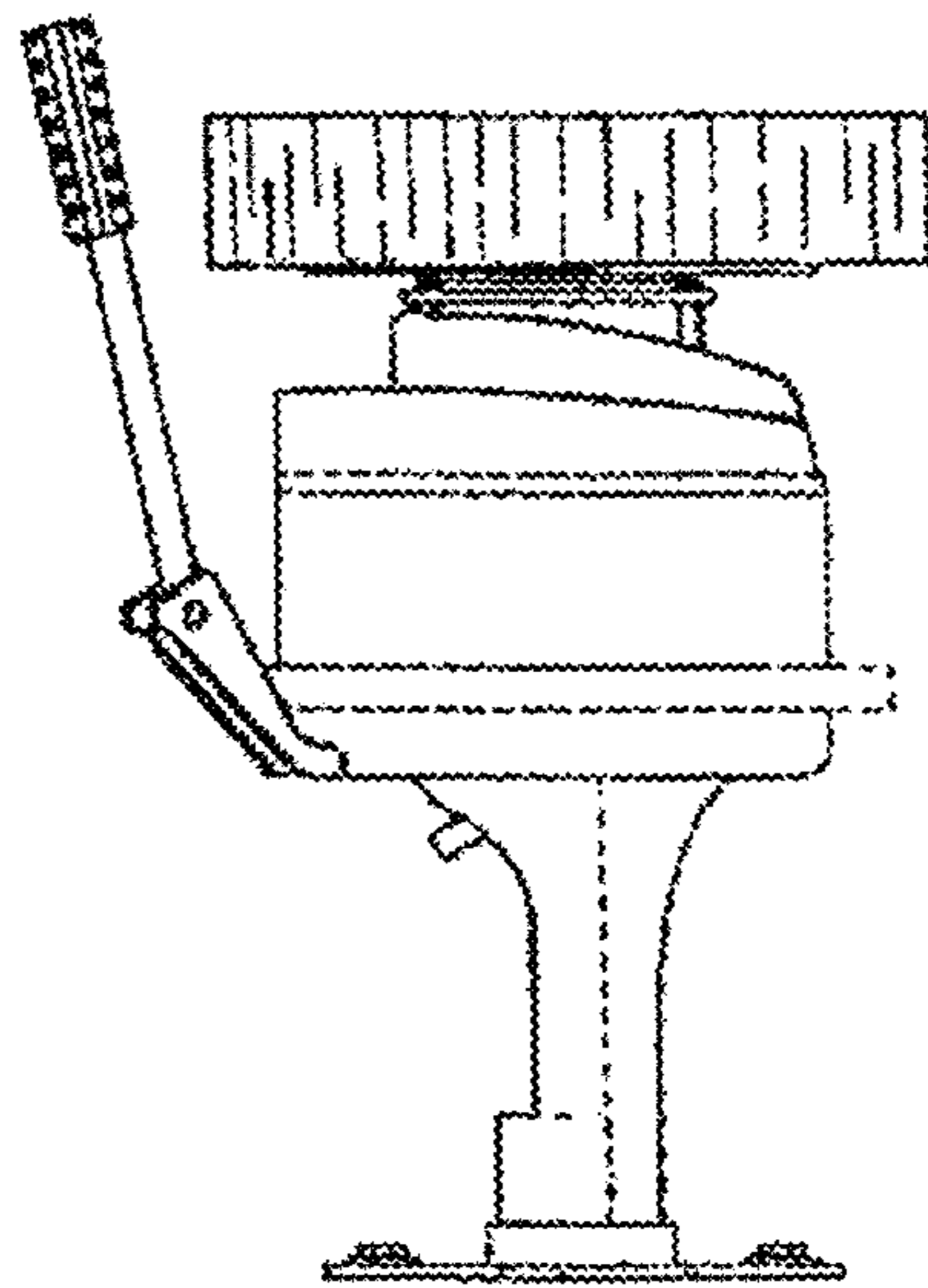


FIG. 4

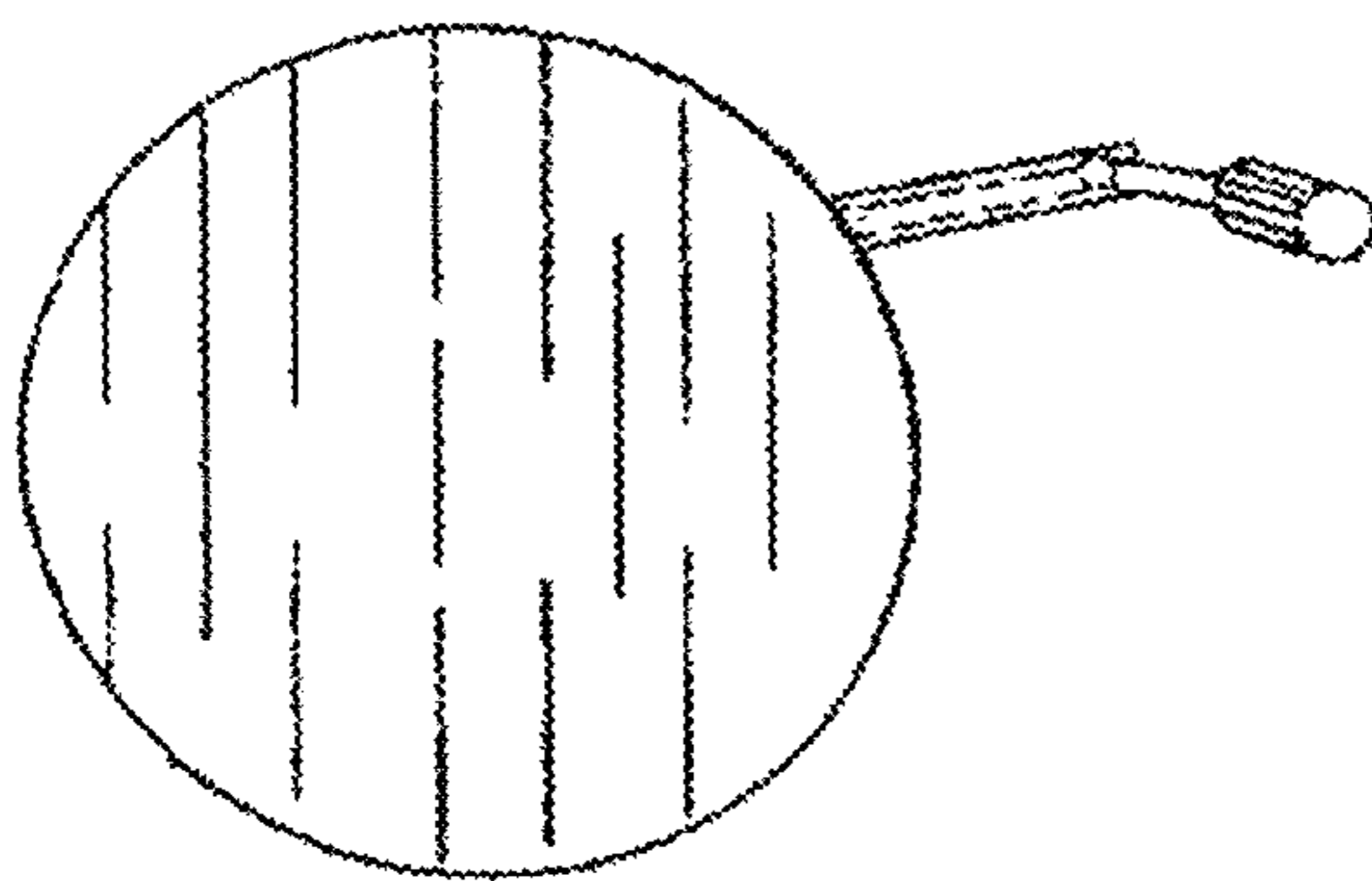


FIG. 5

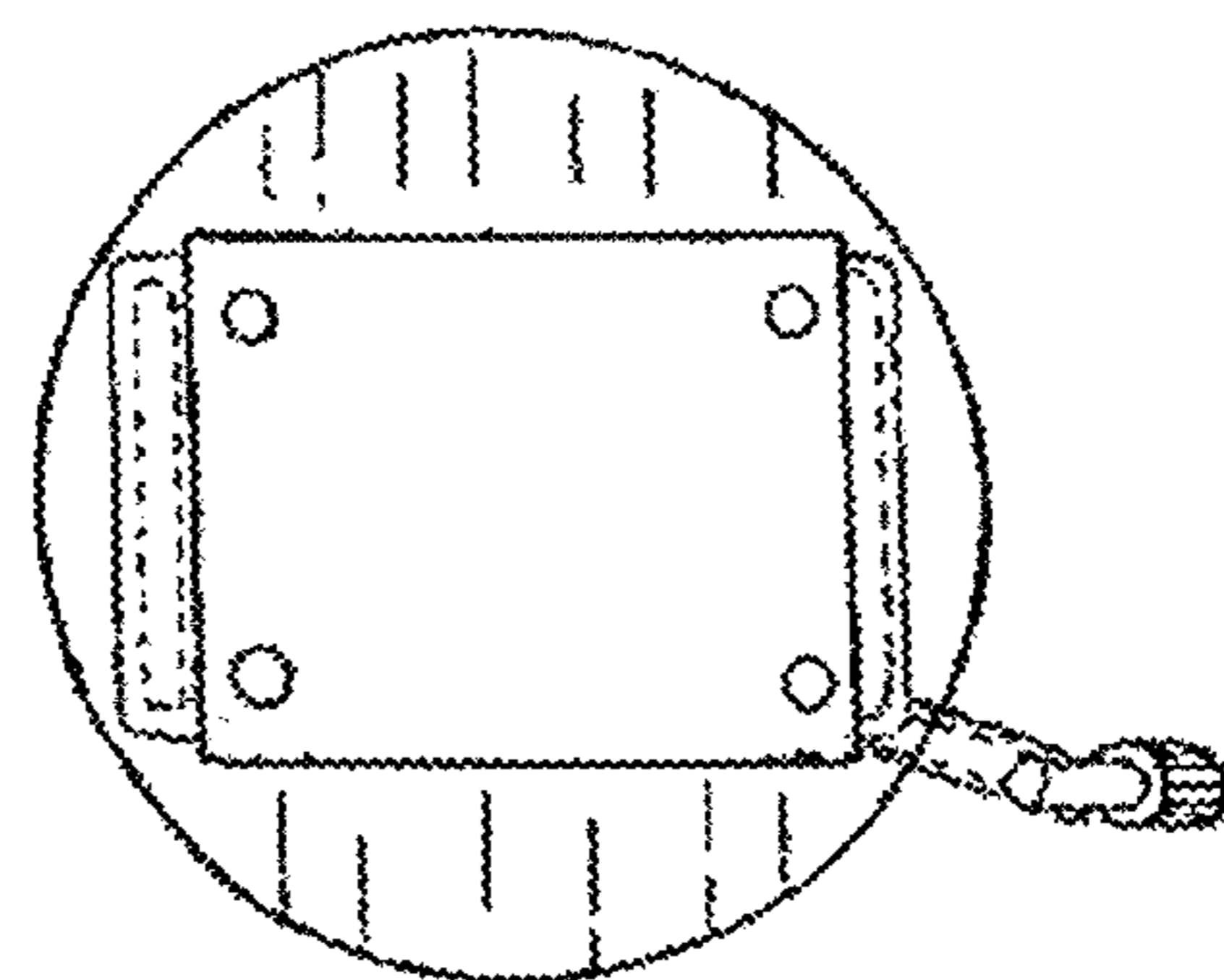


FIG. 6

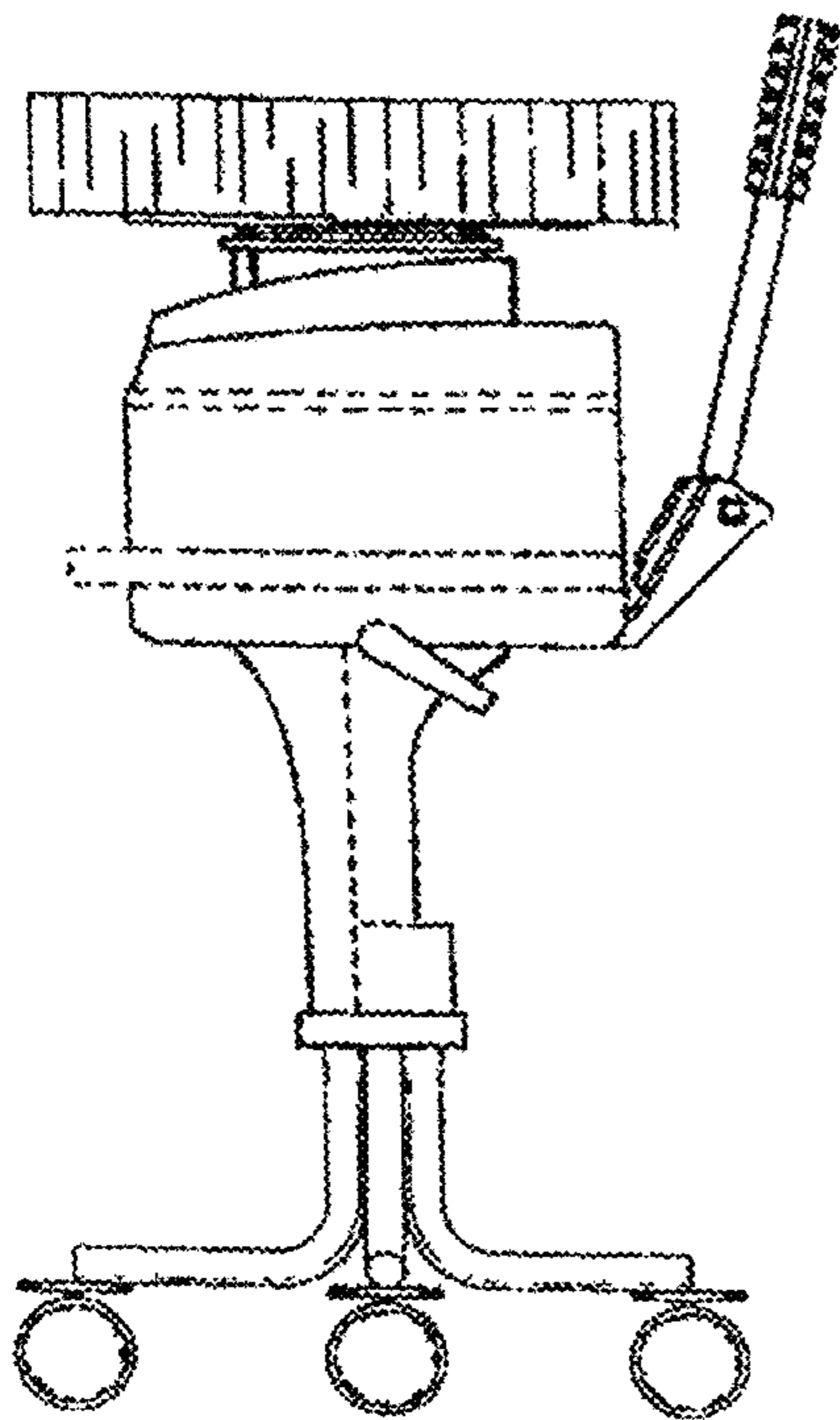


FIG. 7

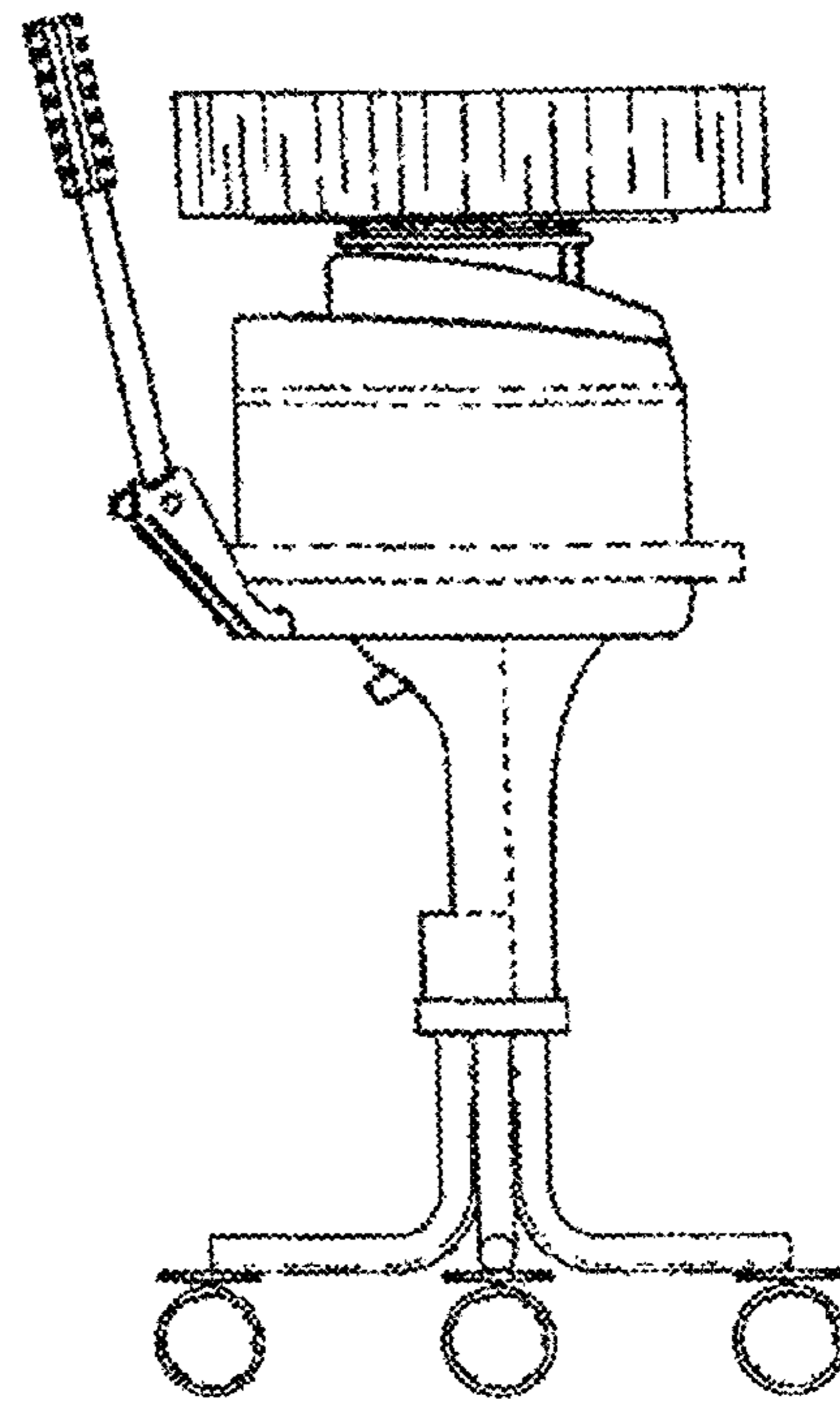


FIG. 8

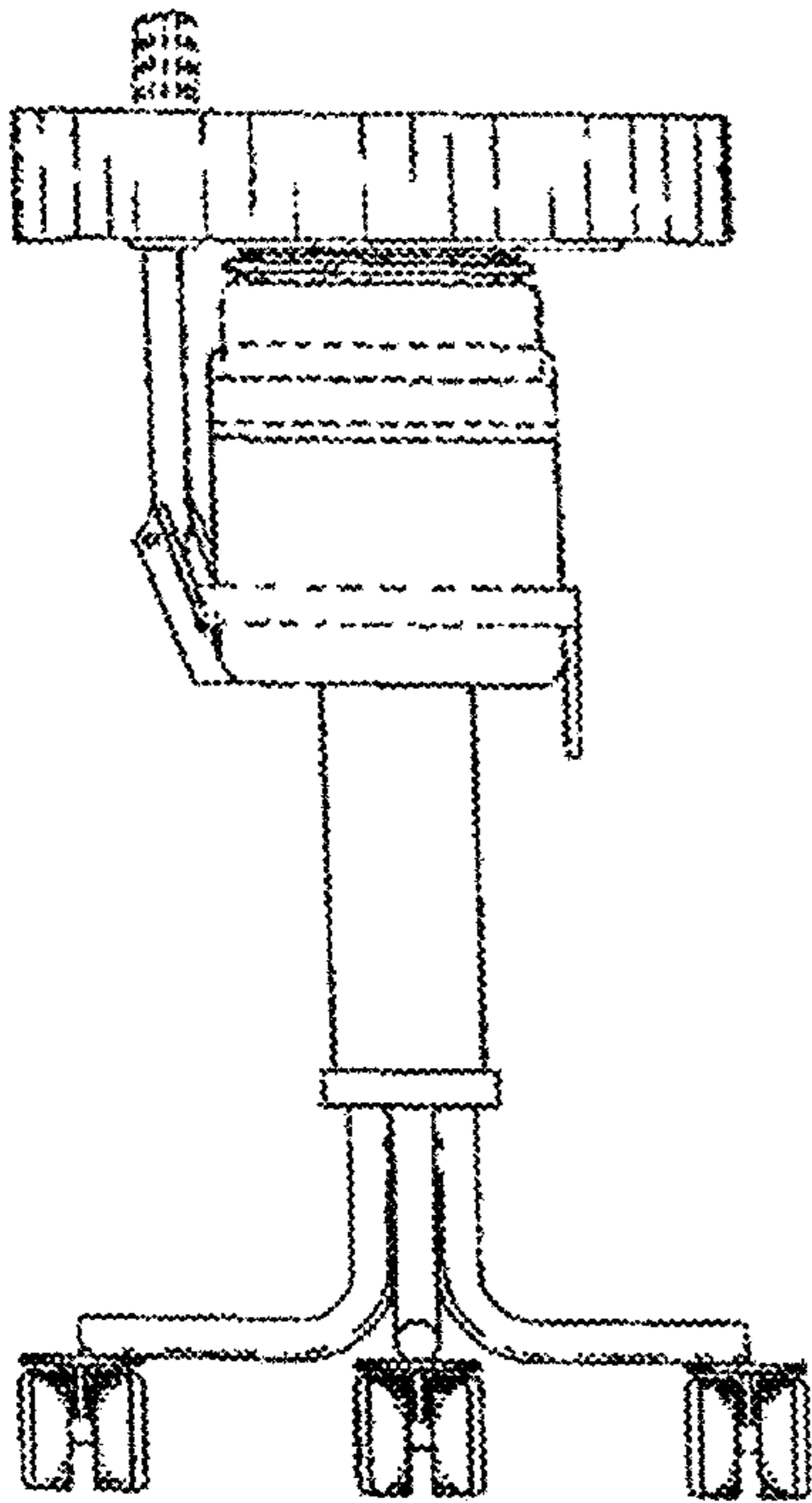


FIG. 9

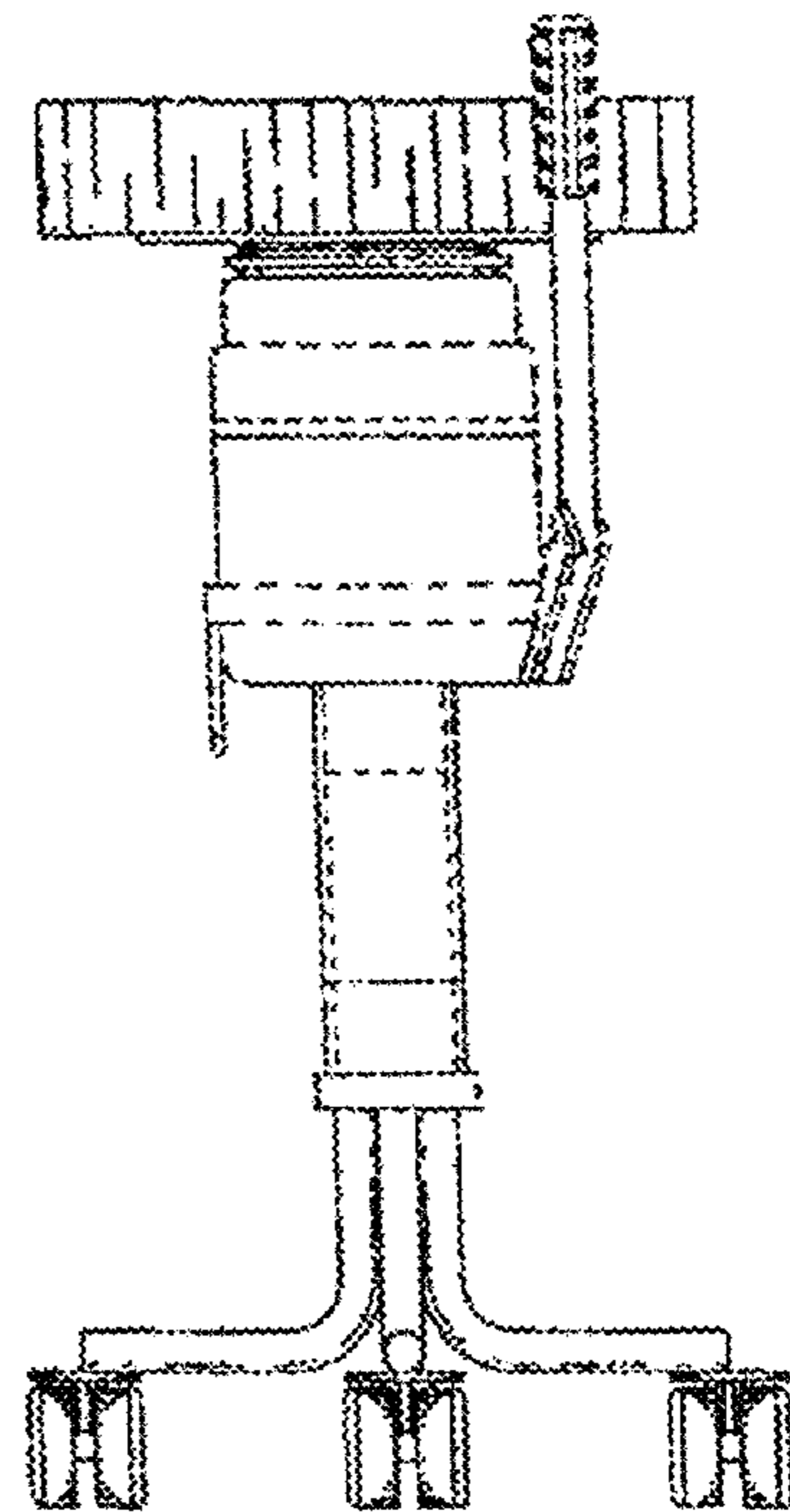


FIG. 10

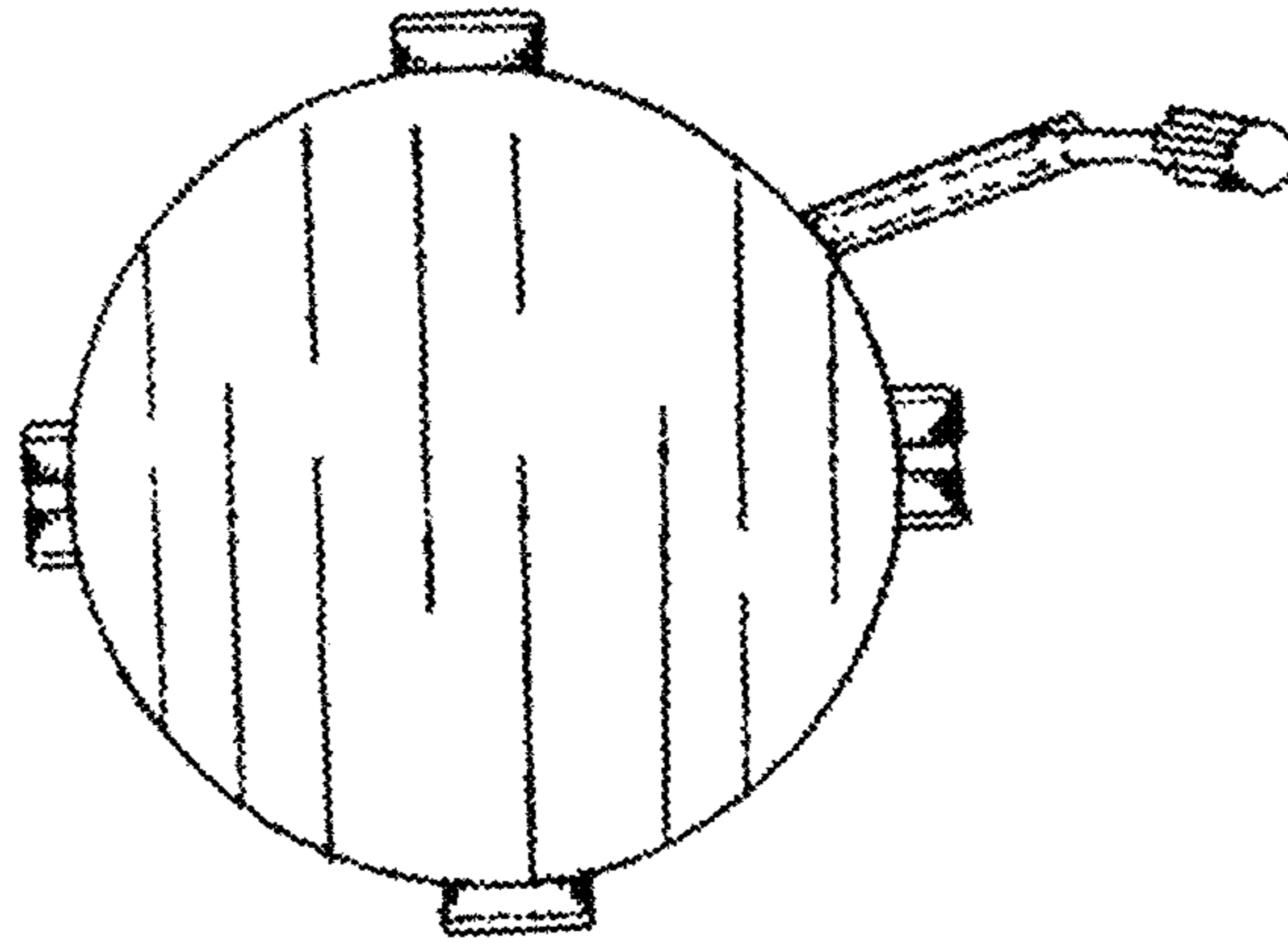


FIG. 11

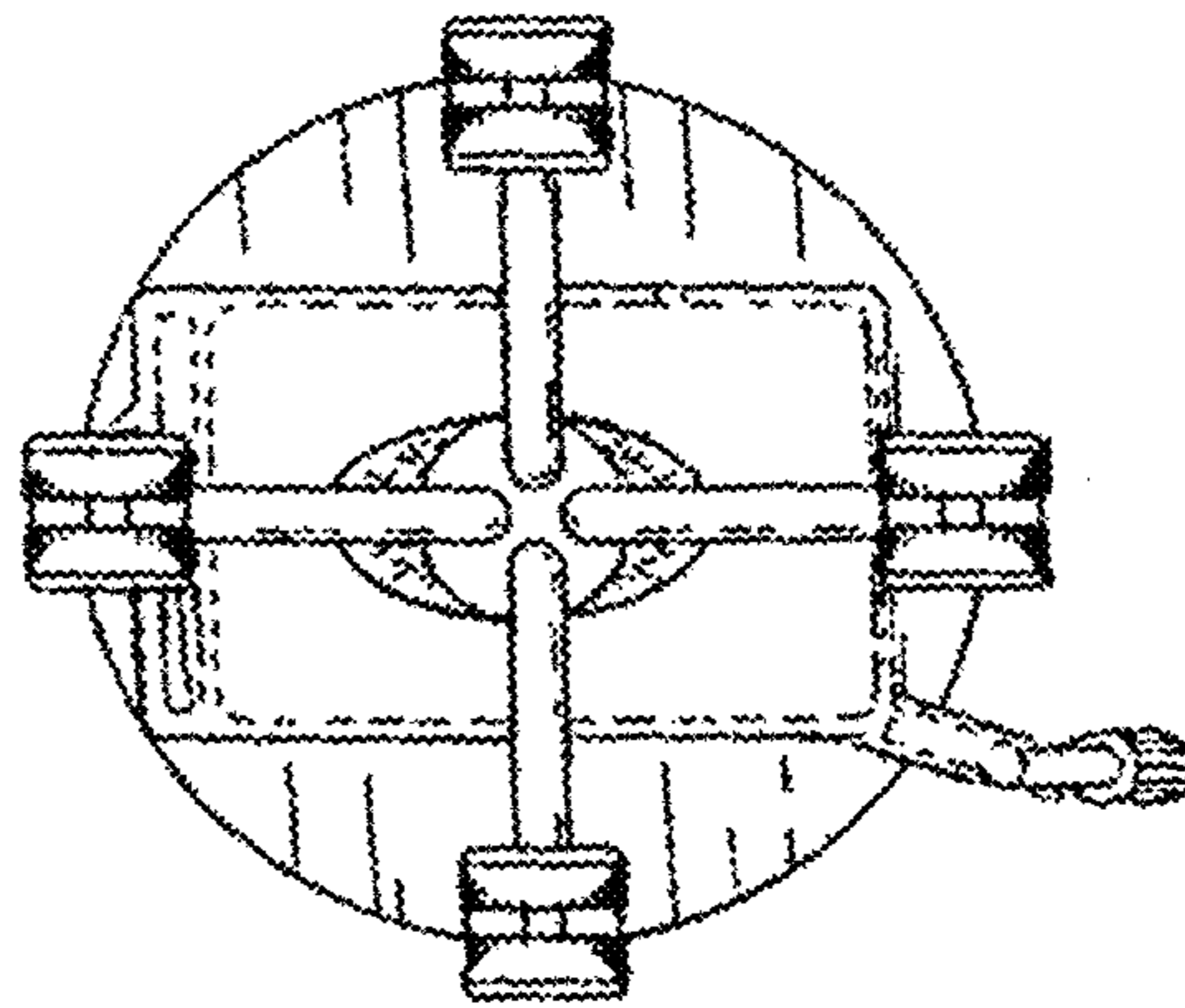


FIG. 12

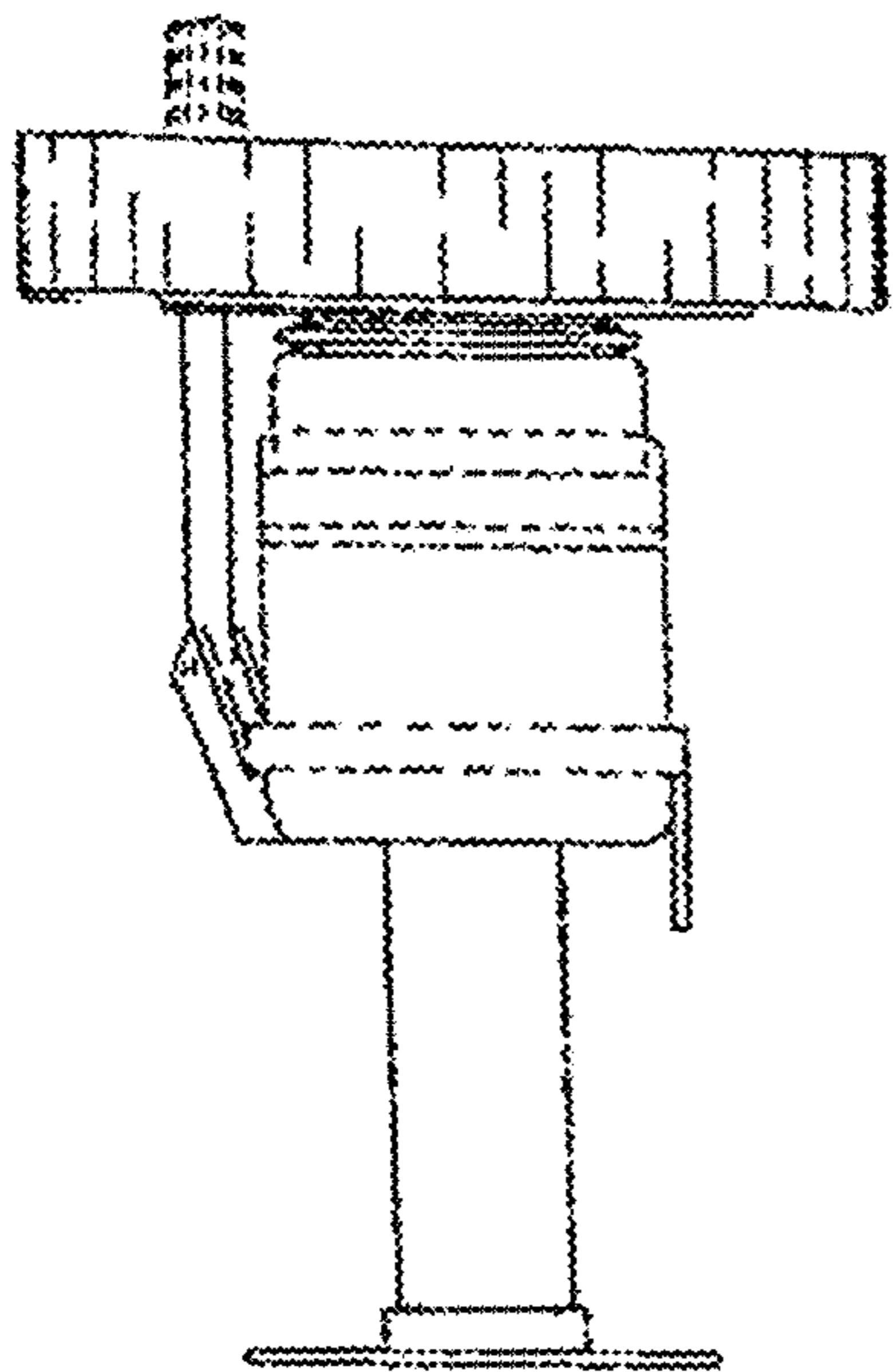


FIG. 13

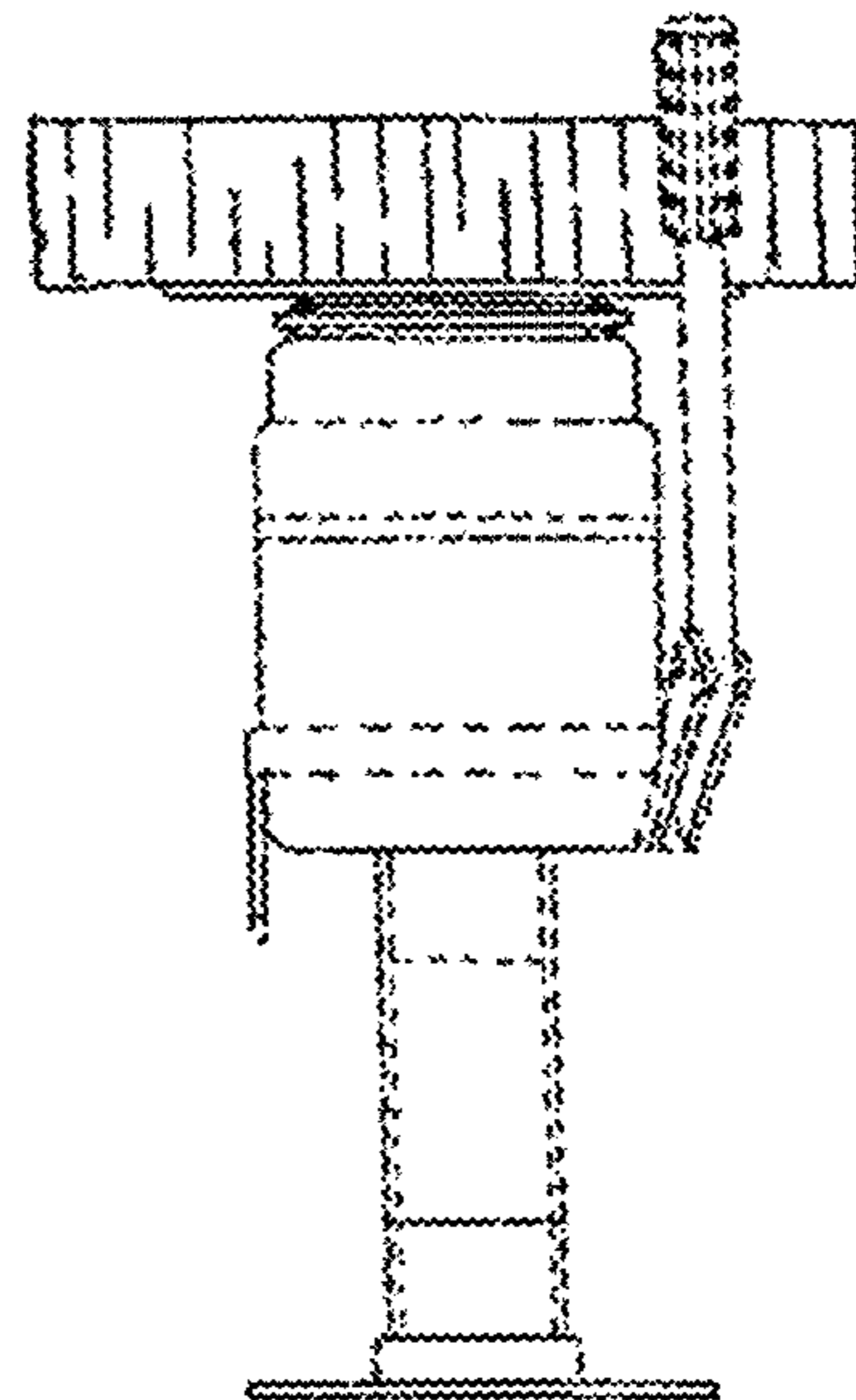


FIG. 14

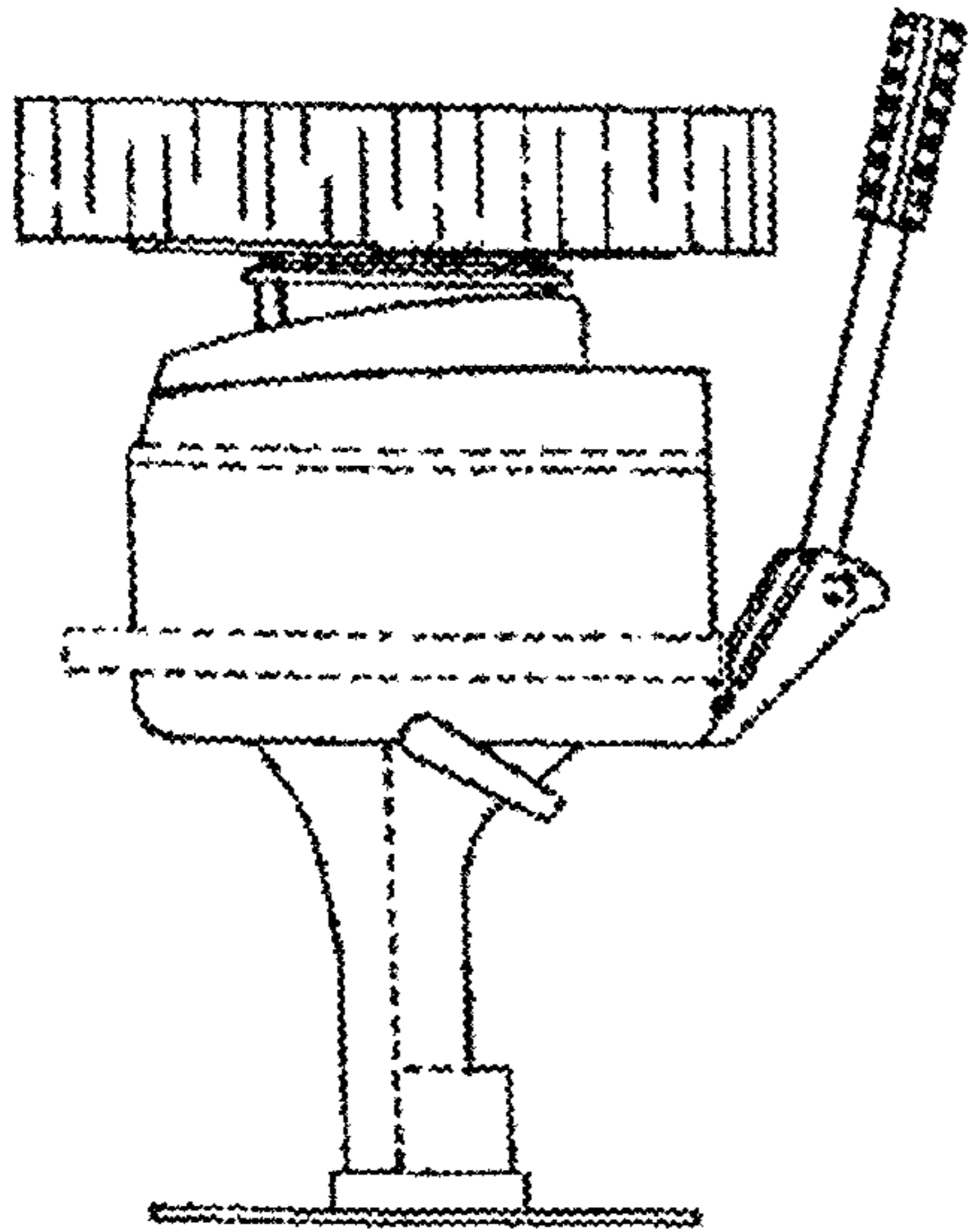


FIG. 15

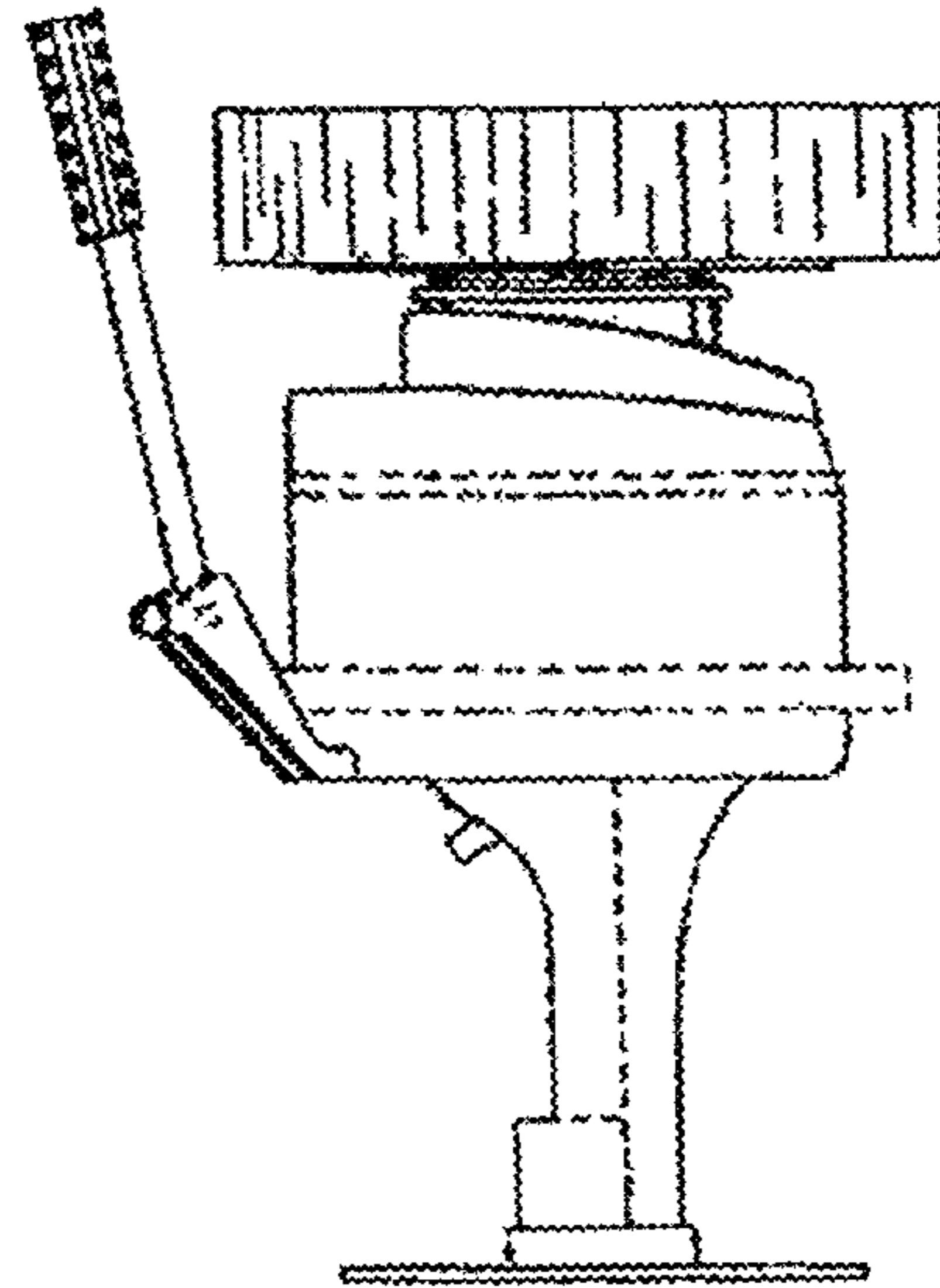


FIG. 16

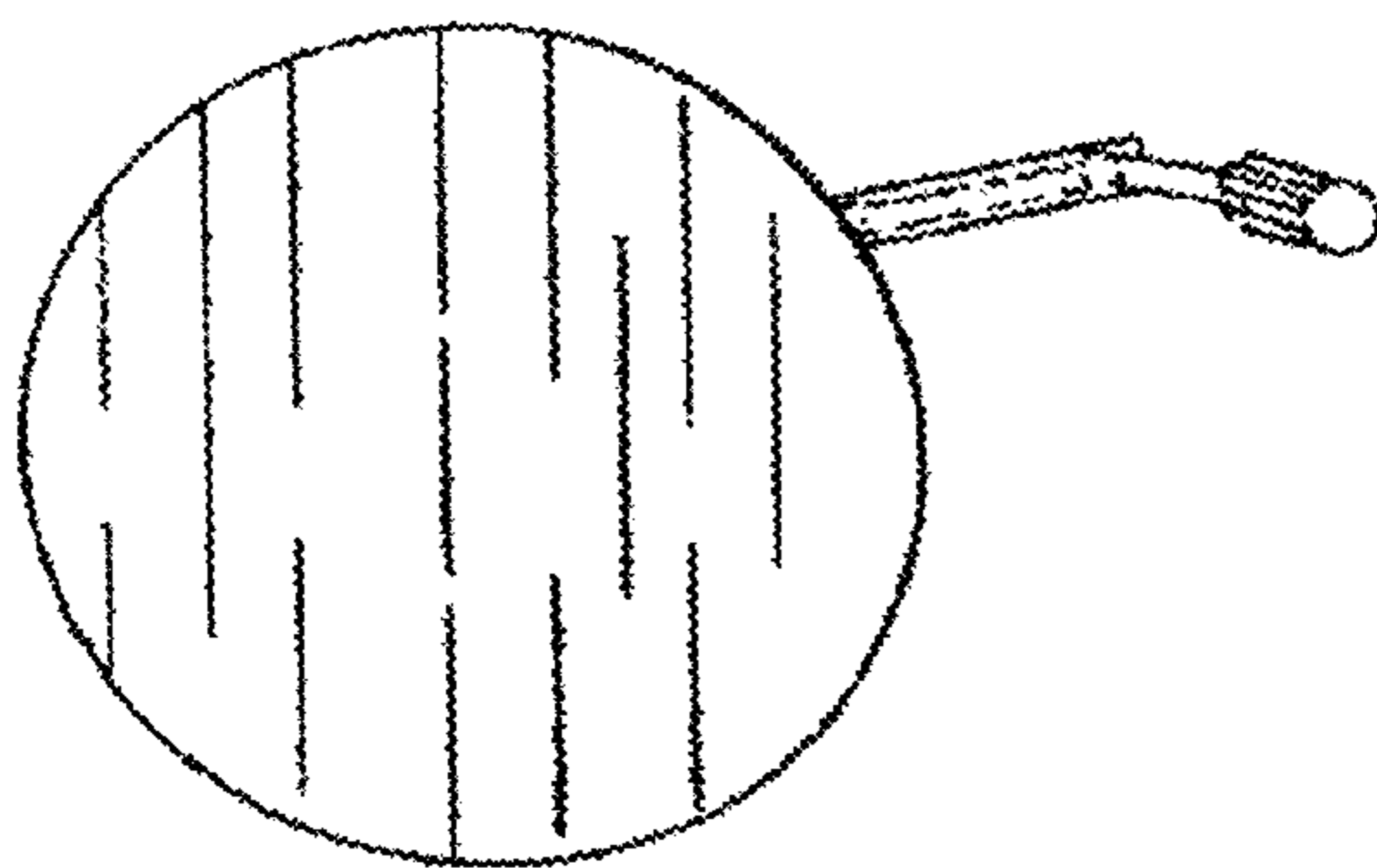


FIG. 17

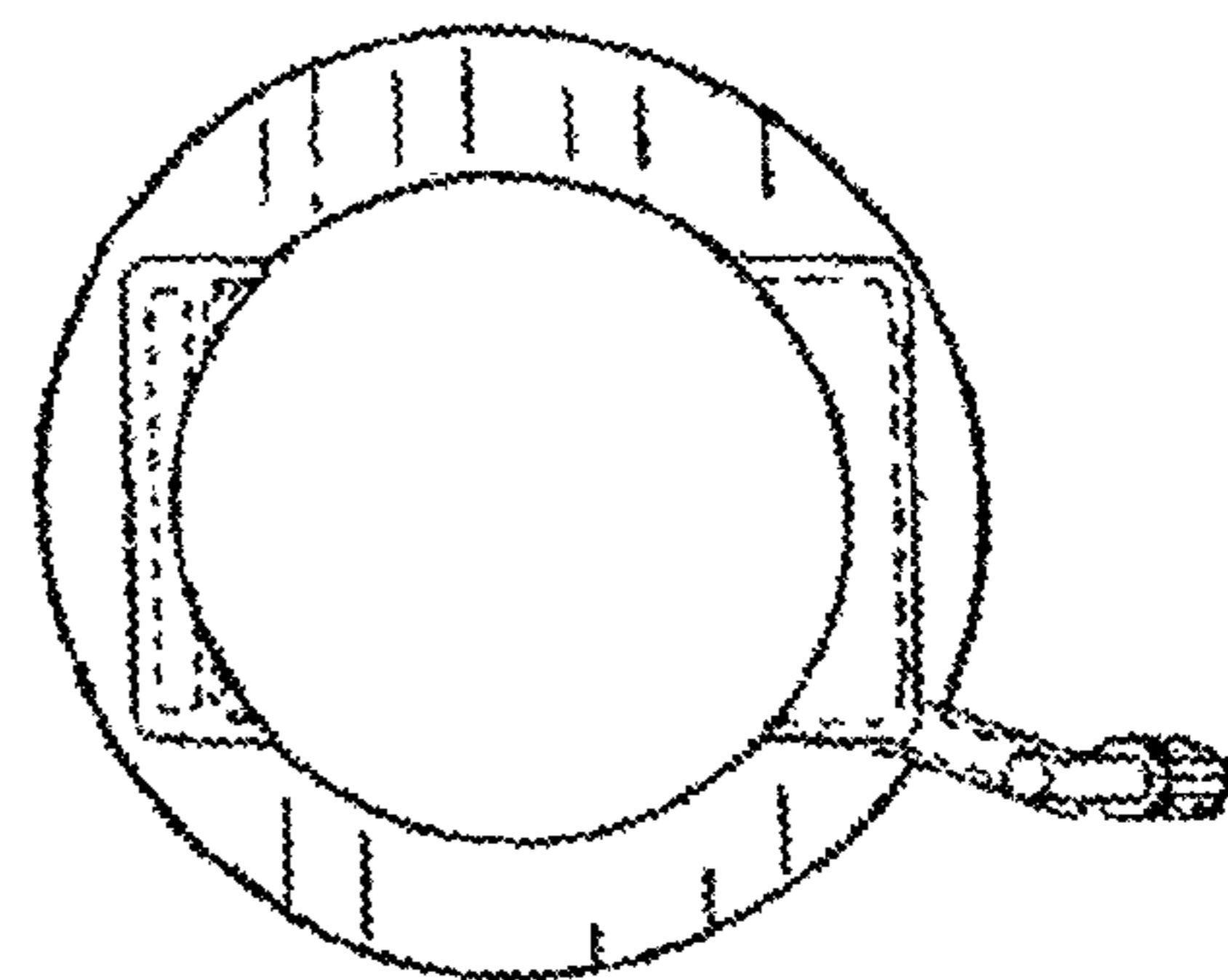


FIG. 18