



US00D753945S

(12) **United States Design Patent**
Johnson et al.

(10) **Patent No.:** **US D753,945 S**
(45) **Date of Patent:** **** Apr. 19, 2016**

(54) **CHAIR**

- (71) Applicant: **LIFETIME PRODUCTS, INC.,**
Clearfield, UT (US)
- (72) Inventors: **Mitch Johnson**, South Weber, UT (US);
Jay Calkin, Layton, UT (US); **Frank Clegg**, Fruit Heights, UT (US); **Wendell Peery**, Kaysville, UT (US)
- (73) Assignee: **LIFETIME PRODUCTS, INC.,**
Clearfield, UT (US)
- (**) Term: **15 Years**
- (21) Appl. No.: **29/543,294**
- (22) Filed: **Oct. 22, 2015**

Related U.S. Application Data

- (63) Continuation of application No. 14/089,461, filed on Nov. 25, 2013.
- (51) **LOC (10) Cl.** **06-01**
- (52) **U.S. Cl.**
USPC **D6/716; D6/375**
- (58) **Field of Classification Search**
USPC D6/334-336, 371, 372, 373, 375, 379,
D6/380, 716, 716.1, 716.2, 716.3, 716.4
CPC A47C 3/04; A47C 4/02; A47C 4/03;
A47C 3/12; A47C 5/12; B60N 2/686
See application file for complete search history.

(56) **References Cited**

U.S. PATENT DOCUMENTS

- 2,812,800 A * 11/1957 Eames A47C 3/12
297/239
- 2,893,469 A * 7/1959 Eames A47C 3/04
297/239

(Continued)

FOREIGN PATENT DOCUMENTS

- EP 586720 3/1994
- GB 2236244 4/1991

OTHER PUBLICATIONS

U.S. Appl. No. 14/089,461, filed Nov. 25, 2013, Johnson.
(Continued)

Primary Examiner — Mimoso De

(74) *Attorney, Agent, or Firm* — Maschoff Brennan

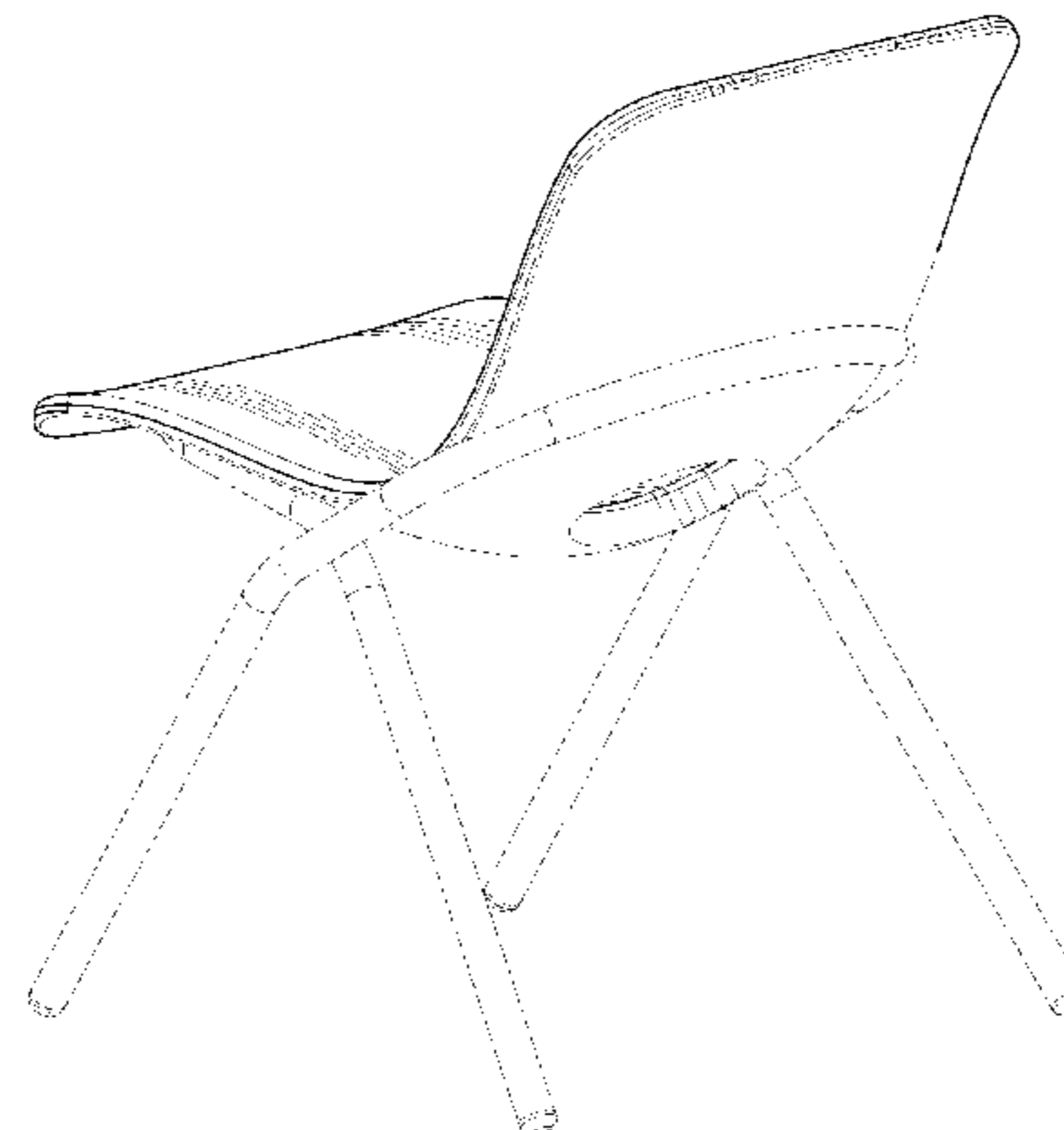
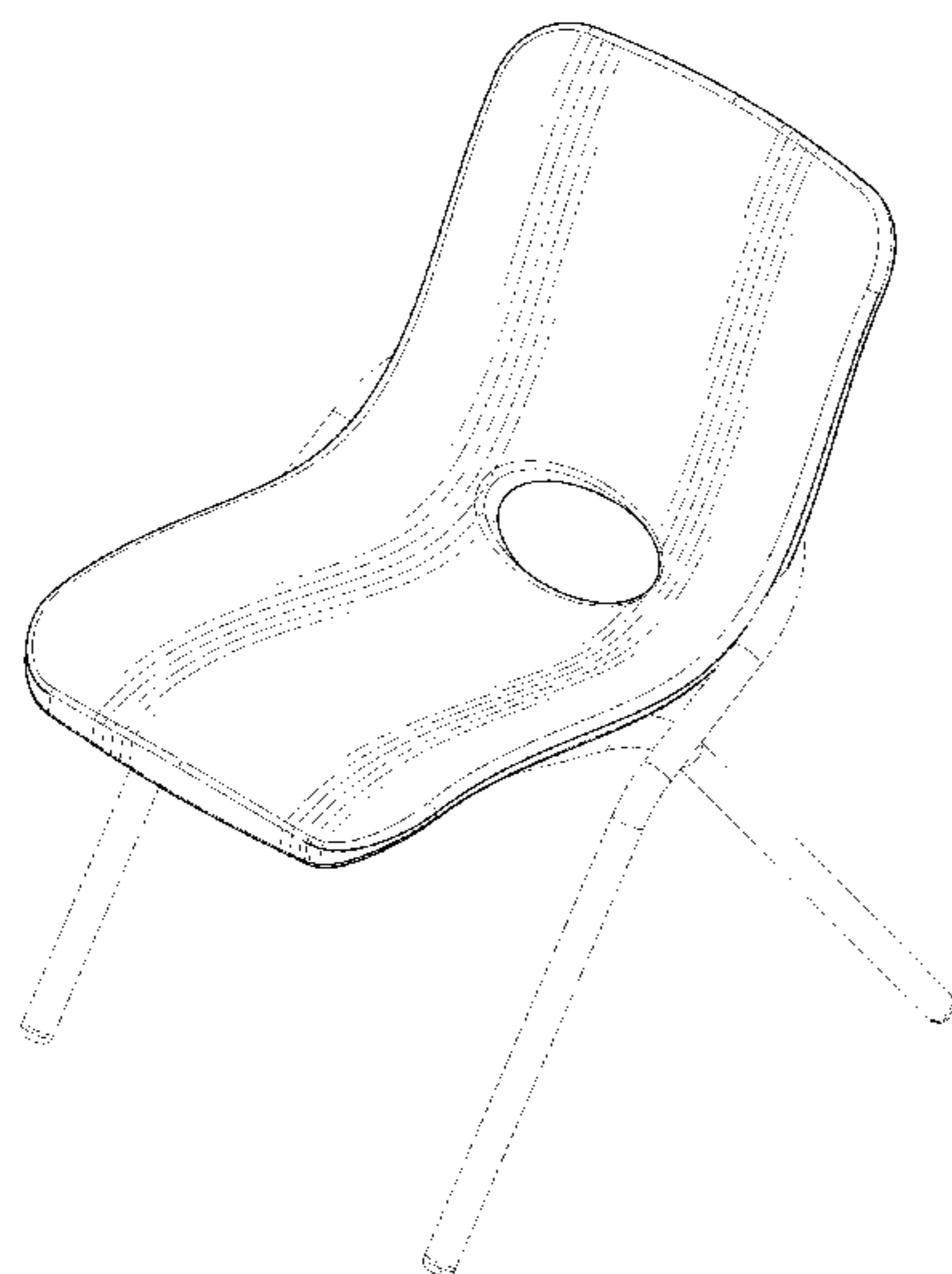
(57) **CLAIM**

The ornamental design for a chair, as shown and described.

DESCRIPTION

FIG. 1 is a front upper perspective view of an embodiment of a chair;
 FIG. 2 is a rear upper perspective view of the chair shown in FIG. 1;
 FIG. 3 is a front view of the chair shown in FIG. 1;
 FIG. 4 is a rear view of the chair shown in FIG. 1;
 FIG. 5 is a left side view of the chair shown in FIG. 1;
 FIG. 6 is a right side view of the chair shown in FIG. 1;
 FIG. 7 is a top view of the chair shown in FIG. 1;
 FIG. 8 is a bottom view of the chair shown in FIG. 1;
 FIG. 9 is a front upper perspective view of another embodiment of a chair;
 FIG. 10 is a rear upper perspective view of the chair shown in FIG. 9;
 FIG. 11 is a front view of the chair shown in FIG. 9;
 FIG. 12 is a rear view of the chair shown in FIG. 9;
 FIG. 13 is a left side view of the chair shown in FIG. 9;
 FIG. 14 is a right side view of the chair shown in FIG. 9;
 FIG. 15 is a top view of the chair shown in FIG. 9; and,
 FIG. 16 is a bottom view of the chair shown in FIG. 9.
 The broken lines shown in the figures are for illustrative purposes only and form no part of the claimed design.

1 Claim, 16 Drawing Sheets



(56)

References Cited

U.S. PATENT DOCUMENTS

2,999,662 A * 9/1961 Lappin A47C 3/12
297/445.1
3,201,172 A * 8/1965 Bliss A47C 3/12
297/239
D202,550 S * 10/1965 Kramer 297/452.12
3,261,640 A * 7/1966 Straits A47C 3/12
297/248
3,264,034 A * 8/1966 Lawson A47C 3/12
297/452.57
3,275,371 A 9/1966 Rowland
3,708,202 A 1/1973 Barecki et al.
4,304,436 A 12/1981 Rowland
5,002,337 A 3/1991 Engel et al.
D360,083 S * 7/1995 Lohmeyer D6/375
5,599,068 A 2/1997 Kelly et al.
5,860,697 A 1/1999 Fewchuk
6,082,822 A 7/2000 Kelly et al.
6,206,469 B1 3/2001 Caruso et al.
D443,429 S 6/2001 Mower et al.
D466,712 S 12/2002 Haney et al.
D472,064 S 3/2003 Haney et al.
D472,723 S 4/2003 Haney et al.
D472,745 S 4/2003 Haney et al.
D473,059 S 4/2003 Haney et al.
6,543,842 B2 4/2003 Haney
D477,470 S 7/2003 Haney et al.
D477,926 S 8/2003 Haney et al.
D477,939 S 8/2003 Haney et al.

D481,550 S 11/2003 Astle
D482,540 S 11/2003 Ashby
D482,543 S 11/2003 Haney et al.
D489,192 S 5/2004 Jin et al.
D498,071 S 11/2004 Ashby et al.
6,871,906 B2 3/2005 Haney
D507,425 S 7/2005 Ashby et al.
D508,339 S 8/2005 Astle
7,014,261 B2 3/2006 Haney
7,017,986 B2 3/2006 Degen et al.
D519,292 S 4/2006 Ashby
D523,254 S 6/2006 Nye et al.
7,452,035 B2 11/2008 Astle et al.
D655,932 S 3/2012 Ashby et al.
D667,649 S 9/2012 Waite et al.
D686,007 S 7/2013 Johnson
D690,147 S * 9/2013 Meyer D6/375
8,678,504 B1 * 3/2014 Bakker A47C 3/12
297/452.12
D715,573 S * 10/2014 Lloyd D6/375
D727,077 S * 4/2015 Ye D6/716
D742,153 S * 11/2015 Hui D6/375

OTHER PUBLICATIONS

International Search Report and Written Opinion from PCT/US2013/071992 dated Apr. 18, 2014.

International Preliminary Report on Patentability dated Jun. 4, 2015 from PCT Application No. PCT/US2013/071992.

* cited by examiner



Fig. 1



Fig. 2

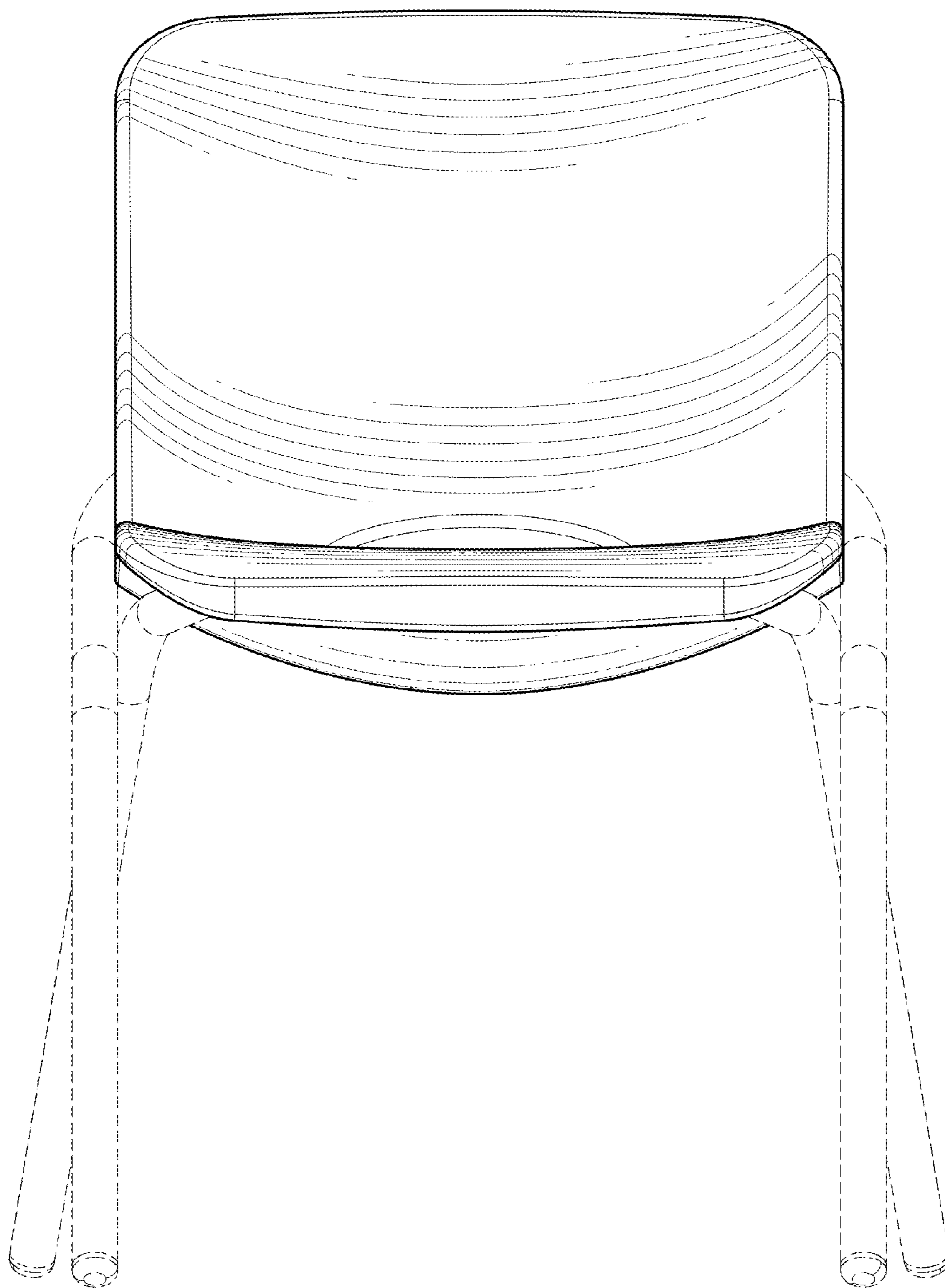


Fig. 3

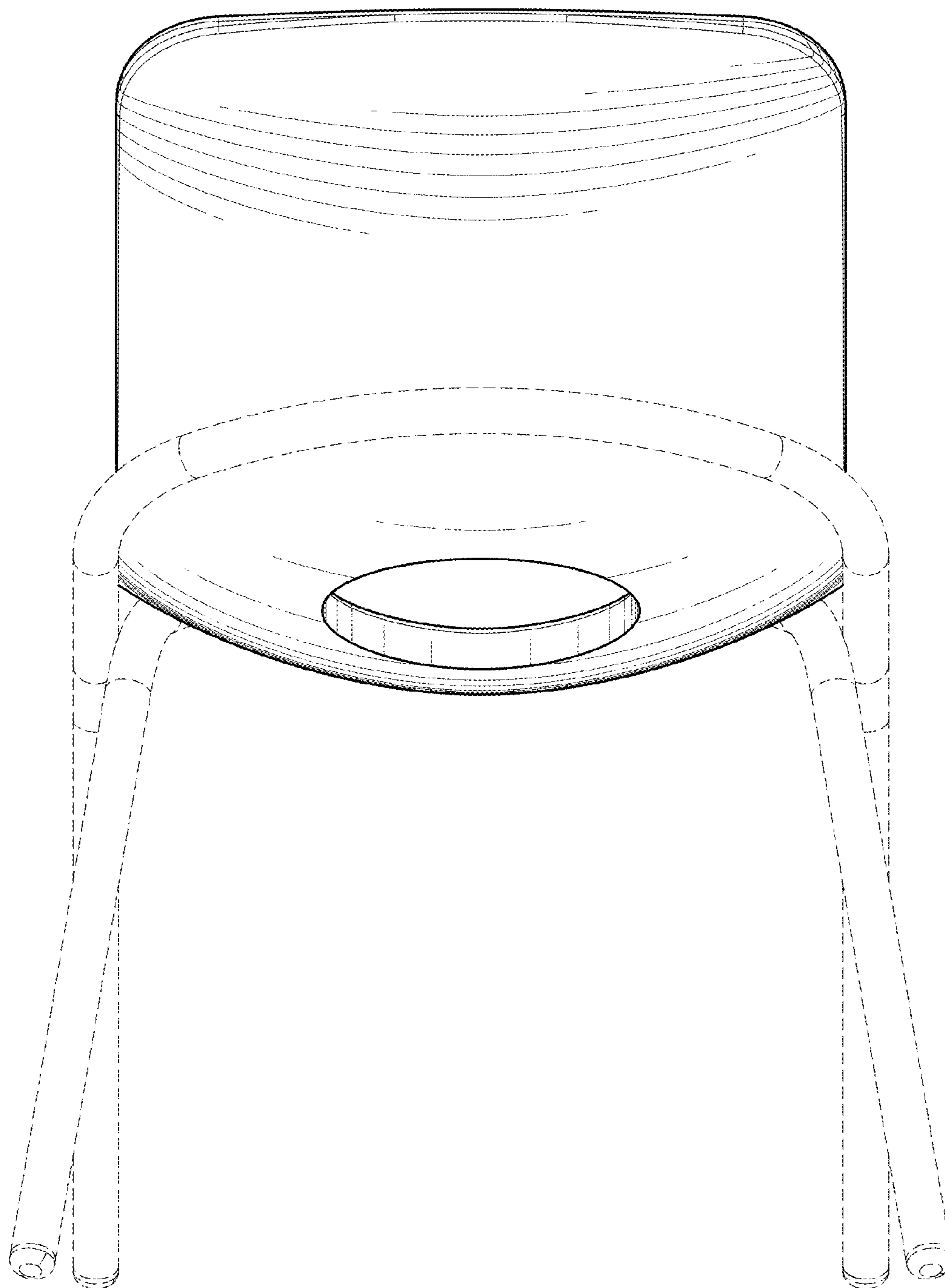


Fig. 4

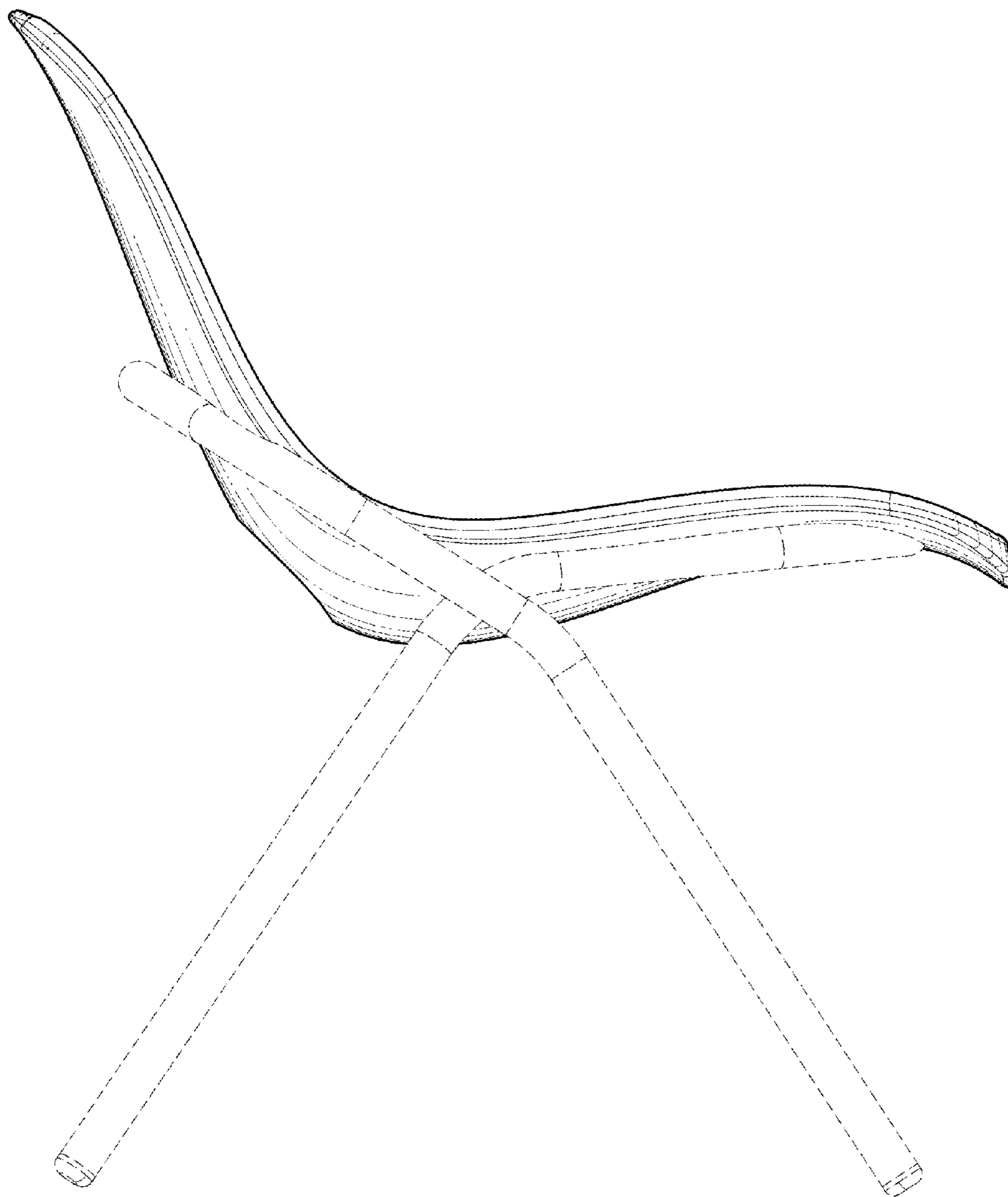


Fig. 5

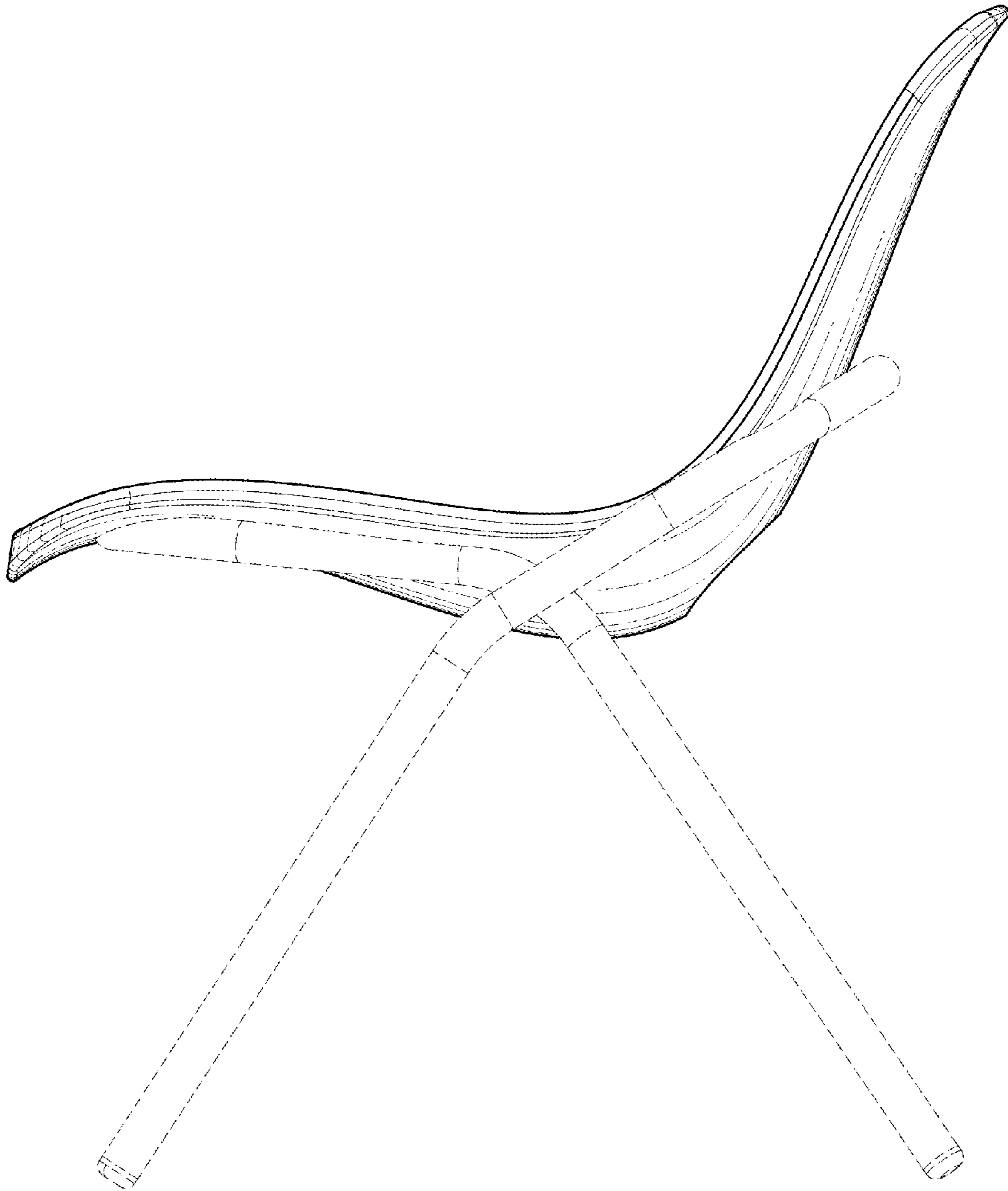


Fig. 6

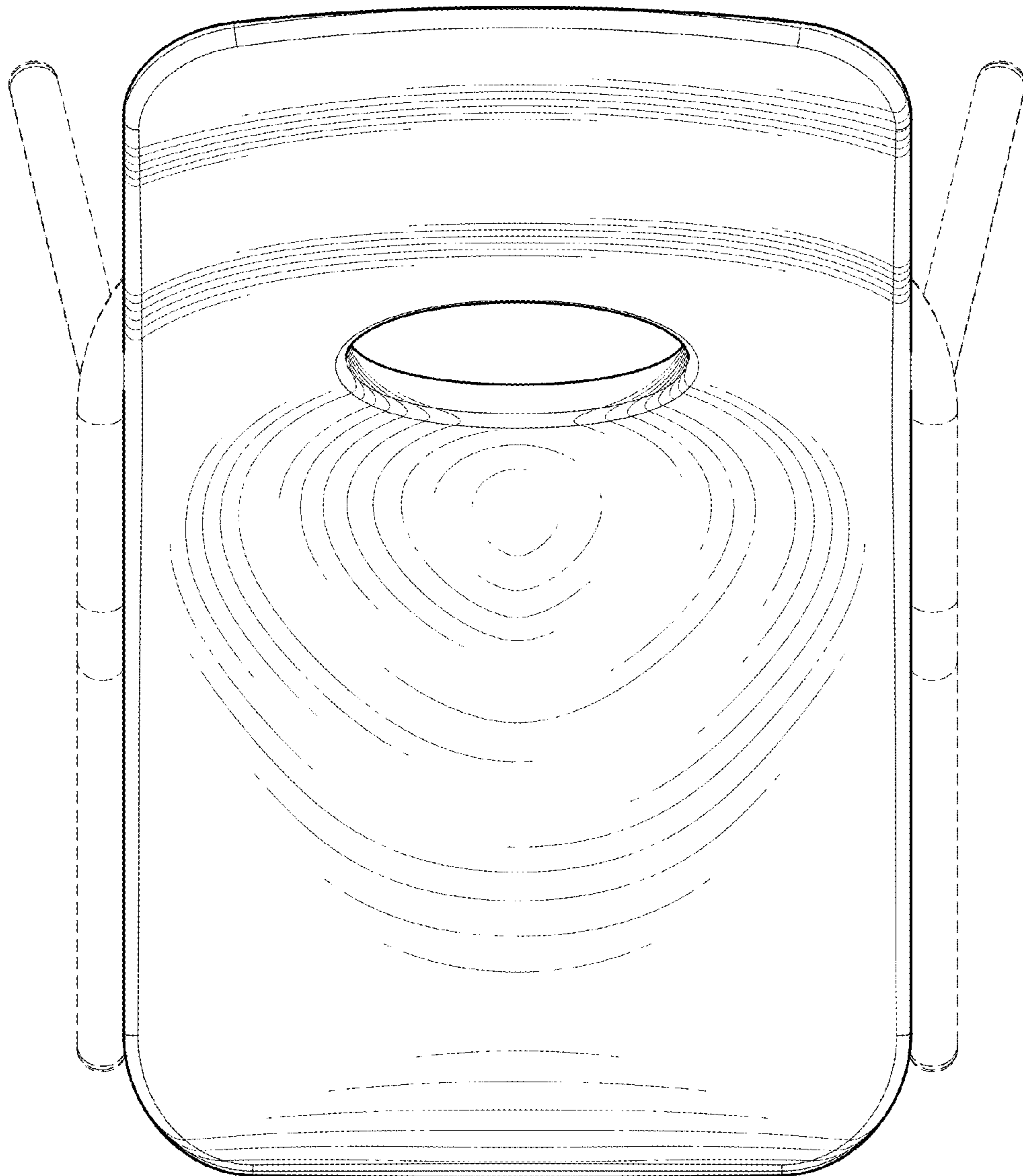


Fig. 7

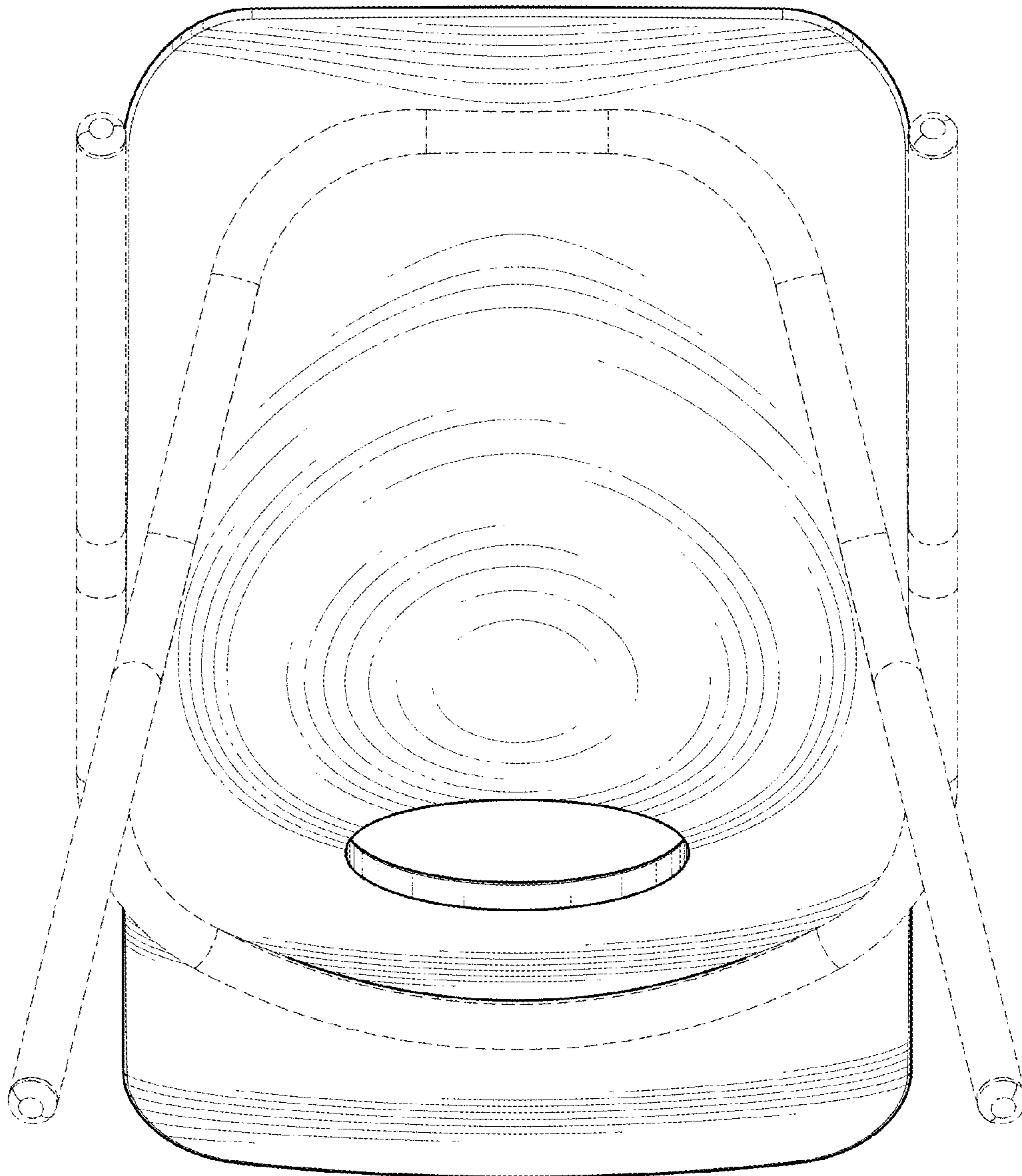


Fig. 8



Fig. 9



Fig. 10

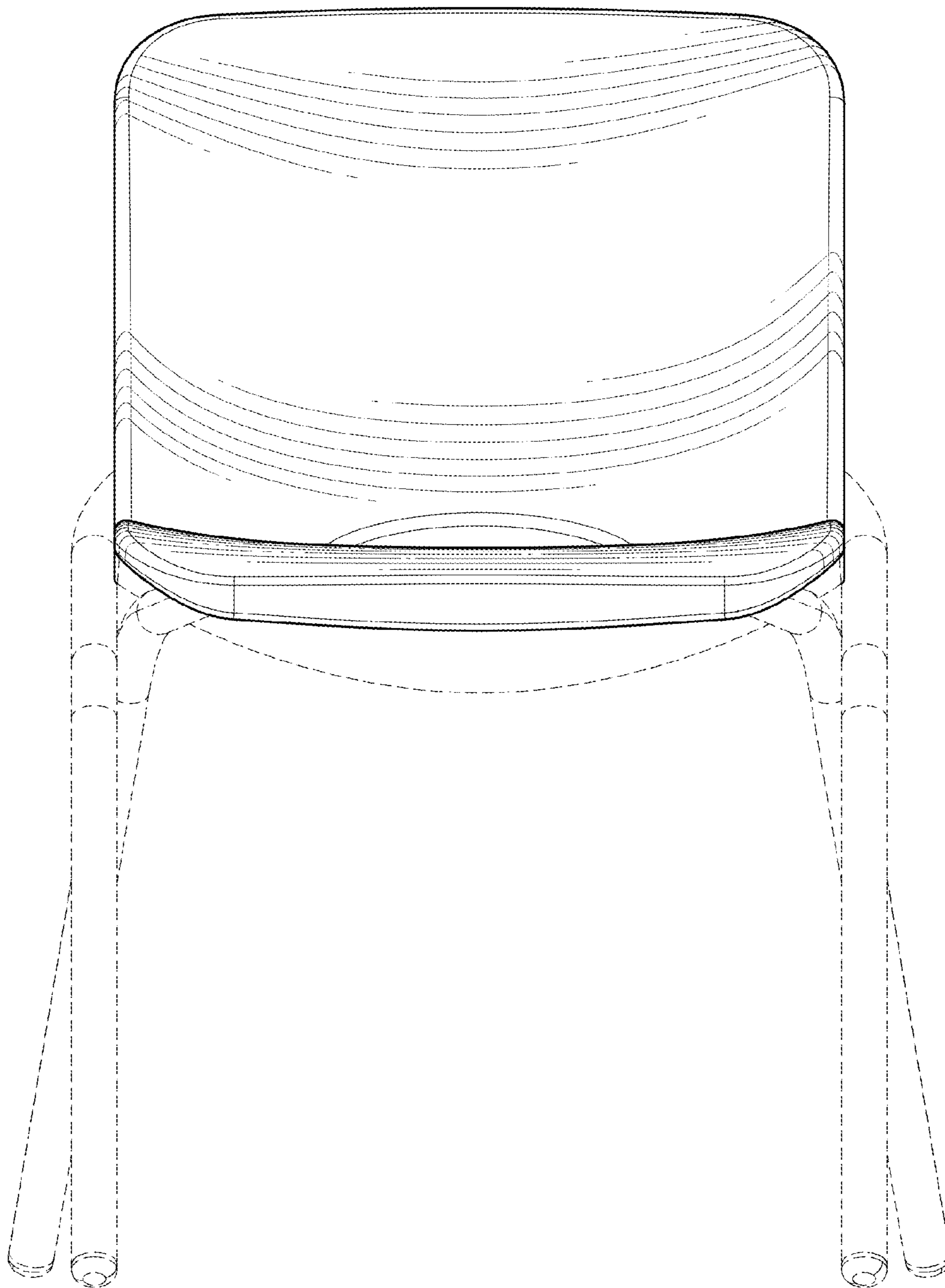


Fig. 11

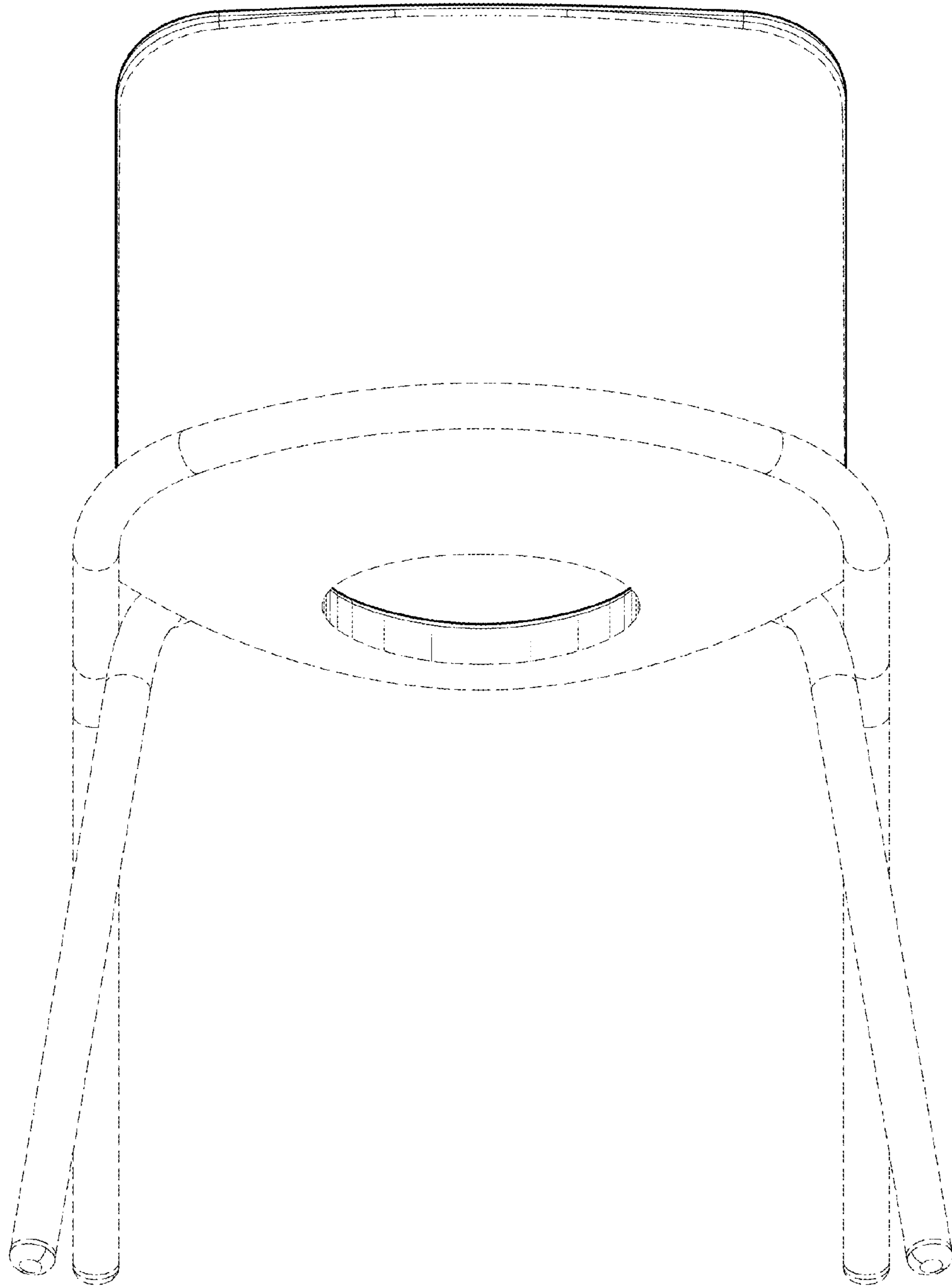


Fig. 12

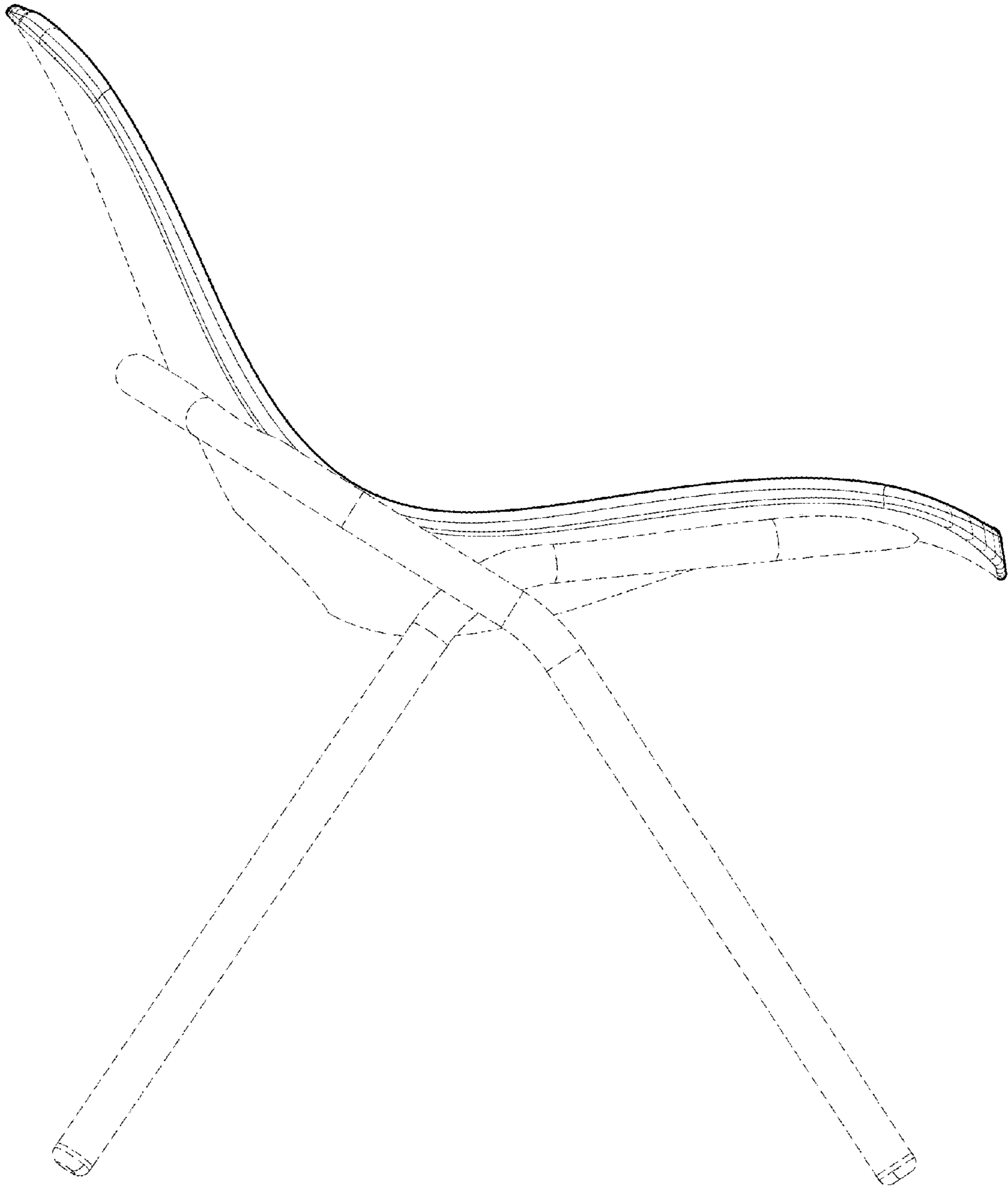


Fig. 13

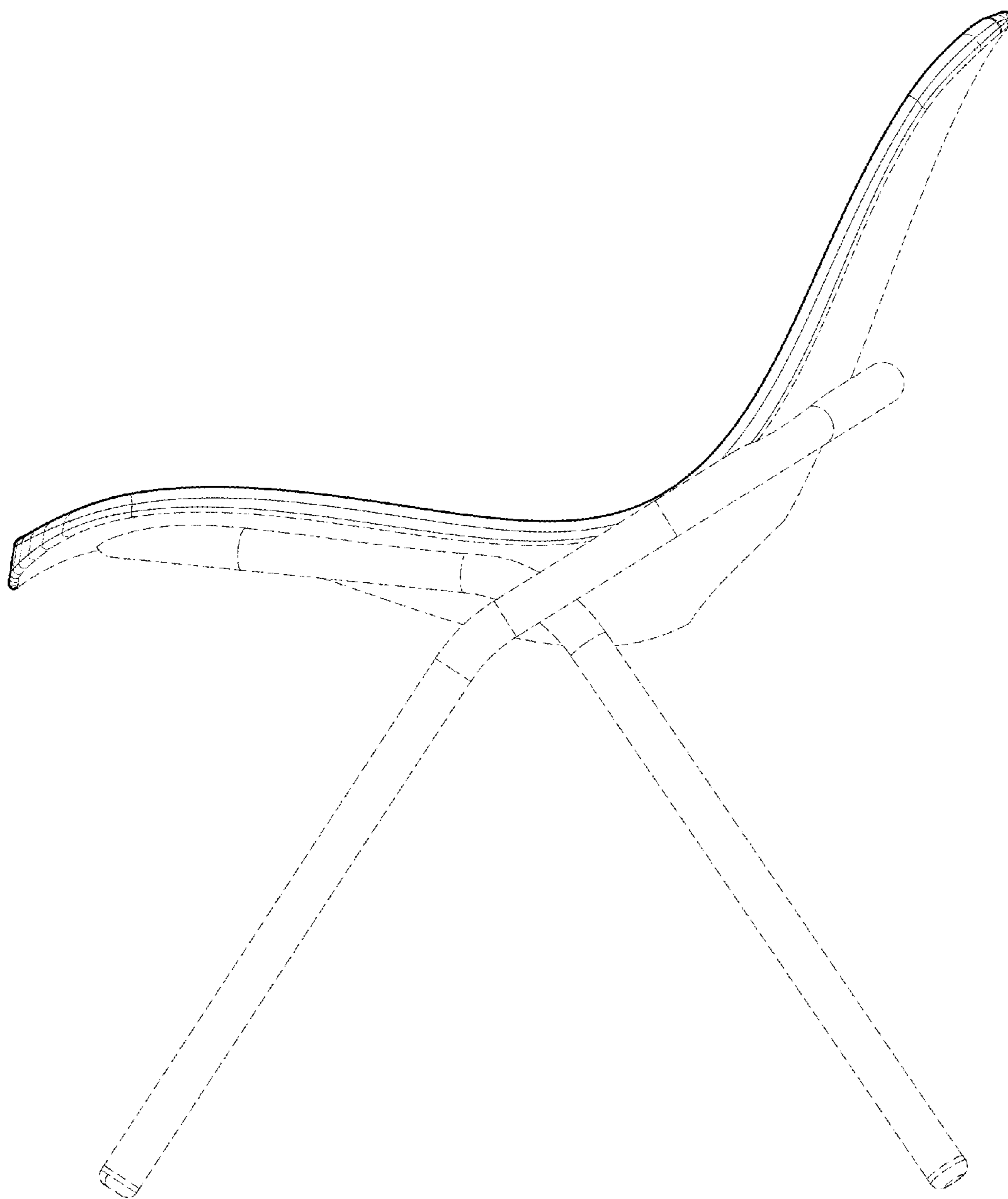


Fig. 14

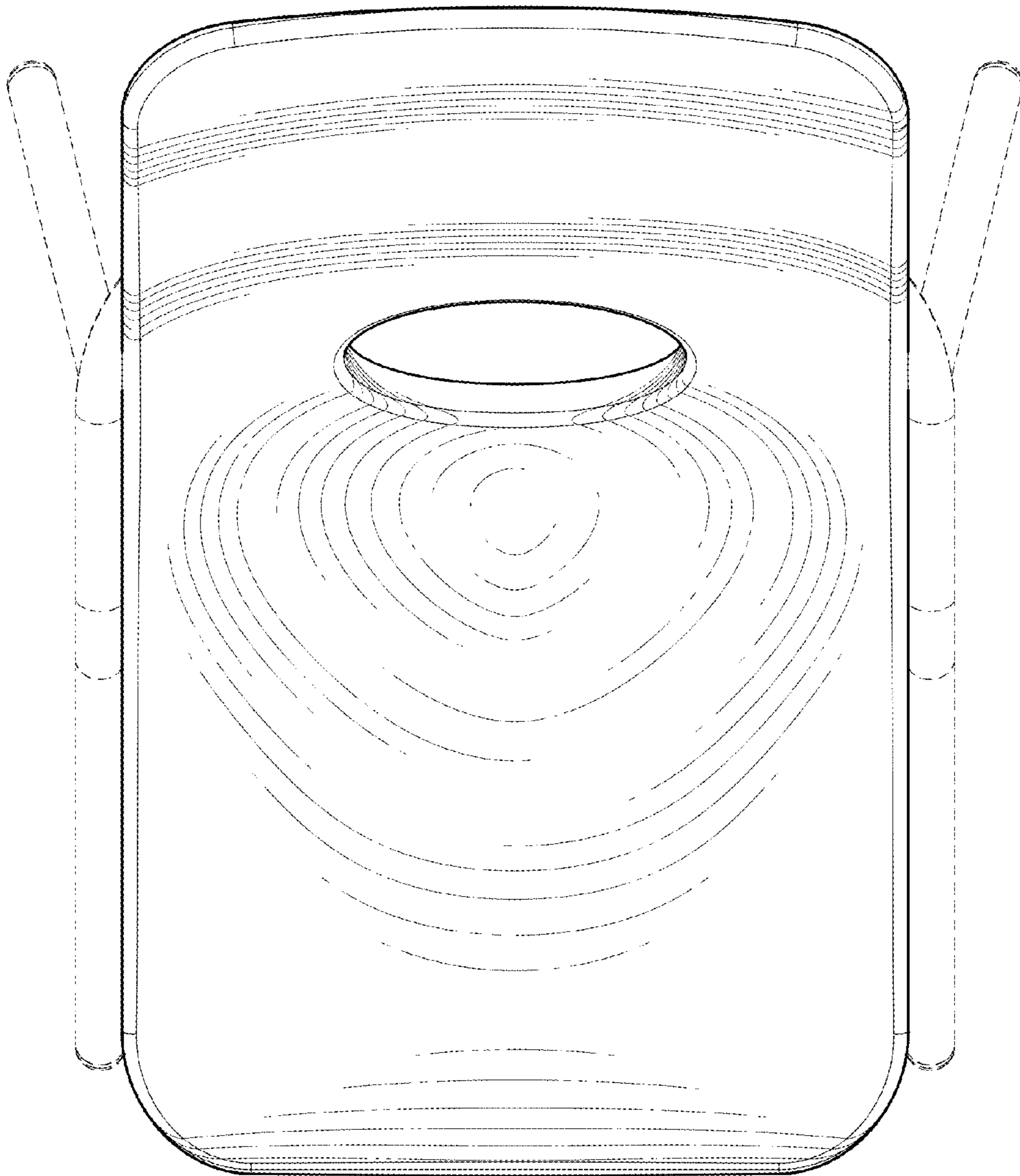


Fig. 15

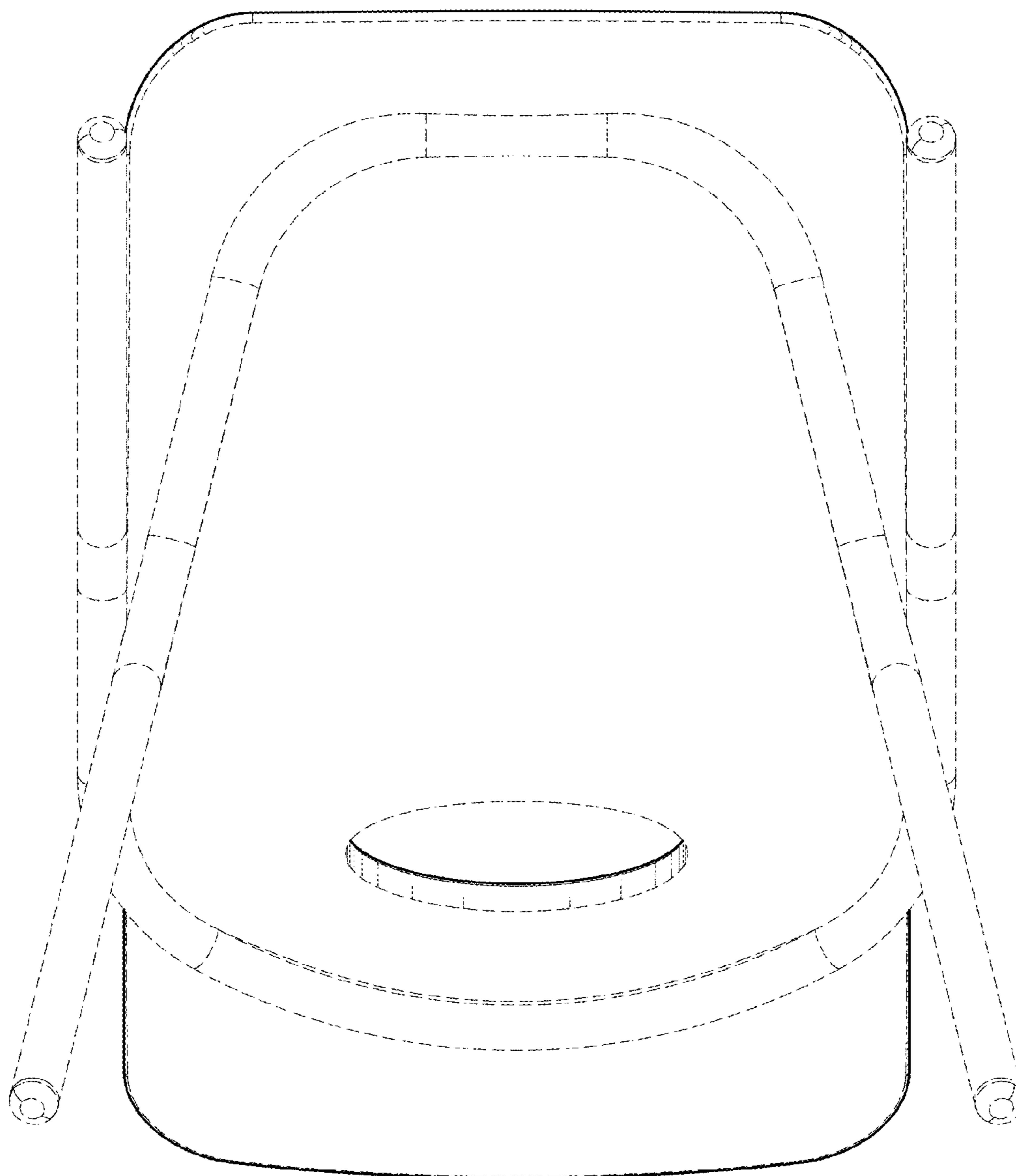


Fig. 16